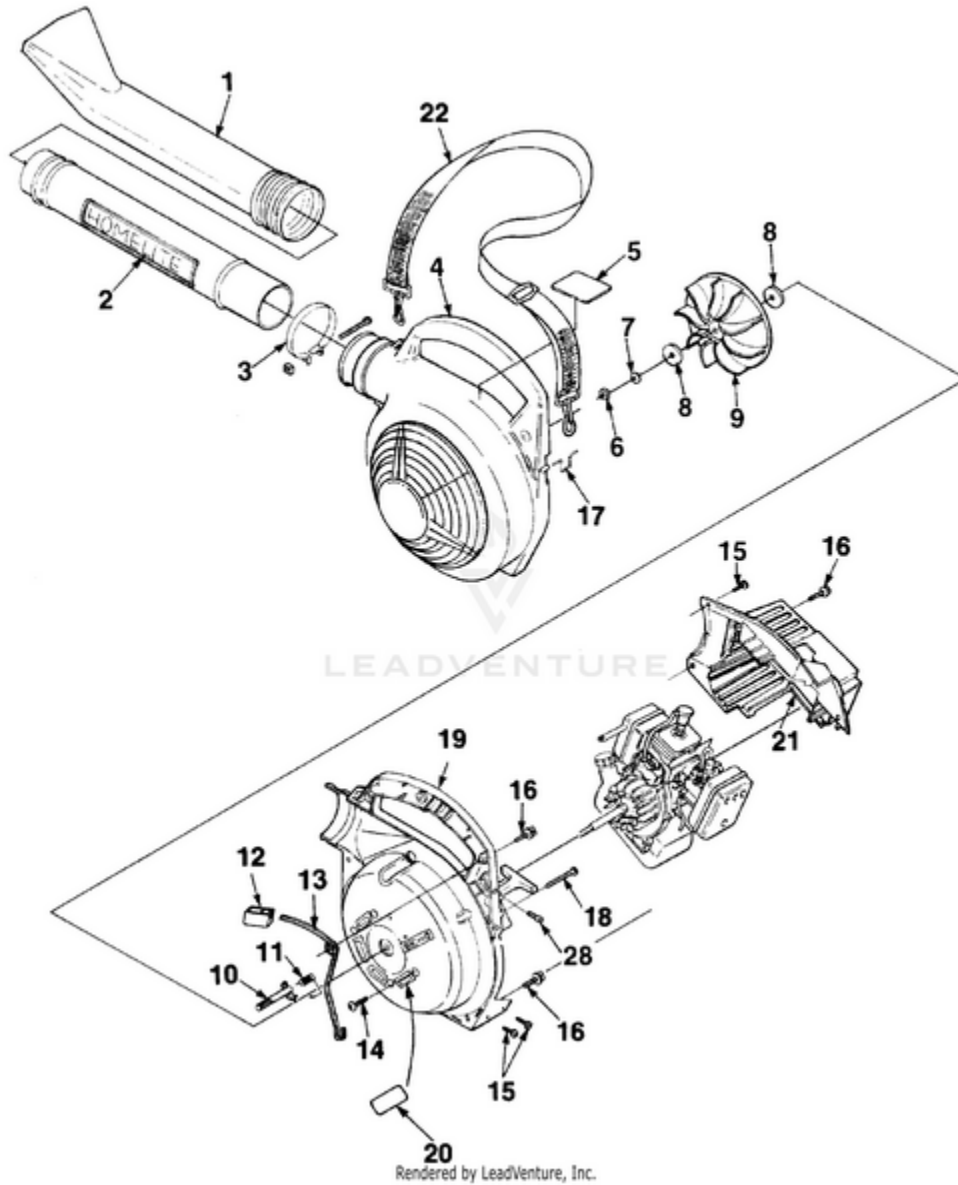
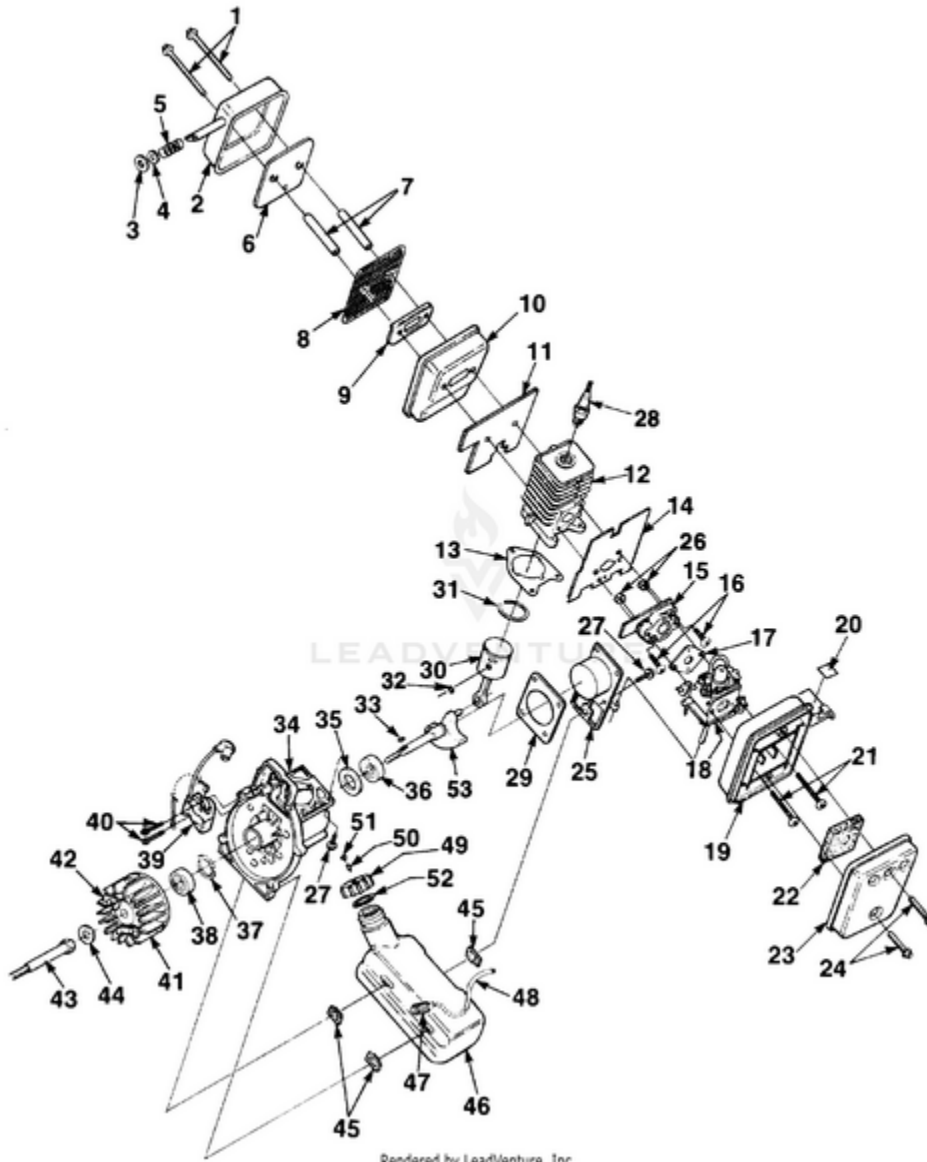


HB100 Blower UT-08018 - Blower



Ref #	Part #	Description	Qty	Context Note
1	00373	NOZZLE- Sweeper	1	
2	A00399A	TUBE w/DECAL	1	
3	00433	CLAMP	1	
4	01039	HOUSING- Volute (outer)	1	
5	00375	DECAL- Warning	1	
6	81117	NUT- Hex 5/16-24	1	
7	70788	WASHER- Belleville #10	1	
8	00380	WASHER- Flat	2	
9	00318	FAN- Blower	1	
10	00368	LATCH- Throttle	1	
11	00370	SPRING- Throttle latch	1	
12	00367	TRIGGER- Throttle	1	
13	00369	LEVER- Throttle	1	
14	82508	SCREW- Thd Forming	1	
15	82348	SCREW- Tapping pan #8 x 1/2	4	
16	70771	SCREW- Thd forming #10 x 3/4	8	
17	00398	LOOP- Wire	1	
18	JA416903	SCREW- Hex hd. #10 x 15/8	1	
19	A00814A	HOUSING- Volute (inner)	1	
20	A00813A	KIT- Sealing	1	
21	00321	SHROUD	1	
22	DA98138A	STRAP- Shoulder (Acc.)	1	
28	UNKNOWN	UNKNOWN	1	

HB100 Blower UT-08018 - Engine

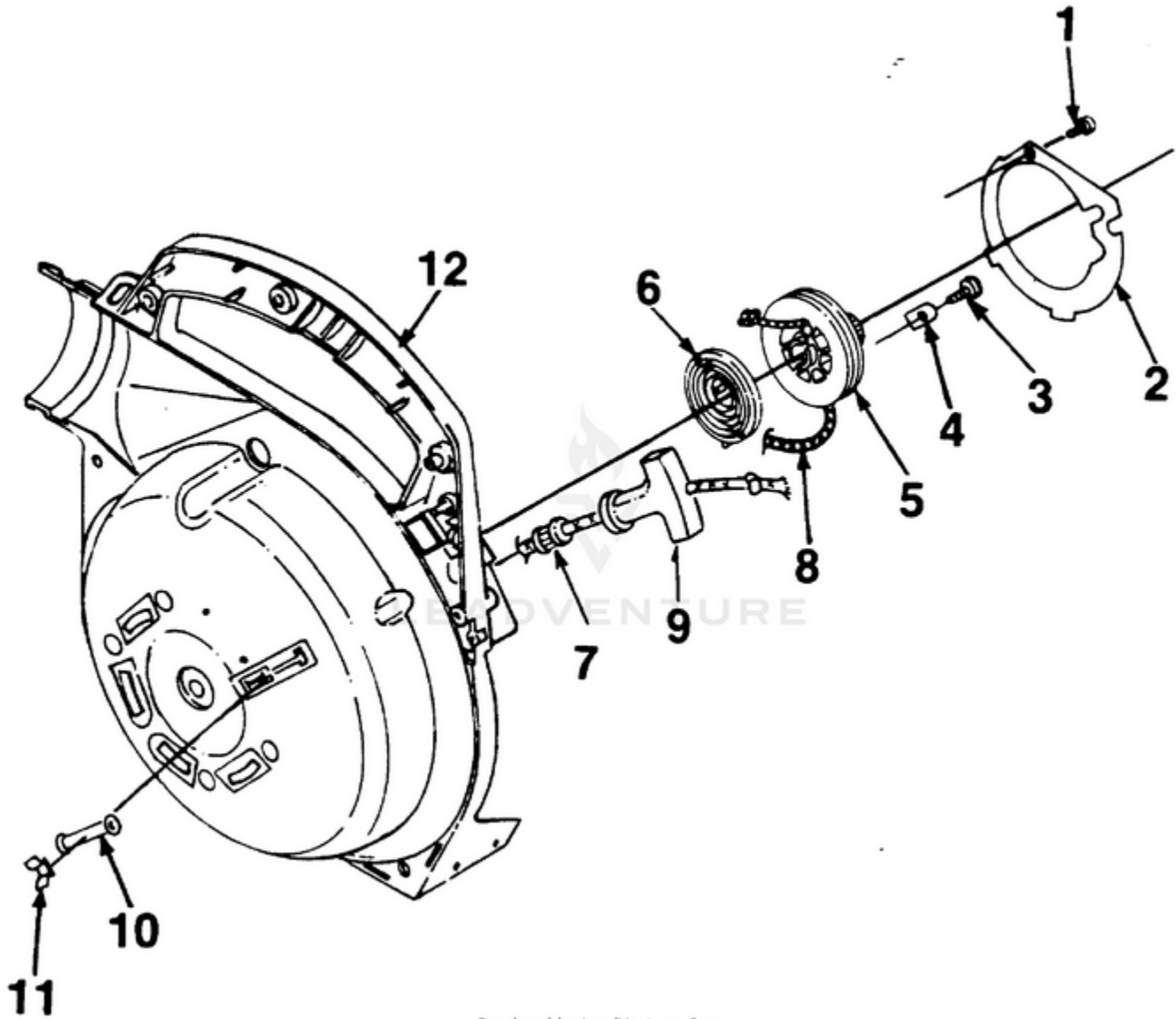


Rendered by LeadVenture, Inc.

Ref #	Part #	Description	Qty	Context	Note
1	88060	SCREW- Sems Hex Hd. (10-24 x 2 1/2)	2		
2	A00366	COVER- Muffler	1		
3	00381	WASHER- Insulating	1		
4	84117	WASHER- Flat	1		
5	00387	SPRING- Compression	1		
6	00777	DEFLECTOR- Muffler	1		
7	98860	SPACER- Muffler	2		
8	00388B	SCREEN- Spark arrestor	1		
9	98783	PLATE- Reinforcing	1		
10	98781	BODY- Muffler	1		
11	00394A	GASKET- Muffler	1		
12	A00108	CYLINDER	1		
13	98764	GASKET- Cylinder	1		
14	00775	GASKET- Heat dam	1		
15	98768	HEAT DAM	1		
16	82510	SCREW- (10-24)	2		
17	98766	GASKET- Carburetor	1		
18	A00378	CARBURETOR (WT-80) Walbro	1		
19	A04449	BOX-Air filter	1		
20	98942	DECAL- Choke/Run	1		
21	82507	SCREW- Thread Forming (10-24 x 1)	2		
22	D98760	AIR FILTER	1		
23	98761	COVER- Air filter	1		
24	82368	SCREW- Thread forming 8-16 x 3/4	2		
25	98754A	COVER- Crankcase	1		
26	81208	NUT- Hex (1/4-28 x 3/4)	2		
27	82508	SCREW- Thd forming #10-24 x 3/4	3		
28	96169S	SPARK PLUG	1		
29	98767	GASKET- Crankcase	1		
30	A00239	PISTON & ROD ASSEMBLY	1		
31	96935	RING- Piston	1		
32	65261	RING- Piston retaining	1		
33	69250	KEY- Woodruff	1		
34	A00107	CRANKCASE ASSEMBLY	1		
35	98800	SEAL- Shaft	1		
36	98797	BEARING- Ball	1		
37	98799	RING- Retaining	1		
38	98798	BEARING- Ball	1		
39	94711B	MODULE- Ignition	1		
40	82509	SCREW- Thd forming 8-32 x 1	1		
41	A95007	ROTOR & STARTER PAWL	1		

Ref #	Part #	Description	Qty	Context	Note
42	A70285D	STARTER PAWL KIT	1		
43	00377	ADAPTER- Fan	1		
44	84065	WASHER- Flat 5/16	1		
45	98792	BUMPER- Rubber	1		
46	A00098A	TANK- Fuel	1		
47	49422	FILTER- Fuel	1		
48	9477228	TUBING- Rubber	1		
49	A00099	FUEL CAP ASSEMBLY	1		
50	98819	VALVE- Duck Bill	1		
51	98913	FILTER	1		
52	98805	GASKET- Fuel cap	1		
53	987583	CRANKSHAFT	1		

HB100 Blower UT-08018 - Starter



Rendered by LeadVenture, Inc.

Ref #	Part #	Description	Qty	Context Note
1	82528	SCREW- Thread Forming (#6-19 x 3/4 lg.)	1	
2	00374	PLATE- Rotor	1	
3	82511	SCREW- Thd. forming 10 x 1/2	1	
4	98791	BRACKET- Retaining	1	
5	98770	PULLEY- Starter	1	
6	A98773	SPRING & CONTAINER	1	
7	A97796	BUSHING- Starter	1	
8	97899	ROPE- Starter 46"	1	
9	70211	GRIP- Starter rope	1	
10	00364	BUSHING- Starter rope	1	
11	00379	CLIP- Retainer	1	
12	A00814A	HOUSING- Volute (inner)	1	