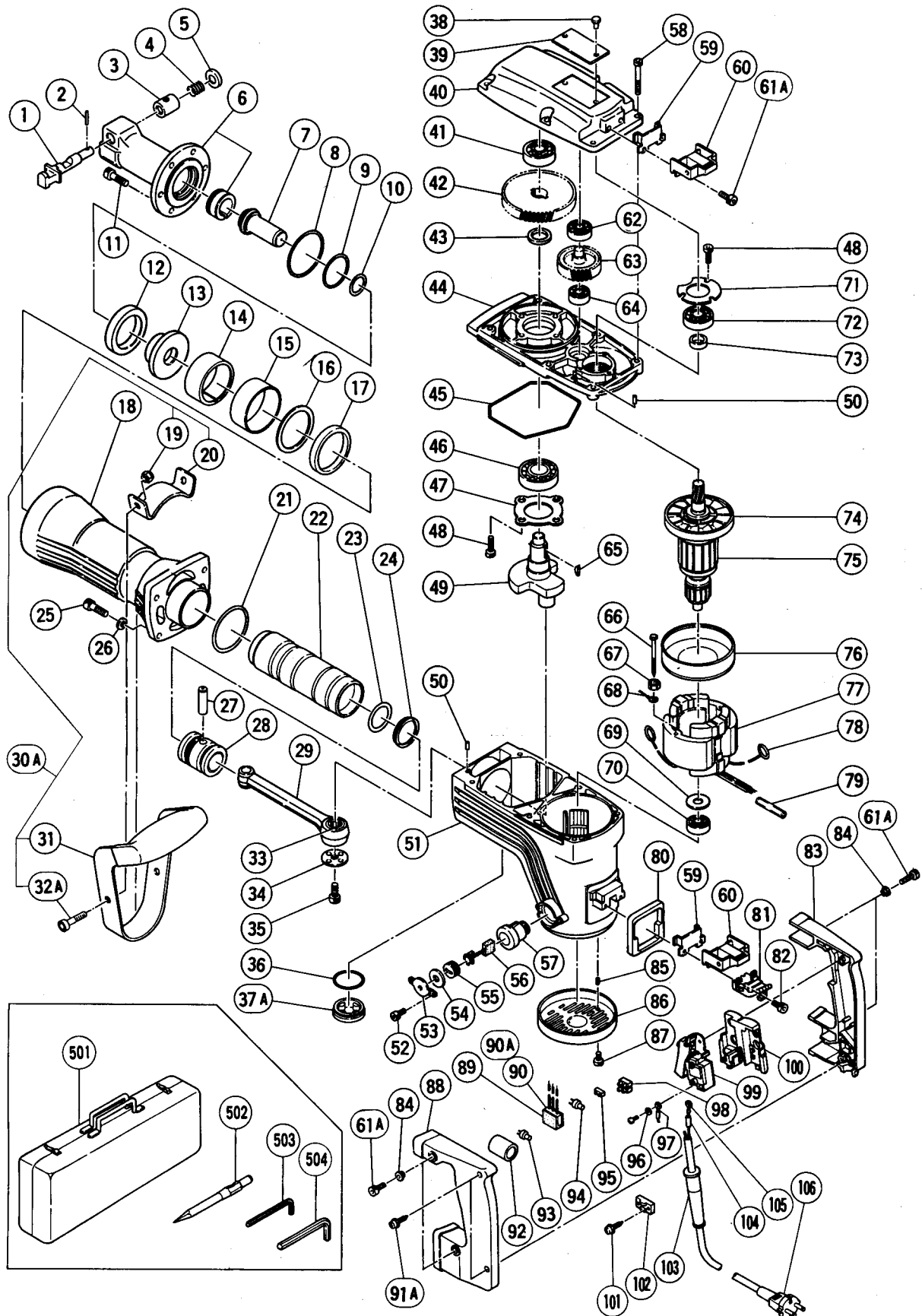


ELECTRIC TOOL PARTS LIST

■ **HAMMER**
Model H 65SB

1995 · 2 · 7
(E2)



PARTS

H 65SB

ITEM NO.	CODE NO.	DESCRIPTION	NO. USED	REMARKS
1	998-423	STOP LEVER	1	
2	998-426	NEEDLE ROLLER	1	
3	998-424	SPRING CASE	1	
4	956-975	LEVER SPRING	1	
5	998-425	DAMPER (B)	1	
6	998-435	FRONT COVER	1	
7	998-420	SECOND HAMMER	1	
8	998-428	O - RING (C)	1	
9	998-427	O - RING (B)	1	
10	998-419	O - RING (E)	1	
11	306-437	NYLOCK HEX. SOCKET HD. BOLT M8X30	6	
12	998-433	DAMPER (A)	1	
13	998-418	SHANK SLEEVE	1	
14	956-963	MOUTH	1	
15	956-962	MOUTH COVER	1	
16	956-961	MOUTH WASHER	1	
17	956-960	URETHANE RING	1	
18	306-164	SYLINDER CASE (BLACK)	1	
19	944-950	U - NUT (B) M8	2	
20	944-948	HANDLE STAY	1	
21	956-996	O - RING (1AS - 60)	1	
22	956-958	STRIKER	1	
23	998-414	O - RING (A)	1	
24	998-415	OIL SEAL (A)	1	
25	306-163	NYLOCK HEX. SOCKET HD. BOLT M8X35	4	
26	949-433	BOLT WASHER M8 (10 PCS.)	4	
27	944-928	PISTON PIN	1	
28	998-413	PISTON	1	
29	998-434	CONNECTING ROD ASS'Y	1	INCLUD.33
30A	306-165	SIDE HANDLE ASS'Y	1	INCLUD.19,20,31,32A
31	306-166	GRIP	1	
32A	949-655	HEX. SOCKET HD. BOLT M8X16 (10 PCS.)	2	
33	944-921	NEEDLE BEARING (NTN 8E - NK 18/20 RDO)	1	
34	956-955	CRANK WASHER	1	
35	996-364	SEAL LOCK HEX. SOCKET HD. BOLT M8X16	1	
36	980-717	O - RING (S - 38)	1	
37A	990-945	OIL CAP ASS'Y	1	INCLUD.36
38	949-510	RIVET D2.5X4.8 (10 PCS.)	2	
* 39		NAME PLATE	1	
40	998-429	GEAR COVER	1	
41	630-2VV	BALL BEARING 6302VVCMP2S	1	
42	944-916	FINAL GEAR	1	
43	944-915	DISTANCE RING (B)	1	
44	998-412	INNER COVER	1	
45	957-143	SEAL RING (A)	1	
46	620-5DD	BALL BEARING 6205DDUCMP2S	1	
47	956-949	BEARING COVER	1	
48	990-079	SEAL LOCK HEX. SOCKET HD. BOLT M5X16	7	
49	998-430	CRANK SHAFT	1	
50	944-918	PIN D5X15.8	2	
51	306-097	HOUSING ASS'Y	1	INCLUD.57,85

*: ALTERNATIVE PARTS

PARTS

H 65SB

ITEM NO.	CODE NO.	DESCRIPTION	NO. USED	REMARKS
52	983-162	SEAL LOCK HEX. SOCKET HD. BOLT M4X12	4	
53	956-972	CAP COVER	2	
54	944-960	CAP RUBBER	2	
55	940-540	BRUSH CAP	2	
56	999-086	CARBON BRUSH (AUTO STOP TYPE) (1 PAIR)	2	
57	956-984	BRUSH HOLDER	2	
58	986-940	SEAL LOCK HEX. SOCKET HD. BOLT M6X45	6	
59	980-750	GUIDE PLATE	2	
60	980-727	HANDLE RUBBER	2	
61A	990-079	SEAL LOCK HEX. SOCKET HD. BOLT M5X16	6	
62	620-1VV	BALL BEARING 6201VVCMP2S	1	
63	956-948	COUNTER GEAR	1	
64	600-1VV	BALL BEARING 6001VVCMP2L	1	
65	956-850	WOODRUFF KEY 4X16	2	
66	960-251	HEX. HD. TAPPING SCREW D5X65	2	
67	956-764	SPECIAL WASHER	2	
* 68	994-190	INTERNAL WIRE	1	FOR NOR
69	944-954	BEARING WASHER	1	
70	620-1DD	BALL BEARING 6201DDUCMAV2S	1	
71	944-911	BEARING COVER (A)	1	
72	620-3DD	BALL BEARING 6203DDUCMAV2S	1	
73	944-907	DISTANCE RING (A)	1	
74	996-370	FAN	1	
* 75	360-286C	ARMATURE ASS'Y 110V - 115V	1	INCLUD.74
* 75	360-286E	ARMATURE ASS'Y 220V - 230V	1	INCLUD.74
* 75	360-286F	ARMATURE ASS'Y 240V	1	INCLUD.74
76	306-098	FAN GUIDE	1	
* 77	340-259C	STATOR ASS'Y 110V - 115V	1	INCLUD.78,79
* 77	340-259E	STATOR ASS'Y 220V - 230V	1	INCLUD.78,79
* 77	340-259F	STATOR ASS'Y 240V	1	INCLUD.78,79
* 77	340-259H	STATOR ASS'Y 240V	1	INCLUD.78,79 FOR AUS
78	945-932	BRUSH TERMINAL	2	
79		TUBE (D7XT0.25X20)	1	
80	980-751	HANDLE PACKING	1	
81	985-469	INTERNAL WIRE HOLDER	1	
82	990-079	SEAL LOCK HEX. SOCKET HD. BOLT M5X16	2	
83	306-168	HANDLE (A)	1	
* 83	983-272	HANDLE (A)	1	FOR AUS
84	991-711	DISTANCE PIECE (B)	4	
85	938-477	HEX. SOCKET SET SCREW M5X8	2	
86	306-099	TAIL COVER	1	
87	991-690	SEAL LOCK HEX. SOCKET HD. BOLT M5X12	2	
* 88	306-169	HANDLE (B)	1	
* 88	983-273	HANDLE (B)	1	FOR AUS
* 89	930-153	SUPPORT (B)	1	FOR NOISE SUPPRESSOR
* 90	994-273	NOISE SUPPRESSOR	1	FOR NOR
* 90A	930-039	NOISE SUPPRESSOR	1	FOR ITA,FRG,BEL,FRA,HOL,DEN,SWE,AUT,ESP POR
91A	307-028	TAPPING SCREW (W/FLANGE) D4X25 (BLACK)	1	
92	306-167	TUBE (I.D.7XT1.1X15)	1	
* 93	959-140	CONNECTOR 50091 (10 PCS.)	1	FOR NOR

*: ALTERNATIVE PARTS

STANDARD ACCESSORIES

H 65SB

ITEM NO.	CODE NO.	DESCRIPTION	NO. USED	REMARKS
501	998-431	CASE	1	
502	944-961	BULL POINT 410MM	1	
503	943-277	HEX. BAR WRENCH 3MM	1	
504	872-422	HEX. BAR WRENCH 6MM	1	

OPTIONAL ACCESSORIES

ITEM NO.	CODE NO.	DESCRIPTION	NO. USED	REMARKS
601	944-962	COLD CHISEL 410MM (HEX. SHANK TYPE)	1	
602	944-964	CUTTER W75X45L (ROUND SHANK TYPE)	1	
603A	957-154	SCOOP 380L (ROUND SHANK TYPE)	1	
604	944-966	RAMMER SHANK (HAMMER)	1	
605	944-965	RAMMER 200MM	1	
606	980-927	GREASE FOR HAMMER.HAMMER DRILL (500G)	1	
607	981-840	GREASE (A) FOR HAMMER.HAMMER DRILL (30G)	1	
608	306-441	SERVICE KIT (H 65SB)	1	INCLUD.609 – 620
609	998-427	O – RING (B)	1	
610	998-428	O – RING (C)	1	
611	306-437	NYLOCK HEX. SOCKET HD. BOLT M8X30	6	
612	998-419	O – RING (E)	1	
613	956-960	URETHANE RING	1	
614	956-996	O – RING (1AS – 60)	1	
615	998-414	O – RING (A)	1	
616	998-415	OIL SEAL (A)	1	
617	957-143	SEAL RING (A)	1	
618	999-086	CARBON BRUSH (AUTO STOP TYPE) (1 PAIR)	2	
619	981-840	GREASE (A) FOR HAMMER.HAMMER DRILL (30G)	3	
620	930-035	GREASE (SEP – 3A) (100G)	1	

*: ALTERNATIVE PARTS