

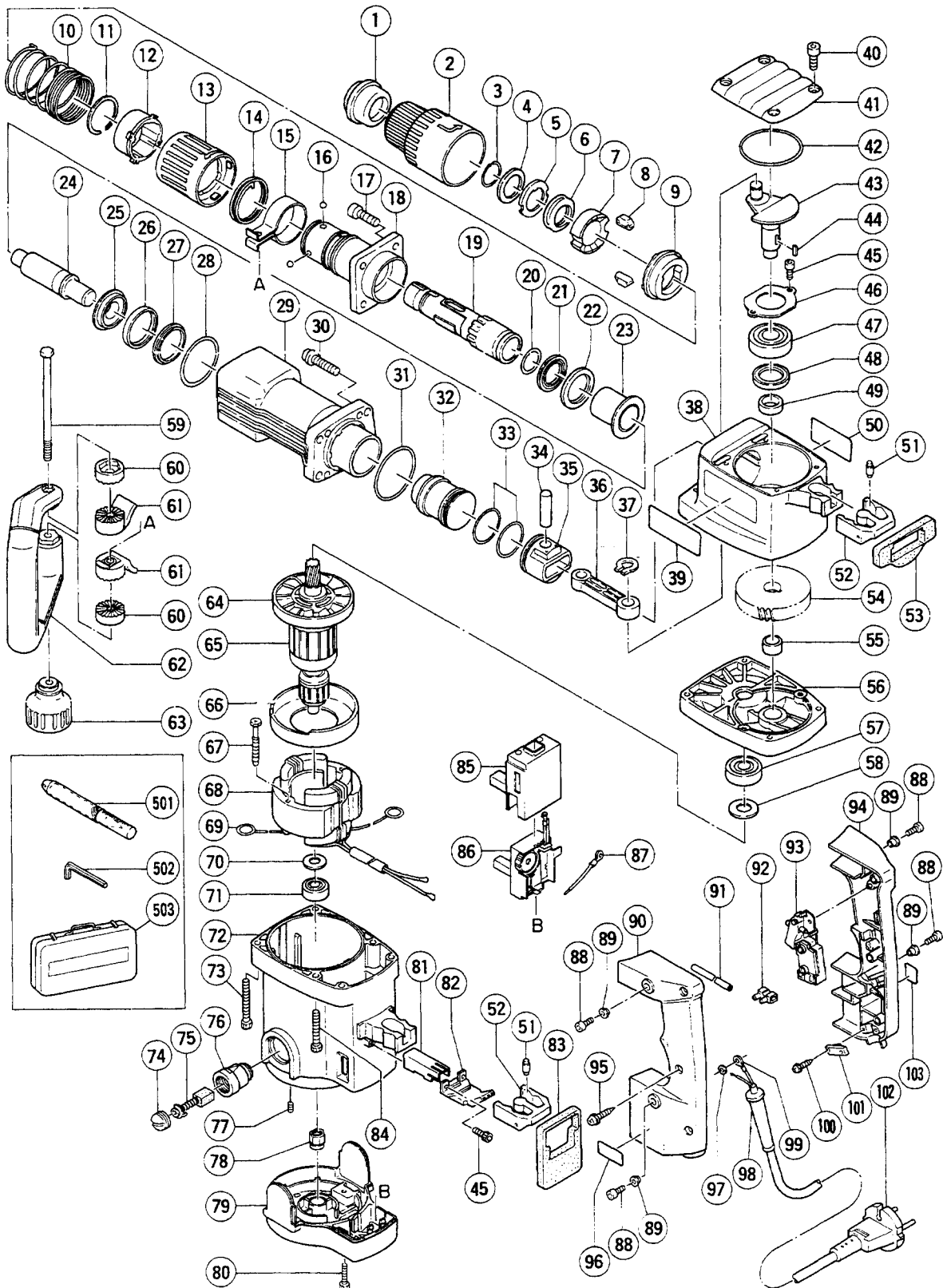
ELECTRIC TOOL PARTS LIST

■ HAMMER

1998 · 10 · 20

Model H 60MB

(E1)



PARTS

H 60MB

| ITEM No. | CODE NO. | DESCRIPTION | NO. USED | REMARKS |
|----------|----------|--|----------|---------|
| 1 | 315-529 | FRONT CAP | 1 | |
| 2 | 315-506 | GRIP (A) | 1 | |
| 3 | 315-512 | RING | 1 | |
| 4 | 315-507 | WASHER (D) | 1 | |
| 5 | 315-508 | WASHER (C) | 1 | |
| 6 | 315-509 | RETAINER DAMPER | 1 | |
| 7 | 315-510 | NEEDLE HOLDER (A) | 1 | |
| 8 | 315-514 | NEEDLE | 2 | |
| 9 | 315-511 | NEEDLE HOLDER (B) | 1 | |
| 10 | 315-515 | SPRING (A) | 1 | |
| 11 | 317-088 | RETAINING RING D42 | 1 | |
| 12 | 315-518 | BALL HOLDER | 1 | |
| 13 | 315-513 | GRIP (B) | 1 | |
| 14 | 315-516 | SPRING (B) | 1 | |
| 15 | 317-104 | BAND | 1 | |
| 16 | 959-150 | STEEL BALL D6.35 (10 PCS.) | 4 | |
| 17 | 985-479 | SEAL LOCK HEX. SOCKET HD. BOLT M8X25 | 4 | |
| 18 | 317-089 | FRONT COVER | 1 | |
| 19 | 315-519 | RETAINER SLEEVE | 1 | |
| 20 | 872-470 | O-RING (S-26) | 1 | |
| 21 | 315-521 | X-RING | 1 | |
| 22 | 317-094 | DAMPER (B) | 1 | |
| 23 | 317-092 | HAMMER HOLDER (B) | 1 | |
| 24 | 317-090 | SECOND HAMMER | 1 | |
| 25 | 317-091 | HAMMER HOLDER (A) | 1 | |
| 26 | 317-093 | DAMPER | 1 | |
| 27 | 317-095 | DAMPER WASHER | 1 | |
| 28 | 317-119 | O-RING (S-56) | 1 | |
| 29 | 317-085 | CYLINDER CASE | 1 | |
| 30 | 990-083 | HEX. SOCKET HD. BOLT (W/FLANGE) M8X35 | 4 | |
| 31 | 956-996 | O-RING (1AS-60) | 1 | |
| 32 | 301-510 | STRIKER | 1 | |
| 33 | 985-454 | O-RING (A) (FPM810) | 2 | |
| 34 | 301-509 | PISTON PIN | 1 | |
| 35 | 317-084 | PISTON | 1 | |
| 36 | 317-082 | CONNECTING ROD | 1 | |
| 37 | 939-543 | RETAINING RING FOR D14 SHAFT (10 PCS.) | 1 | |
| 38 | 317-083 | CRANK CASE | 1 | |
| 39 | | HITACHI LABEL | 1 | |
| 40 | 990-079 | SEAL LOCK HEX. SOCKET HD. BOLT M5X16 | 4 | |
| 41 | 317-079 | CRANK COVER | 1 | |
| 42 | 993-195 | O-RING | 1 | |
| 43 | 317-078 | CRANK SHAFT | 1 | |
| 44 | 940-533 | FEATHER KEY 3X3X10 | 1 | |
| 45 | 984-509 | SEAL LOCK HEX. SOCKET HD. BOLT M5X14 | 4 | |
| 46 | 985-443 | BEARING COVER | 1 | |
| 47 | 620-4DD | BALL BEARING 6204DDUCMPS2S | 1 | |
| 48 | 995-403 | OIL SEAL | 1 | |
| 49 | 995-402 | DISTANCE RING (C) | 1 | |
| 50 | | NAME PLATE | 1 | |
| 51 | 310-124 | HANDLE DAMPER | 8 | |

* : ALTERNATIVE PARTS

10 - 98

PARTS

H 60MB

| ITEM No. | CODE NO. | DESCRIPTION | NO. USED | REMARKS | |
|----------|----------|--|------------------------------|--------------------|-----------------------|
| 52 | 310-123 | TRANSATORY UNIT | 2 | | |
| 53 | 317-101 | HANDLE PACKING (A) | 1 | | |
| 54 | 317-080 | FIRST GEAR | 1 | | |
| 55 | 985-442 | NEEDLE BEARING (A) (BK1512) | 1 | | |
| 56 | 317-081 | GEAR COVER ASS'Y | 1 | INCLUD.55 | |
| 57 | 620-3DD | BALL BEARING 6203DDUCMAV2S | 1 | | |
| 58 | 992-841 | BEARING WASHER | 1 | | |
| 59 | 317-107 | BOLT M8 | 1 | | |
| 60 | 317-106 | HANDLE HOLDER (B) | 2 | | |
| 61 | 317-105 | HANDLE HOLDER (A) | 2 | | |
| 62 | 317-103 | SIDE HANDLE ASS'Y | 1 | INCLUD.15,59-61,63 | |
| 63 | 317-108 | GRIP | 1 | | |
| 64 | 996-370 | FAN | 1 | | |
| * | 65 | 360-486U | ARMATURE ASS'Y 110V-115V | 1 | INCLUD.57,58,64,70,71 |
| * | 65 | 360-486E | ARMATURE ASS'Y 230V | 1 | INCLUD.64 |
| * | 65 | 360-486F | ARMATURE ASS'Y 240V | 1 | INCLUD.64 |
| 66 | 305-610 | FAN GUIDE | 1 | | |
| 67 | 953-121 | HEX. HD. TAPPING SCREW D5X50 | 2 | | |
| * | 68 | 340-432C | STATOR ASS'Y 110V | 1 | INCLUD.69 |
| * | 68 | 340-432G | STATOR ASS'Y 115V | 1 | INCLUD.69 |
| * | 68 | 340-432E | STATOR ASS'Y 230V | 1 | INCLUD.69 |
| * | 68 | 340-432F | STATOR ASS'Y 240V | 1 | INCLUD.69 |
| 69 | 945-932 | BRUSH TERMINAL | 2 | | |
| 70 | 944-954 | BEARING WASHER | 1 | | |
| 71 | 620-1DD | BALL BEARING 6201DDUCMAV2S | 1 | | |
| 72 | 317-077 | HOUSING ASS'Y | 1 | INCLUD 76,77 | |
| 73 | 301-567 | SEAL LOCK HEX. SOCKET HD. BOLT M6X55 | 4 | | |
| 74 | 940-540 | BRUSH CAP | 2 | | |
| 75 | 999-074 | CARBON BRUSH (AUTO STOP TYPE) (1 PAIR) | 2 | | |
| 76 | 956-984 | BRUSH HOLDER | 2 | | |
| 77 | 938-477 | HEX. SOCKET SET SCREW M5X8 | 2 | | |
| 78 | 317-087 | MAGNET | 1 | | |
| 79 | 317-086 | TAIL COVER | 1 | | |
| 80 | 317-245 | SEAL LOCK HEX. SOCKET HD. BOLT M5X22 | 2 | | |
| 81 | 317-099 | SLEEVE | 1 | | |
| 82 | 980-754 | INTERNAL WIRE HOLDER | 1 | | |
| 83 | 317-102 | HANDLE PACKING (B) | 1 | | |
| 84 | 986-940 | SEAL LOCK HEX. SOCKET HD. BOLT M6X45 | 2 | | |
| 85 | 317-100 | CASE (B) | 1 | | |
| * | 86 | 317-109 | CONTROLLER CIRCUIT 110V | 1 | |
| * | 86 | 317-112 | CONTROLLER CIRCUIT 115V | 1 | |
| * | 86 | 317-110 | CONTROLLER CIRCUIT 230V-240V | 1 | |
| * | 87 | 317-113 | INTERNAL WIRE | 1 | EXCEPT USA |
| 88 | 991-690 | SEAL LOCK HEX. SOCKET HD. BOLT M5X12 | 4 | | |
| 89 | 991-711 | DISTANCE PIECE (B) | 4 | | |
| 90 | 317-097 | HANDLE (B) | 1 | | |
| * | 91 | VINYL TUBE(D7XT0.5X30) | 2 | FOR USA | |
| 92 | 938-307 | PILLAR TERMINAL | 1 | | |
| 93 | 306-143 | SWITCH (B) (1P SCREW TYPE) W/LOCK | 1 | | |
| 94 | 317-096 | HANDLE (A) | 1 | | |
| 95 | 307-028 | TAPPING SCREW (W/FLANGE) D4X25 (BLACK) | 3 | | |

PARTS

H 60MB

| ITEM No. | CODE NO. | DESCRIPTION | NO. USED | REMARKS |
|----------|----------|--------------------------------|----------|--------------------------------------|
| 96 | | SDS-MAX LABEL | 1 | |
| * 97 | 949-423 | WASHER M4 (10 PCS.) | 1 | EXCEPT USA |
| * 98 | 953-327 | CORD ARMOR D8.8 | 1 | |
| * 98 | 938-051 | CORD ARMOR D10.1 | 1 | |
| * 99 | 992-810 | TERMINAL | 1 | |
| * 99 | 980-063 | TERMINAL | 1 | FOR GBR(110V),SAF,AUS |
| * 99 | 930-804 | TERMINAL M4.0 (10 PCS.) | 1 | FOR USA |
| 100 | 984-750 | TAPPING SCREW (W/FLANGE) D4X16 | 2 | |
| * 101 | 960-266 | CORD CLIP | 1 | |
| * 101 | 981-987Z | CORD CLIP | 1 | FOR SUI |
| * 102 | 500-390Z | CORD | 1 | (CORD ARMOR D10.1) |
| * 102 | 500-446Z | CORD | 1 | (CORD ARMOR D10.1) FOR GBR (230V) |
| * 102 | 500-454Z | CORD | 1 | (CORD ARMOR D8.8) FOR GBR (110V),SAF |
| * 102 | 500-408Z | CORD | 1 | (CORD ARMOR D10.1) FOR AUS |
| * 102 | 500-391Z | CORD | 1 | (CORD ARMOR D10.1) FOR SUI |
| * 102 | 500-434Z | CORD | 1 | (CORD ARMOR D8.8) FOR USA |
| 103 | | LABEL | 1 | |
| | | | | |
| | | | | |
| | | | | |

STANDARD ACCESSORIES

| ITEM No. | CODE NO. | DESCRIPTION | NO. USED | REMARKS |
|----------|----------|---------------------------|----------|---------|
| 501 | 313-471 | BULL POINT (SDS MAX) 280L | 1 | |
| 502 | 872-422 | HEX. BAR WRENCH 6MM | 1 | |
| 503 | 317-125 | CASE (STEEL) | 1 | |
| | | | | |
| | | | | |
| | | | | |

OPTIONAL ACCESSORIES

| ITEM No. | CODE NO. | DESCRIPTION | NO. USED | REMARKS |
|----------|----------|--|----------|------------|
| 601 | 981-840 | GREASE (A) FOR HAMMER.HAMMER DRILL (30G) | 1 | |
| 602 | 308-471 | GREASE FOR HAMMER.HAMMER DRILL (70G) | 1 | |
| * 603 | 980-927 | GREASE FOR HAMMER.HAMMER DRILL (500G) | 1 | EXCEPT USA |
| 604 | 313-472 | BULL POINT (SDS MAX) 400L | 1 | |
| 605 | 313-473 | COLD CHISEL (SDS MAX) 280MM | 1 | |
| 606 | 313-474 | COLD CHISEL (SDS MAX) 400MM | 1 | |
| 607 | 313-475 | CUTTER (SDS MAX) W50X400L | 1 | |
| 608 | 313-476 | SCOOP (SDS MAX) 400L | 1 | |
| 609 | 313-477 | BUSHING TOOL (SDS MAX) | 1 | |
| 610 | 313-478 | RAMMER (SDS MAX) 150MM X 150MM | 1 | |
| 611 | 313-479 | SHANK (SDS MAX)FOR RAMMER,BUSHING TOOL | 1 | |
| | | | | |
| | | | | |
| | | | | |

* : ALTERNATIVE PARTS

Printed in Japan 10 - 98
(981020 N)