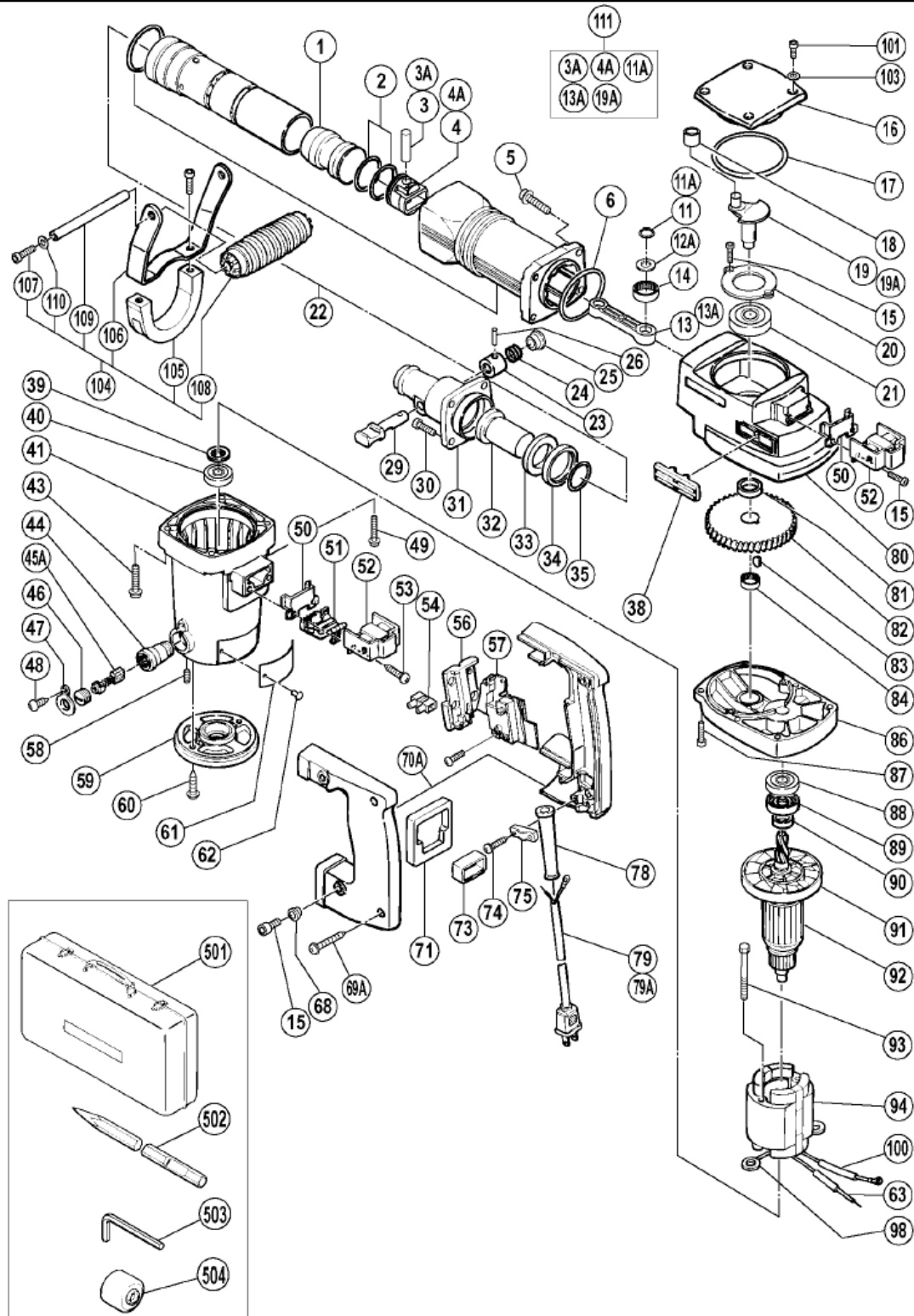


## ELECTRIC TOOL PARTS LIST

■ HAMMER  
Model H 55SC

2010 • 05 • 03  
(E3)



## PARTS

H55SC

ITEM NO.	CODE NO.	DESCRIPTION	NO. USED	REMARKS
1 985	455	STRIKER	1	
2	985454	O-RING (A) (FPM810)	2	
3	985451	PISTON PIN	1	TILL 3.2002
3A	301509	PISTON PIN	1	SINCE 4.2002
4 985	452	PISTON	1	TILL 3.2002
4A 317	084	PISTON	1	SINCE 4.2002
5	990083	HEX. SOCKET HD. BOLT (W/FLANGE) M8X35	4	
6 956	996	O-RING (1AS-60)	1	
11	939542	RETAINING RING FOR D12 SHAFT (10 PCS.)	1	TILL 3.2002
11A	939543	RETAINING RING FOR D14 SHAFT (10 PCS.)	1	SINCE 4.2002
12A	985453	CRANK WASHER	1	TILL 3.2002
13	985450	CONNECTING ROD ASS'Y	1	INCLUD.14 TILL 3.2002
13A	317082	CONNECTING ROD	1	SINCE 4.2002
14	985470	NEEDLE BEARING (B) (RNA4901V1)	1	TILL 3.2002
15	984509	SEAL LOCK HEX. SOCKET HD. BOLT M5X14	8	
16 986	957	CRANK COVER	1	
17 877	316	O-RING (S-90)	1	
18	985467	INNER RACE	1	TILL 3.2002
19	985444	CRANK SHAFT	1	TILL 3.2002
19A	319502	CRANK SHAFT	1	SINCE 4.2002
20 985	443	BEARING COVER	1	
21	6204DD	BALL BEARING 6204DDCMPS2L	1	
22 986	941	CYLINDER CASE	1	
23 993	241	SPRING CASE	1	
24 302	096	STOPPER SPRING	1	
25 993	243	STOPPER SLEEVE	1	
26	943364	NEEDLE ROLLER D4X20	1	
29 302	095	STOP LEVER	1	
30	985479	SEAL LOCK HEX. SOCKET HD. BOLT M8X25	4	
31 302	120	FRONT COVER	1	
32 302	094	SECOND HAMMER	1	
33 986	943	DAMPER WASHER	1	
34 986	942	DAMPER	1	
35	986946	O-RING (C) (FPM810)	1	
38	991713	WIND GUIDE (B)	2	
39 985	436	DUST WASHER	1	
40	6200VV	BALL BEARING 6200VVCMP2L	1	
41 985	435	HOUSING ASS'Y	1	INCLUD.44.58
43	994085	HEX. SOCKET HD. BOLT (W/FLANGE) M6X60	2	
44 983	362	BRUSH HOLDER	2	
45A	999071	CARBON BRUSH (AUTO STOP TYPE) (1 PAIR)	2	
46 961	781	BRUSH CAP	2	
47 981	959	CAP COVER	2	
48	302090	TAPPING SCREW D4X10 (BLACK)	2	
49	994084	HEX. SOCKET HD. BOLT (W/FLANGE) M6X40	2	
50 980	750	GUIDE PLATE	2	
51	985469	INTERNAL WIRE HOLDER	1	
52 980	727	HANDLE RUBBER	2	
53	985605	TAPPING SCREW (W/WASHER) D5X25	2	
54 938	307	PILLAR TERMINAL	1	
56 990	082	SUPPORT (E)	1	
57	992891	SWITCH (A) (1P SCREW TYPE) W/O LOCK	1	
58	938477	HEX. SOCKET SET SCREW M5X8	2	
59 985	437	TAIL COVER	1	
60	302089	TAPPING SCREW (W/FLANGE) D5X20 (BLACK)	2	
61 304	69	NAME PLATE	1	
62	949510	RIVET D2.5X4.8 (10 PCS.)	2	
63 996	38	VINYL TUBE(I.D.7X0.5TX50)	1	
68	991711	DISTANCE PIECE (B)	4	
69A	305490	TAPPING SCREW (W/FLANGE) D4X30 (BLACK)	2	



