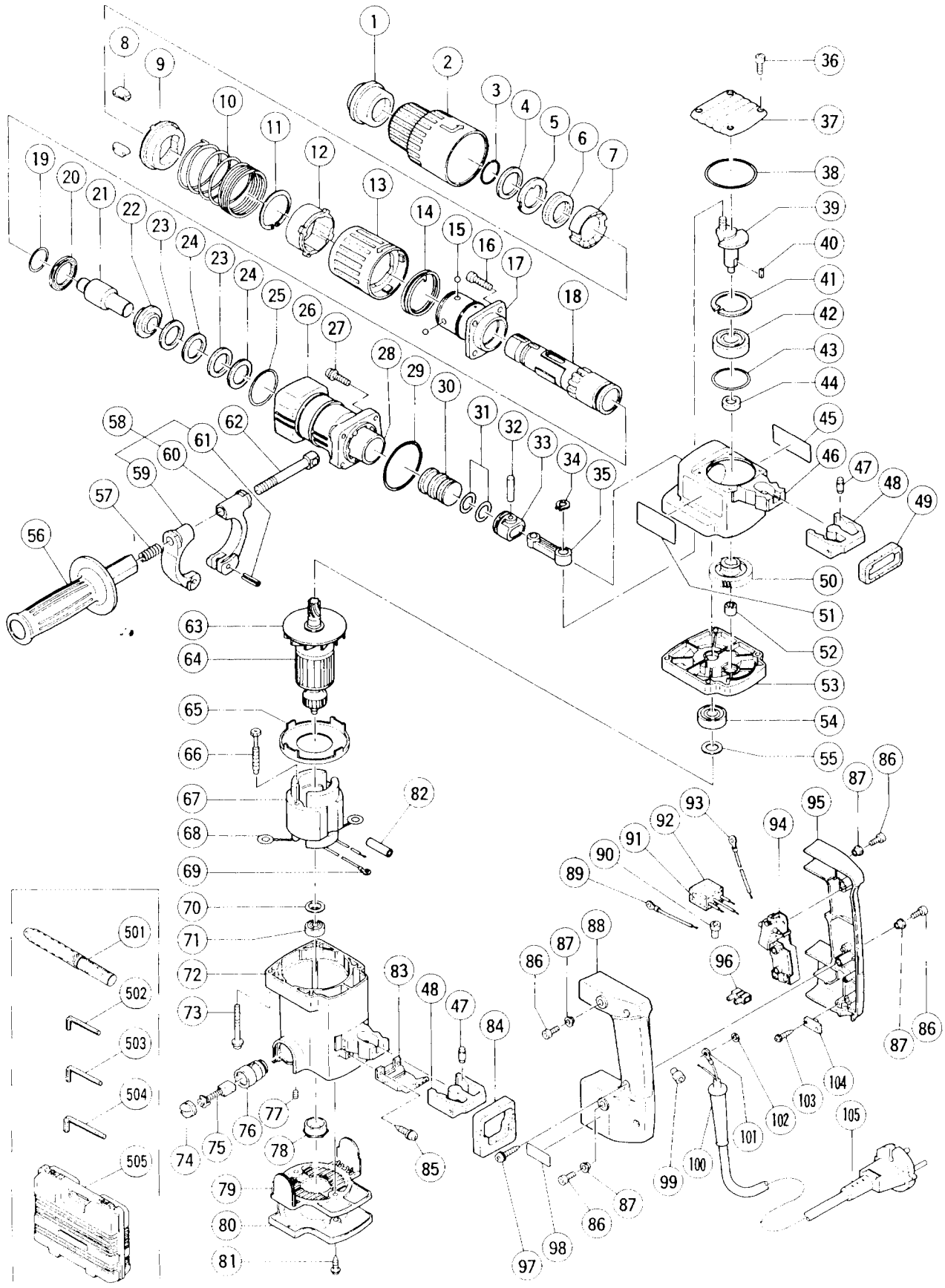


## ELECTRIC TOOL PARTS LIST

■ HAMMER  
Model H 45MA

1998 • 1 • 10  
(E1)



## PARTS

H 45MA

ITEM NO.	CODE NO.	DESCRIPTION	NO. USED	REMARKS
1	315-529	FRONT CAP	1	
2	315-506	GRIP (A)	1	
3	315-512	RING	1	
4	315-507	WASHER (D)	1	
5	315-508	WASHER (C)	1	
6	315-509	RETAINER DAMPER	1	
7	315-510	NEEDLE HOLDER (A)	1	
8	315-514	NEEDLE	2	
9	315-511	NEEDLE HOLDER (B)	1	
10	315-515	SPRING (A)	1	
11	315-517	S TYPE RETAINING RING	1	
12	315-518	BALL HOLDER	1	
13	315-513	GRIP (B)	1	
14	315-516	SPRING (B)	1	
15	959-150	STEEL BALL D6.35 (10 PCS.)	4	
16	993-040	NYLOCK HIGH TENSION BOLT M7X25	4	
17	315-520	FRONT COVER	1	
18	315-519	RETAINER SLEEVE	1	
19	872-470	O - RING (S - 26)	1	
20	315-521	X - RING	1	
21	315-522	SECOND HAMMER	1	
22	315-523	HAMMER HOLDER	1	
23	983-235	DAMPER	2	
24	983-236	WASHER	2	
25	983-852	O - RING (S - 42)	1	
26	315-524	CYLINDER CASE ASS'Y	1	INCLUD.28
27	993-041	NYLOCK BOLT (W/FLANGE) M6X25	4	
28	315-525	CYLINDER	1	
29	980-715	O - RING (S - 48)	1	
30	315-527	STRIKER	1	
31	986-104	O - RING	2	
32	980-708	PISTON PIN	1	
33	310-113	PISTON	1	
34	939-540	RETAINING RING FOR D10 SHAFT (10 PCS.)	1	
35	310-114	CONNECTING ROD	1	
36	983-162	SEAL LOCK HEX. SOCKET HD. BOLT M4X12	4	
37	310-115	CRANK COVER	1	
38	980-744	O - RING (S - 55)	1	
39	310-116	CRANK SHAFT	1	
40	930-511	FEATHER KEY 4X4X10	1	
41	948-391	RETAINING RING FOR D40 HOLE	1	
42	620-3DD	BALL BEARING 6203DDUCMAV2S	1	
43	996-363	O - RING (S - 40)	1	
44	310-119	OIL SEAL	1	
45		NAME PLATE	1	
46	310-117	CRANK CASE	1	
47	310-124	HANDLE DAMPER	8	
48	310-123	TRANSATORY UNIT	2	
49	310-126	HANDLE PACKING (A)	1	
50	310-120	FIRST GEAR	1	
51		HITACHI LABEL	1	

\*: ALTERNATIVE PARTS

## PARTS

H 45MA

ITEM NO.	CODE NO.	DESCRIPTION	NO. USED	REMARKS
52	939-299	NEEDLE BEARING (M661)	1	
53	310-129	GEAR COVER ASS'Y	1	INCLUD.52
54	620-1VV	BALL BEARING 6201VVCMP2S	1	
55	971-736	WASHER (B)	1	
56	981-870	SIDE HANDLE	1	
57	672-612	SPRING	1	
58	980-657	HANDLE HOLDER ASS'Y	1	INCLUD.59 -- 61
59	980-659	HANDLE HOLDER (B)	1	
60	980-658	HANDLE HOLDER (A)	1	
61	949-875	ROLL PIN D6X22 (10 PCS.)	1	
62	971-785	HANDLE BOLT	1	
63	310-130	FAN	1	
* 64	360-360U	ARMATURE ASS'Y 110V -- 115V	1	INCLUD.54,55,63,70,71
* 64	360-360E	ARMATURE ASS'Y 220V -- 230V	1	INCLUD.63
* 64	360-360F	ARMATURE ASS'Y 240V	1	INCLUD.63
65	980-931	FAN GUIDE	1	
66	953-121	HEX. HD. TAPPING SCREW D5X50	2	
* 67	340-326J	STATOR ASS'Y (B) 110V	1	INCLUD.68
* 67	340-326C	STATOR ASS'Y 115V	1	INCLUD.68,69
* 67	340-326K	STATOR ASS'Y (B) 220V -- 230V	1	INCLUD.68
* 67	340-317F	STATOR ASS'Y 240V	1	INCLUD.68,69
68	930-703	BRUSH TERMINAL	2	
69	930-804	TERMINAL M4.0 (10 PCS.)	1	
70	982-631	WASHER (A)	1	
71	608-VVM	BALL BEARING 608VVMC2EPS2L	1	
72	310-146	HOUSING ASS'Y	1	INCLUD.76,77)
73	980-951	HEX. SOCKET HD. BOLT (W/FLANGE) M5X45	4	
74	935-829	BRUSH CAP	2	
75	999-073	CARBON BRUSH (AUTO STOP TYPE) (1 PAIR)	2	
76	971-001	BRUSH HOLDER	2	
77	938-477	HEX. SOCKET SET SCREW M5X8	2	
78	310-111	BEARING BUSHING (B)	1	
79	314-130	TAIL COVER ASS'Y	1	INCLUD.80
80	314-262	PLATE	1	
81	307-811	TAPPING SCREW (W/FLANGE) D4X16 (BLACK)	2	
* 82		VINYL TUBE (ID7XT0.5X30)	2	FOR USA,CAN
* 83	310-424	INTERNAL WIRE HOLDER	1	
* 83	980-754	INTERNAL WIRE HOLDER	1	FOR AUS,USA,CAN
84	310-125	HANDLE PACKING (B)	1	
85	985-480	TAPPING SCREW (W/WASHER) D5X20	2	
86	991-690	SEAL LOCK HEX. SOCKET HD. BOLT M5X12	4	
87	991-711	DISTANCE PIECE (B)	4	
88	315-505	HANDLE (B)	1	
* 89	981-974Z	INTERNAL WIRE	1	EXCEPT AUS,USA,CAN
* 90	959-140	CONNECTOR 50091 (10 PCS.)	1	EXCEPT AUS,USA,CAN
* 91	994-273	NOISE SUPPRESSOR	1	EXCEPT AUS,USA,CAN
* 92	930-153	SUPPORT (B)	1	FOR NOISE SUPPRESSOR
* 93	990-861	INTERNAL WIRE	1	EXCEPT AUS,USA,CAN
94	306-143	SWITCH (B) (1P SCREW TYPE) W/LOCK	1	
95	315-504	HANDLE (A)	1	
* 96	938-307	PILLAR TERMINAL	1	EXCEPT AUS

\*: ALTERNATIVE PARTS

**PARTS**

H 45MA

ITEM NO.	CODE NO.	DESCRIPTION	NO. USED	REMARKS
97	307-028	TAPPING SCREW (W/FLANGE) D4X25 (BLACK)	3	
98		SDS MAX LABEL	1	
* 99	959-141	CONNECTOR 50092 (10 PCS.)	1	EXCEPT USA,CAN
* 100	953-327	CORD ARMOR D8.8	1	
* 100	938-051	CORD ARMOR D10.1	1	
* 101	930-804	TERMINAL M4.0 (10 PCS.)	1	
* 101	992-810	TERMINAL	1	EXCEPT SAF
* 101	980-063	TERMINAL	1	FOR GBR(110V),AUS
* 102	949-423	WASHER M4 (10 PCS.)	1	EXCEPT AUS,USA,CAN
103	984-750	TAPPING SCREW (W/FLANGE) D4X16	2	
* 104	960-266	CORD CLIP	1	
* 104	981-987Z	CORD CLIP	1	FOR SUI
* 105	500-390Z	CORD	1	(CORD ARMOR D10.1)
* 105	500-454Z	CORD	1	(CORD ARMOR D8.8) FOR GBR(110V)
* 105	500-446Z	CORD	1	(CORD ARMOR D10.1) FOR GBR(230V)
* 105	500-408Z	CORD	1	(CORD ARMOR D10.1) FOR AUS
* 105	500-406Z	CORD	1	(CORD ARMOR D8.8) FOR SAF
* 105	500-391Z	CORD	1	(CORD ARMOR D10.1) FOR SUI
* 105	311-953	CORD	1	(CORD ARMOR D10.1) FOR USA,CAN

**STANDARD ACCESSORIES**

ITEM NO.	CODE NO.	DESCRIPTION	NO. USED	REMARKS
501	313-471	BULL POINT (SDS MAX) 280L	1	
* 502	943-277	HEX. BAR WRENCH 3MM	1	EXCEPT USA,CAN
503	944-458	HEX. BAR WRENCH 4MM	1	
504	944-459	HEX. BAR WRENCH 5MM	1	
505	314-875	CASE	1	

\* : ALTERNATIVE PARTS



