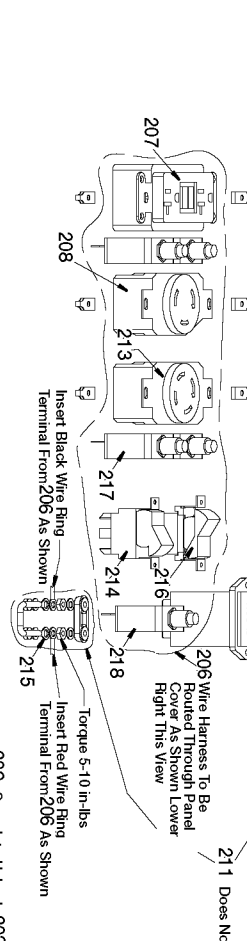


Attach Speed Clips Prior To Assembly 205 Of Devices To Face Plate

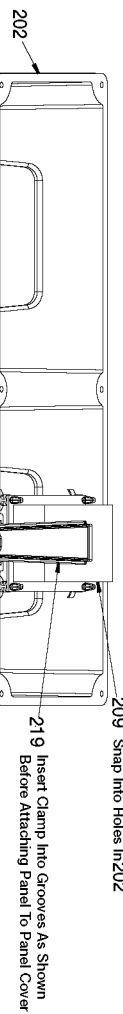
These Clips Do Not Snap On This Device They Are On The Back Side Of Device Orient To Read As Shown 212



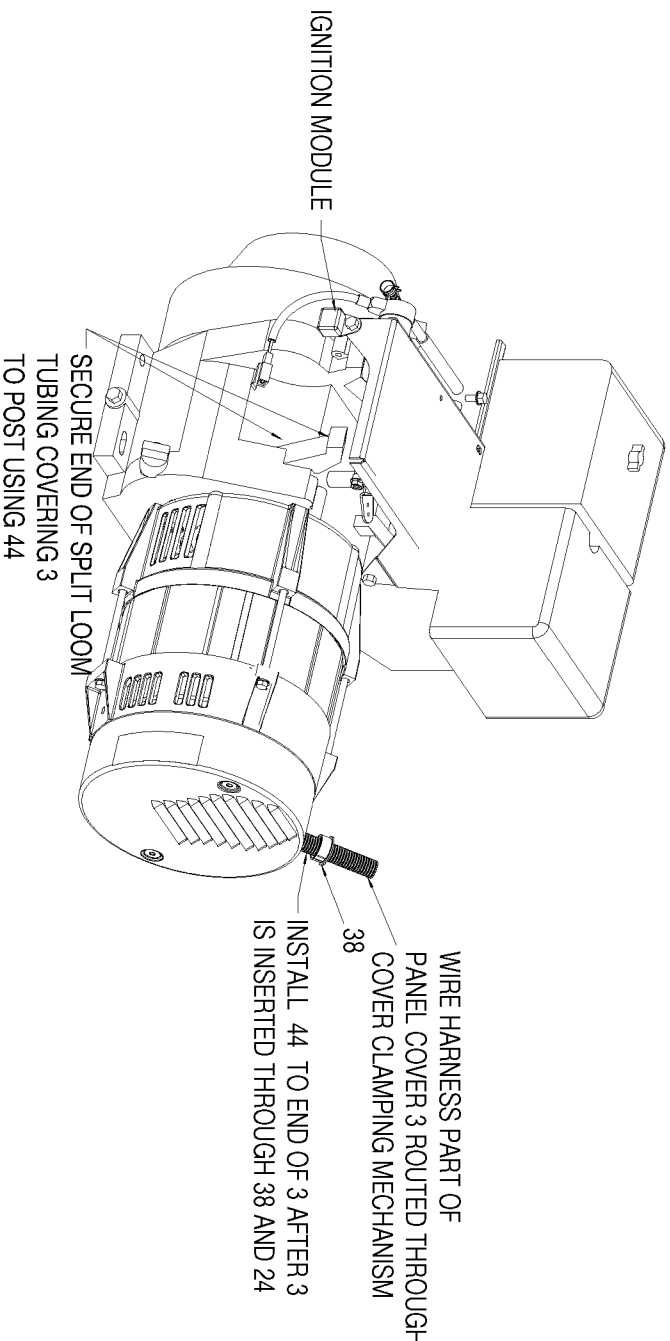
211 Does Not Include 215

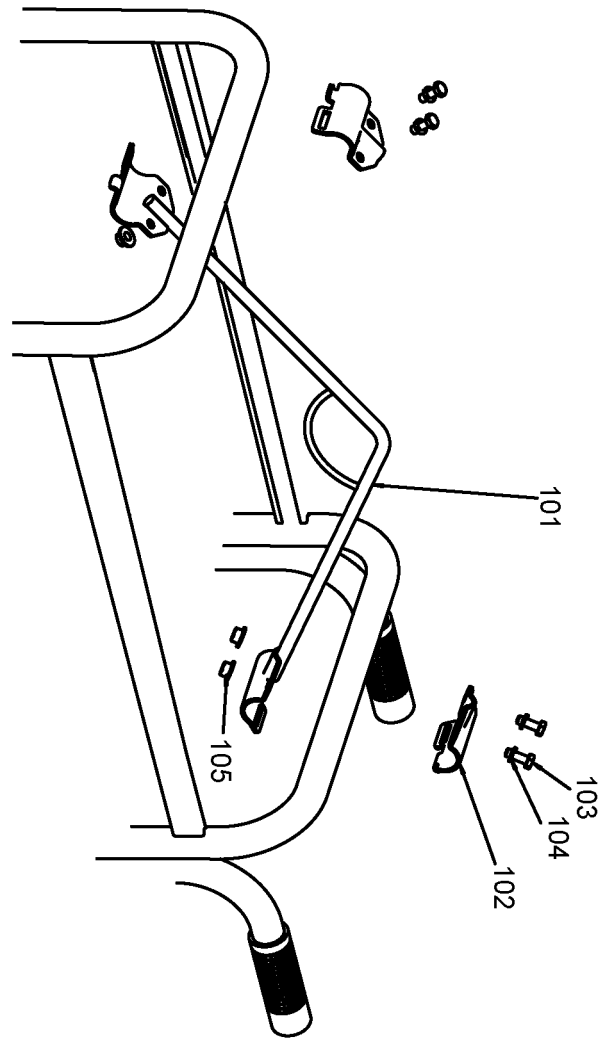
Torque 5-10 in-lbs Insert Red Wire Ring Terminal From 206 As Shown

209 Snap Into Holes In 202



219 Insert Clamp Into Grooves As Shown Before Attaching Panel To Panel Cover





Parts List for H450IS-W Type 0

Item Number	Part Number	Description	Qty Required
1	Z-GS-0795	TANK FUEL 7G SS	1
2	000000-00	No Longer Available	1
3	000000-00	No Longer Available	1
4	000000-00	No Longer Available	1
4	000000-00	No Longer Available	1
5	SSF-981	SCREW .250-14X.500 H	1
6	SSN-60-ZN	WASHER STEEL TYPE A-	1
8	SSF-8150	NUT .312-18 UNC HEX	1
9	N002562	SCREW	1
10	SSN-1619-ZN	WASHER LOCK EXTERNAL	1
11	D22311	SCREW .313-18X.875 U	1
12	GS-0118	STRAP GROUND	1
13	000000-00	No Longer Available	1
14	GS-0535	UNION REDUCER 1/4 X	1
15	GS-0227	CLAMP FUEL .50	1
18	Z-A14582	HOSE FUEL	1
19	D24273	SHIELD HEAT BSV GHC	1
20	91895680	SCREW .250-20X.750 H	1
21	GS-0863	CAP FUEL W/GAUGE	1
22	GS-0117	LUG GROUND	1
23	SSF-553-1	SCREW #10-24X.563 TH	1
24	GS-0077	COVER END BLANK	1
25	GS-0872	RESISTOR 10K OHM	2
25	GS-0871	DIODE 10AMP 1000V	2
25	Z-D27809	ASSY GEN 3.255 2D IC	1
26	000000-00	No Longer Available	1
27	GS-0437	DRAIN COCK	1

Parts List for H450IS-W Type 0

Item Number	Part Number	Description	Qty Required
28	N103455	GROMMET	1
30	SSF-627	SCREW M5X8.5X12 HEX	1
38	GS-0199	BUSHING SNAP 1 OD	1
40	GS-0459	FILTER FUEL	1
41	Z-A14582	HOSE FUEL	1
42	GS-0560	CLAMP HOSE .301 ID	1
43	SSN-632	WASHER .875 OD .375	1
45	GS-0033	ISOLATOR VIBRATION 1	1
47	SSN-1014-ZN	WASHER .339/.344 ID	1
48	SSF-549	SCREW .313-18X.50 HE	1
52	000000-00	No Longer Available	1
101	000000-00	No Longer Available	1
102	D28818	BRACKET SKYHOOK PAIN	1
103	D22311	SCREW .313-18X.875 U	1
104	5130235-00	LOCK WASHER	1
105	SSF-8150	NUT .312-18 UNC HEX	1
201	000000-00	No Longer Available	1
202	000000-00	No Longer Available	1
203	SSF-3156	SCREW #10-9X.500 THD	1
204	SSF-583	SCREW #6-32X.500 PAN	1
205	SSF-584	NUT #6-32 SPEED SELF	1
206	000000-00	No Longer Available	1
207	GS-0644	RECEPTACLE GFCI 120V	1
208	GS-0480	RECEPTACLE 125V 20A	1
209	N080007	BOARD ASSY	1
210	SSF-595	NUT .438-28 UNEF HEX	1
211	Z-GS-0728	ASSY BINDING POST SS	1

Parts List for H450IS-W Type 0

Item Number	Part Number	Description	Qty Required
212	GS-0735	METER HOUR	1
213	GS-0445	RECEPTACLE 4 PRONG T	1
214	D27260	SWITCH IDLE CONTROL	1
215	GS-0835	ASSY RESISTOR DC SHU	1
216	D27808	SWITCH FULL POWER	1
217	Z-GS-0024	BREAKER CIRCUIT 125/	1
218	GS-0681	BREAKER CIRCUIT	1