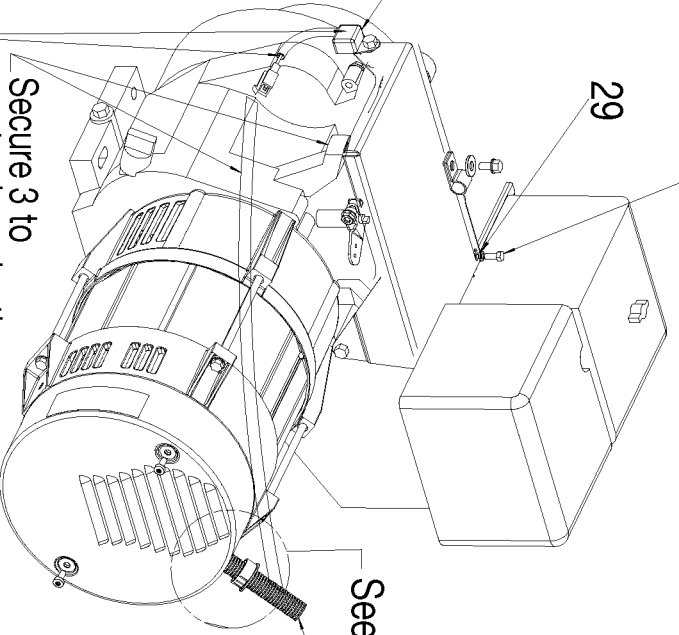


Section A-A

30 Torque 25-30 in.-lbs.

29

Ignition Module



See Section A-A

To panel cover routed through cover clamping mechanism

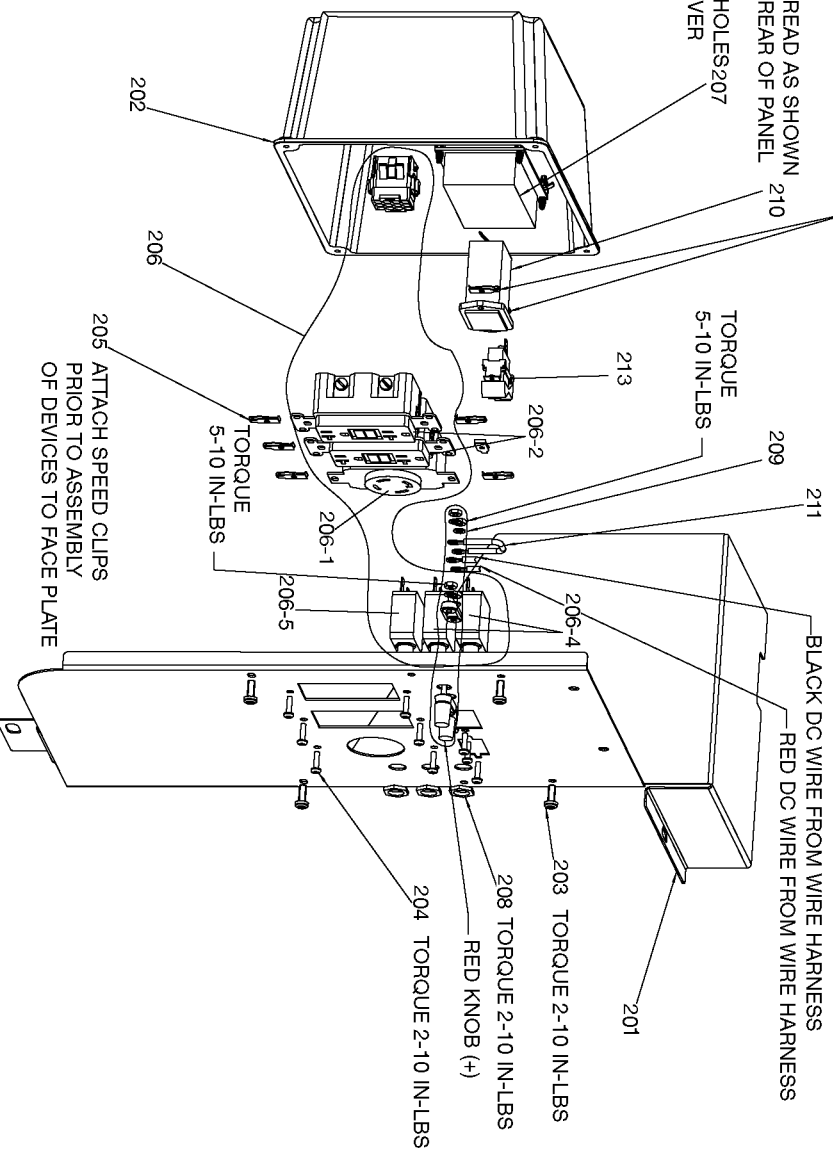
Secure 3 to post using wire tie

Route wire harness in behind the ignition module's wiring (yellow & black wires, not shown)

THESE CLIPS DO NOT SNAP ON HOUR METER THEY ARE ON BACK SIDE OF HOUR METER

ORIENT TO BE READ AS SHOWN MOUNT FROM REAR OF PANEL

SNAP INTO HOLES 207 IN REAR COVER



210

TORQUE
5-10 IN-LBS

209

211

BLACK DC WIRE FROM WIRE HARNESS
RED DC WIRE FROM WIRE HARNESS

213

206-2

206-1

TORQUE
5-10 IN-LBS

206-5

206-4

203

208

RED KNOB (+)

204

TORQUE 2-10 IN-LBS

TORQUE 2-10 IN-LBS

TORQUE 2-10 IN-LBS

TORQUE 2-10 IN-LBS

206

ATTACH SPEED CLIPS
PRIOR TO ASSEMBLY
OF DEVICES TO FACE PLATE

202

Parts List for H451CS-W Type 3

Item Number	Part Number	Description	Qty Required
1	Z-GS-0650-1	TANK FUEL 4G	1
2	000000-00	No Longer Available	1
4	000000-00	No Longer Available	1
4	000000-00	No Longer Available	1
5	SSF-981	SCREW .250-14X.500 H	1
6	330016-13	WASHER	1
8	SSF-8150	NUT .312-18 UNC HEX	1
9	N002562	SCREW	1
10	N017772	LOCK WASHER	1
12	GS-0118	STRAP GROUND	1
13	000000-00	No Longer Available	1
14	GS-0535	UNION REDUCER 1/4 X	1
15	GS-0227	CLAMP FUEL .50	1
16	000000-00	No Longer Available	1
17	D22311	SCREW .313-18X.875 U	1
18	Z-A14582	HOSE FUEL	1
19	GS-0033	ISOLATOR VIBRATION 1	1
20	91895680	SCREW .250-20X.750 H	1
21	000000-00	No Longer Available	1
22	GS-0117	LUG GROUND	1
23	SSF-553-1	SCREW #10-24X.563 TH	1
24	GS-0077	COVER END BLANK	1
25	000000-00	No Longer Available	1
26	000000-00	No Longer Available	1
27	GS-0437	DRAIN COCK	1
28	N103455	GROMMET	1
30	SSF-627	SCREW M5X8.5X12 HEX	1

Parts List for H451CS-W Type 3

Item Number	Part Number	Description	Qty Required
36	SSN-632	WASHER .875 OD .375	1
40	GS-0459	FILTER FUEL	1
41	Z-A14582	HOSE FUEL	1
42	GS-0560	CLAMP HOSE .301 ID	1
46	SSF-925	SCREW .250-20X.875 H	1
104	GS-0872	RESISTOR 10K OHM	2
104	GS-0871	DIODE 10AMP 1000V	2
201	000000-00	No Longer Available	1
202	D26376	COVER COMPACT PANEL	1
203	SSF-3156	SCREW #10-9X.500 THD	1
204	SSF-583	SCREW #6-32X.500 PAN	1
205	SSF-584	NUT #6-32 SPEED SELF	1
206	000000-00	No Longer Available	1
206	GS-0445	RECEPTACLE 4 PRONG T	1
206	GS-0644	RECEPTACLE GFCI 120V	2
206	Z-GS-0024	BREAKER CIRCUIT 125/	1
206	GS-0681	BREAKER CIRCUIT	1
207	N080007	BOARD ASSY	1
208	SSF-595	NUT .438-28 UNEF HEX	1
209	Z-GS-0728	ASSY BINDING POST SS	1
210	GS-0735	METER HOUR	1
211	GS-0835	ASSY RESISTOR DC SHU	1
213	D27260	SWITCH IDLE CONTROL	1