

TORQUE 96-120 IN-LBS

TORQUE 45-55 IN-LBS

ORIENT AS SHOWN

TORQUE 60-70 IN-LBS

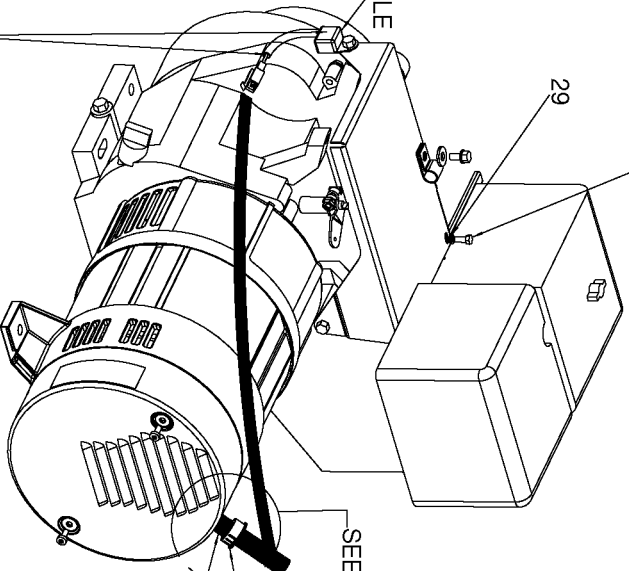
27 LUBE WITH LIGHT OIL
OR SOAP PRIOR
TO INSTALLATION

28 LUBE WITH LIGHT OIL
OR SOAP PRIOR
TO INSTALLATION

30 TORQUE 25-30 IN-LBS

29

IGNITION MODULE



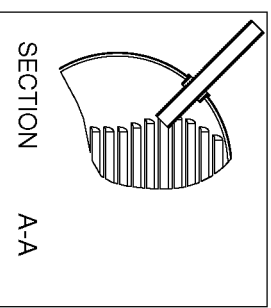
ROUTE WIRE HARNESS IN BEHIND THE IGNITION MODULE'S WIRING (YELLOW & BLACK WIRES, NOT SHOWN)

SEE SECTION A-A

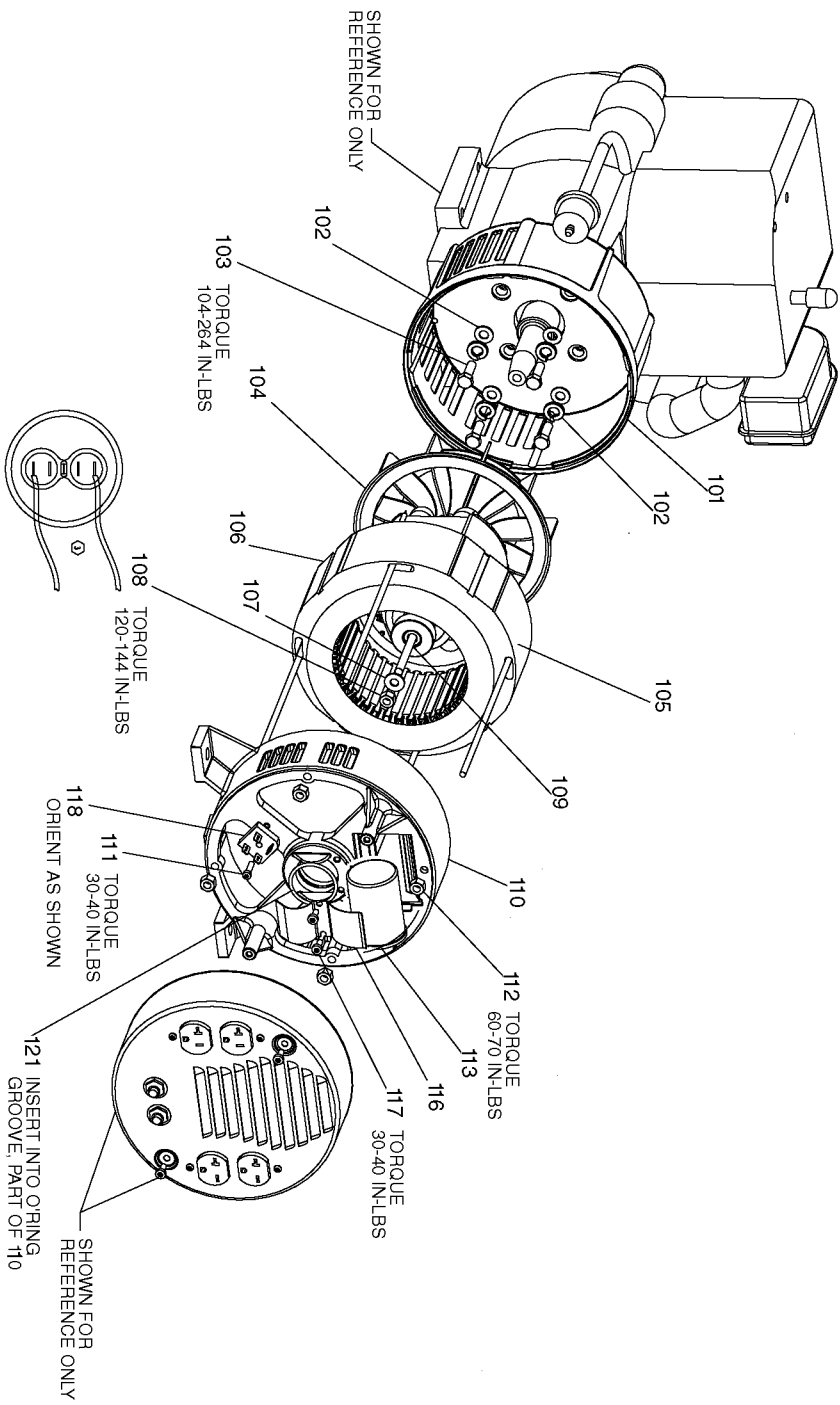
44 SNAP INTO REAR PANEL ASSEMBLY

38

INSTALL WIRE TIE TO 44 AFTER INSERTING 44 THROUGH BUSHING (38) AND ENDCOVER



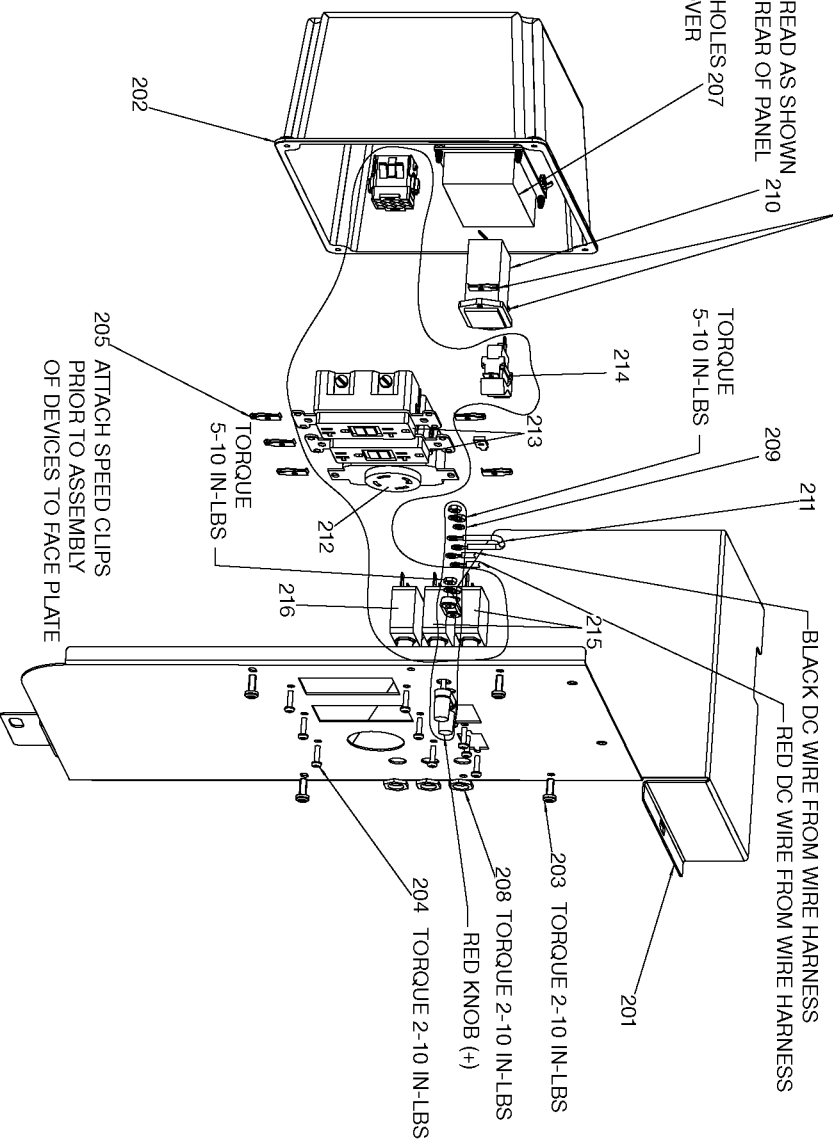
SECTION A-A



THESE CLIPS DO NOT SNAP ON HOUR METER THEY ARE ON BACK SIDE OF HOUR METER

ORIENT TO BE READ AS SHOWN MOUNT FROM REAR OF PANEL

SNAP INTO HOLES 207 IN REAR COVER



Parts List for H451CS-W Type 2

Item Number	Part Number	Description	Qty Required
1	Z-GS-0650-1	TANK FUEL 4G	1
4	000000-00	No Longer Available	1
4	000000-00	No Longer Available	1
5	SSF-981	SCREW .250-14X.500 H	1
6	330016-13	WASHER	1
7	GS-0433	ISOLATOR	1
8	SSF-8150	NUT .312-18 UNC HEX	1
9	N002562	SCREW	1
10	N017772	LOCK WASHER	1
11	SS-12-CD	SCREW .313-18X.750 H	1
12	GS-0118	STRAP GROUND	1
13	000000-00	No Longer Available	1
14	GS-0535	UNION REDUCER 1/4 X	1
15	GS-0227	CLAMP FUEL .50	1
17	D22311	SCREW .313-18X.875 U	1
18	Z-A14582	HOSE FUEL	1
19	GS-0033	ISOLATOR VIBRATION 1	1
20	91895680	SCREW .250-20X.750 H	1
21	000000-00	No Longer Available	1
22	GS-0117	LUG GROUND	1
23	SSF-553-1	SCREW #10-24X.563 TH	1
24	GS-0077	COVER END BLANK	1
25	000000-00	No Longer Available	1
26	000000-00	No Longer Available	1
27	GS-0437	DRAIN COCK	1
28	N103455	GROMMET	1
30	SSF-627	SCREW M5X8.5X12 HEX	1

Parts List for H451CS-W Type 2

Item Number	Part Number	Description	Qty Required
36	SSN-632	WASHER .875 OD .375	1
38	000000-00	No Longer Available	1
40	GS-0459	FILTER FUEL	1
41	Z-A14582	HOSE FUEL	1
42	GS-0560	CLAMP HOSE .301 ID	1
46	SSF-925	SCREW .250-20X.875 H	1
101	000000-00	No Longer Available	1
102	SSN-619	WASHER .375 SPRING L	1
103	SSF-577	SCREW .375-16X1.00 H	1
104	D29822	KIT SERVICE FOCUS MO	1
104	Z-D27809	ASSY GEN 3.255 2D IC	1
105	000000-00	No Longer Available	1
106	D29822	KIT SERVICE FOCUS MO	1
106	Z-D27809	ASSY GEN 3.255 2D IC	1
107	330016-13	WASHER	1
108	SSF-576	NUT .313-24 HEX W/KE	1
109	000000-00	No Longer Available	1
110	Z-GS-0861	KIT ORING BEARING SU	1
111	SSF-3158-1	SCREW #10-24X.750 TH	1
112	SSF-575	NUT .250-20 HEX W/KE	1
113	GS-0748	CAPACITOR 40UF 370V	1
116	GS-0595	BRACKET CAPACITOR 2.	1
117	SSF-553-1	SCREW #10-24X.563 TH	1
118	GS-0767	RECTIFIER	1
121	GS-0862	O-RING ROTOR BEARING	1
201	000000-00	No Longer Available	1
202	D26376	COVER COMPACT PANEL	1

Parts List for H451CS-W Type 2

Item Number	Part Number	Description	Qty Required
203	SSF-3156	SCREW #10-9X.500 THD	1
204	SSF-583	SCREW #6-32X.500 PAN	1
205	SSF-584	NUT #6-32 SPEED SELF	1
207	N080007	BOARD ASSY	1
208	SSF-595	NUT .438-28 UNEF HEX	1
209	Z-GS-0728	ASSY BINDING POST SS	1
210	GS-0735	METER HOUR	1
211	GS-0835	ASSY RESISTOR DC SHU	1
212	GS-0445	RECEPTACLE 4 PRONG T	1
213	GS-0644	RECEPTACLE GFCI 120V	2
214	GS-0679	SWITCH IDLE CONTROL	1
215	Z-GS-0024	BREAKER CIRCUIT 125/	2
216	GS-0681	BREAKER CIRCUIT	1