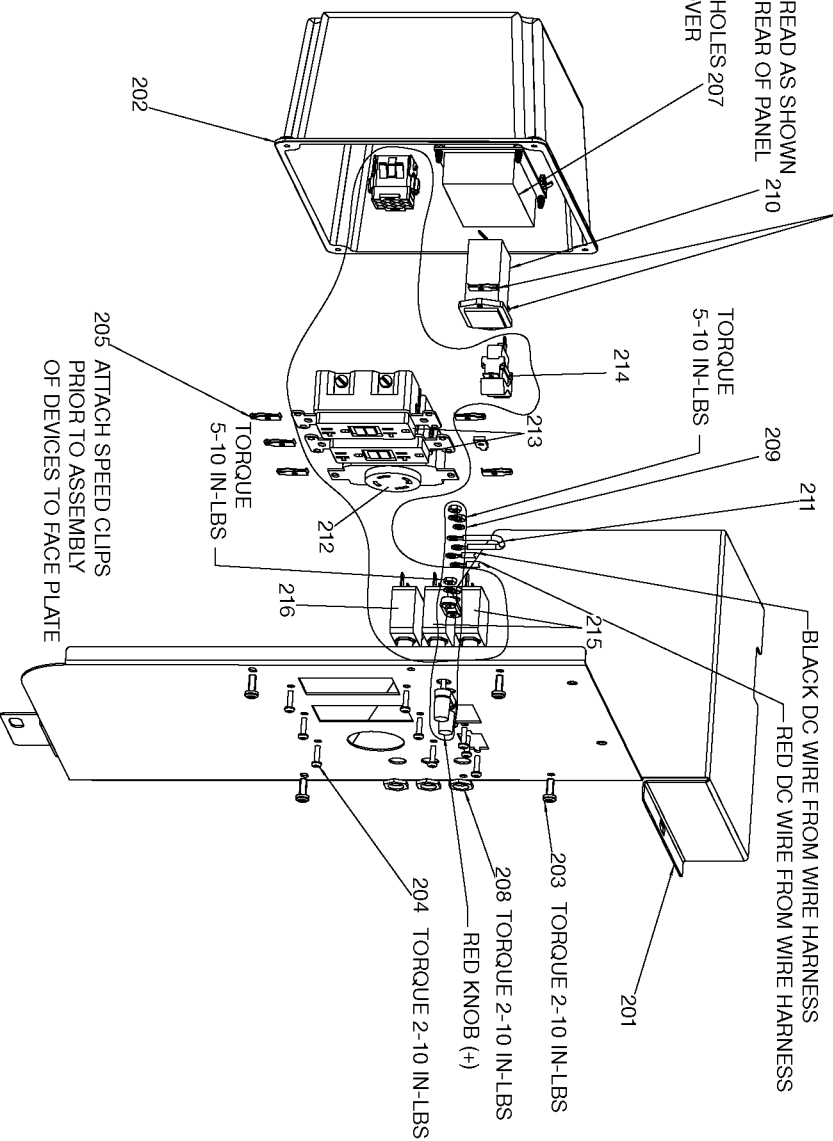


THESE CLIPS DO NOT SNAP ON HOUR METER THEY ARE ON BACK SIDE OF HOUR METER

ORIENT TO BE READ AS SHOWN MOUNT FROM REAR OF PANEL

SNAP INTO HOLES 207 IN REAR COVER



205 ATTACH SPEED CLIPS PRIOR TO ASSEMBLY OF DEVICES TO FACE PLATE

BLACK DC WIRE FROM WIRE HARNESS

RED DC WIRE FROM WIRE HARNESS

TORQUE 5-10 IN-LBS

214

213

TORQUE 5-10 IN-LBS

212

TORQUE 5-10 IN-LBS

216

215

211

209

210

207

202

201

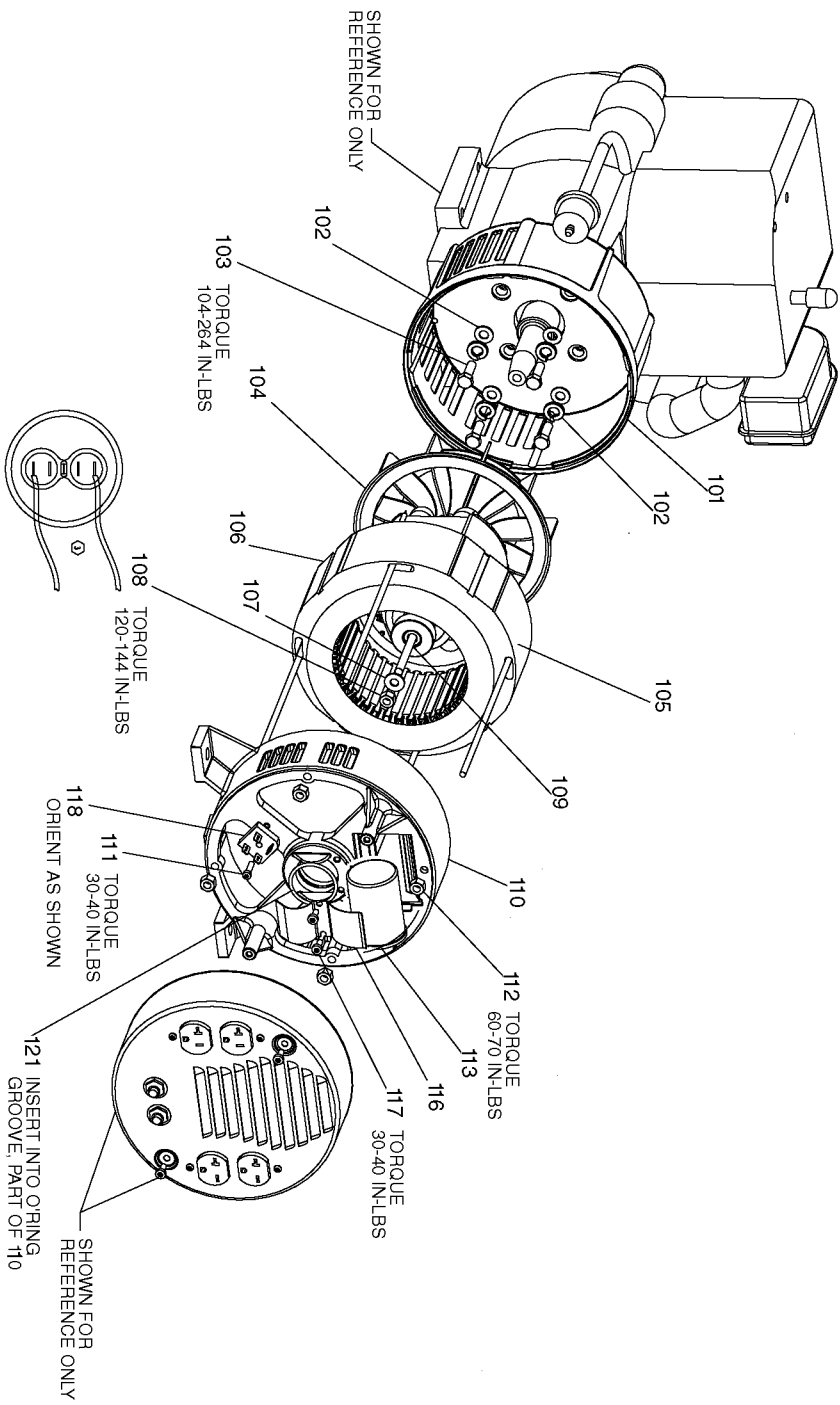
208 TORQUE 2-10 IN-LBS

RED KNOB (+)

204 TORQUE 2-10 IN-LBS

203 TORQUE 2-10 IN-LBS

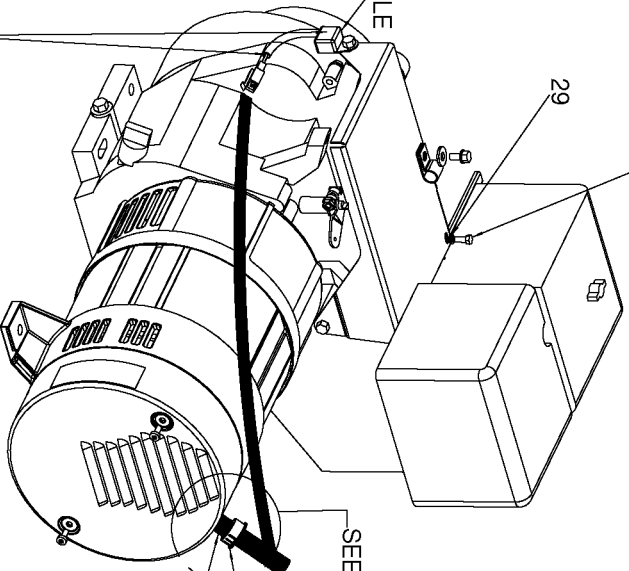
205



30 TORQUE 25-30 IN-LBS

29

IGNITION MODULE

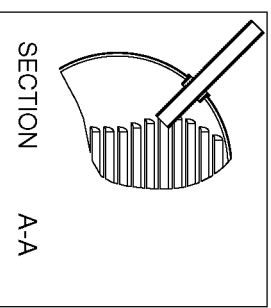


SEE SECTION A-A

44 SNAP INTO REAR PANEL ASSEMBLY

38

INSTALL WIRE TIE TO 44 AFTER INSERTING 44 THROUGH BUSHING (38) AND ENDCOVER



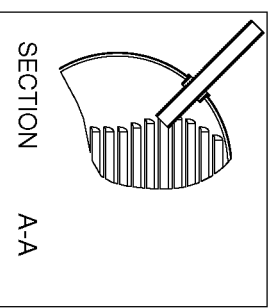
SECTION A-A

ROUTE WIRE HARNESS IN BEHIND THE IGNITION MODULE'S WIRING (YELLOW & BLACK WIRES, NOT SHOWN)

30 TORQUE 25-30 IN-LBS

29

IGNITION MODULE



SECTION A-A

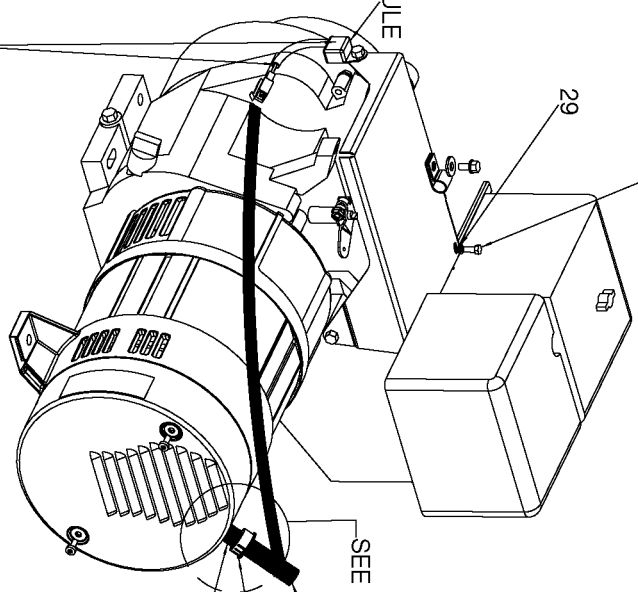
SEE SECTION A-A

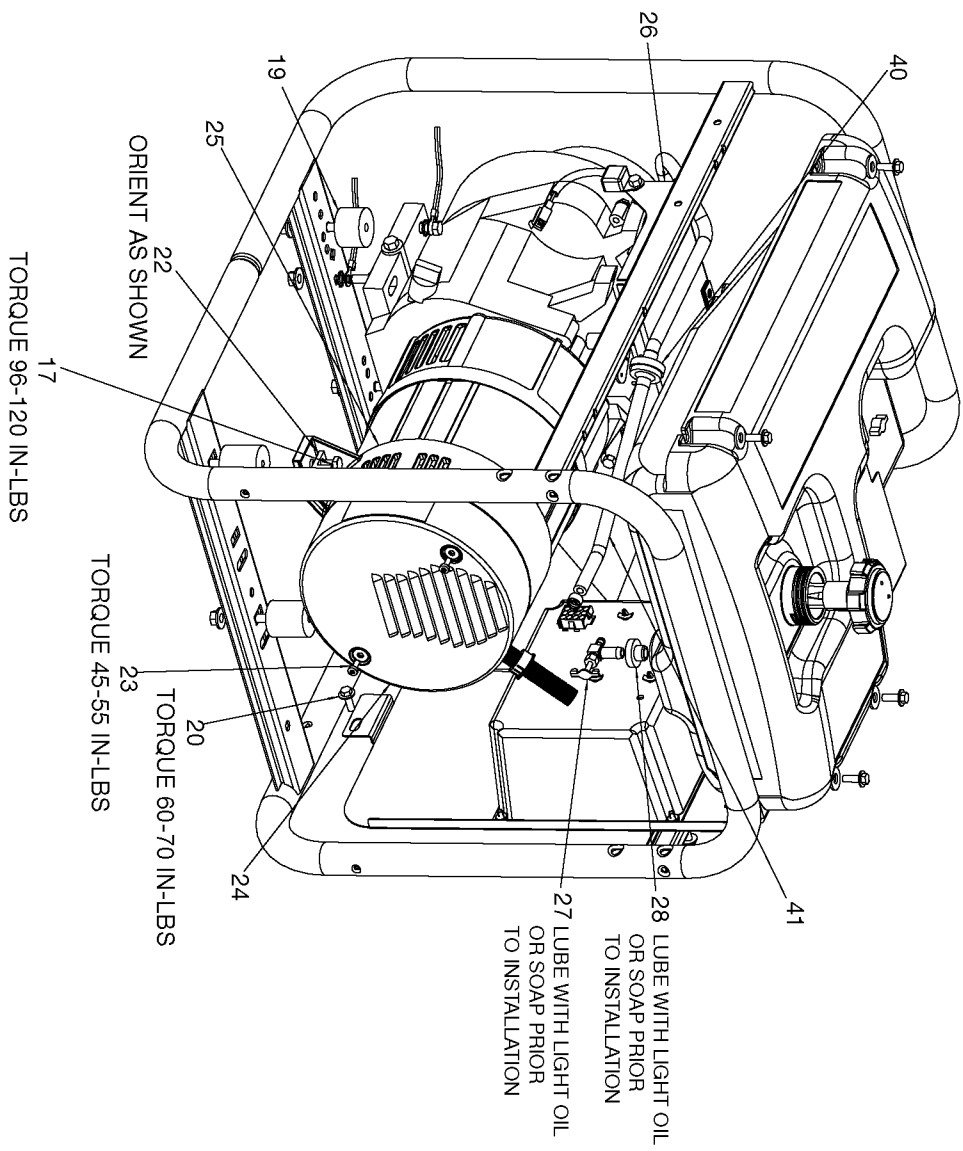
44 SNAP INTO REAR PANEL ASSEMBLY

38

INSTALL WIRE TIE TO 44 AFTER INSERTING 44 THROUGH BUSHING (38) AND ENDCOVER

ROUTE WIRE HARNESS IN BEHIND THE IGNITION MODULE'S WIRING (YELLOW & BLACK WIRES, NOT SHOWN)





Parts List for H451CS-W Type 1

Item Number	Part Number	Description	Qty Required
1	Z-GS-0650-1	TANK FUEL 4G	1
2	000000-00	No Longer Available	1
4	000000-00	No Longer Available	1
4	000000-00	No Longer Available	1
5	SSF-981	SCREW .250-14X.500 H	1
6	SSN-60-ZN	WASHER STEEL TYPE A-	1
7	GS-0433	ISOLATOR	1
8	SSF-8150	NUT .312-18 UNC HEX	1
9	N002562	SCREW	1
10	N017772	LOCK WASHER	1
11	SS-12-CD	SCREW .313-18X.750 H	1
12	GS-0118	STRAP GROUND	1
13	000000-00	No Longer Available	1
14	GS-0535	UNION REDUCER 1/4 X	1
15	GS-0227	CLAMP FUEL .50	1
17	D22311	SCREW .313-18X.875 U	1
18	Z-A14582	HOSE FUEL	1
19	GS-0033	ISOLATOR VIBRATION 1	1
20	91895680	SCREW .250-20X.750 H	1
21	000000-00	No Longer Available	1
22	GS-0117	LUG GROUND	1
23	SSF-553-1	SCREW #10-24X.563 TH	1
24	GS-0077	COVER END BLANK	1
25	000000-00	No Longer Available	1
26	000000-00	No Longer Available	1
27	GS-0437	DRAIN COCK	1
28	N103455	GROMMET	1

Parts List for H451CS-W Type 1

Item Number	Part Number	Description	Qty Required
30	SSF-627	SCREW M5X8.5X12 HEX	1
36	SSN-632	WASHER .875 OD .375	1
38	000000-00	No Longer Available	1
40	GS-0459	FILTER FUEL	1
41	Z-A14582	HOSE FUEL	1
42	GS-0560	CLAMP HOSE .301 ID	1
46	SSF-925	SCREW .250-20X.875 H	1
101	000000-00	No Longer Available	1
102	SSN-619	WASHER .375 SPRING L	1
103	SSF-577	SCREW .375-16X1.00 H	1
104	D29822	KIT SERVICE FOCUS MO	1
104	Z-D27809	ASSY GEN 3.255 2D IC	1
105	000000-00	No Longer Available	1
106	D29822	KIT SERVICE FOCUS MO	1
106	Z-D27809	ASSY GEN 3.255 2D IC	1
107	SS-6506-CD	WASHER FLAT	1
108	SSF-576	NUT .313-24 HEX W/KE	1
109	000000-00	No Longer Available	1
110	Z-GS-0861	KIT ORING BEARING SU	1
111	SSF-3158-1	SCREW #10-24X.750 TH	1
112	SSF-575	NUT .250-20 HEX W/KE	1
113	GS-0748	CAPACITOR 40UF 370V	1
116	GS-0595	BRACKET CAPACITOR 2.	1
117	SSF-553-1	SCREW #10-24X.563 TH	1
118	GS-0767	RECTIFIER	1
121	GS-0862	O-RING ROTOR BEARING	1
201	000000-00	No Longer Available	1

Parts List for H451CS-W Type 1

Item Number	Part Number	Description	Qty Required
202	D26376	COVER COMPACT PANEL	1
203	SSF-3156	SCREW #10-9X.500 THD	1
204	SSF-583	SCREW #6-32X.500 PAN	1
205	SSF-584	NUT #6-32 SPEED SELF	1
207	N080007	BOARD ASSY	1
208	SSF-595	NUT .438-28 UNEF HEX	1
209	Z-GS-0728	ASSY BINDING POST SS	1
210	GS-0735	METER HOUR	1
211	GS-0835	ASSY RESISTOR DC SHU	1
212	GS-0445	RECEPTACLE 4 PRONG T	1
213	GS-0644	RECEPTACLE GFCI 120V	2
214	GS-0679	SWITCH IDLE CONTROL	1
215	Z-GS-0024	BREAKER CIRCUIT 125/	2
216	GS-0681	BREAKER CIRCUIT	1
401	SSF-3121-ZN	SCREW .313-18X1.75 H	8
402	000000-00	No Longer Available	4
403	000000-00	No Longer Available	2
404	SSF-8150	NUT .312-18 UNC HEX	12
405	000000-00	No Longer Available	2
406	000000-00	No Longer Available	4
407	D26843	KIT GENERATOR FHWK	2
408	000000-00	No Longer Available	2
409	000000-00	No Longer Available	2
410	000000-00	No Longer Available	2
411	SSF-591	WASHER .625 PUSH NUT	1
412	000000-00	No Longer Available	1
413	GS-0213-1	SPACER AXLE	2

Parts List for H451CS-W Type 1

Item Number	Part Number	Description	Qty Required
414	D23067	WHEEL PNEUMATIC 10IN	2
415	SSN-623	WASHER FLAT STEEL 1.	1
416	SSN-622	PIN COTTER 7/64 X 1.	1
417	D24186	BRACKET WHEEL PAINTE	2
418	SS-12-CD	SCREW .313-18X.750 H	4
419	D24177	BRACKET FOOT 10 WK	2
420	SS-655-ZN	NUT .250-20 UNC HEX	2
421	000000-00	No Longer Available	2
422	D24721	KIT ISOLATOR W/SCREW	2
423	91895680	SCREW .250-20X.750 H	6