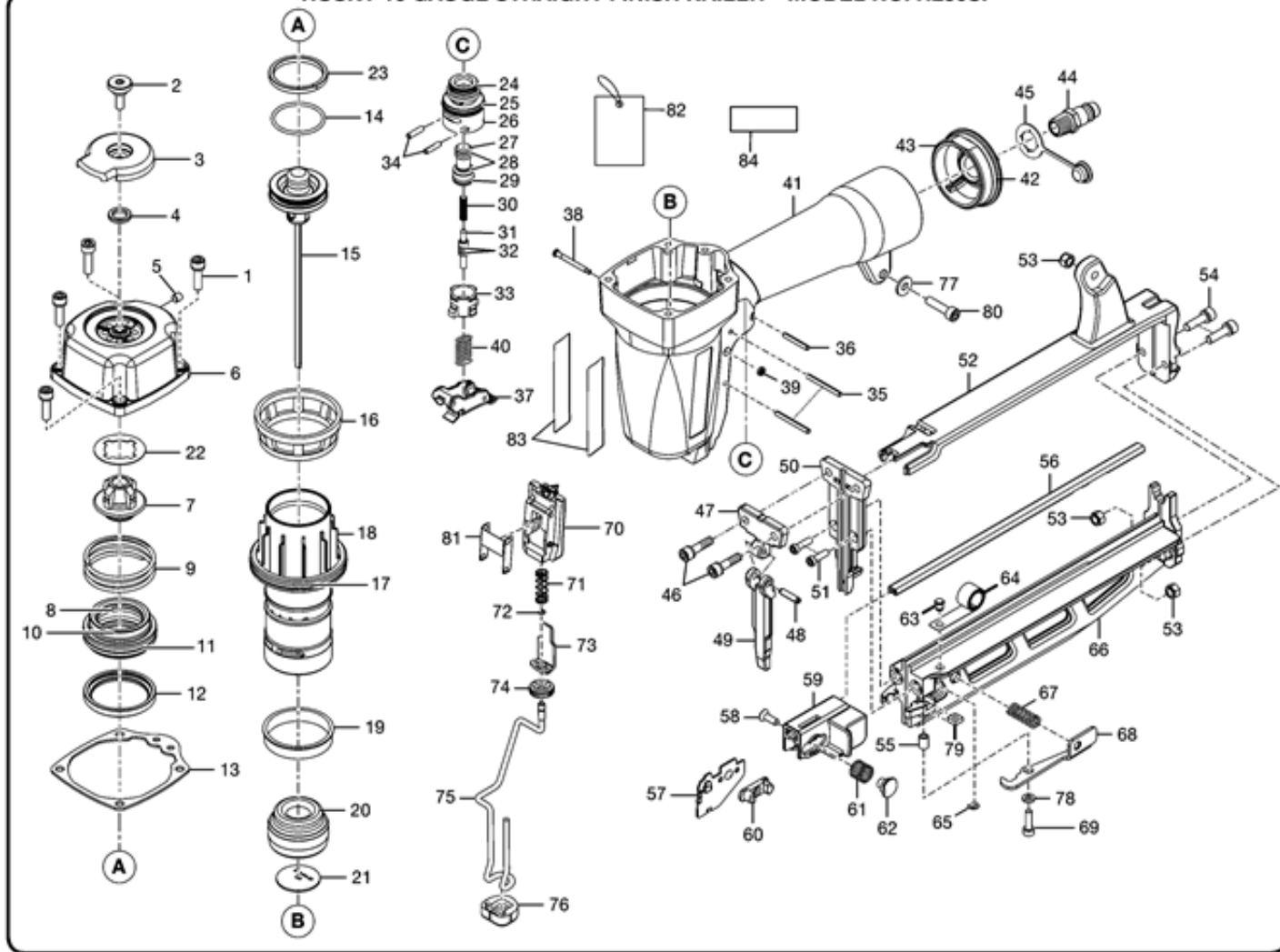


HUSKY 16 GAUGE STRAIGHT FINISH NAILER - MODEL NO. H250SF



Ref #	Part #	Description	Qty	Context Note	Foot Note
1	079001001001	BOLT ASSY (M5 x 0.8-20 mm)	4		
2	079003001002	DEFLECTOR BOLT	1		
3	079027003001	DEFLECTOR	1		
4	079003001004	RUBBER PAD	1		
5	079002001008	SCREW (M5 x 0.8-05 mm, HEX. SOC. HD.)	1		
6	079027003002	CAP	1		
7	079003001007	SEAL	1		
8	079003001008	O - RING (29.5 x 2)	1		
9	079003001009	COMPRESSION SPRING	1		
10	079027003003	HEAD VALVE PISTON	1		
11	079003001011	O - RING (43 x 2.4)	1		
12	079003001012	COLLAR	1		
13	079027003004	SEAL	1		
14	079003001015	O - RING (31 x 2)	1		
15	079027003005	DRIVER UNIT	1		
16	079003001017	CYLINDER PRESS RING	1		
17	079003001018	O - RING (58 x 2.5)	1		
18	079003001019	CYLINDER	1		
19	079003001020	CYLINDER RING	1		
20	079003001021	BUMPER	1		
21	079003001022	DRIVER GUIDE	1		
22	079003001023	SEAL GASKET	1		
23	079003001014	PISTON RING	1		
24	079002001029	O - RING (12.42 x 1.78)	1		
25	079002001030	O - RING (18.72 x 2.62)	1		
26	079002001031	PLUNGER CAP	1		
27	079002001034	VALVE PLUNGER	1		
28	079002001032	O - RING (5.8 x 1.9)	2		
29	079002001033	O - RING (8.8 x 1.9)	1		
30	079002001035	SPRING	1		
31	079002001037	PLUNGER	1		
32	079001001024	O - RING (2.5 x 1.5) TRIGGER VALVE	2		

33	079002001038	HEAD	1
34	079002001039	SPRING PIN (3-12)	2
35	079002001040	SPRING PIN (3-30)	2
36	079003001037	SPRING PIN (3-22)	1
37	079027003006	TRIGGER UNIT	1
38	079002001045	TRIGGER PIVOT PIN	1
39	079001001029	RETAINER	1
40	079002001046	SPRING	1
41	079027003007	TOOL HOUSING	1
42	079003001045	O - RING (43 x 2.8)	1
43	079027003008	END CAP (NPT 1/4 -18)	1
44	079027003009	AIR PLUG (NPT 1/4 -18)	1
45	079027003010	AIR PLUG CAP	1
46	079003001054	BOLT ASSY (M5 x 0.8- 20 mm)	2
47	079027003011	DRIVER GUIDE COVER B	1
48	079027003012	SPIRAL PIN (4-16)	1
49	079027003013	DRIVER GUIDE COVER A	1
50	079027003014	DRIVER GUIDE	1
51	079027003015	SCREW (M4 x 0.7-12 mm, HEX. SOC HD.)	2
52	079027003902	MAGAZINE "B" W/ SPEC/DATA & WARNING LABEL	1
53	079003001081	LOCK NUT (M5 x 0.8)	3
54	079004001046	BOLT ASSY (M5 x 0.8- 18 mm)	2
55	079027003017	MAGAZINE SPACER	1
56	079003001077	STEEL CHANNEL	1
57	079027003019	PUSHER	1
58	079003001072	TAP BOLT (M4 x 0.7-12 mm)	1
59	079027003020	HOOD COVER	1
60	079027003021	ANCHOR BLOCK	1
61	079027003022	PUSHER SPRING	1
62	079027003023	DOOR LATCH	1

63	079003001066	BRACKET	1	
64	079003001067	SPRING	1	
65	079003001068	E - CLIP	1	
66	079027003024	MAGAZINE A	1	
67	079027003025	TORSION SPRING	1	
68	079027003026	LATCH	1	
69	079027003027	SCREW (M4 x 0.7-14 mm, HEX. SOC. HD.)	1	
70	079027003028	WORKPIECE GUIDE	1	
71	079027003029	WORKPIECE SPRING	1	
72	079027003030	C-RING	1	
73	079027003031	WORKPIECE "B"	1	
74	079027003032	ADJUST AXLE	1	
75	079027003033	WORKPIECE "A"	1	
76	079027003034	NO MAR PAD	1	
77	079006001078	WASHER (D13 x D5.3 x T1.5)	1	
78	079027003035	WASHER (D8 x D4.2 x T1.5)	1	
79	079027003036	NUT (M 4 x 0.7)	1	
80	079004001083	SCREW (M5 x 0.8-20 mm)	1	
81	079027003037	WORKPIECE DRIVER GUIDE	1	
82	079027003705	HANG TAG	1	
83	079027003900	LOGO LABEL	1	
84	079027003901	SPEC/DATA & WARNING LABEL	1	
85	079027003700	WRENCH KIT W/AIR TOOL OIL (3 mm & 4 mm)	1	(Not Shown)
86	079027003701	OVERHAUL MAINTAINENCE KIT	1	INCL.7-8, 11-14, 17,19-20, 23, 24-34, 38-39, INSTRUCTION SHEET & LUBRICANT (Not Shown)
87	079027003702	DRIVER MAINTAINENCE KIT	1	INCL.13, 15, 20, 23 INSTRUCTION SHEET & LUBRICANT (Not Shown)
88	079027003703	DRIVER ASSY.	1	INCL. 14, 15, 23, INSTRUCTION SHEET & LUBRICANT (Not Shown)
	987000155	OPERATOR'S MANUAL (H250SF)	1	(Not Shown)