



BOSCH

Window Cleaner

GlassVac | 3 600 HB7 080

Table of Content

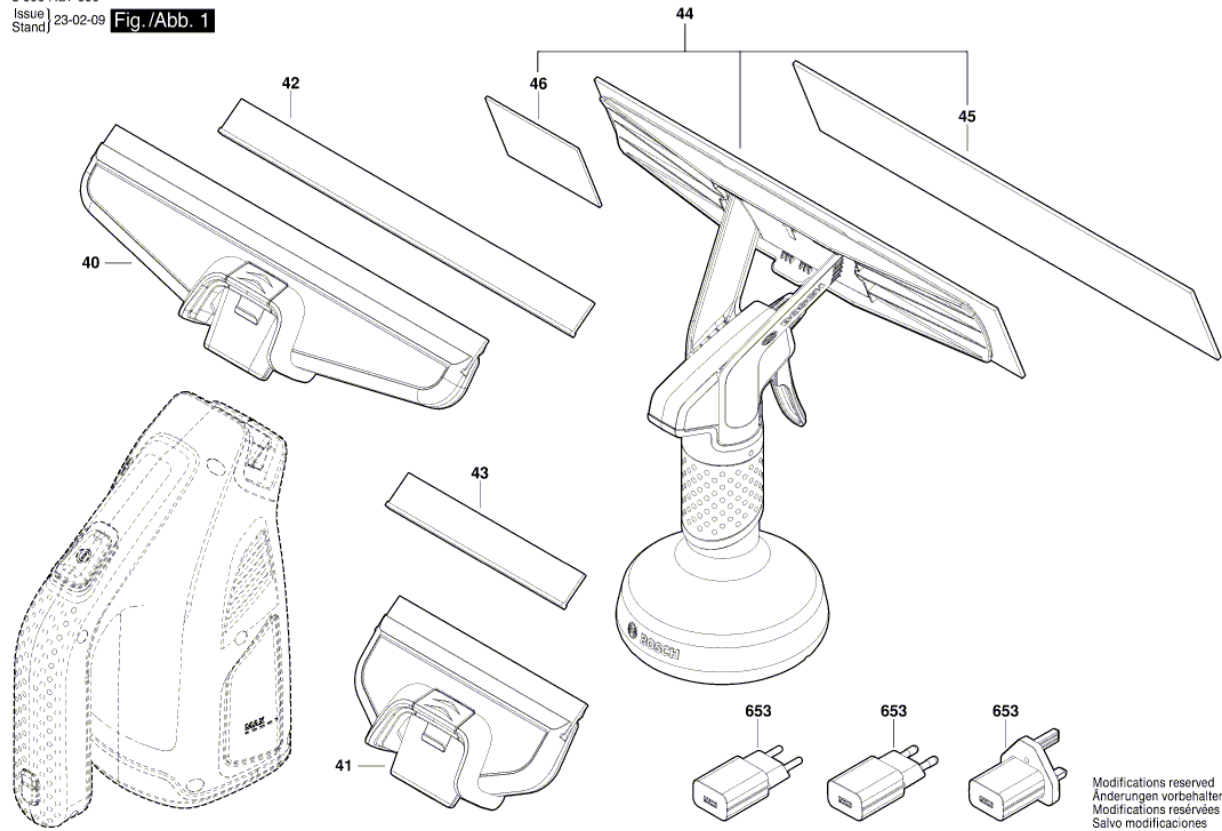
Spare parts list.....	2
Illustration - Type.....	3

Spare parts list

Item	Part Number	Description	
40	F 016 F05 263	Wiper 266mm	
41	F 016 F05 264	Wiper 133mm	
42	F 016 F05 265	Wiper Rubber 266mm	
43	F 016 F05 266	Wiper Rubber 133mm	
44	F 016 F05 267	spray device	
45	F 016 F05 268	Cleaning Cloth	
46	F 016 F05 269	Cleaning Cloth	
653	1 607 000 CH1	Charger Asien 230/5V	
50	F 016 F05 364	spray device	

Illustration - Type - E

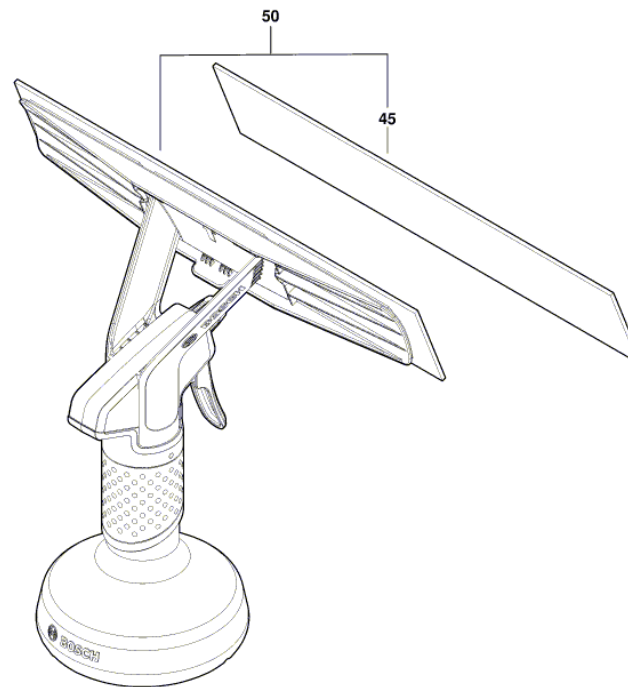
3 600 HB7 000
Issue | 23-02-09
Stand | **Fig./Abb. 1**



Modifications reserved
Änderungen vorbehalten
Modifications réservées
Salvo modificaciones

Illustration - Type - E

3 600 HB7 000
Issue | 18-12-06
Stand | **Fig./Abb. 2**



Modifications reserved
Änderungen vorbehalten
Modifications réservées
Salvo modificaciones