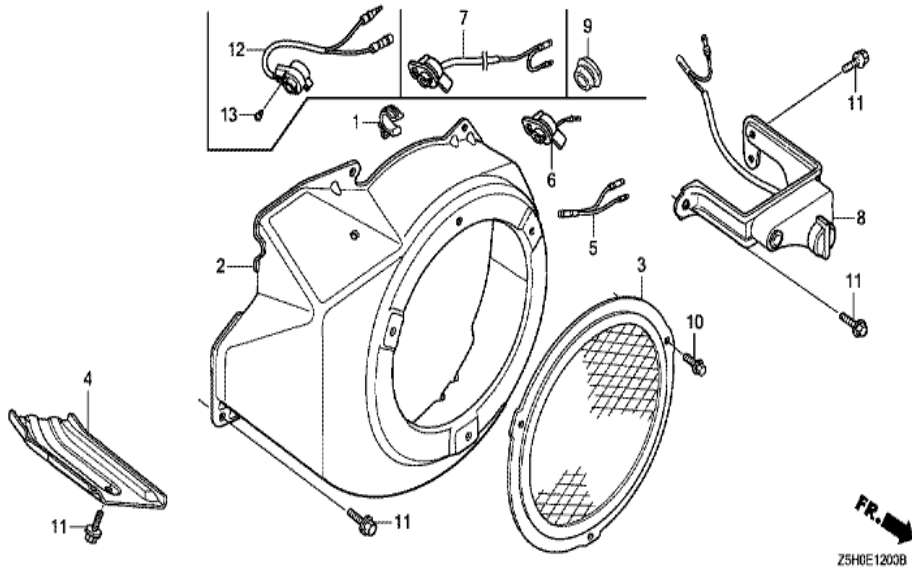


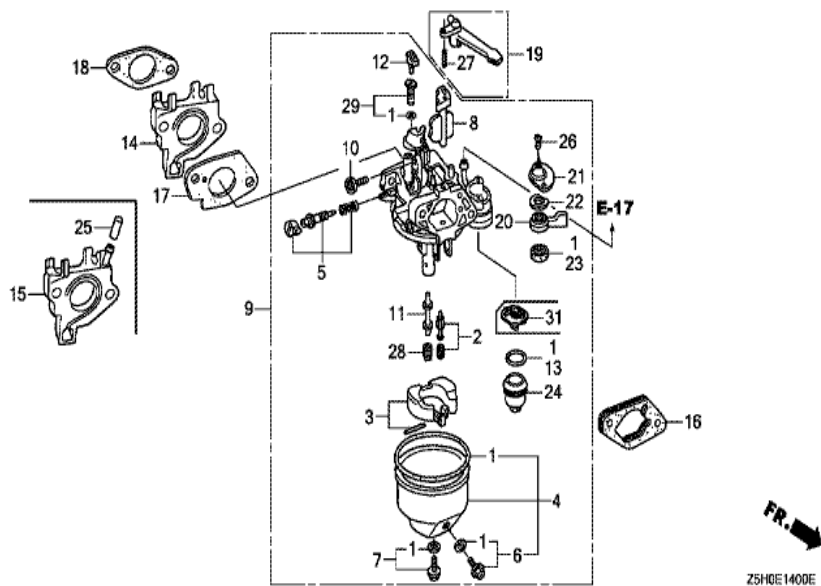
Z5H0E1100A

| <u>Ref</u> | <u>Partnumber</u> | <u>Description</u>                 | <u>GX270U</u> | <u>Serial Numbers</u> |
|------------|-------------------|------------------------------------|---------------|-----------------------|
| 001        | 28400-ZE2-W01ZN   | STARTER ASSY., RECOIL *R280 *      | 1             | 1232633               |
| 001        | 28400-ZE2-W02ZN   | STARTER ASSY., RECOIL *R280*       | 1             | 1232634               |
| 002        | 28410-ZE2-W01ZN   | CASE COMP., RECOIL STARTER *R280 * | 1             |                       |
| 003        | 28421-ZE2-W01     | PULLEY, RECOIL STARTER             | 1             |                       |
| 004        | 28422-ZE2-W01     | RATCHET, STARTER                   | 2             |                       |
| 005        | 28441-ZE2-W01     | SPRING, FRICTION                   | 1             |                       |
| 006        | 28442-ZE2-W01     | SPRING, STARTER RETURN             | 1             |                       |
| 007        | 28443-ZE2-W01     | SPRING, RATCHET                    | 2             |                       |
| 008        | 28444-ZE2-W01     | RETAINER, SPRING                   | 1             |                       |
| 009        | 28461-ZE2-W02     | GRIP, STARTER                      | 1             | 1232633               |
| 009        | 28461-ZE2-W03     | GRIP, STARTER                      | 1             | 1232634               |
| 010        | 28462-ZE2-W11     | ROPE, RECOIL STARTER               | 1             |                       |
| 011        | 90004-ZE2-W01     | SCREW, CENTER                      | 1             |                       |
| <u>Ref</u> | <u>Partnumber</u> | <u>Description</u>                 | <u>GX270U</u> | <u>Serial Numbers</u> |
| 012        | 90008-ZE2-003     | BOLT, FLANGE, 6X10                 | 3             |                       |



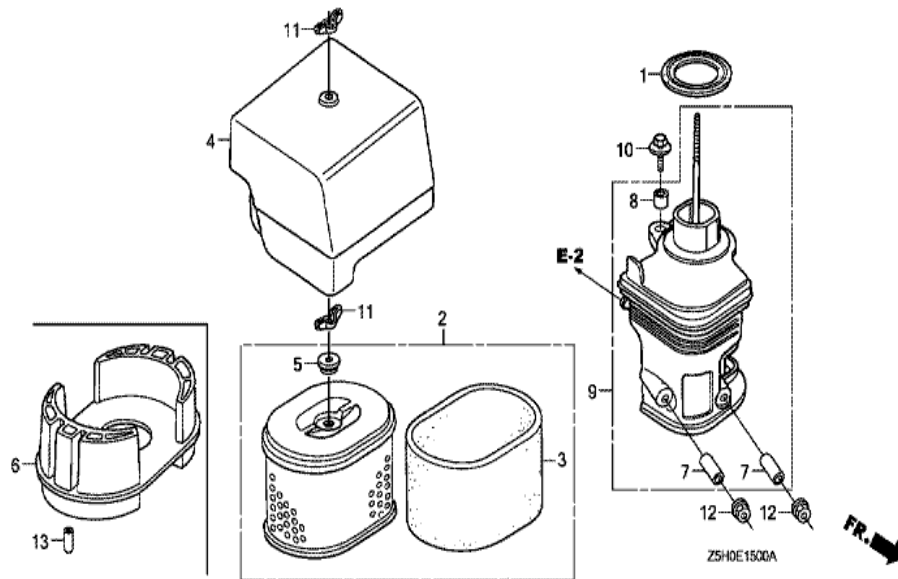
FR. →  
Z5H0E1200B

| Ref | Partnumber      | Description                | GX270U | Serial Numbers |
|-----|-----------------|----------------------------|--------|----------------|
| 001 | 16731-ZE2-003   | CLIP, TUBE                 | 1      |                |
| 002 | 19610-ZE2-010ZL | COVER COMP., FAN *R280 *   | 1      |                |
| 004 | 19631-ZE2-D00   | SHROUD                     | 1      |                |
| 007 | 36100-ZF6-P81   | SWITCH ASSY., ENGINE STOP  | 1      | 1183069        |
| 007 | 36100-ZF6-P82   | SWITCH ASSY., ENGINE STOP  | 1      | 1183070        |
| 011 | 90013-883-000   | BOLT, FLANGE, 6X12 (CT200) | 6      |                |

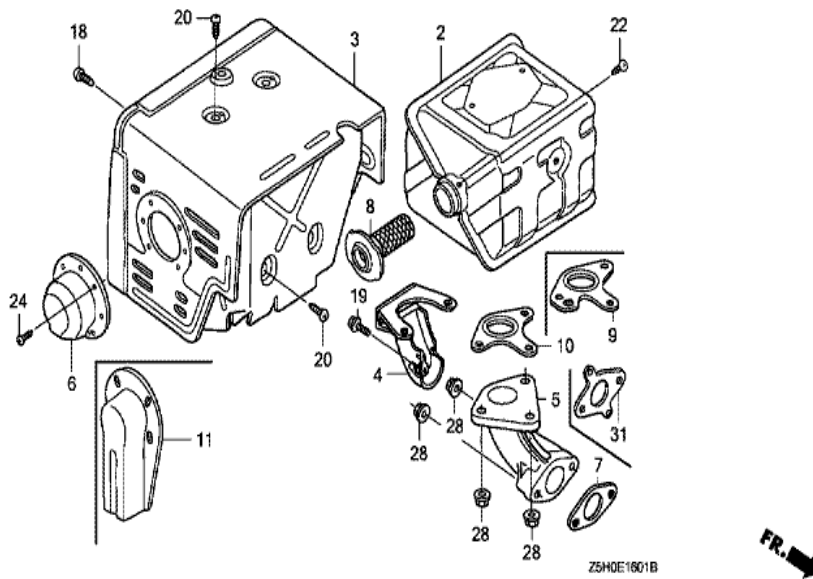


Z5H0E1400E

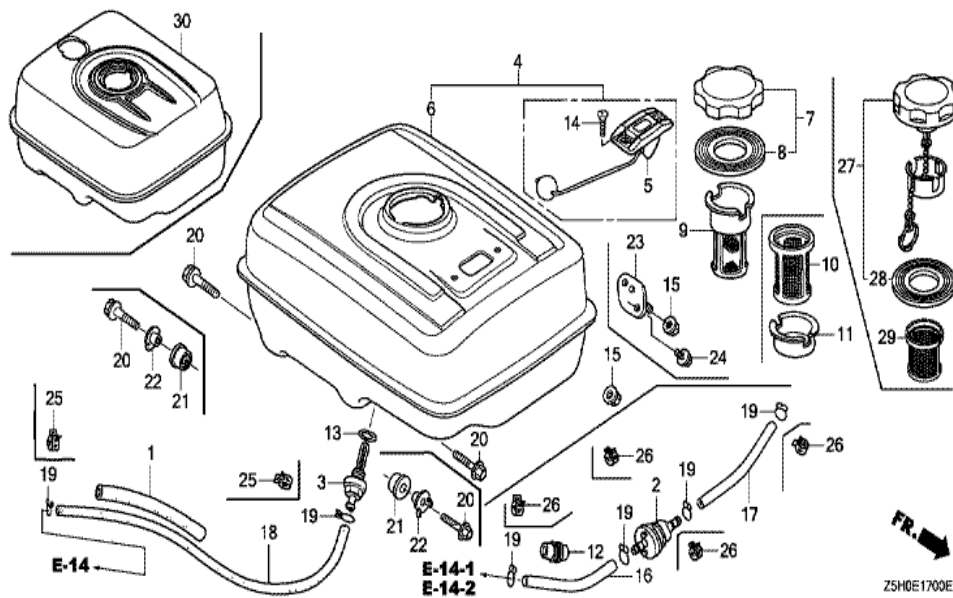
| Ref | Partnumber    | Description                  | GX270U | Serial Numbers |
|-----|---------------|------------------------------|--------|----------------|
| 001 | 16010-ZE2-812 | GASKET SET                   | 1      |                |
| 002 | 16011-ZA0-931 | VALVE SET, FLOAT             | 1      |                |
| 003 | 16013-ZA0-931 | FLOAT SET                    | 1      |                |
| 004 | 16015-ZE8-005 | CHAMBER SET, FLOAT           | 1      |                |
| 005 | 16016-ZH7-W01 | SCREW SET, PILOT             | 1      |                |
| 006 | 16024-ZE1-811 | SCREW SET, DRAIN             | 1      |                |
| 007 | 16028-ZE0-005 | SCREW SET                    | 1      |                |
| 008 | 16044-ZE2-005 | CHOKE SET                    | 1      |                |
| 009 | 16100-ZH9-W21 | CARBURETOR ASSY. (BE75B B/C) | 1      |                |
| 010 | 16124-ZE0-005 | SCREW, THROTTLE STOP         | 1      |                |
| 011 | 16166-ZH9-W20 | NOZZLE, MAIN                 | 1      |                |
| 012 | 16172-ZE3-W10 | COLLAR, SETTING              | 1      |                |
| 013 | 16173-001-004 | PACKING, FUEL STRAINER CUP   | 1      |                |
| Ref | Partnumber    | Description                  | GX270U | Serial Numbers |
| 014 | 16211-ZE2-000 | INSULATOR, CARBURETOR        | 1      |                |
| 016 | 16220-ZA0-702 | SPACER COMP., CARBURETOR     | 1      |                |
| 017 | 16221-ZA0-800 | PACKING, CARBURETOR          | 1      |                |
| 018 | 16223-ZA0-800 | PACKING, INSULATOR           | 1      |                |
| 019 | 16610-ZE1-000 | LEVER COMP., CHOKE (STD.)    | 1      |                |
| 020 | 16953-ZE1-812 | LEVER, COCK                  | 1      |                |
| 021 | 16954-ZE1-812 | PLATE, LEVER SETTING         | 1      |                |
| 022 | 16956-ZE1-811 | SPRING, COCK LEVER           | 1      |                |
| 023 | 16957-ZE1-812 | PACKING, FUEL COCK           | 1      |                |
| 024 | 16967-ZE0-811 | CUP, FUEL STRAINER           | 1      |                |
| 026 | 93500-030061H | SCREW, PAN, 3X6              | 2      |                |
| 027 | 94305-20122   | PIN, SPRING, 2X12            | 1      |                |
| 028 | 99101-ZH80800 | JET, MAIN, #80               | (1)    |                |
| 028 | 99101-ZH80820 | JET, MAIN, #82               | (1)    |                |
| 028 | 99101-ZH80850 | JET, MAIN, #85               | 1      |                |
| 029 | 99204-ZE20400 | JET SET, PILOT, #40          | 1      |                |



| Ref | Partnumber    | Description                 | GX270U | Serial Numbers |
|-----|---------------|-----------------------------|--------|----------------|
| 001 | 16271-ZE2-010 | PACKING, ELBOW              | 1      |                |
| 002 | 17210-ZE2-822 | ELEMENT, AIR CLEANER (DUAL) | 1      |                |
| 003 | 17218-ZE2-821 | FILTER, OUTER               | 1      |                |
| 004 | 17231-ZH9-820 | COVER, AIR CLEANER          | 1      |                |
| 005 | 17232-891-000 | GROMMET, AIR CLEANER        | 1      |                |
| 006 | 17235-ZE2-820 | NOSE, SILENCER              | 1      |                |
| 007 | 17238-ZE2-310 | COLLAR, AIR CLEANER         | 2      |                |
| 008 | 17239-ZE1-000 | COLLAR B, AIR CLEANER       | 1      |                |
| 009 | 17410-ZE2-020 | ELBOW COMP., AIR CLEANER    | 1      |                |
| 010 | 90009-ZE2-003 | BOLT-WASHER, 6X22           | 1      |                |
| 011 | 90325-044-000 | NUT, TOOL BOX SETTING       | 2      |                |
| 012 | 94050-06000   | NUT, FLANGE, 6MM            | 2      |                |



| Ref | Partnumber    | Description                              | GX270U | Serial Numbers |
|-----|---------------|--|--------|----------------|
| 002 | 18310-ZE2-W61 | MUFFLER COMP. (100DB)                    | 1      |                |
| 003 | 18320-ZE2-W61 | PROTECTOR COMP., MUFFLER                 | 1      |                |
| 005 | 18330-ZH9-N00 | PIPE, EX.                                | 1      |                |
| 008 | 18355-ZE2-010 | ARRESTER, SPARK                          | (1)    |                |
| 008 | 18355-ZE2-W00 | ARRESTER, SPARK                          | (1)    |                |
| 009 | 18381-ZE2-W10 | GASKET, MUFFLER (ARRESTER) (NIPPON LEAKL | (1)    |                |
| 010 | 18381-ZE2-800 | GASKET, MUFFLER (NIPPON LEAKLESS)        | 1      |                |
| 018 | 90006-ZE2-000 | SCREW, TAPPING, 6X10                     | 1      |                |
| 020 | 90050-ZE1-000 | SCREW, TAPPING, 5X8                      | 4      |                |
| 022 | 90055-ZE1-000 | SCREW, TAPPING, 4X6                      | (1)    |                |
| 028 | 94050-08000   | NUT, FLANGE, 8MM                         | 5      |                |
| 031 | 18333-ZF6-W01 | GASKET, EX. PIPE                         | 1      |                |



| Ref | Partnumber      | Description                              | GX270U | Serial Numbers  |
|-----|-----------------|--|--------|-----------------|
| 001 | 16854-ZH8-000   | RUBBER, SUPPORTER (107MM)                | 1      |                 |
| 003 | 16955-ZE1-000   | JOINT, FUEL TANK                         | 1      |                 |
| 006 | 17510-ZE2-020ZA | TANK COMP., FUEL *NH31 *                 | 1      | 1014642         |
| 006 | 17510-ZE2-800ZC | TANK COMP., FUEL *NH31 *                 | 1      | 1014643 1173563 |
| 006 | 17510-ZE2-801ZC | TANK COMP., FUEL *NH31 *                 | 1      | 1173564         |
| 007 | 17620-Z0T-305   | CAP COMP., FUEL FILLER (CHROME PLATED)   | 1      | 1204806         |
| 008 | 17631-Z0T-812   | PACKING, FUEL FILLER CAP (39X62X3) (TOUY | 1      | 1204806         |
| 013 | 91353-671-004   | O-RING, 14MM (NOK)                       | 1      |                 |
| 015 | 94050-08000     | NUT, FLANGE, 8MM                         | 2      |                 |
| 018 | 91424-Z5F-801   | TUBE, FUEL, 4.5X222 (FKM)                | 1      | 1042606 1221591 |
| 018 | 91424-Z5F-802   | TUBE, FUEL, 4.5X222 (FKM)                | 1      | 1221592         |
| 018 | 95001-4522240   | TUBE, FUEL, 4.5X222 (95001-45001-60M)    | 1      | 1042605         |
| 019 | 95002-02080     | CLIP, TUBE (B8)                          | 2      | 1042605         |
| Ref | Partnumber      | Description                              | GX270U | Serial Numbers  |
| 020 | 95701-0802500   | BOLT, FLANGE, 8X25                       | 2      |                 |
| 025 | 95002-4080008   | CLAMP, TUBE (D8)                         | 2      | 1042606         |
| 027 | 17620-Z4H-010   | CAP COMP., FUEL FILLER (CHROME PLATED)   | 1      | 1204807 1210488 |
| 027 | 17620-Z4H-020   | CAP COMP., FUEL FILLER                   | 1      | 1210489         |
| 028 | 17631-Z0T-801   | PACKING, FUEL FILLER CAP (39X62X3) (RADI | 1      | 1210489         |
| 028 | 17631-Z4H-800   | PACKING, FUEL FILLER CAP (39X62X3)       | 1      | 1204807 1210488 |



Z5H0-E1900

FR. →

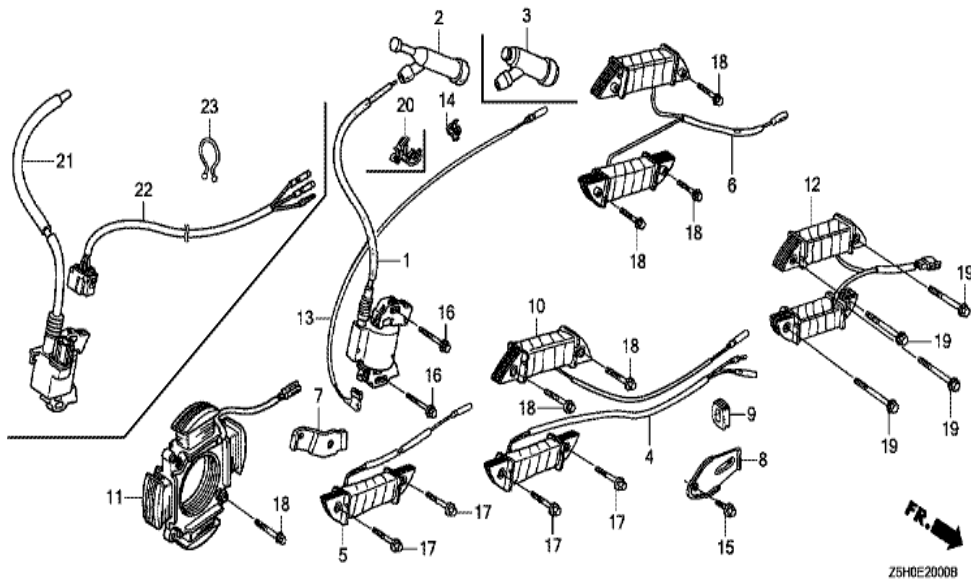
| Ref | Partnumber    | Description                         | GX270U | Serial Numbers |
|-----|---------------|-------------------------------------|--------|----------------|
| 001 | 19511-ZE2-000 | FAN, COOLING                        | 1      |                |
| 003 | 28450-ZE2-W11 | PULLEY COMP., STARTER (SCREEN GRID) | 1      |                |
| 006 | 31100-ZE2-010 | FLYWHEEL COMP.                      | 1      |                |
| 010 | 90201-ZE3-790 | NUT, SPECIAL, 16MM                  | 1      | 1146554        |
| 010 | 90201-ZE3-V00 | NUT, SPECIAL, 16MM                  | 1      | 1146553        |
| 011 | 90741-ZE2-000 | KEY, SPECIAL WOODRUFF, 25X18        | 1      |                |



Z5H0E0200B

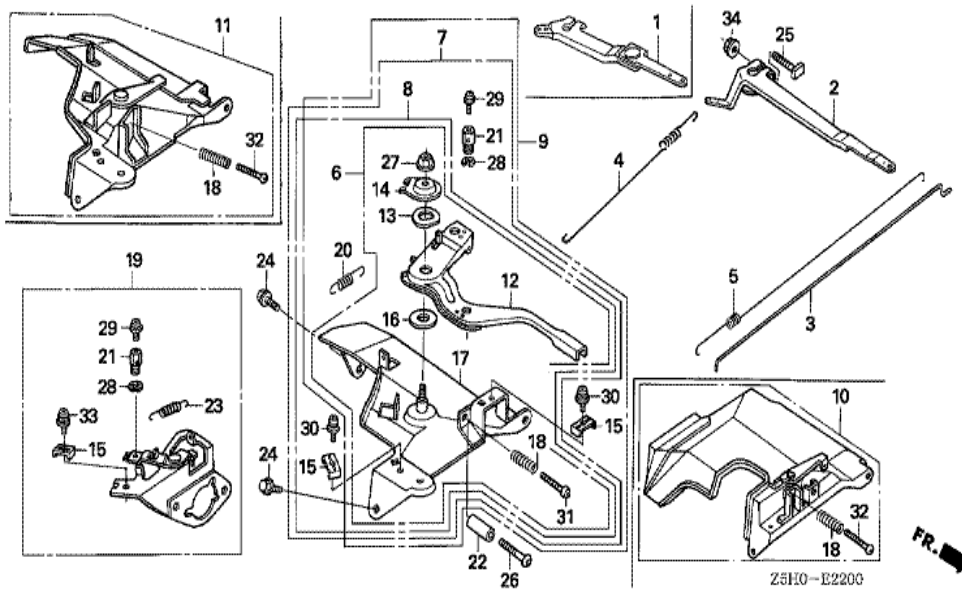
| Ref | Partnumber    | Description                    | GX270U | Serial Numbers |
|-----|---------------|--------------------------------|--------|----------------|
| 001 | 12200-ZH9-405 | HEAD COMP., CYLINDER           | 1      |                |
| 002 | 12204-ZE2-306 | GUIDE, IN. VALVE (O.S.)        | 1      |                |
| 003 | 12205-ZE2-305 | GUIDE, EX. VALVE (OS)          | 1      |                |
| 004 | 12216-ZE2-300 | CLIP, VALVE GUIDE              | 1      |                |
| 005 | 12251-ZH9-000 | GASKET, CYLINDER HEAD          | 1      |                |
| 006 | 12310-ZE2-020 | COVER COMP., HEAD              | 1      |                |
| 007 | 95005-1110030 | TUBE, 11X100 (95005-11001-30M) | 1      |                |
| 008 | 12391-ZE2-020 | PACKING, HEAD COVER            | 1      |                |
| 010 | 90014-ZE2-000 | BOLT, HEAD COVER               | 1      |                |
| 011 | 92900-080320E | BOLT, STUD, 8X32               | 2      |                |
| 012 | 90042-ZE2-000 | BOLT, STUD, 8X123              | 2      |                |
| 013 | 90441-ZE2-010 | WASHER COMP., HEAD COVER       | 1      |                |
| 014 | 94301-12200   | DOWEL PIN, 12X20               | 2      |                |
| Ref | Partnumber    | Description                    | GX270U | Serial Numbers |
| 015 | 95701-1008000 | BOLT, FLANGE, 10X80            | 4      | 1179419        |
| 015 | 95725-1008000 | BOLT, FLANGE, 10X80            | 4      | 1179418        |
| 016 | 98079-55846   | PLUG, SPARK (BPR5ES) (NGK)     | (1)    |                |
| 016 | 98079-55855   | PLUG, SPARK (W16EPR-U) (DENSO) | (1)    |                |
| 016 | 98079-56846   | PLUG, SPARK (BPR6ES) (NGK)     | 1      |                |
| 016 | 98079-56855   | PLUG, SPARK (W20EPR-U) (DENSO) | 1      |                |



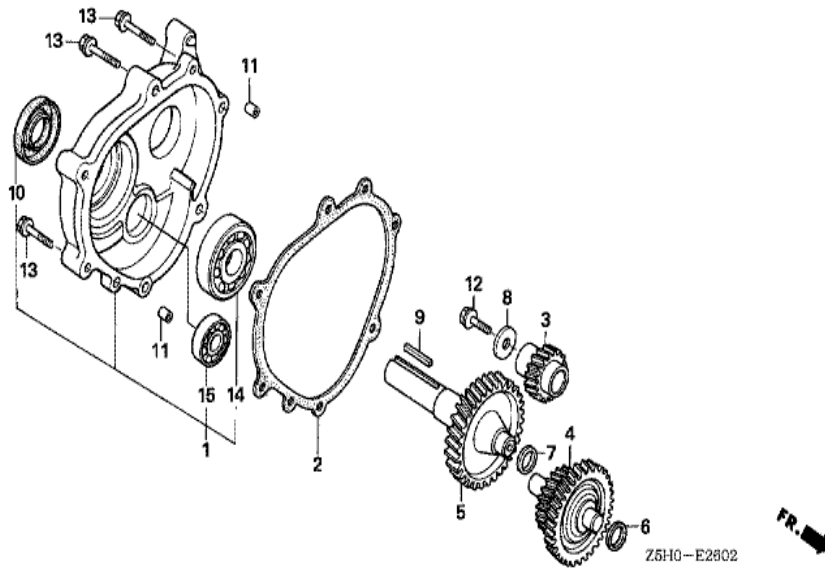


Z5H0E2000B

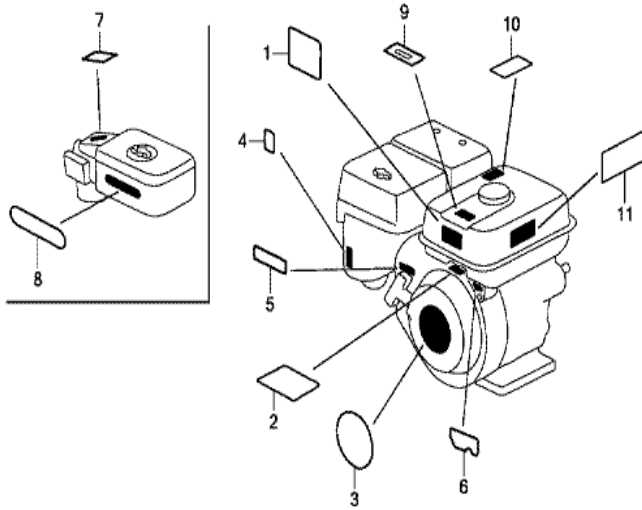
| Ref | Partnumber    | Description                               | GX270U | Serial Numbers |
|-----|---------------|---|--------|----------------|
| 001 | 30500-ZF6-W02 | COIL ASSY., IGNITION                      | 1      | 1177027        |
| 001 | 30500-ZF6-W03 | COIL ASSY., IGNITION                      | 1      | 1177028        |
| 002 | 30700-ZE1-013 | CAP ASSY., NOISE SUPPRESSOR (NICHIIWA Y-E | 1      |                |
| 009 | 31512-ZE2-000 | GROMMET, CORD                             | 1      |                |
| 013 | 36101-ZE1-010 | CORD, STOP SWITCH (370MM)                 | 1      |                |
| 016 | 90015-883-000 | BOLT, FLANGE, 6X28 (CT200)                | 2      |                |
| 020 | 90684-ZA0-601 | CLIP, HARNESS                             | 1      |                |



| Ref | Partnumber    | Description                              | GX270U | Serial Numbers |
|-----|---------------|--|--------|----------------|
| 002 | 16551-ZE2-000 | ARM, GOVERNOR                            | 1      |                |
| 003 | 16555-ZE2-000 | ROD, GOVERNOR                            | 1      |                |
| 004 | 16561-ZE2-000 | SPRING, GOVERNOR (L=145.0MM) (WIRE DIAME | 1      |                |
| 005 | 16562-ZE2-000 | SPRING, THROTTLE RETURN                  | 1      |                |
| 006 | 16570-ZE2-W00 | CONTROL ASSY.                            | 1      |                |
| 012 | 16571-ZE2-W00 | LEVER, CONTROL                           | 1      |                |
| 013 | 16574-ZE1-000 | SPRING, LEVER                            | 1      |                |
| 014 | 16575-ZE2-W00 | WASHER, CONTROL LEVER                    | 1      |                |
| 016 | 16578-ZE1-000 | SPACER, CONTROL LEVER                    | 1      |                |
| 017 | 16581-ZE2-W00 | BASE COMP., CONTROL (###)                | 1      |                |
| 018 | 16584-883-300 | SPRING, CONTROL ADJUSTING                | 1      |                |
| 024 | 90013-883-000 | BOLT, FLANGE, 6X12 (CT200)               | 2      |                |
| 025 | 90015-ZE5-010 | BOLT, GOVERNOR ARM                       | 1      |                |
| Ref | Partnumber    | Description                              | GX270U | Serial Numbers |
| 027 | 90114-SA0-000 | NUT, SELF-LOCK, 6MM                      | 1      |                |
| 031 | 93500-050280A | SCREW, PAN, 5X28                         | 1      |                |
| 034 | 94050-06000   | NUT, FLANGE, 6MM                         | 1      |                |

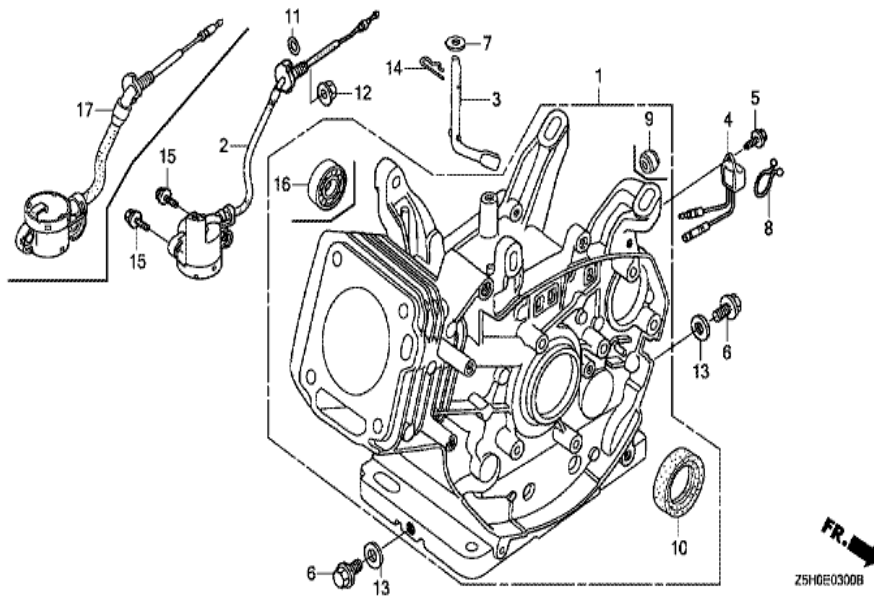


| <u>Ref</u> | <u>Partnumber</u> | <u>Description</u>           | <u>GX270U</u> | <u>Serial Numbers</u> |
|------------|-------------------|------------------------------|---------------|-----------------------|
| 001        | 11500-ZE2-620     | COVER ASSY., REDUCTION CASE  | 1             |                       |
| 002        | 11521-ZE2-800     | PACKING, CHAIN CASE COVER    | 1             |                       |
| 003        | 22103-ZE2-620     | GEAR, PRIMARY DRIVE (17T)    | 1             |                       |
| 004        | 23220-ZE2-621     | COUNTERSHAFT COMP. (18T/40T) | 1             |                       |
| 005        | 23710-ZE2-621     | SHAFT, P.T.O. (46T)          | 1             |                       |
| 006        | 90401-ZE2-620     | SHIM A                       | N             |                       |
| 007        | 90402-ZE2-620     | SHIM B                       | N             |                       |
| 008        | 90473-842-000     | WASHER, 8MM                  | 1             |                       |
| 009        | 90745-ZE2-600     | KEY, 6.3X6.3X43              | 1             |                       |
| 010        | 91201-890-003     | OIL SEAL, 30X46X8            | 1             |                       |
| 011        | 94301-08140       | DOWEL PIN, 8X14              | 2             |                       |
| 012        | 95701-0802500     | BOLT, FLANGE, 8X25           | 1             |                       |
| 013        | 95701-0804000     | BOLT, FLANGE, 8X40           | 6             |                       |
| <u>Ref</u> | <u>Partnumber</u> | <u>Description</u>           | <u>GX270U</u> | <u>Serial Numbers</u> |
| 014        | 96100-6206000     | BEARING, RADIAL BALL, 6206   | 1             |                       |
| 015        | 96100-6302000     | BEARING, RADIAL BALL, 6302   | 1             |                       |

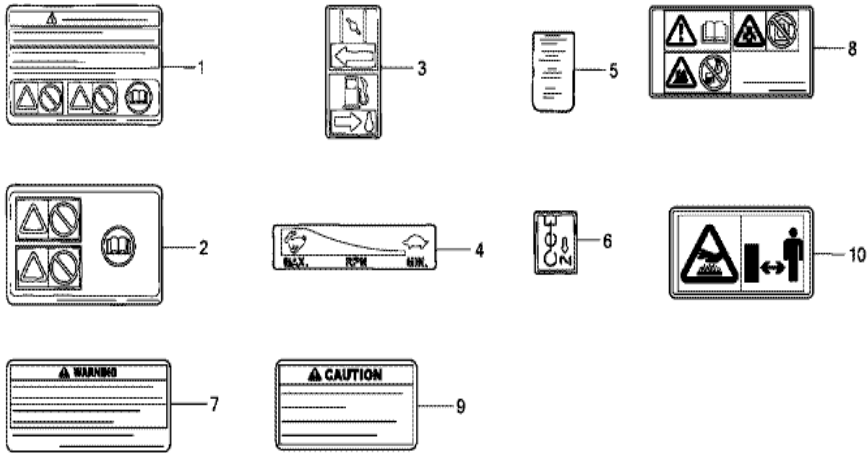


Z5H0E2800B

| Ref | Partnumber    | Description                              | GX270U | Serial Numbers |
|-----|---------------|--|--------|----------------|
| 001 | 87516-ZH7-000 | MARK, OPERATOR CAUTION (ENGLISH) (MADE I | 1      | 1232633        |
| 001 | 87516-ZH7-010 | MARK, OPERATOR CAUTION (ENGLISH) (MADE I | 1      | 1232634        |
| 001 | 87516-ZH7-810 | MARK, OPERATOR CAUTION (PICTOGRAPH) (MAD | (1)    |                |
| 003 | 87521-ZH9-030 | EMBLEM (GX270 9.0)                       | 1      | 1177027        |
| 003 | 87521-ZH9-040 | EMBLEM (GX270)                           | 1      | 1177028        |
| 004 | 87528-ZH7-000 | MARK, CHOKE (GRAY)                       | 1      |                |
| 005 | 87532-ZH7-000 | MARK, THROTTLE INDICATION                | 1      |                |
| 010 | 87539-ZOJ-000 | MARK, EX. CAUTION (ENGLISH)              | 1      | 1232634        |

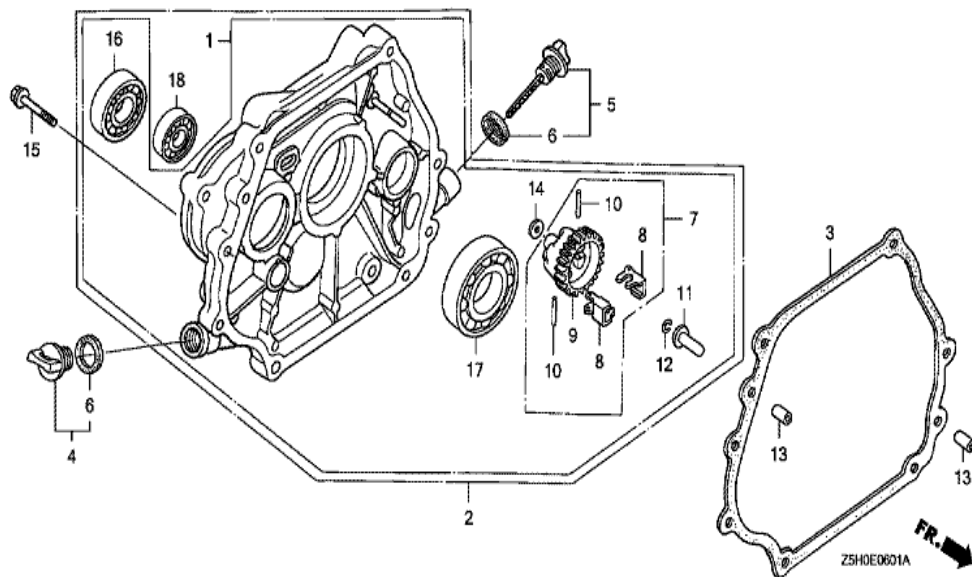
FR. →  
Z5H0E0300B

| Ref | Partnumber    | Description                    | GX270U | Serial Numbers  |
|-----|---------------|--------------------------------|--------|-----------------|
| 001 | 12000-ZH9-406 | BARREL ASSY., CYLINDER (ALERT) | 1      |                 |
| 002 | 15510-ZE2-043 | SWITCH ASSY., OIL LEVEL        | 1      | 1182907         |
| 002 | 15510-ZE2-053 | SWITCH ASSY., OIL LEVEL        | 1      | 1182908 1231591 |
| 002 | 35480-ZF6-003 | SWITCH ASSY., OIL LEVEL        | 1      | 1231592         |
| 003 | 16541-ZE2-010 | SHAFT, GOVERNOR ARM            | 1      |                 |
| 004 | 34150-ZH7-003 | ALERT UNIT, OIL                | 1      | 1185318         |
| 004 | 34150-ZH7-013 | ALERT UNIT, OIL                | 1      | 1185319         |
| 005 | 90013-883-000 | BOLT, FLANGE, 6X12 (CT200)     | 1      |                 |
| 006 | 90131-883-000 | BOLT, DRAIN PLUG, 12X15        | 2      |                 |
| 007 | 90446-KE1-000 | WASHER, 8.2X17X0.8             | 1      |                 |
| 010 | 91201-890-003 | OIL SEAL, 30X46X8              | 1      |                 |
| 011 | 91353-671-004 | O-RING, 14MM (NOK)             | 1      |                 |
| 012 | 94050-10000   | NUT, FLANGE, 10MM              | 1      |                 |
| Ref | Partnumber    | Description                    | GX270U | Serial Numbers  |
| 013 | 94109-12000   | WASHER, DRAIN PLUG, 12MM       | 2      |                 |
| 014 | 94251-10000   | PIN, LOCK, 10MM                | 1      |                 |
| 015 | 95701-0601200 | BOLT, FLANGE, 6X12             | 2      |                 |

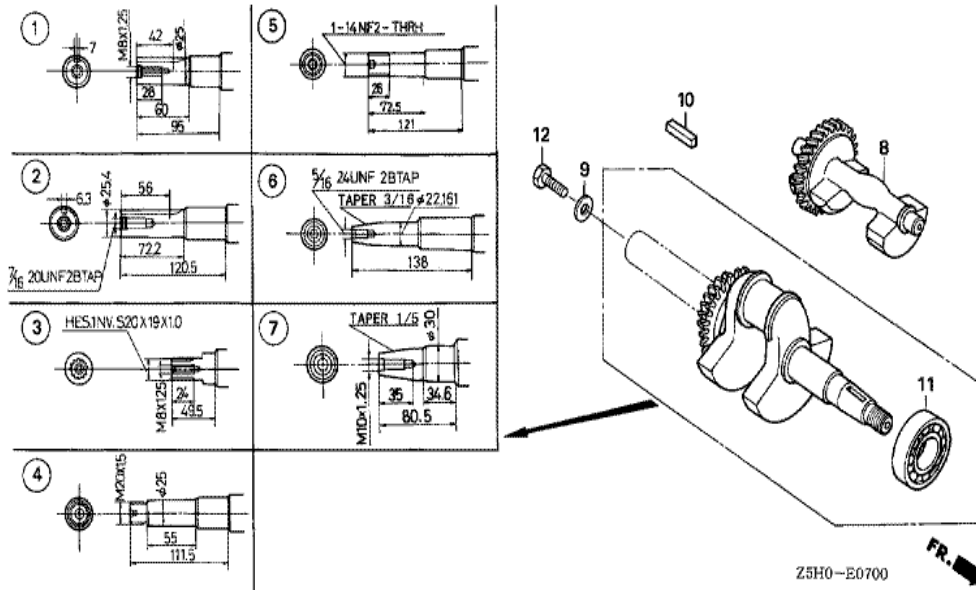


Z5H0E4001C

| Ref | Partnumber    | Description                              | GX270U | Serial Numbers |
|-----|---------------|--|--------|----------------|
| 001 | 87516-ZH7-800 | MARK, OPERATOR CAUTION (FRENCH) (MADE IN | 1      | 1232633        |
| 007 | 87516-ZH7-801 | MARK, OPERATOR CAUTION (FRENCH) (MADE IN | 1      | 1232634        |
| 008 | 87519-ZH7-000 | MARK, OPERATOR CAUTION (PICTOGRAPH)      | 1      | 1232634        |
| 009 | 87539-ZOJ-810 | MARK, EX. CAUTION (FRENCH)               | 1      | 1232634        |
| 010 | 87539-ZOJ-800 | MARK, EX. CAUTION (PICTOGRAPH)           | 1      | 1232634        |

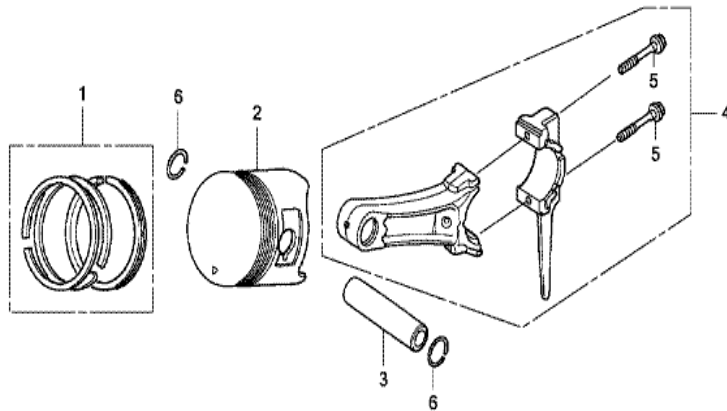


| Ref | Partnumber    | Description                | GX270U | Serial Numbers |
|-----|---------------|----------------------------|--------|----------------|
| 002 | 11300-ZE2-622 | COVER ASSY., CRANKCASE     | 1      |                |
| 003 | 11381-ZE2-801 | PACKING, CASE COVER        | 1      |                |
| 004 | 15600-ZG4-003 | CAP ASSY., OIL FILLER      | 1      |                |
| 005 | 15600-735-003 | CAP ASSY., OIL FILLER      | 1      |                |
| 006 | 15625-ZE1-003 | PACKING, OIL FILLER CAP    | 2      |                |
| 007 | 16510-ZE2-000 | GOVERNOR ASSY.             | 1      |                |
| 008 | 16511-ZE2-000 | WEIGHT, GOVERNOR           | 2      |                |
| 009 | 16512-ZE2-000 | HOLDER, GOVERNOR WEIGHT    | 1      |                |
| 010 | 16513-ZE2-000 | PIN, GOVERNOR WEIGHT       | 2      |                |
| 011 | 16531-Z0A-000 | SLIDER, GOVERNOR           | 1      |                |
| 012 | 90602-ZE1-000 | CLIP, GOVERNOR HOLDER      | 1      |                |
| 013 | 90701-HC4-000 | DOWEL PIN, 8X12            | 2      |                |
| 014 | 94101-06800   | WASHER, PLAIN, 6MM         | 1      |                |
| Ref | Partnumber    | Description                | GX270U | Serial Numbers |
| 015 | 95701-0803500 | BOLT, FLANGE, 8X35         | 7      |                |
| 016 | 96100-6204000 | BEARING, RADIAL BALL, 6204 | 1      |                |
| 017 | 96100-6206000 | BEARING, RADIAL BALL, 6206 | 1      |                |
| 018 | 96100-6302000 | BEARING, RADIAL BALL, 6302 | 1      |                |



| Ref | Partnumber    | Description                    | GX270U | Serial Numbers |
|-----|---------------|--------------------------------|--------|----------------|
| 003 | 13310-ZH9-611 | CRANKSHAFT COMP.               | 1      |                |
| 011 | 91001-ZH9-003 | BEARING, RADIAL BALL (6206 SH) | 1      |                |

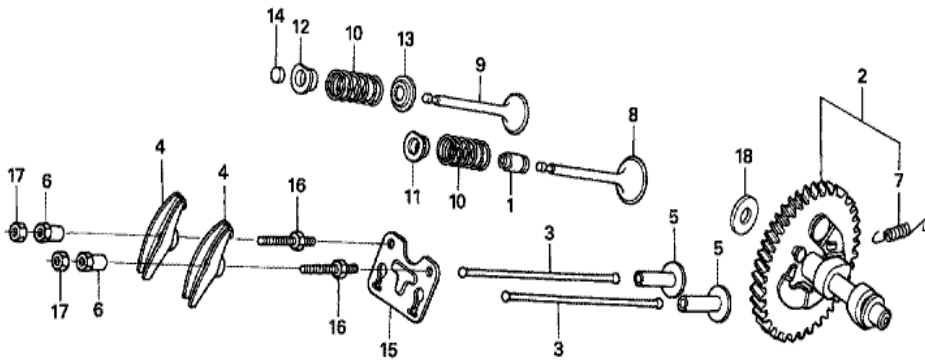




ZGH0E080CA



| Ref | Partnumber    | Description                             | GX270U | Serial Numbers |
|-----|---------------|---|--------|----------------|
| 001 | 13010-Z5H-004 | RING SET, PISTON (STD.) (TPR)           | 1      | 1200784        |
| 001 | 13010-ZE8-601 | RING SET, PISTON (STD.) (NIPPON)        | 1      | 1200783        |
| 001 | 13010-ZE8-602 | RING SET, PISTON (STD.) (TEIKOKU)       | 1      | 1200783        |
| 001 | 13011-Z5H-004 | RING SET, PISTON (0.25) (TPR)           | (1)    | 1200784        |
| 001 | 13011-ZE8-601 | RING SET, PISTON (0.25) (NIPPON)        | (1)    | 1200783        |
| 001 | 13011-ZE8-602 | RING SET, PISTON (0.25) (TEIKOKU)       | (1)    | 1200783        |
| 001 | 13012-Z5H-004 | RING SET, PISTON (0.50) (TPR)           | (1)    | 1200784        |
| 001 | 13012-ZE8-601 | RING SET, PISTON (0.50) (NIPPON)        | (1)    | 1200783        |
| 001 | 13012-ZE8-602 | RING SET, PISTON (0.50) (TEIKOKU)       | (1)    | 1200783        |
| 001 | 13013-Z5H-004 | RING SET, PISTON (0.75) (TPR)           | (1)    | 1200784        |
| 001 | 13013-ZE8-601 | RING SET, PISTON (0.75) (NIPPON)        | (1)    | 1200783        |
| 001 | 13013-ZE8-602 | RING SET, PISTON (0.75) (TEIKOKU)       | (1)    | 1200783        |
| 002 | 13101-ZH9-000 | PISTON (STD.)                           | 1      | 1200783        |
| Ref | Partnumber    | Description                             | GX270U | Serial Numbers |
| 002 | 13101-ZH9-010 | PISTON (STD.)                           | 1      | 1200784        |
| 002 | 13102-ZH9-000 | PISTON (0.25)                           | (1)    | 1200783        |
| 002 | 13102-ZH9-010 | PISTON (0.25)                           | (1)    | 1200784        |
| 002 | 13103-ZH9-000 | PISTON (0.50)                           | (1)    | 1200783        |
| 002 | 13103-ZH9-010 | PISTON (0.50)                           | (1)    | 1200784        |
| 002 | 13104-ZH9-000 | PISTON (0.75)                           | (1)    | 1200783        |
| 002 | 13104-ZH9-010 | PISTON (0.75)                           | (1)    | 1200784        |
| 003 | 13111-ZE2-000 | PIN, PISTON                             | 1      |                |
| 004 | 13200-ZE2-010 | ROD ASSY., CONNECTING (STD.)            | 1      |                |
| 004 | 13200-ZE2-305 | ROD ASSY., CONNECTING (0.25 UNDER SIZE) | (1)    |                |
| 005 | 90001-ZE8-000 | BOLT, CONNECTING ROD                    | 2      |                |
| 006 | 90551-ZE1-000 | CLIP, PISTON PIN, 18MM                  | 2      |                |



Z5H0-E0900A



| <u>Ref</u> | <u>Partnumber</u> | <u>Description</u>         | <u>GX270U</u> | <u>Serial Numbers</u> |
|------------|-------------------|----------------------------|---------------|-----------------------|
| 001        | 12209-ZE8-003     | SEAL, VALVE STEM           | 1             |                       |
| 002        | 14100-ZE3-020     | CAMSHAFT ASSY.             | 1             |                       |
| 003        | 14410-ZE2-013     | ROD, PUSH                  | 2             |                       |
| 004        | 14431-ZE2-010     | ARM, VALVE ROCKER          | 2             |                       |
| 005        | 14441-ZE2-000     | LIFTER, VALVE              | 2             |                       |
| 006        | 14451-ZE1-013     | PIVOT, ROCKER ARM          | 2             |                       |
| 007        | 14568-ZE1-000     | SPRING, WEIGHT RETURN      | 1             |                       |
| 008        | 14711-ZE2-000     | VALVE, IN.                 | 1             |                       |
| 009        | 14721-ZE2-000     | VALVE, EX.                 | 1             |                       |
| 010        | 14751-ZE2-003     | SPRING, VALVE              | 2             |                       |
| 011        | 14771-ZE2-000     | RETAINER, IN. VALVE SPRING | 1             |                       |
| 012        | 14773-ZE2-000     | RETAINER, EX. VALVE SPRING | 1             |                       |
| 013        | 14775-ZE2-010     | SEAT, VALVE SPRING         | 1             |                       |
| <u>Ref</u> | <u>Partnumber</u> | <u>Description</u>         | <u>GX270U</u> | <u>Serial Numbers</u> |
| 014        | 14781-ZE2-000     | ROTATOR, VALVE             | 1             |                       |
| 015        | 14791-ZE2-010     | GUIDE, PUSH ROD            | 1             |                       |
| 016        | 90012-ZE0-010     | BOLT, PIVOT, 8MM           | 2             |                       |
| 017        | 90206-ZE1-000     | NUT, PIVOT ADJUSTING       | 2             |                       |