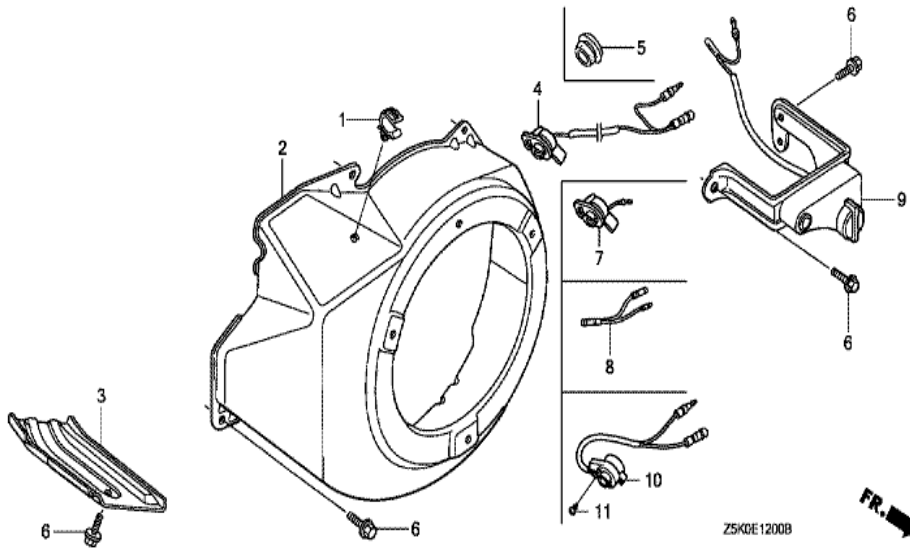
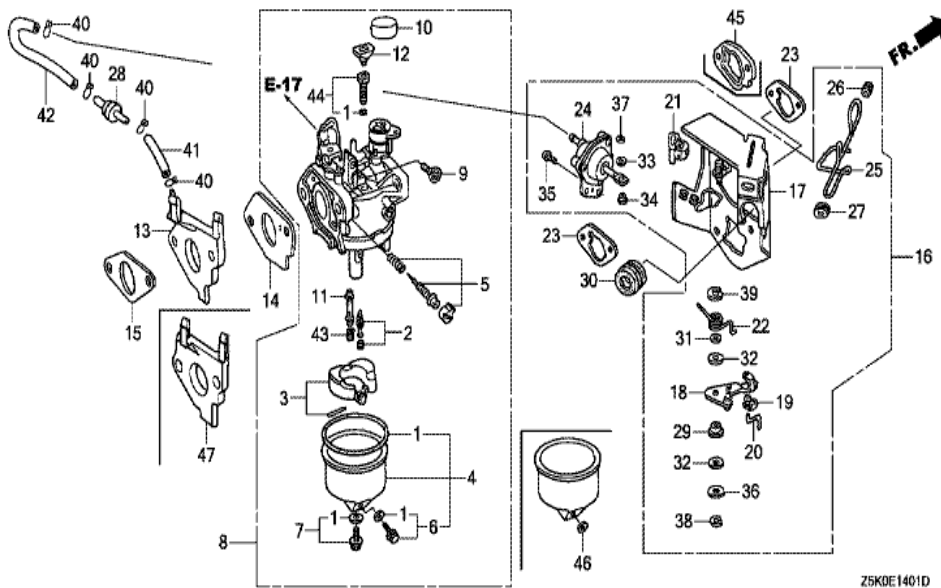


FR. →
ZSKDE1100A

| <u>Ref</u> | <u>Partnumber</u> | <u>Description</u> | <u>GX270RT</u> | <u>Serial Numbers</u> |
|------------|-------------------|------------------------------------|----------------|-----------------------|
| 001 | 28400-ZE2-W01ZN | STARTER ASSY., RECOIL *R280 * | 1 | 1330728 |
| 001 | 28400-ZE2-W02ZN | STARTER ASSY., RECOIL *R280* | 1 | 1330729 |
| 002 | 28410-ZE2-W01ZN | CASE COMP., RECOIL STARTER *R280 * | 1 | |
| 003 | 28421-ZE2-W01 | PULLEY, RECOIL STARTER | 1 | |
| 004 | 28422-ZE2-W01 | RATCHET, STARTER | 2 | |
| 005 | 28441-ZE2-W01 | SPRING, FRICTION | 1 | |
| 006 | 28442-ZE2-W01 | SPRING, STARTER RETURN | 1 | |
| 007 | 28443-ZE2-W01 | SPRING, RATCHET | 2 | |
| 008 | 28444-ZE2-W01 | RETAINER, SPRING | 1 | |
| 009 | 28461-ZE2-W02 | GRIP, STARTER | 1 | 1256389 |
| 009 | 28461-ZE2-W03 | GRIP, STARTER | 1 | 1256390 |
| 010 | 28462-ZE2-W11 | ROPE, RECOIL STARTER | 1 | |
| 011 | 90004-ZE2-W01 | SCREW, CENTER | 1 | |
| <u>Ref</u> | <u>Partnumber</u> | <u>Description</u> | <u>GX270RT</u> | <u>Serial Numbers</u> |
| 012 | 90008-ZE2-003 | BOLT, FLANGE, 6X10 | 3 | |



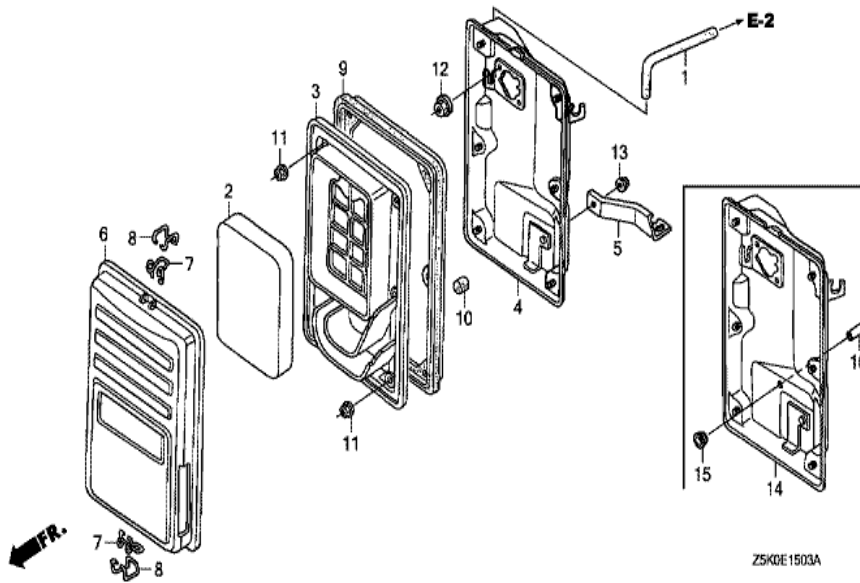
| Ref | Partnumber | Description | GX270RT | Serial Numbers |
|-----|-----------------|----------------------------|---------|----------------|
| 001 | 16731-ZE2-003 | CLIP, TUBE | 1 | |
| 002 | 19610-ZE2-010ZL | COVER COMP., FAN *R280 * | 1 | |
| 003 | 19631-ZE2-D00 | SHROUD | 1 | |
| 005 | 81329-567-020 | GROMMET, DRAIN HOLE | 1 | |
| 006 | 90013-883-000 | BOLT, FLANGE, 6X12 (CT200) | 6 | |



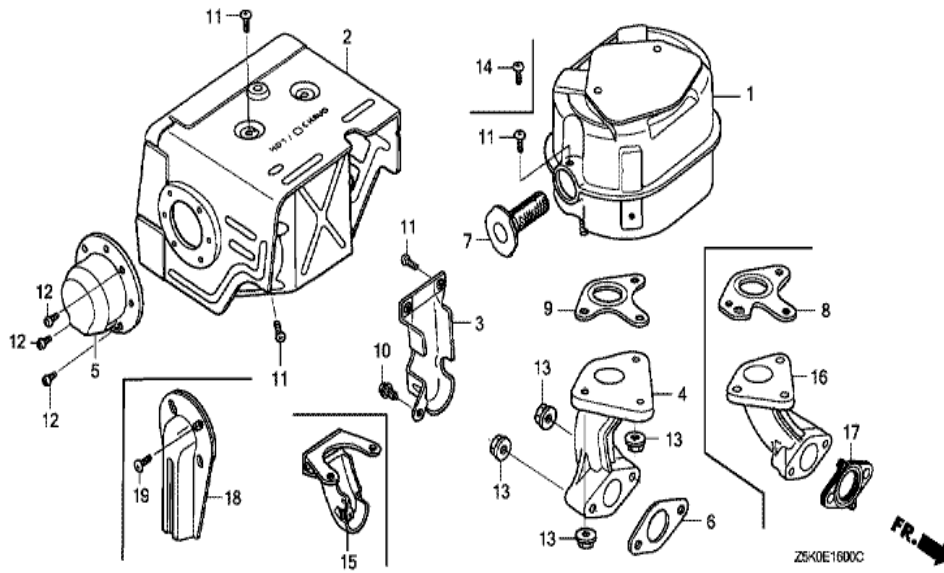
Z5K0E1401D

| Ref | Partnumber | Description | GX270RT | Serial Numbers |
|-----|---------------|----------------------------|---------|----------------|
| 001 | 16010-ZF5-900 | GASKET SET | 1 | |
| 002 | 16011-ZA0-931 | VALVE SET, FLOAT | 1 | |
| 003 | 16013-Z1C-003 | FLOAT SET | 1 | |
| 004 | 16015-ZE8-005 | CHAMBER SET, FLOAT | 1 | |
| 005 | 16016-ZH8-W01 | SCREW SET | 1 | |
| 006 | 16024-ZE1-811 | SCREW SET, DRAIN | 1 | |
| 007 | 16028-ZE0-005 | SCREW SET | 1 | |
| 008 | 16100-Z5K-V01 | CARBURETOR ASSY. (BE77V A) | 1 | |
| 009 | 16124-ZE0-005 | SCREW, THROTTLE STOP | 1 | |
| 010 | 16148-141-881 | CAP, CHOKE DUST | 1 | |
| 011 | 16166-ZH9-820 | NOZZLE, MAIN | 1 | |
| 012 | 16172-ZE3-W10 | COLLAR, SETTING | 1 | |
| 013 | 16211-ZE2-700 | INSULATOR, CARBURETOR | 1 | |

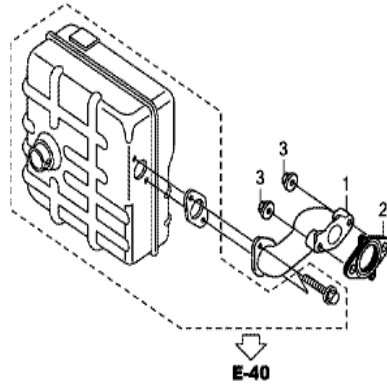
| <u>Ref</u> | <u>Partnumber</u> | <u>Description</u> | <u>GX270RT</u> | <u>Serial Numbers</u> |
|------------|-------------------|--------------------------------|----------------|-----------------------|
| 014 | 16221-ZA0-800 | PACKING, CARBURETOR | 1 | |
| 015 | 16223-ZA0-800 | PACKING, INSULATOR | 1 | |
| 016 | 16260-ZE3-D22 | STAY ASSY., MANUAL CHOKE | 1 | |
| 017 | 16261-ZE2-702 | STAY COMP., SOLENOID | 1 | |
| 018 | 16262-ZE2-711 | LEVER, CHOKE | 1 | |
| 019 | 16263-ZA0-000 | JOINT, ROD | 1 | |
| 020 | 16264-ZE2-701 | ROD, CHOKE | 1 | |
| 021 | 16265-ZE2-721 | STOPPER, CHOKE ROD | 1 | |
| 022 | 16268-ZE2-721 | SPRING, MANUAL CHOKE | 1 | |
| 023 | 16269-ZA0-800 | PACKING, AIR CLEANER | 2 | |
| 024 | 16400-ZE2-704 | DIAPHRAGM ASSY. | 1 | |
| 025 | 16611-ZE3-D21 | ROD, CHOKE CONTROL | 1 | |
| 026 | 16613-893-000 | GROMMET, CHOKE ROD | 1 | |
| 027 | 16615-893-000 | GUIDE, CHOKE ROD | 1 | |
| 028 | 36135-ZF6-D41 | VALVE, DASHPOT CHECK | 1 | |
| 029 | 53149-964-003 | BUSH, ARM PIVOT | 1 | |
| 030 | 88911-MJ3-000 | GROMMET, FENDER | 1 | |
| 031 | 90431-ZE2-700 | WASHER, CHOKE LEVER | 1 | |
| 032 | 90432-ZE2-700 | SEAL, CHOKE LEVER | 2 | |
| 033 | 90433-ZE2-700 | WASHER, THRUST, 2.7X8 | 1 | |
| 034 | 90434-ZE2-700 | COLLAR, LEVER | 1 | |
| 035 | 93500-050120A | SCREW, PAN, 5X12 | 2 | |
| 036 | 94103-05000 | WASHER, PLAIN, 5MM | 1 | |
| 037 | 94540-02010 | E-RING, 2MM | 1 | |
| 038 | 94540-04010 | E-RING, 4MM | 1 | |
| 039 | 94540-07010 | E-RING, 7MM | 1 | |
| 040 | 95002-02070 | CLIP, TUBE (B7) | 4 | |
| 041 | 95005-3505510 | TUBE, 3.5X55 (95005-35001-10M) | 1 | |
| 042 | 95005-3507510 | TUBE, 3.5X75 (95005-35001-10M) | 1 | |
| 043 | 99101-ZH80880 | JET, MAIN, #88 | (1) | |
| 043 | 99101-ZH80900 | JET, MAIN, #90 | (1) | |
| 043 | 99101-ZH80920 | JET, MAIN, #92 | 1 | |
| 044 | 99204-ZE20400 | JET SET, PILOT, #40 | 1 | |



| <u>Ref</u> | <u>Partnumber</u> | <u>Description</u> | <u>GX270RT</u> | <u>Serial Numbers</u> |
|------------|-------------------|--------------------------|----------------|-----------------------|
| 001 | 15721-ZB4-000 | TUBE, BREATHER | 1 | |
| 002 | 17211-899-000 | ELEMENT, AIR CLEANER | 1 | |
| 003 | 17212-Z5R-000 | SEPARATOR, AIR CLEANER | 1 | |
| 005 | 17222-ZB4-000 | STAY, AIR CLEANER | 1 | |
| 006 | 17231-899-000 | COVER COMP., AIR CLEANER | 1 | |
| 007 | 17235-899-000 | CLIP A, AIR CLEANER WIRE | 2 | |
| 008 | 17236-899-000 | CLIP B, AIR CLEANER WIRE | 2 | |
| 009 | 17252-899-000 | SEAL, AIR CLEANER | 1 | |
| 010 | 17367-413-690 | FILTER, DRAIN TUBE | 1 | |
| 011 | 94050-05000 | NUT, FLANGE, 5MM | 6 | |
| 012 | 94050-06000 | NUT, FLANGE, 6MM | 2 | |
| 013 | 94050-06080 | NUT, FLANGE, 6MM | 1 | |
| 014 | 17220-Z5R-000 | CASE COMP., AIR CLEANER | 1 | |
| <u>Ref</u> | <u>Partnumber</u> | <u>Description</u> | <u>GX270RT</u> | <u>Serial Numbers</u> |
| 015 | 17232-898-000 | GROMMET, AIR CLEANER | 1 | |
| 016 | 90634-ZL8-H00 | CAP, SEALING | 1 | |



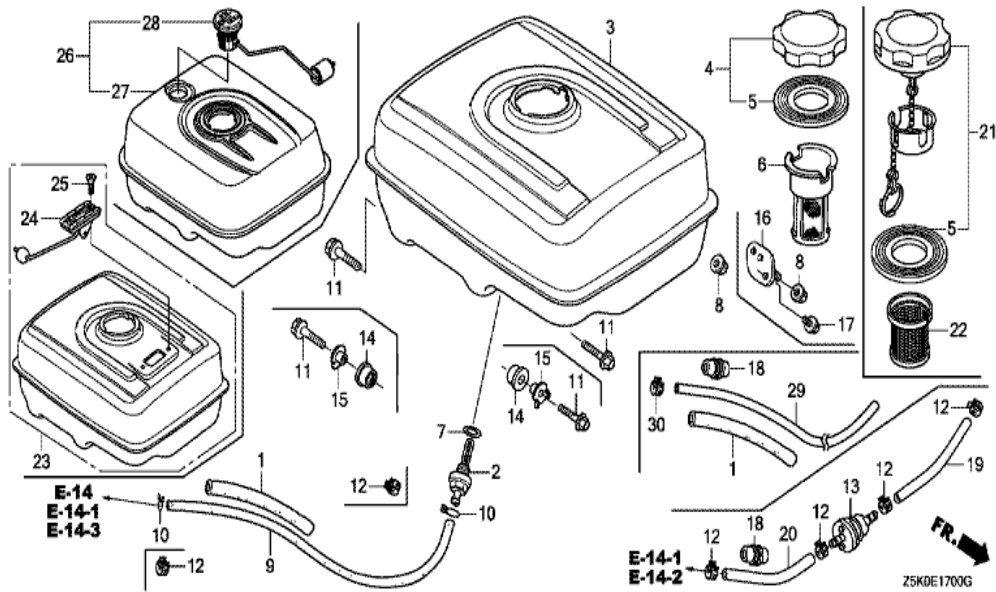
| Ref | Partnumber | Description | GX270RT | Serial Numbers |
|-----|---------------|--|---------|----------------|
| 008 | 18381-ZE2-W10 | GASKET, MUFFLER (ARRESTER) (NIPPON LEAK) | (1) | |



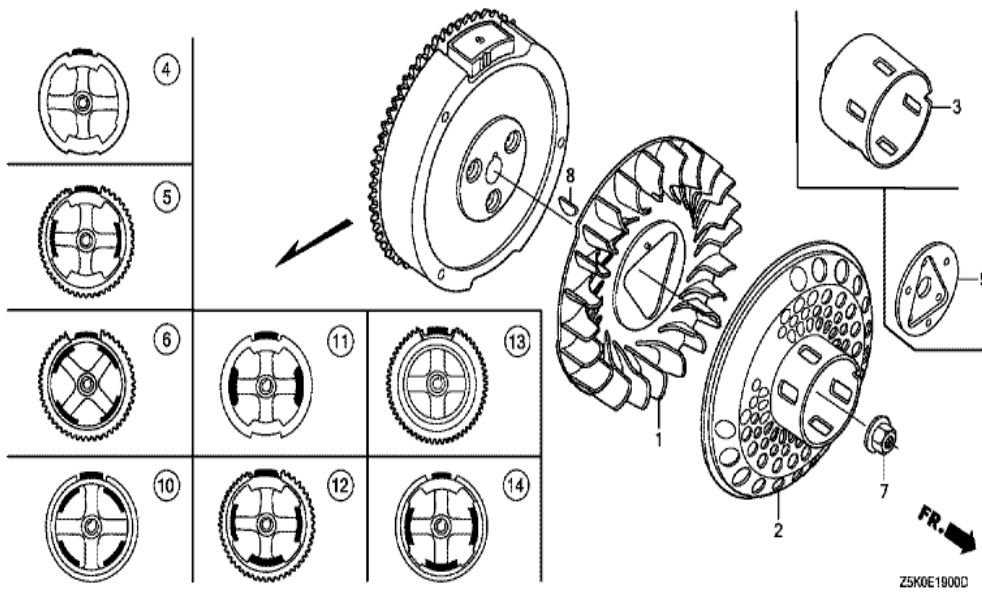
Z5KDE1610A



| <u>Ref</u> | <u>Partnumber</u> | <u>Description</u> | <u>GX270RT</u> | <u>Serial Numbers</u> |
|------------|-------------------|--------------------|----------------|-----------------------|
| 001 | 18330-ZE2-700 | PIPE, EX. | 1 | |
| 002 | 18333-ZF6-W01 | GASKET, EX. PIPE | 1 | |
| 003 | 94050-08000 | NUT, FLANGE, 8MM | 2 | |

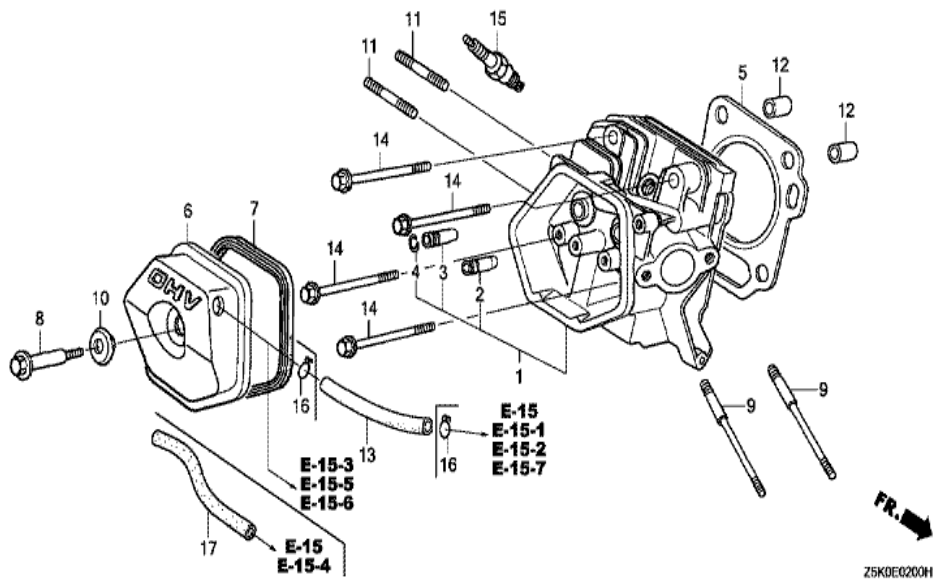


| Ref | Partnumber | Description | GX270RT | Serial Numbers |
|-----|---------------|---------------------------|---------|----------------|
| 012 | 95002-4080008 | CLAMP, TUBE (D8) | 4 | |
| 012 | 95002-4080008 | CLAMP, TUBE (D8) | 4 | 1007381 |
| 013 | 16910-GB2-005 | STRAINER COMP., FUEL | 1 | |
| 018 | 90854-ZB3-000 | RUBBER, FUEL (9X15X20) | 1 | |
| 019 | 91424-Z4J-802 | TUBE, FUEL, 4.5X150 (FKM) | 1 | |
| 020 | 91424-Z5J-802 | TUBE, FUEL, 4.5X120 (FKM) | 1 | |



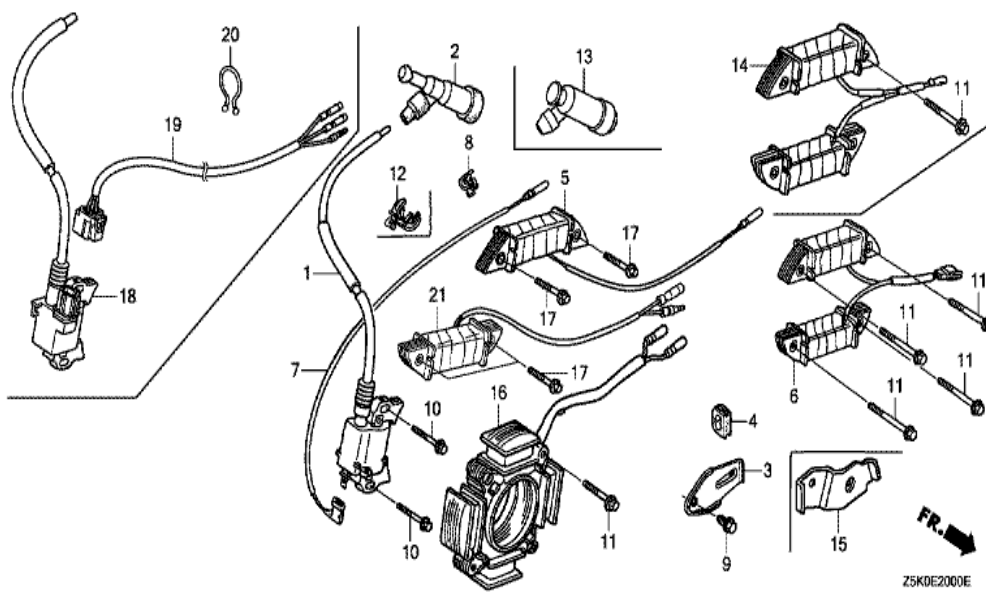
Z5K0E1900D

| Ref | Partnumber | Description | GX270RT | Serial Numbers |
|-----|---------------|-------------------------------------|---------|----------------|
| 001 | 19511-ZE2-000 | FAN, COOLING | 1 | |
| 002 | 28450-ZE2-W11 | PULLEY COMP., STARTER (SCREEN GRID) | 1 | |
| 005 | 31100-ZE2-822 | FLYWHEEL COMP. (STARTER MOTOR) | 1 | |
| 007 | 90201-ZE3-790 | NUT, SPECIAL, 16MM | 1 | |
| 008 | 90741-ZE2-000 | KEY, SPECIAL WOODRUFF, 25X18 | 1 | |



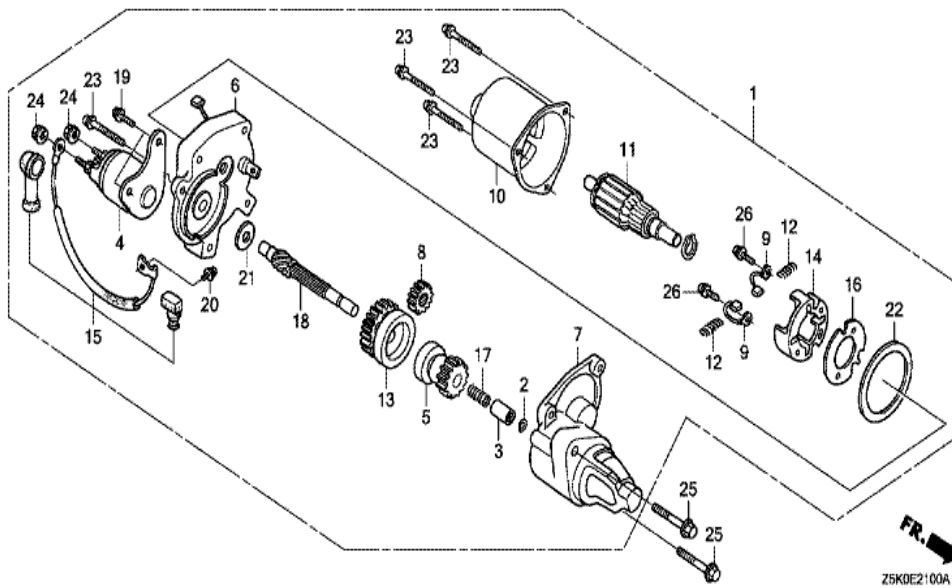
Z5KDEG200H

| <u>Ref</u> | <u>Partnumber</u> | <u>Description</u> | <u>GX270RT</u> | <u>Serial Numbers</u> |
|------------|-------------------|---------------------------------------|----------------|-----------------------|
| 001 | 12200-Z1D-405 | HEAD COMP., CYLINDER | 1 | |
| 002 | 12204-ZE2-306 | GUIDE, IN. VALVE (O.S.) | 1 | |
| 003 | 12205-ZE2-305 | GUIDE, EX. VALVE (OS) | 1 | |
| 004 | 12216-ZE2-300 | CLIP, VALVE GUIDE | 1 | |
| 005 | 12251-Z1D-801 | GASKET, CYLINDER HEAD (THAI LEAKLESS) | 1 | |
| 006 | 12310-ZE2-020 | COVER COMP., HEAD | 1 | |
| 007 | 12391-ZE2-020 | PACKING, HEAD COVER | 1 | |
| 008 | 90014-ZE2-000 | BOLT, HEAD COVER | 1 | |
| 009 | 90042-ZE2-700 | BOLT, STUD, 8X98 | 2 | |
| 009 | 90042-ZE2-700 | BOLT, STUD, 8X98 | 2 | |
| 010 | 90441-ZE2-010 | WASHER COMP., HEAD COVER | 1 | |
| 011 | 92900-080320E | BOLT, STUD, 8X32 | 2 | |
| 011 | 92900-080320E | BOLT, STUD, 8X32 | 2 | |
| <u>Ref</u> | <u>Partnumber</u> | <u>Description</u> | <u>GX270RT</u> | <u>Serial Numbers</u> |
| 012 | 94301-12200 | DOWEL PIN, 12X20 | 2 | |
| 014 | 95701-1008000 | BOLT, FLANGE, 10X80 | 4 | |
| 015 | 98079-55846 | PLUG, SPARK (BPR5ES) (NGK) | (1) | |
| 015 | 98079-55855 | PLUG, SPARK (W16EPR-U) (DENSO) | 1 | |
| 015 | 98079-55876 | PLUG, SPARK (BPR5ES) (NGK) | 1 | |

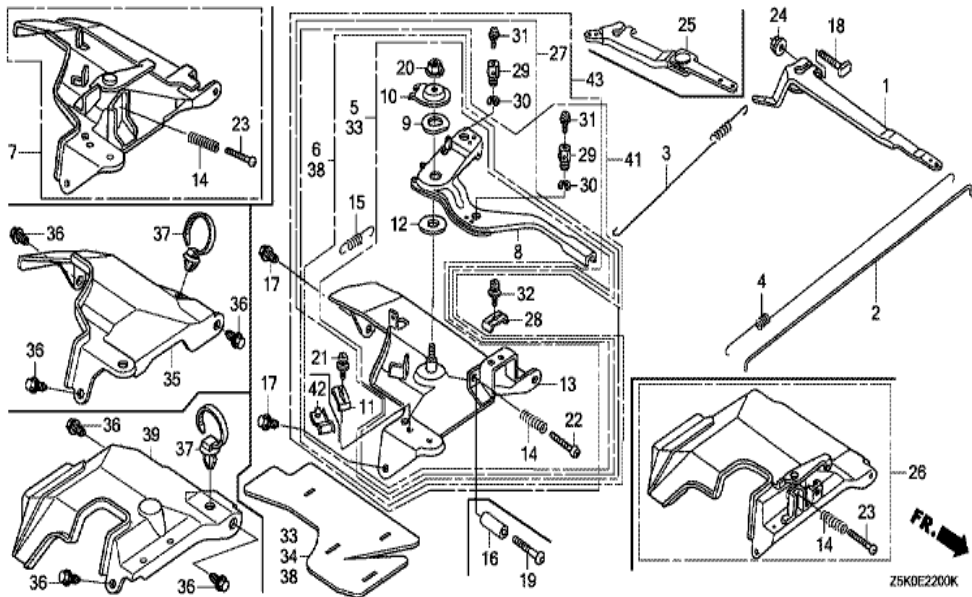


Z5K0E2000E

| Ref | Partnumber | Description | GX270RT | Serial Numbers |
|-----|---------------|-----------------------------|---------|----------------|
| 001 | 30500-Z1C-023 | COIL ASSY., IGNITION | 1 | |
| 003 | 31511-ZE2-000 | CLAMPER, CORD | 1 | |
| 004 | 31512-ZE2-000 | GROMMET, CORD | 1 | |
| 005 | 31630-ZE1-013 | COIL ASSY., CHARGE (1A) | 1 | |
| 007 | 36101-ZE1-010 | CORD, STOP SWITCH (370MM) | 1 | |
| 009 | 90013-883-000 | BOLT, FLANGE, 6X12 (CT200) | 1 | |
| 013 | 30700-ZF5-013 | CAP ASSY., NOISE SUPPRESSOR | 1 | |
| 017 | 90015-883-000 | BOLT, FLANGE, 6X28 (CT200) | 2 | |

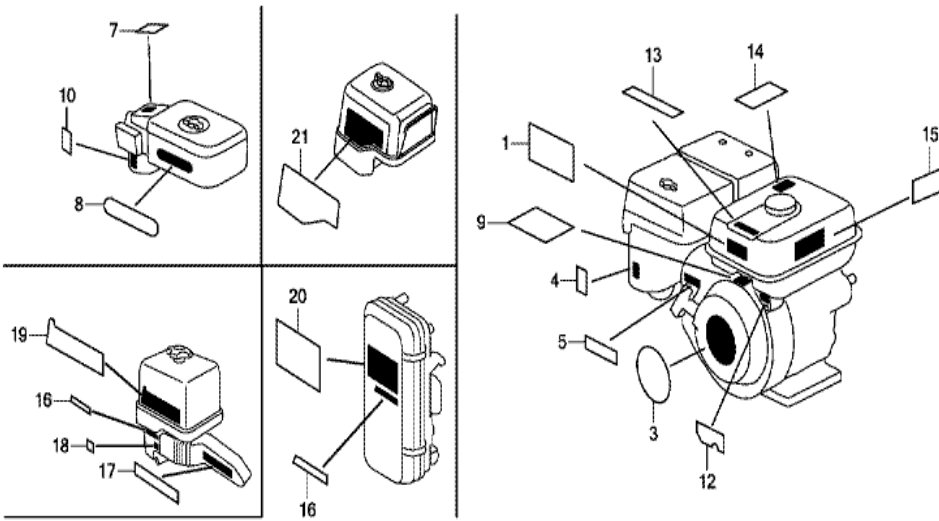


| Ref | Partnumber | Description | GX270RT | Serial Numbers |
|-----|---------------|---------------------------|---------|----------------|
| 001 | 31200-ZH9-013 | MOTOR ASSY., STARTER | 1 | |
| 002 | 31201-ZA1-003 | RING, SNAP | 1 | |
| 003 | 31202-ZA1-003 | COLLAR, CLUTCH STOP | 1 | |
| 004 | 31204-ZA0-003 | CONTACTOR ASSY. | 1 | |
| 005 | 31207-ZH9-003 | CLUTCH COMP., OVERRUNNING | 1 | |
| 006 | 31211-ZE2-003 | BRACKET, CENTER | 1 | |
| 007 | 31212-ZE2-003 | BRACKET, FR. | 1 | |
| 008 | 31213-ZE2-003 | GEAR, DRIVE PINION | 1 | |
| 009 | 31215-ZE2-003 | BRUSH | 2 | |
| 010 | 31216-ZE2-003 | YOKE COMP. | 1 | |
| 011 | 31217-ZE2-003 | ARMATURE COMP. | 1 | |
| 012 | 31219-ZE2-003 | SPRING, BRUSH RETURN | 4 | |
| 013 | 31222-ZE3-791 | GEAR, REDUCTION | 1 | |
| Ref | Partnumber | Description | GX270RT | Serial Numbers |
| 014 | 31231-ZE2-003 | HOLDER, BRUSH | 1 | |
| 015 | 31232-ZE3-003 | WIRE, WATER COVER | 1 | |
| 016 | 31233-ZE2-003 | INSULATOR | 1 | |
| 017 | 31244-ZH9-003 | SPRING | 1 | |
| 018 | 31245-ZH9-003 | SHAFT | 1 | |
| 019 | 90007-ZE2-003 | BOLT-WASHER, 5X14 | 2 | |
| 020 | 90110-ZE2-003 | SCREW-WASHER, 4X6 | 1 | |
| 021 | 90403-ZH9-003 | WASHER, SK | 1 | |
| 022 | 91601-ZE2-003 | PACKING | 1 | |
| 023 | 93892-0503218 | SCREW-WASHER, 5X32 | 4 | |
| 024 | 94070-06080 | NUT-WASHER, 6MM | 2 | |
| 025 | 95701-0804000 | BOLT, FLANGE, 8X40 | 2 | |
| 026 | 31219-ZE3-003 | SCREW-WASHER, 4X14 | 2 | |



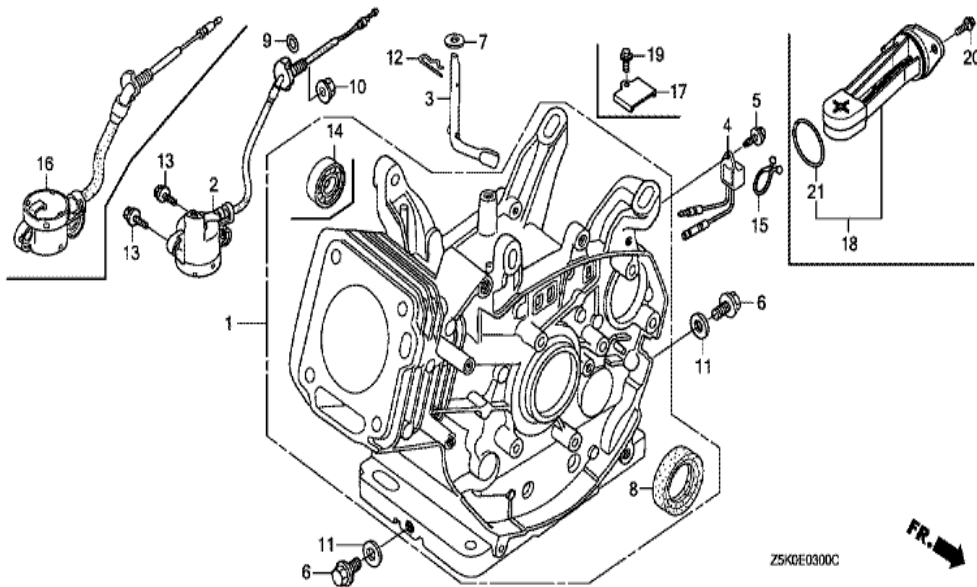
Z5KDE2200K

| Ref | Partnumber | Description | GX270RT | Serial Numbers |
|-----|---------------|----------------------------|---------|----------------|
| 001 | 16551-ZE2-000 | ARM, GOVERNOR | 1 | |
| 002 | 16555-ZE2-000 | ROD, GOVERNOR | 1 | |
| 003 | 16561-ZK9-800 | SPRING, GOVERNOR | 1 | |
| 004 | 16562-ZE2-000 | SPRING, THROTTLE RETURN | 1 | |
| 014 | 16584-883-300 | SPRING, CONTROL ADJUSTING | 1 | |
| 016 | 16599-ZG1-M10 | COLLAR, STOPPER | (1) | |
| 017 | 90013-883-000 | BOLT, FLANGE, 6X12 (CT200) | 2 | |
| 018 | 90015-ZE5-010 | BOLT, GOVERNOR ARM | 1 | |
| 019 | 90016-ZG9-N30 | SCREW, RECESSED, 5X25 | (1) | |
| 023 | 93500-050350A | SCREW, PAN, 5X35 | 1 | |
| 024 | 94050-06000 | NUT, FLANGE, 6MM | 1 | |
| 026 | 16570-ZE2-701 | CONTROL ASSY. | 1 | |

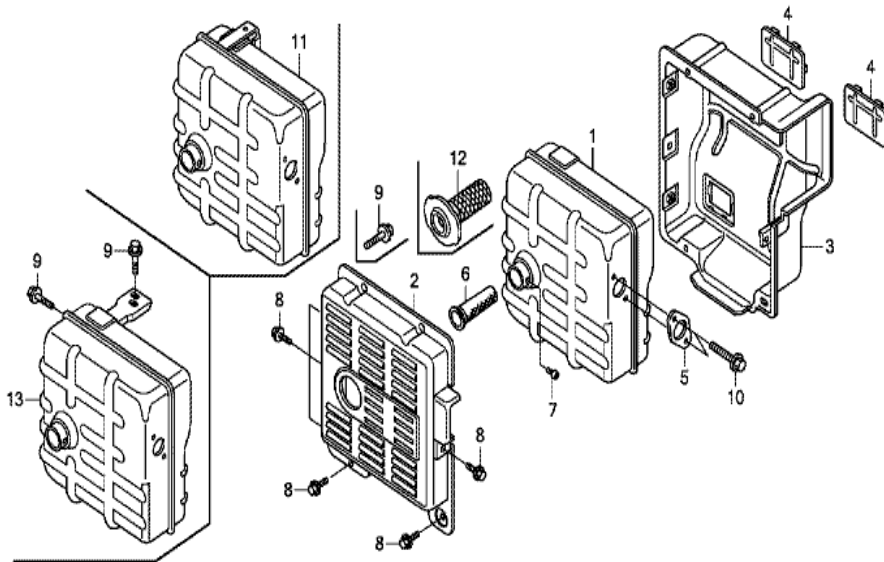


Z5K0E2800G

| Ref | Partnumber | Description | GX270RT | Serial Numbers |
|-----|---------------|--|---------|----------------|
| 003 | 87521-ZH9-040 | EMBLEM (GX270) | 1 | |
| 009 | 87516-Z4H-000 | MARK, OPERATOR CAUTION (ENGLISH) (MADE I | 1 | |
| 009 | 87516-Z4H-810 | MARK, OPERATOR CAUTION (PICTOGRAPH) (MAD | (1) | |

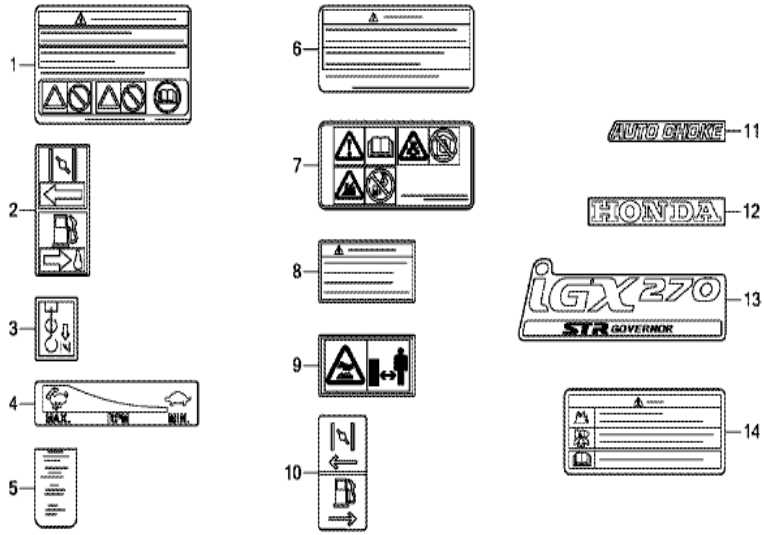


| Ref | Partnumber | Description | GX270RT | Serial Numbers |
|-----|---------------|--|---------|----------------|
| 001 | 12000-ZH9-407 | BARREL ASSY., CYLINDER (SELFSTARTER+ALER | 1 | |
| 003 | 16541-ZE2-010 | SHAFT, GOVERNOR ARM | 1 | |
| 004 | 34150-ZH7-013 | ALERT UNIT, OIL | 1 | |
| 005 | 90013-883-000 | BOLT, FLANGE, 6X12 (CT200) | 1 | |
| 006 | 90131-883-000 | BOLT, DRAIN PLUG, 12X15 | 2 | |
| 007 | 90446-KE1-000 | WASHER, 8.2X17X0.8 | 1 | |
| 008 | 91201-890-003 | OIL SEAL, 30X46X8 | 1 | |
| 009 | 91353-671-004 | O-RING, 14MM (NOK) | 1 | |
| 010 | 94050-10000 | NUT, FLANGE, 10MM | 1 | |
| 011 | 94109-12000 | WASHER, DRAIN PLUG, 12MM | 2 | |
| 012 | 94251-10000 | PIN, LOCK, 10MM | 1 | |
| 013 | 95701-0601200 | BOLT, FLANGE, 6X12 | 2 | |
| 016 | 35480-ZF6-003 | SWITCH ASSY., OIL LEVEL | 1 | |



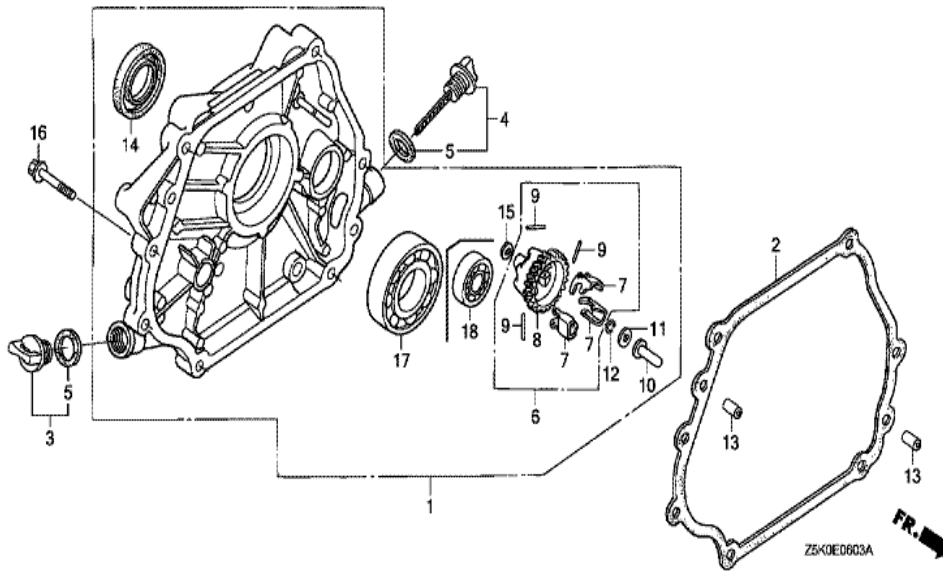
Z5K0E4000C

| Ref | Partnumber | Description | GX270RT | Serial Numbers |
|-----|---------------|----------------------|---------|----------------|
| 005 | 18333-ZB4-800 | GASKET, EX. PIPE | 1 | |
| 006 | 18355-ZB4-630 | ARRESTER, SPARK | (1) | |
| 007 | 90002-Z0T-800 | SCREW, TAPPING, 4X8 | 1 | |
| 007 | 90055-ZE1-000 | SCREW, TAPPING, 4X6 | (1) | |
| 009 | 95701-0801608 | BOLT, FLANGE, 8X16 | 2 | |
| 010 | 95701-0802008 | BOLT, FLANGE, 8X20 | 2 | |
| 011 | 18310-Z1D-800 | MUFFLER COMP. (SDMO) | 1 | |
| 012 | 18355-ZE2-010 | ARRESTER, SPARK | (1) | |

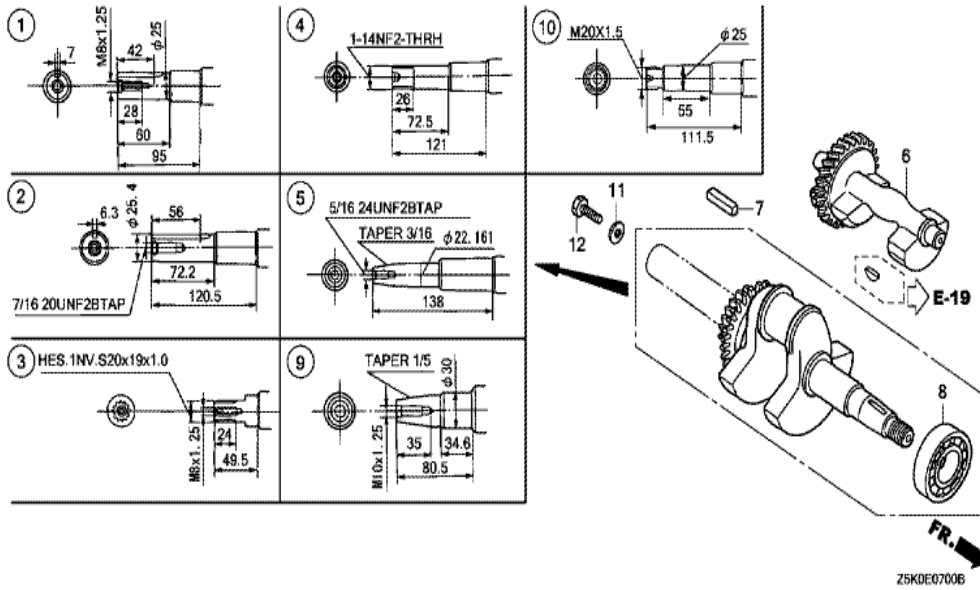


Z5K0E4002C

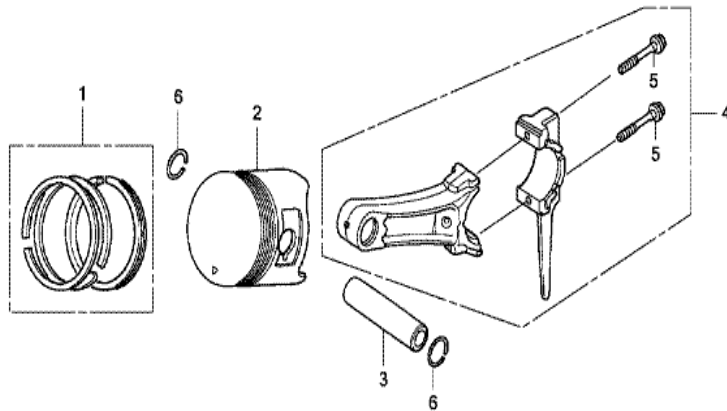
| Ref | Partnumber | Description | GX270RT | Serial Numbers |
|-----|---------------|--|---------|----------------|
| 001 | 87516-Z4H-800 | MARK, OPERATOR CAUTION (FRENCH) (MADE IN | 1 | |
| 003 | 87528-898-620 | MARK, CHOKE | 1 | |



| <u>Ref</u> | <u>Partnumber</u> | <u>Description</u> | <u>GX270RT</u> | <u>Serial Numbers</u> |
|------------|-------------------|-------------------------------|----------------|-----------------------|
| 001 | 11300-Z1D-820 | COVER ASSY., CRANKCASE | 1 | |
| 002 | 11381-ZE2-801 | PACKING, CASE COVER | 1 | |
| 003 | 15600-Z0T-820 | CAP ASSY., OIL FILLER (BLACK) | 1 | |
| 004 | 15600-Z1C-000 | CAP ASSY., OIL FILLER | 1 | |
| 005 | 15625-Z0T-800 | PACKING, OIL FILLER CAP | 2 | |
| 006 | 16510-ZE3-000 | GOVERNOR ASSY. | 1 | |
| 007 | 16511-ZE8-000 | WEIGHT, GOVERNOR | 3 | |
| 008 | 16512-ZE3-000 | HOLDER, GOVERNOR WEIGHT | 1 | |
| 009 | 16513-ZE2-000 | PIN, GOVERNOR WEIGHT | 3 | |
| 010 | 16531-Z0A-000 | SLIDER, GOVERNOR | 1 | |
| 011 | 90473-147-000 | WASHER, 6X16 | 1 | |
| 012 | 90602-ZE1-000 | CLIP, GOVERNOR HOLDER | 1 | |
| 013 | 90701-HC4-000 | DOWEL PIN, 8X12 | 2 | |
| <u>Ref</u> | <u>Partnumber</u> | <u>Description</u> | <u>GX270RT</u> | <u>Serial Numbers</u> |
| 014 | 91201-Z1D-003 | OIL SEAL, 30X46X8 (NOK ASIA) | 1 | |
| 015 | 94101-06800 | WASHER, PLAIN, 6MM | 1 | |
| 016 | 95701-0803500 | BOLT, FLANGE, 8X35 | 7 | |
| 017 | 96100-6206000 | BEARING, RADIAL BALL, 6206 | 1 | |



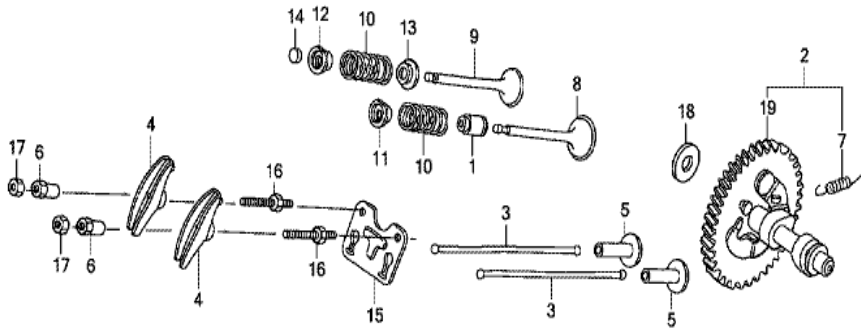
| Ref | Partnumber | Description | GX270RT | Serial Numbers |
|-----|---------------|--------------------------------|---------|----------------|
| 005 | 13310-ZH9-841 | CRANKSHAFT COMP. | 1 | |
| 008 | 91001-ZH9-003 | BEARING, RADIAL BALL (6206 SH) | 1 | |



ZSKOE0800A

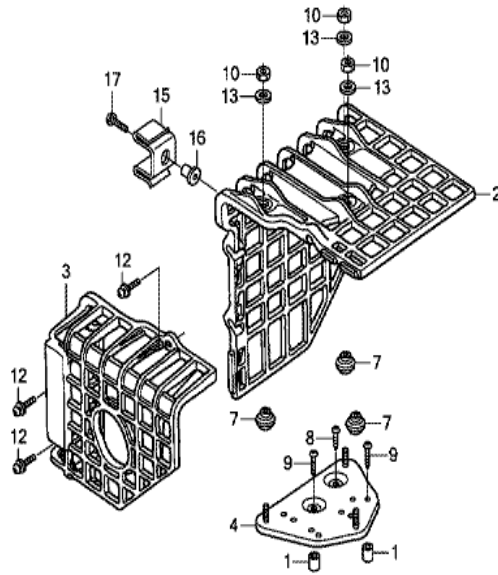


| <u>Ref</u> | <u>Partnumber</u> | <u>Description</u> | <u>GX270RT</u> | <u>Serial Numbers</u> |
|------------|-------------------|---|----------------|-----------------------|
| 001 | 13010-Z5H-004 | RING SET, PISTON (STD.) (TPR) | 1 | |
| 001 | 13011-Z5H-004 | RING SET, PISTON (0.25) (TPR) | (1) | |
| 001 | 13012-Z5H-004 | RING SET, PISTON (0.50) (TPR) | (1) | |
| 001 | 13013-Z5H-004 | RING SET, PISTON (0.75) (TPR) | (1) | |
| 002 | 13101-ZH9-010 | PISTON (STD.) | 1 | |
| 002 | 13101-ZH9-010 | PISTON (STD.) | 1 | |
| 002 | 13102-ZH9-010 | PISTON (0.25) | (1) | |
| 002 | 13102-ZH9-010 | PISTON (0.25) | (1) | |
| 002 | 13103-ZH9-010 | PISTON (0.50) | (1) | |
| 002 | 13103-ZH9-010 | PISTON (0.50) | (1) | |
| 002 | 13104-ZH9-010 | PISTON (0.75) | (1) | |
| 002 | 13104-ZH9-010 | PISTON (0.75) | (1) | |
| 003 | 13111-ZE2-000 | PIN, PISTON | 1 | |
| <u>Ref</u> | <u>Partnumber</u> | <u>Description</u> | <u>GX270RT</u> | <u>Serial Numbers</u> |
| 004 | 13200-Z1D-000 | ROD ASSY., CONNECTING (STD.) | 1 | |
| 004 | 13200-ZE2-305 | ROD ASSY., CONNECTING (0.25 UNDER SIZE) | (1) | |
| 005 | 90001-ZE8-000 | BOLT, CONNECTING ROD | 2 | |
| 006 | 90551-ZE1-000 | CLIP, PISTON PIN, 18MM | 2 | |



Z5KDE09G0B

| <u>Ref</u> | <u>Partnumber</u> | <u>Description</u> | <u>GX270RT</u> | <u>Serial Numbers</u> |
|------------|-------------------|----------------------------|----------------|-----------------------|
| 001 | 12209-ZE8-003 | SEAL, VALVE STEM | 1 | |
| 002 | 14100-ZH9-010 | CAMSHAFT ASSY. | 1 | |
| 003 | 14410-Z1D-000 | ROD, PUSH | 2 | |
| 004 | 14431-ZE2-010 | ARM, VALVE ROCKER | 2 | |
| 005 | 14441-ZE2-000 | LIFTER, VALVE | 2 | |
| 006 | 14451-ZE1-013 | PIVOT, ROCKER ARM | 2 | |
| 007 | 14568-ZE1-000 | SPRING, WEIGHT RETURN | 1 | |
| 008 | 14711-ZE2-000 | VALVE, IN. | 1 | |
| 009 | 14721-ZE2-000 | VALVE, EX. | 1 | |
| 010 | 14751-Z1C-000 | SPRING, VALVE | 2 | |
| 011 | 14771-Z8S-000 | RETAINER, IN. VALVE SPRING | 1 | |
| 012 | 14773-Z8S-000 | RETAINER, EX. VALVE SPRING | 1 | |
| 013 | 14775-ZE2-010 | SEAT, VALVE SPRING | 1 | |
| <u>Ref</u> | <u>Partnumber</u> | <u>Description</u> | <u>GX270RT</u> | <u>Serial Numbers</u> |
| 014 | 14781-ZE2-000 | ROTATOR, VALVE | 1 | |
| 015 | 14791-Z1D-000 | GUIDE, PUSH ROD | 1 | |
| 016 | 90012-ZE0-010 | BOLT, PIVOT, 8MM | 2 | |
| 017 | 90206-ZE1-000 | NUT, PIVOT ADJUSTING | 2 | |



Z5KDX0200C

| <u>Ref</u> | <u>Partnumber</u> | <u>Description</u> | <u>GX270RT</u> | <u>Serial Numbers</u> |
|------------|-------------------|---------------------------|----------------|-----------------------|
| 001 | 17233-896-701 | COLLAR, AIR CLEANER CASE | (2) | |
| 002 | 18433-Z5T-000 | COVER COMP., MUFFLER | (1) | |
| 002 | 18433-ZF6-W40 | COVER COMP., MUFFLER | (1) | |
| 003 | 18434-Z5T-000 | COVER COMP., RR. MUFFLER | (1) | |
| 003 | 18434-ZF6-W40 | COVER COMP., RR. MUFFLER | (1) | |
| 004 | 18436-ZH8-W40 | BASE COMP., MUFFLER COVER | (1) | |
| 004 | 18436-ZH8-W41 | BASE COMP., MUFFLER COVER | (1) | |
| 005 | 18437-ZF6-W40 | STAY, MUFFLER COVER | (1) | |
| 006 | 18438-ZF6-W40 | PLATE, SET | (1) | |
| 007 | 18466-ZH8-W40 | SPACER, MUFFLER COVER | (6) | |
| 008 | 90050-ZE1-000 | SCREW, TAPPING, 5X8 | (1) | |
| 009 | 90050-ZH8-W40 | SCREW, TAPPING, 5X25 | (2) | |
| 010 | 90302-KF9-900 | NUT, HEX., 5MM | (3) | |
| <u>Ref</u> | <u>Partnumber</u> | <u>Description</u> | <u>GX270RT</u> | <u>Serial Numbers</u> |
| 011 | 93891-0501200 | SCREW-WASHER, 5X12 | (1) | |
| 012 | 93891-0602007 | SCREW-WASHER, 6X20 | (3) | |
| 013 | 94103-05700 | WASHER, PLAIN, 5MM | (3) | |
| 014 | 94111-05000 | WASHER, SPRING, 5MM | (1) | |
| 015 | 18437-Z5T-000 | STAY, MUFFLER COVER | (1) | |
| 016 | 19619-ZL8-300 | COLLAR, FAN COVER | (1) | |
| 017 | 90006-Z5T-000 | SCREW, TAPPING, 6X25 | (1) | |