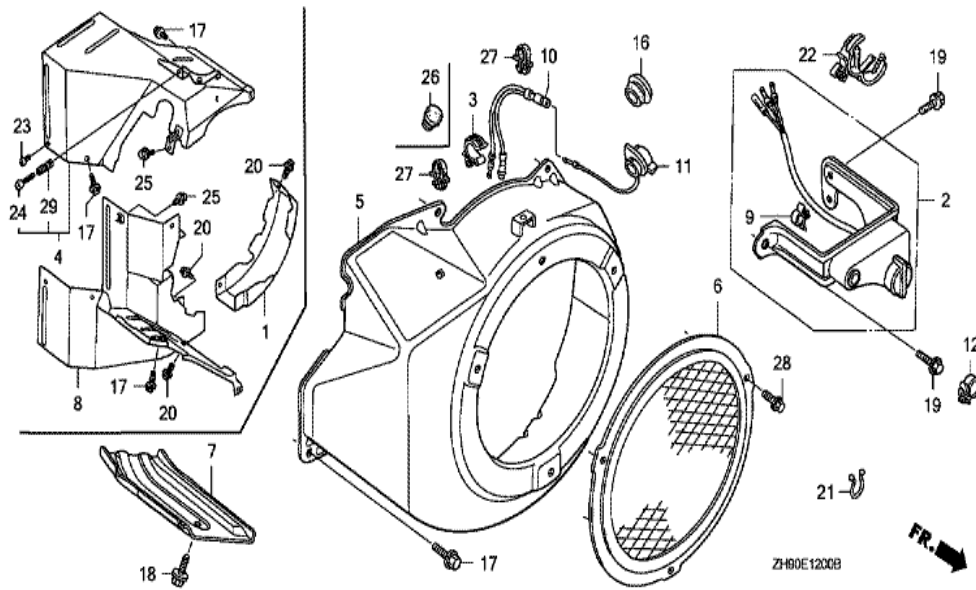




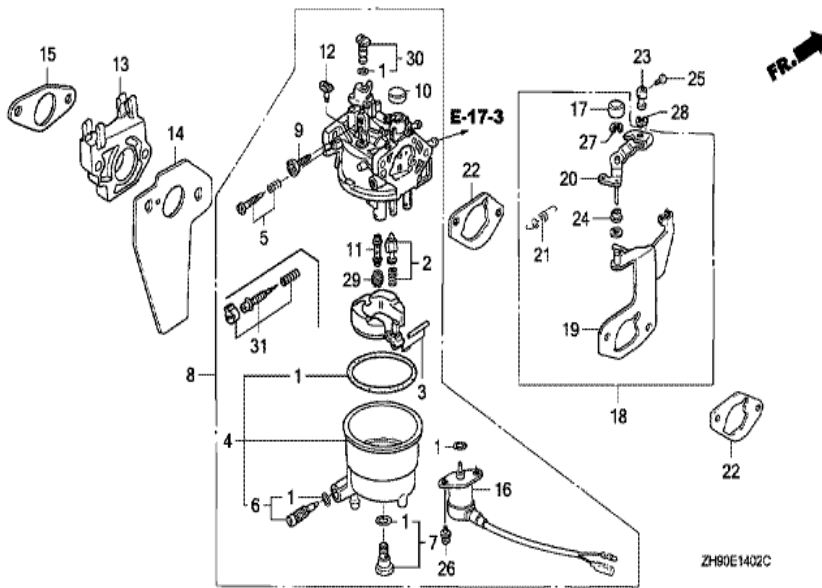
ZH90-E11008



| <u>Ref</u> | <u>Partnumber</u> | <u>Description</u> | <u>GX270</u> | <u>Serial Numbers</u> |
|------------|-------------------|----------------------------------|--------------|-----------------------|
| 001 | 28400-ZE2-W01ZA | STARTER ASSY., RECOIL *R8 * | 1 | |
| 002 | 28410-ZE2-W01ZA | CASE COMP., RECOIL STARTER *R8 * | 1 | |
| 003 | 28421-ZE2-W01 | PULLEY, RECOIL STARTER | 1 | |
| 004 | 28422-ZE2-W01 | RATCHET, STARTER | 2 | |
| 005 | 28441-ZE2-W01 | SPRING, FRICTION | 1 | |
| 006 | 28442-ZE2-W01 | SPRING, STARTER RETURN | 1 | |
| 007 | 28443-ZE2-W01 | SPRING, RATCHET | 2 | |
| 008 | 28444-ZE2-W01 | RETAINER, SPRING | 1 | |
| 010 | 28461-ZE2-W02 | GRIP, STARTER | 1 | |
| 011 | 28462-ZE2-W01 | ROPE, RECOIL STARTER | 1 | 1413598 |
| 011 | 28462-ZE2-W11 | ROPE, RECOIL STARTER | 1 | 1413599 |
| 012 | 28469-ZE2-W01 | REINFORCEMENT, GRIP | 1 | 1413598 |
| 013 | 90004-ZE2-W01 | SCREW, CENTER | 1 | |
| <u>Ref</u> | <u>Partnumber</u> | <u>Description</u> | <u>GX270</u> | <u>Serial Numbers</u> |
| 014 | 90008-ZE2-003 | BOLT, FLANGE, 6X10 | 3 | |

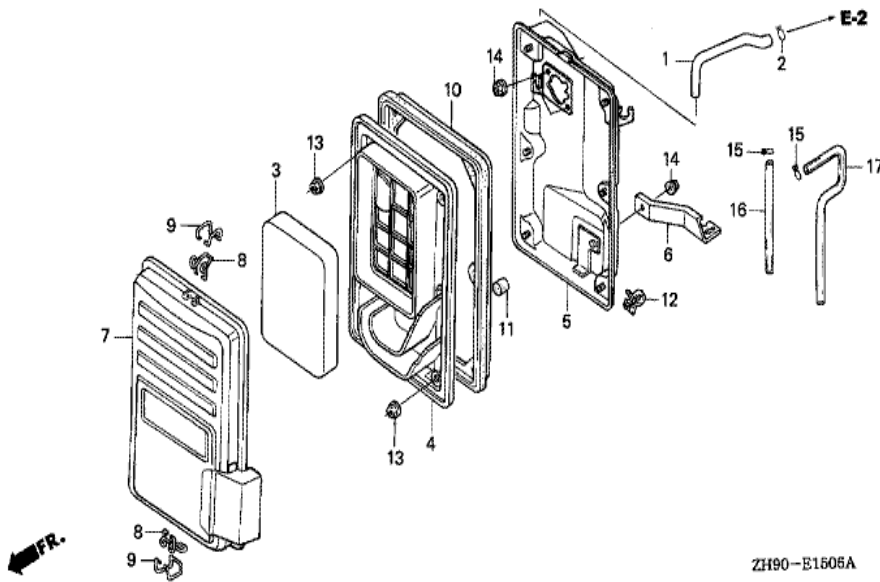


| Ref | Partnumber | Description | GX270 | Serial Numbers |
|-----|---------------|-----------------------------|-------|----------------|
| 001 | 11315-ZB7-000 | SCROLL, GENERATOR FAN | 1 | |
| 004 | 19602-ZE2-E10 | SHROUD ASSY., UPPER | 1 | |
| 005 | 19610-ZH9-V10 | COVER COMP., FAN (SHIBAURA) | 1 | |
| 008 | 19640-ZE2-E10 | SHROUD COMP., LOWER | 1 | |
| 012 | 36103-ZE1-000 | HOLDER, STOP SWITCH CORD | 1 | |
| 016 | 81329-567-020 | GROMMET, DRAIN HOLE | 1 | |
| 017 | 90013-883-000 | BOLT, FLANGE, 6X12 (CT200) | 5 | |
| 020 | 90019-883-000 | BOLT, FLANGE, 5X10 | 3 | |
| 023 | 93500-050080A | SCREW, PAN, 5X8 | 1 | |
| 024 | 93500-050320A | SCREW, PAN, 5X32 | 1 | |
| 025 | 90008-ZE2-003 | BOLT, FLANGE, 6X10 | 3 | |
| 029 | 16584-883-300 | SPRING, CONTROL ADJUSTING | 1 | |



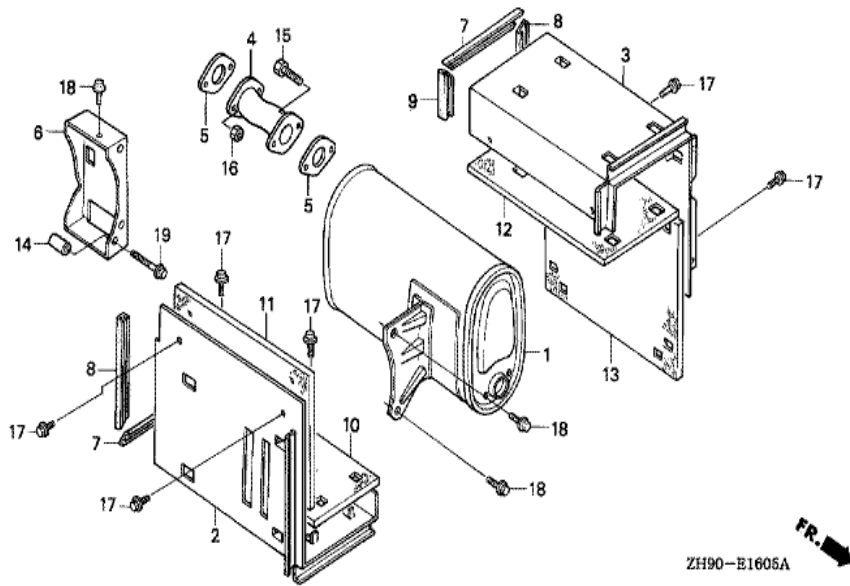
| Ref | Partnumber | Description | GX270 | Serial Numbers |
|-----|---------------|----------------------------|-------|----------------|
| 001 | 16010-ZE3-701 | GASKET SET | 1 | |
| 002 | 16011-ZA0-931 | VALVE SET, FLOAT | 1 | |
| 003 | 16013-ZA0-931 | FLOAT SET | 1 | |
| 004 | 16015-ZA0-931 | CHAMBER SET, FLOAT | 1 | |
| 005 | 16016-ZA0-931 | SCREW SET, PILOT | 1 | |
| 006 | 16024-124-761 | SCREW SET, DRAIN | 1 | |
| 007 | 16028-ZA0-931 | SCREW SET | 1 | |
| 008 | 16100-ZH9-V10 | CARBURETOR ASSY. (BE21E A) | 1 | 1175523 |
| 008 | 16100-ZH9-V11 | CARBURETOR ASSY. (BE21E B) | 1 | 1175524 |
| 009 | 16124-ZE0-005 | SCREW, THROTTLE STOP | 1 | |
| 010 | 16148-141-881 | CAP, CHOKE DUST | 1 | |
| 011 | 16166-ZH9-820 | NOZZLE, MAIN | 1 | |
| 012 | 16172-ZE3-W10 | COLLAR, SETTING | 1 | |

| <u>Ref</u> | <u>Partnumber</u> | <u>Description</u> | <u>GX270</u> | <u>Serial Numbers</u> |
|------------|-------------------|--------------------------|--------------|-----------------------|
| 013 | 16211-ZB7-000 | INSULATOR, CARBURETOR | 1 | |
| 014 | 16221-ZB7-800 | PACKING, CARBURETOR | 1 | |
| 015 | 16223-ZA0-800 | PACKING, INSULATOR | 1 | |
| 016 | 16230-ZE3-701 | VALVE ASSY., SOLENOID | 1 | |
| 017 | 16252-ZA1-010 | CAP, CHOKE LEVER | 1 | |
| 018 | 16260-ZB7-702 | STAY ASSY., REMOTE CHOKE | 1 | |
| 019 | 16261-ZB7-700 | STAY COMP., REMOTE CHOKE | 1 | |
| 020 | 16263-ZB7-701 | LEVER, REMOTE CHOKE | 1 | |
| 021 | 16268-893-000 | SPRING, CHOKE RETURN | 1 | |
| 022 | 16269-ZA0-800 | PACKING, AIR CLEANER | 2 | |
| 023 | 16617-890-010 | HOLDER, CABLE | 1 | |
| 024 | 91502-ZB7-700 | BUSH, CHOKE LEVER | 1 | |
| 025 | 93500-040080A | SCREW, PAN, 4X8 | 1 | |
| 026 | 93892-0501218 | SCREW-WASHER, 5X12 | 2 | |
| 027 | 94540-04018 | E-RING, 4MM | 1 | |
| 028 | 94540-05010 | E-RING, 5MM | 1 | |
| 029 | 99101-ZH80880 | JET, MAIN, #88 | (1) | |
| 029 | 99101-ZH80900 | JET, MAIN, #90 | (1) | |
| 029 | 99101-ZH80920 | JET, MAIN, #92 | 1 | |
| 030 | 99204-ZE20400 | JET SET, PILOT, #40 | 1 | |



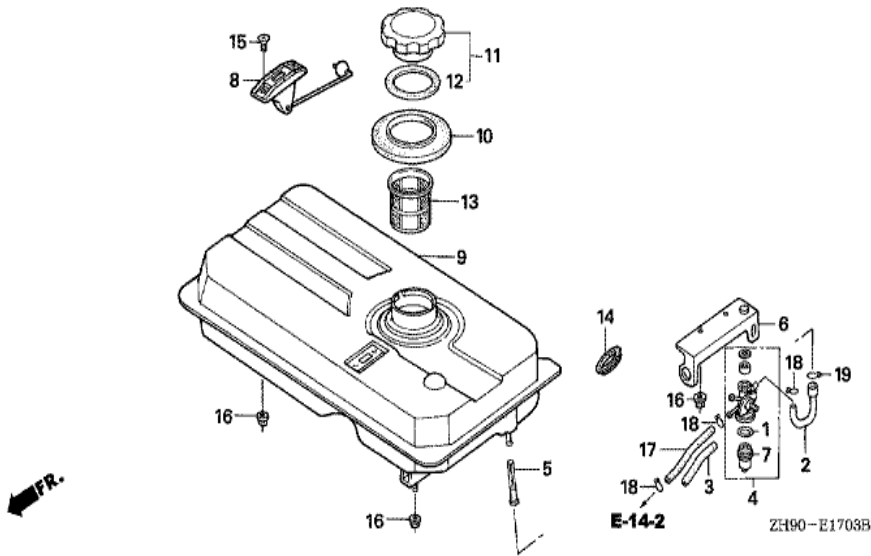
ZH90-E1506A

| <u>Ref</u> | <u>Partnumber</u> | <u>Description</u> | <u>GX270</u> | <u>Serial Numbers</u> |
|------------|-------------------|--|--------------|-----------------------|
| 001 | 15721-ZB7-000 | TUBE, BREATHER | 1 | |
| 002 | 15772-292-010 | CLIP, BREATHER TUBE | 1 | |
| 003 | 17211-899-000 | ELEMENT, AIR CLEANER | 1 | |
| 004 | 17212-ZB4-003 | SEPARATOR, AIR CLEANER | 1 | |
| 005 | 17220-ZB7-000 | CASE COMP., AIR CLEANER | 1 | |
| 006 | 17222-ZB7-000 | STAY, AIR CLEANER | 1 | |
| 007 | 17231-ZB7-000 | COVER COMP., AIR CLEANER | 1 | |
| 008 | 17235-899-000 | CLIP A, AIR CLEANER WIRE | 2 | |
| 009 | 17236-899-000 | CLIP B, AIR CLEANER WIRE | 2 | |
| 010 | 17252-899-000 | SEAL, AIR CLEANER | 1 | |
| 011 | 17367-413-690 | FILTER, DRAIN TUBE | 1 | |
| 012 | 90624-SB0-003 | CLIP, WIRE HARNESS | 1 | |
| 013 | 94050-05000 | NUT, FLANGE, 5MM | 6 | |
| <u>Ref</u> | <u>Partnumber</u> | <u>Description</u> | <u>GX270</u> | <u>Serial Numbers</u> |
| 014 | 94050-06000 | NUT, FLANGE, 6MM | 3 | |
| 015 | 95002-45000 | CLIP, TUBE (C8) | 2 | |
| 016 | 95003-0902331 | TUBE, VINYL, 4.5X8X230 (95003-09001-60M) | 1 | |
| 017 | 95003-0903831 | TUBE, VINYL, 4.5X8X380 (95003-09001-60M) | 1 | |

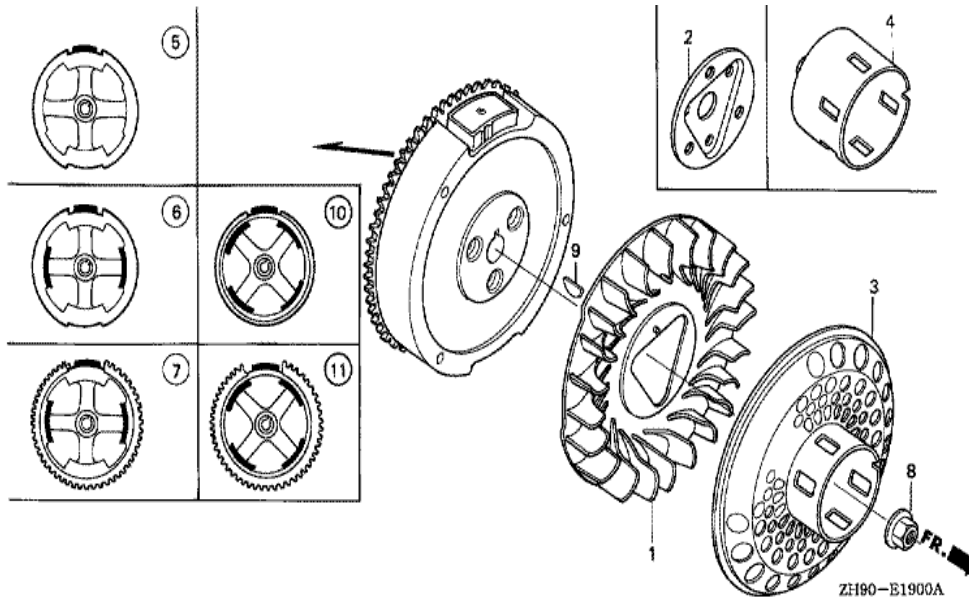


ZH90-E1605A

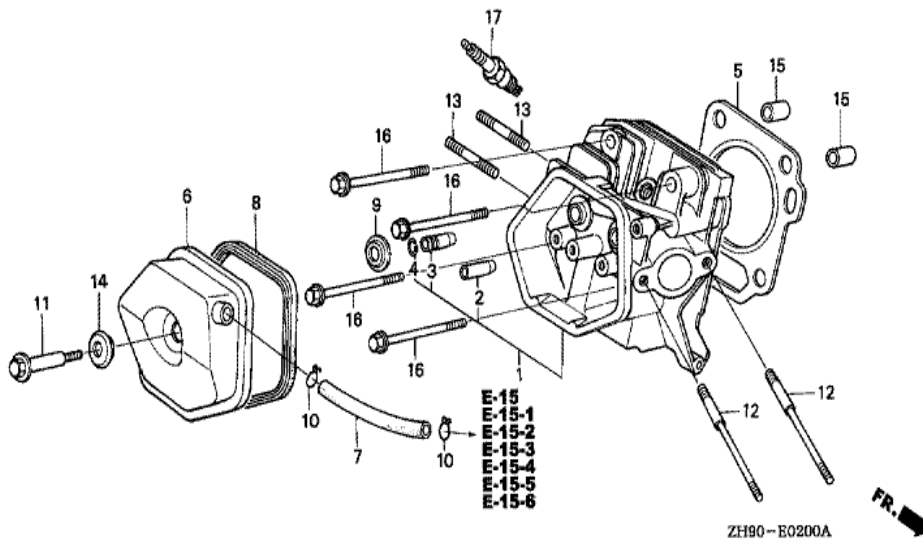
| <u>Ref</u> | <u>Partnumber</u> | <u>Description</u> | <u>GX270</u> | <u>Serial Numbers</u> |
|------------|-------------------|---------------------------------|--------------|-----------------------|
| 001 | 18310-ZB7-003 | MUFFLER COMP. | 1 | |
| 002 | 18321-ZB7-000 | DUCT, LOWER MUFFLER | 1 | |
| 003 | 18325-ZB7-000 | DUCT, UPPER MUFFLER | 1 | |
| 004 | 18330-ZB7-003 | PIPE COMP., EX. | 1 | |
| 005 | 18333-ZB7-800 | GASKET, EX. PIPE | 2 | |
| 006 | 18338-ZB7-000 | STAY COMP., MUFFLER | 1 | |
| 007 | 18412-ZB7-000 | SEAL, MUFFLER DUCT (A) | 2 | |
| 008 | 18413-ZB7-000 | SEAL, MUFFLER DUCT (B) | 2 | |
| 009 | 18414-ZB7-000 | SEAL, MUFFLER DUCT (C) | 2 | |
| 010 | 64181-ZB7-000 | INSULATOR A, LOWER MUFFLER DUCT | 1 | |
| 011 | 64182-ZB7-000 | INSULATOR B, LOWER MUFFLER DUCT | 1 | |
| 012 | 64185-ZB7-000 | INSULATOR A, UPPER MUFFLER DUCT | 1 | |
| 013 | 64186-ZB7-000 | INSULATOR B, UPPER MUFFLER DUCT | 1 | |
| <u>Ref</u> | <u>Partnumber</u> | <u>Description</u> | <u>GX270</u> | <u>Serial Numbers</u> |
| 014 | 91551-ZB7-000 | COLLAR, MUFFLER STAY | 1 | |
| 015 | 92101-080280A | BOLT, HEX., 8X28 | 2 | |
| 016 | 94001-080000S | NUT, HEX., 8MM | 2 | |
| 017 | 95701-0601200 | BOLT, FLANGE, 6X12 | 8 | |
| 018 | 95701-0801600 | BOLT, FLANGE, 8X16 | 3 | |
| 019 | 95701-0804000 | BOLT, FLANGE, 8X40 | 1 | |



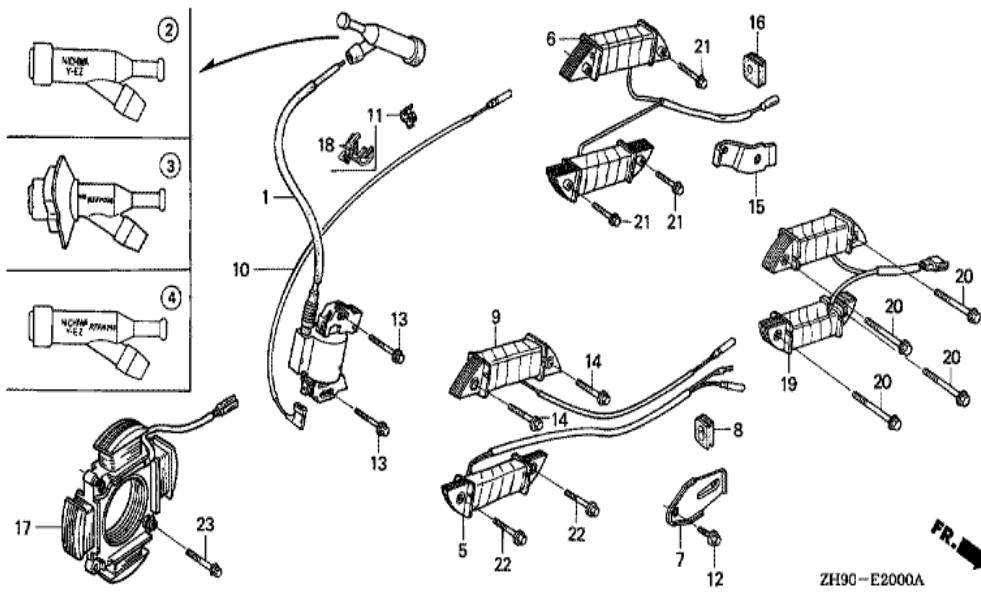
| <u>Ref</u> | <u>Partnumber</u> | <u>Description</u> | <u>GX270</u> | <u>Serial Numbers</u> |
|------------|-------------------|---------------------------------------|--------------|-----------------------|
| 001 | 16173-001-004 | PACKING, FUEL STRAINER CUP | 1 | |
| 002 | 16851-ZB7-700 | TUBE, FUEL (TANK-COCK) | 1 | |
| 003 | 16857-ZB7-000 | TUBE, FUEL SUPPORTER | 1 | |
| 004 | 16950-ZA0-803 | COCK ASSY., FUEL | 1 | |
| 005 | 16952-ZB7-000 | STRAINER, FUEL | 1 | |
| 006 | 16956-ZB7-700 | BRACKET, FUEL COCK | 1 | |
| 007 | 16967-MA2-771 | CUP, FUEL STRAINER | 1 | |
| 008 | 17505-ZB2-003 | METER ASSY., FUEL | 1 | |
| 009 | 17510-ZB7-000 | TANK COMP., FUEL | 1 | |
| 010 | 17520-ZA0-800 | SEAL, FUEL FILLER NECK | 1 | |
| 011 | 17620-899-013 | CAP COMP., FUEL FILLER | 1 | |
| 012 | 17631-899-000 | PACKING, FUEL FILLER CAP | 1 | |
| 013 | 17670-899-000 | FILTER COMP., FUEL | 1 | |
| <u>Ref</u> | <u>Partnumber</u> | <u>Description</u> | <u>GX270</u> | <u>Serial Numbers</u> |
| 014 | 32112-611-000 | GROMMET, WIRE CORD | 1 | |
| 015 | 93600-050100A | SCREW, FLAT, 5X10 | 2 | |
| 016 | 94050-06000 | NUT, FLANGE, 6MM | 6 | |
| 017 | 95001-4525040 | TUBE, FUEL, 4.5X250 (95001-45001-60M) | 1 | |
| 018 | 95002-02080 | CLIP, TUBE (B8) | 3 | |
| 019 | 95002-02100 | CLIP, TUBE (B10) | 1 | |



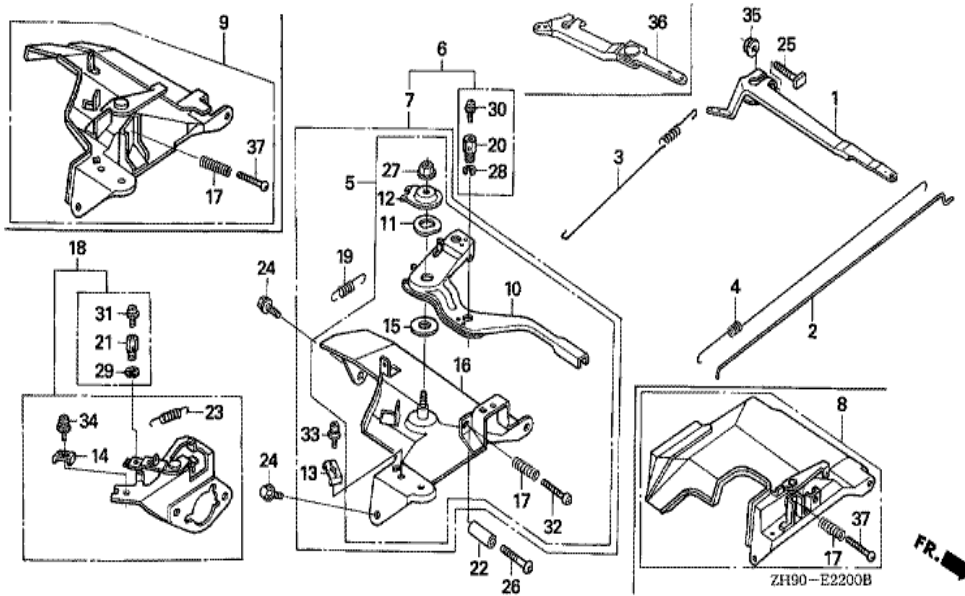
| Ref | Partnumber | Description | GX270 | Serial Numbers |
|-----|---------------|------------------------------|-------|----------------|
| 001 | 19511-ZE2-000 | FAN, COOLING | 1 | |
| 004 | 28451-ZE2-W01 | PULLEY, STARTER | 1 | |
| 005 | 31100-ZE2-010 | FLYWHEEL COMP. | 1 | |
| 008 | 90201-ZE3-790 | NUT, SPECIAL, 16MM | 1 | |
| 008 | 90201-ZE3-790 | NUT, SPECIAL, 16MM | 1 | 1180427 |
| 008 | 90201-ZE3-V00 | NUT, SPECIAL, 16MM | 1 | 1180428 |
| 009 | 90741-ZE2-000 | KEY, SPECIAL WOODRUFF, 25X18 | 1 | |



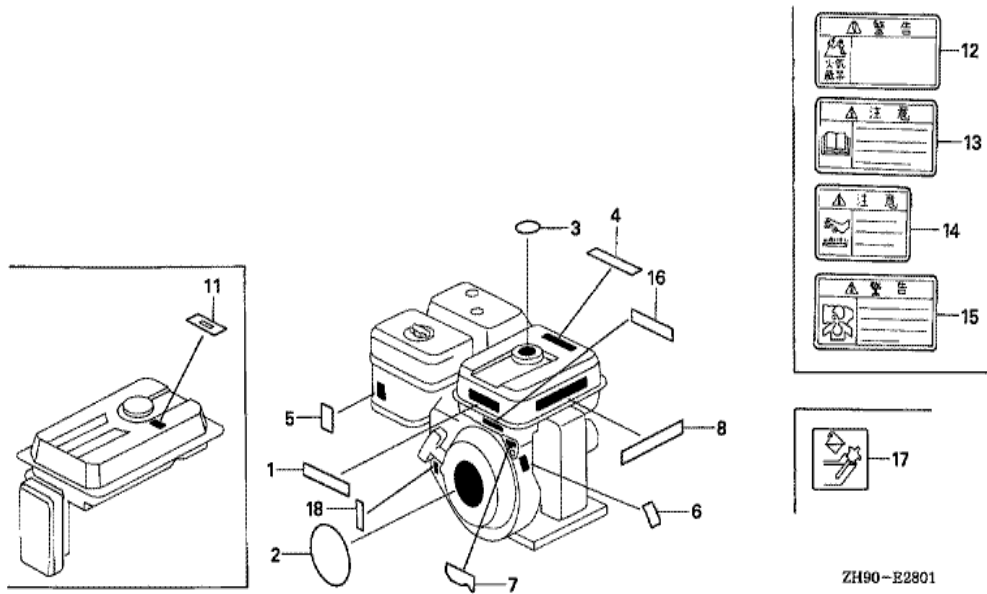
| <u>Ref</u> | <u>Partnumber</u> | <u>Description</u> | <u>GX270</u> | <u>Serial Numbers</u> |
|------------|-------------------|---|--------------|-----------------------|
| 001 | 12200-ZH9-000 | HEAD COMP., CYLINDER | 1 | |
| 002 | 12204-ZE2-306 | GUIDE, IN. VALVE (O.S.) | (1) | |
| 003 | 12205-ZE2-305 | GUIDE, EX. VALVE (OS) | (1) | |
| 004 | 12216-ZE2-300 | CLIP, VALVE GUIDE | 1 | |
| 005 | 12251-ZH9-000 | GASKET, CYLINDER HEAD | 1 | |
| 006 | 12310-ZE3-791 | COVER COMP., HEAD (BREATHER TUBE JOINT) | 1 | |
| 008 | 12391-ZE2-020 | PACKING, HEAD COVER | 1 | |
| 009 | 14775-ZE2-010 | SEAT, VALVE SPRING | 1 | |
| 011 | 90014-ZE2-000 | BOLT, HEAD COVER | 1 | |
| 012 | 90042-ZB7-000 | BOLT, STUD, 8X111 | 2 | |
| 013 | 90012-KM9-000 | BOLT, STUD, 8X34 | 2 | |
| 014 | 90441-ZE2-010 | WASHER COMP., HEAD COVER | 1 | |
| 015 | 94301-12200 | DOWEL PIN, 12X20 | 2 | |
| <u>Ref</u> | <u>Partnumber</u> | <u>Description</u> | <u>GX270</u> | <u>Serial Numbers</u> |
| 016 | 95725-1008000 | BOLT, FLANGE, 10X80 | 4 | |
| 017 | 98079-55846 | PLUG, SPARK (BPR5ES) (NGK) | (1) | |
| 017 | 98079-55855 | PLUG, SPARK (W16EPR-U) (DENSO) | 1 | |



| Ref | Partnumber | Description | GX270 | Serial Numbers |
|-----|---------------|---|-------|----------------|
| 001 | 30500-ZF6-W02 | COIL ASSY., IGNITION | 1 | |
| 003 | 30700-ZB7-013 | CAP ASSY., NOISE SUPPRESSOR (NICHIIWA Y-E | 1 | |
| 008 | 31512-ZE2-000 | GROMMET, CORD | 1 | |
| 010 | 36101-ZE1-010 | CORD, STOP SWITCH (370MM) | 1 | |
| 011 | 36103-ZE1-000 | HOLDER, STOP SWITCH CORD | 1 | |
| 013 | 90015-883-000 | BOLT, FLANGE, 6X28 (CT200) | 2 | |

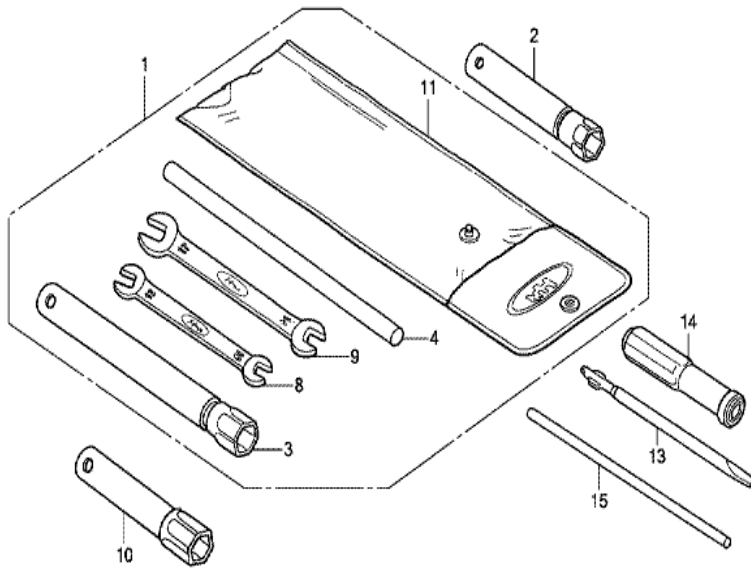


| Ref | Partnumber | Description | GX270 | Serial Numbers |
|-----|---------------|--|-------|----------------|
| 002 | 16555-ZB7-000 | ROD, GOVERNOR | 1 | |
| 003 | 16561-ZE2-000 | SPRING, GOVERNOR (L=145.0MM) (WIRE DIAME | 1 | |
| 004 | 16562-ZE2-000 | SPRING, THROTTLE RETURN | 1 | |
| 025 | 90015-ZE5-010 | BOLT, GOVERNOR ARM | 1 | |
| 035 | 94050-06000 | NUT, FLANGE, 6MM | 1 | |
| 036 | 16550-ZE2-700 | ARM COMP., GOVERNOR | 1 | |



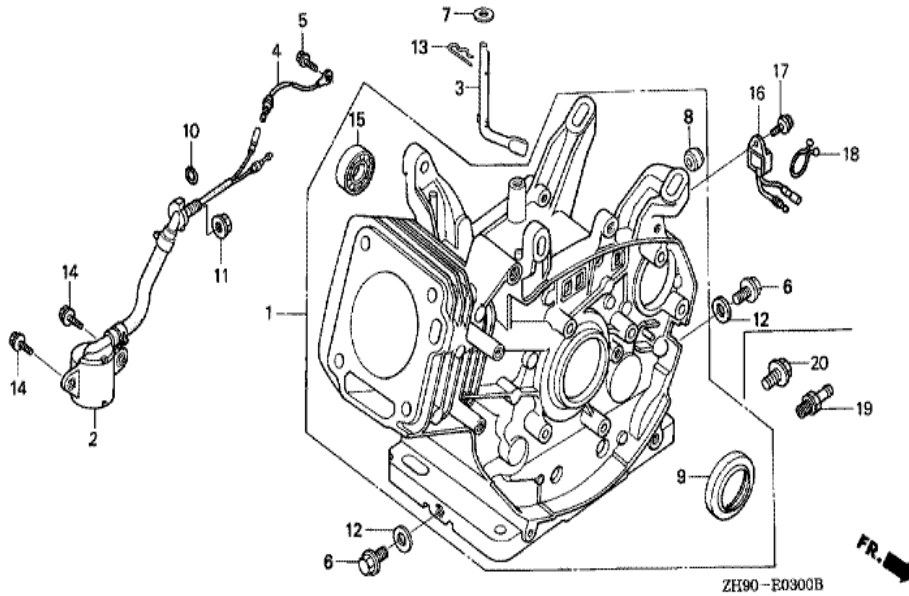
ZH90-E2801

| Ref | Partnumber | Description | GX270 | Serial Numbers |
|-----|---------------|---|-------|----------------|
| 011 | 87565-ZB4-A00 | PLATE, FUEL INDICATION | 1 | |
| 012 | 87561-733-J00 | MARK, EX. GAS WARNING | 1 | |
| 013 | 87106-737-J00 | MARK, FUEL WARNING | 1 | |
| 014 | 87150-ZH8-000 | MARK, CAUTION (JAPANESE) | 1 | |
| 015 | 87539-737-J00 | MARK, HEAT CAUTION | 1 | |
| 017 | 87594-ZB4-A00 | MARK, OIL CAUTION | 1 | |
| 018 | 87135-ZE2-000 | LABEL, E-SPEC (HONDA) (EPA STANDARD) (15) | 1 | 1703189 |

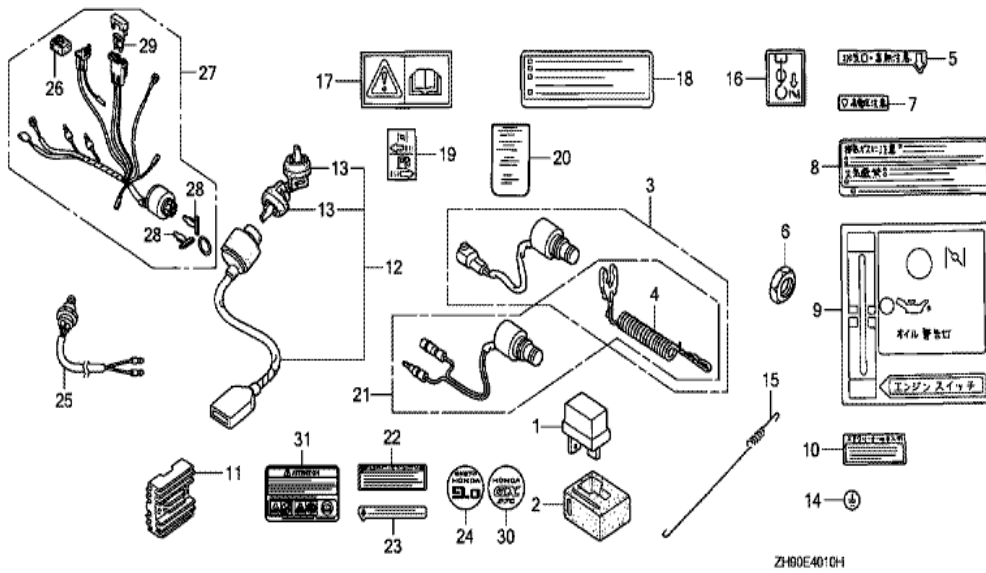


ZH90E2901A

| Ref | Partnumber | Description | GX270 | Serial Numbers |
|-----|-------------|------------------------------|-------|----------------|
| 008 | 99001-10120 | SPANNER, 10X12 | 1 | 1274337 |
| 010 | 99004-21003 | WRENCH, BOX (P21) | 1 | 1274337 |
| 011 | 99008-02000 | BAG, TOOL, 200MM | 1 | 1274337 |
| 013 | 99003-30000 | DRIVER 3, MINUS SCREW (NO.2) | 1 | 1274337 |
| 014 | 99003-50000 | GRIP, SCREW DRIVER | 1 | 1274337 |
| 015 | 99005-01000 | BAR A, HANDLE | 1 | 1274337 |

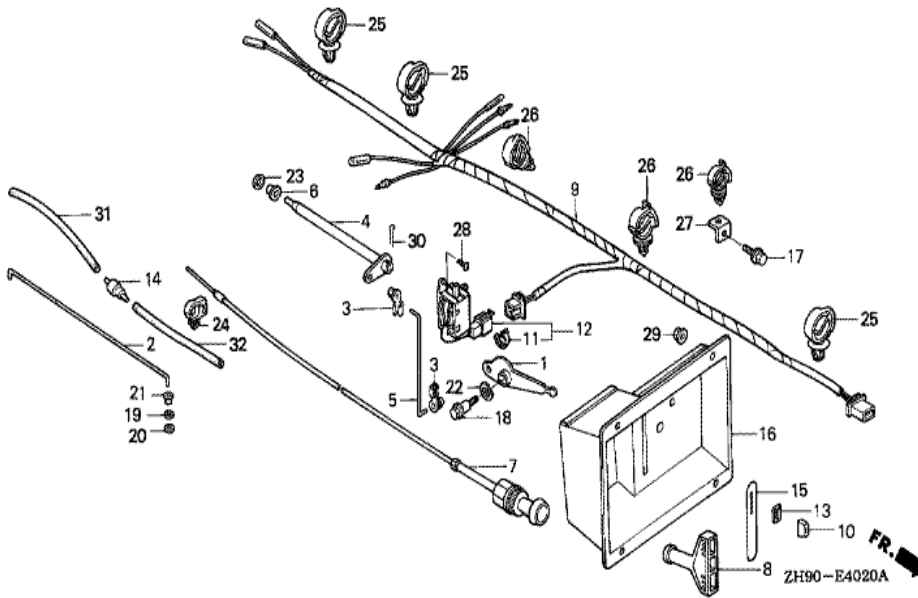


| <u>Ref</u> | <u>Partnumber</u> | <u>Description</u> | <u>GX270</u> | <u>Serial Numbers</u> |
|------------|-------------------|--------------------------------|--------------|-----------------------|
| 001 | 12000-ZH9-801 | BARREL ASSY., CYLINDER (ALERT) | 1 | 1069840 1680278 |
| 001 | 12000-ZH9-802 | BARREL ASSY., CYLINDER (ALERT) | 1 | 1680279 |
| 001 | 120A0-ZH9-800 | BARREL ASSY., CYLINDER (ALERT) | 1 | 1069839 |
| 002 | 15510-ZE2-043 | SWITCH ASSY., OIL LEVEL | 1 | |
| 003 | 16541-ZE2-010 | SHAFT, GOVERNOR ARM | 1 | |
| 004 | 31161-ZE2-000 | CORD, EARTH | 1 | 1225387 |
| 005 | 90013-883-000 | BOLT, FLANGE, 6X12 (CT200) | 1 | 1225387 |
| 006 | 90131-883-000 | BOLT, DRAIN PLUG, 12X15 | 2 | |
| 007 | 90446-KE1-000 | WASHER, 8.2X17X0.8 | 1 | |
| 009 | 91201-890-003 | OIL SEAL, 30X46X8 | 1 | |
| 010 | 91353-671-004 | O-RING, 14MM (NOK) | 1 | |
| 011 | 94050-10000 | NUT, FLANGE, 10MM | 1 | |
| 012 | 94109-12000 | WASHER, DRAIN PLUG, 12MM | 2 | |
| <u>Ref</u> | <u>Partnumber</u> | <u>Description</u> | <u>GX270</u> | <u>Serial Numbers</u> |
| 013 | 94251-08000 | PIN, LOCK, 8MM | 1 | 1116745 |
| 013 | 94251-10000 | PIN, LOCK, 10MM | 1 | 1116746 |
| 014 | 95701-0601200 | BOLT, FLANGE, 6X12 | 2 | |
| 016 | 34150-ZH7-003 | ALERT UNIT, OIL | 1 | 1321603 |
| 017 | 90013-883-000 | BOLT, FLANGE, 6X12 (CT200) | 1 | 1321603 |



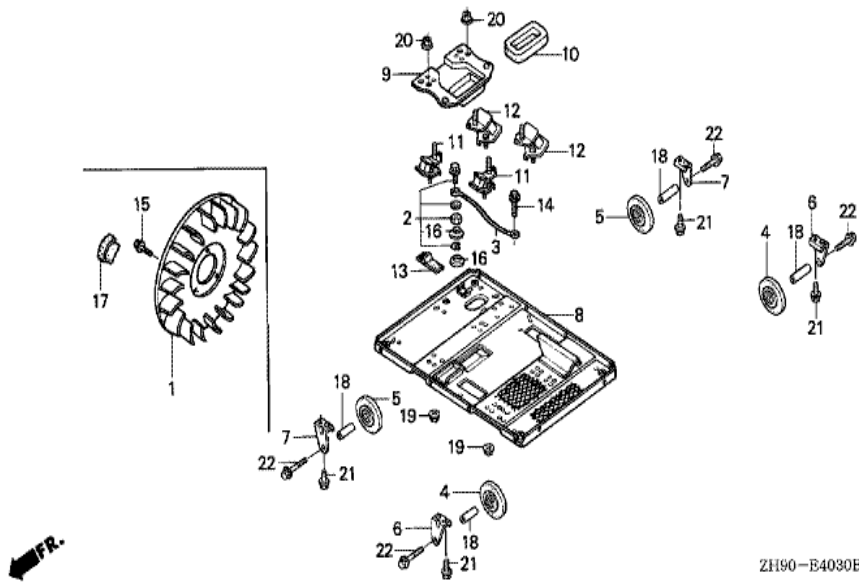
ZH00E401CH

| Ref | Partnumber | Description | GX270 | Serial Numbers |
|-----|---------------|----------------------|-------|----------------|
| 005 | 87539-ZB2-000 | MARK, EX. CAUTION | 1 | |
| 007 | 87511-892-000 | MARK V, CAUTION | 1 | |
| 008 | 87522-892-000 | MARK AB, CAUTION | 1 | |
| 009 | 87528-ZB7-700 | MARK, ENGINE CONTROL | 1 | |
| 010 | 87533-ZB6-000 | MARK, AIR CLEANER | 1 | |
| 014 | 87534-892-640 | MARK, EARTH | 1 | |



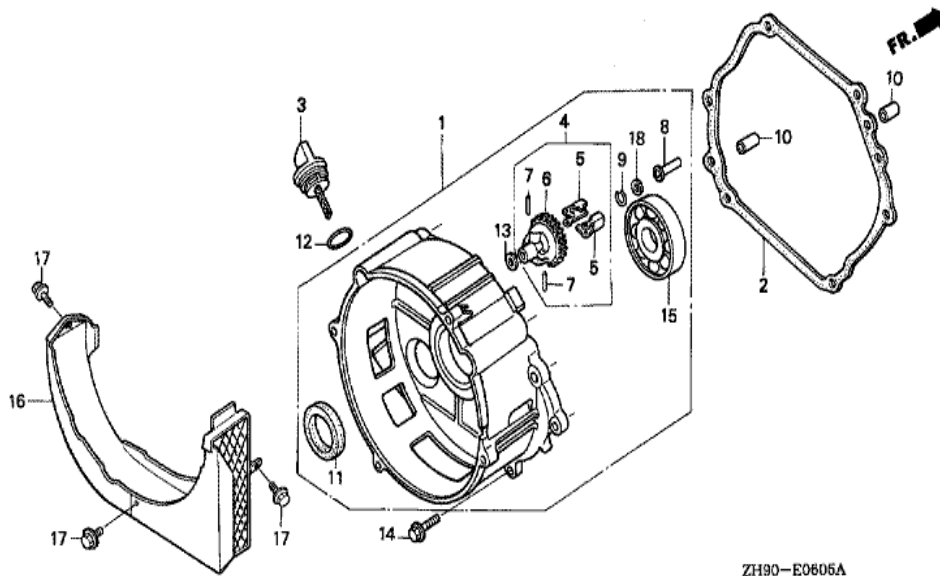
| Ref | Partnumber | Description | GX270 | Serial Numbers |
|-----|---------------|----------------------------|-------|----------------|
| 001 | 16145-ZB7-700 | LEVER COMP., ENGINE SWITCH | 1 | |
| 002 | 16325-ZB7-700 | ROD, GOVERNOR CONTROL PUSH | 1 | |
| 003 | 16956-ZA7-000 | JOINT, ROD | 2 | |
| 004 | 16957-ZB7-700 | ARM COMP., COCK CONTROL | 1 | |
| 005 | 16958-ZB7-700 | ROD, COCK CONTROL | 1 | |
| 006 | 16960-ZB7-700 | BUSH, COCK CONTROL ARM | 1 | |
| 007 | 17950-ZB7-702 | CABLE COMP., CHOKE | 1 | |
| 008 | 28461-889-631 | GRIP, STARTER | 1 | |
| 009 | 32100-ZB7-700 | HARNESS ASSY., SUB WIRE | 1 | |
| 010 | 32343-892-003 | KNOB, COCK LEVER | 1 | |
| 011 | 32902-892-003 | BAND | 1 | |
| 012 | 36100-ZB7-701 | SWITCH ASSY., KILL | 1 | |
| 013 | 36106-892-003 | BUSH, CONTROL KNOB | 1 | |

| <u>Ref</u> | <u>Partnumber</u> | <u>Description</u> | <u>GX270</u> | <u>Serial Numbers</u> |
|------------|-------------------|---------------------------------|--------------|-----------------------|
| 014 | 36135-ZV1-003 | VALVE, DASHPOT CHECK | 1 | |
| 015 | 63117-ZB7-700 | SEAL, ENGINE SWITCH LEVER | 1 | |
| 016 | 63140-ZB7-700ZA | CASE, RECOIL GRIP *R8 * | 1 | |
| 017 | 90013-883-000 | BOLT, FLANGE, 6X12 (CT200) | 1 | |
| 018 | 90045-PD1-000 | BOLT, SPECIAL | 1 | |
| 019 | 90310-ZB7-701 | NUT, PUSH, 2.6 | 1 | |
| 020 | 90433-ZE2-700 | WASHER, THRUST, 2.7X8 | 1 | |
| 021 | 90434-ZB7-700 | COLLAR, PUSH ROD | 1 | |
| 022 | 90511-735-801 | WASHER, WAVE, 10MM | 1 | |
| 023 | 90523-GB6-920 | WASHER, CENTER COVER | 1 | |
| 024 | 90650-SD9-003 | CLIP, WIRE HARNESS | 1 | |
| 025 | 90683-SAO-003 | CLIP, WIRE HARNESS, 25MM | 3 | |
| 026 | 90691-ZB7-003 | CLIP, HARNESS | 3 | |
| 027 | 90700-ZB7-000 | BASE, CORD CLIP | 1 | |
| 028 | 93500-030080A | SCREW, PAN, 3X8 | 2 | |
| 029 | 94050-06000 | NUT, FLANGE, 6MM | 4 | |
| 030 | 94201-20180 | PIN, SPLIT, 2.0X18 | 1 | |
| 031 | 95005-3508510 | TUBE, 3.5X85 (95005-35001-10M) | 1 | |
| 032 | 95005-3517510 | TUBE, 3.5X175 (95005-35001-10M) | 1 | |



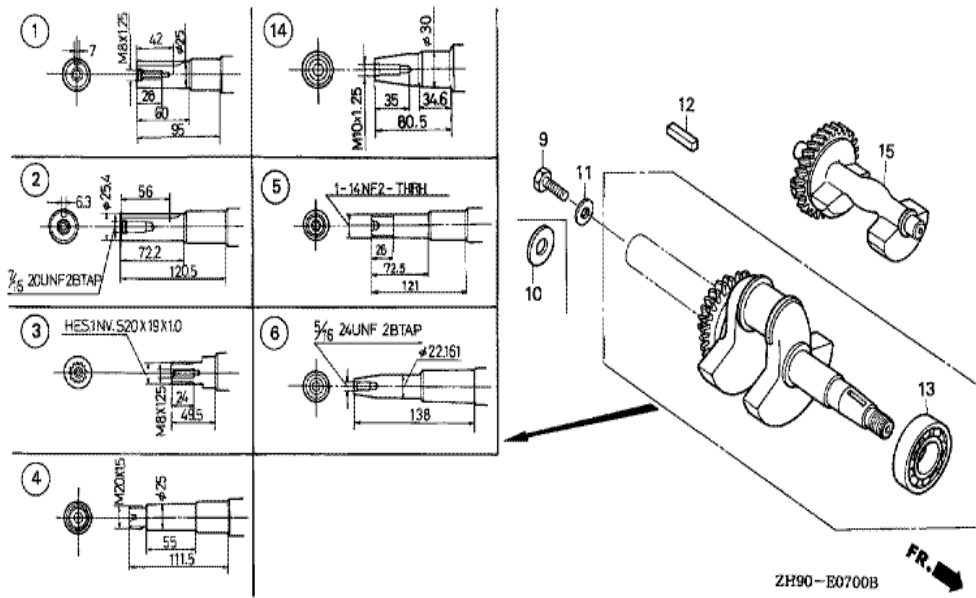
ZH90-E4030B

| <u>Ref</u> | <u>Partnumber</u> | <u>Description</u> | <u>GX270</u> | <u>Serial Numbers</u> |
|------------|-------------------|-----------------------------|--------------|-----------------------|
| 001 | 31112-ZB4-003 | FAN, GENERATOR COOLING | 1 | |
| 002 | 32510-ZB6-003 | TERMINAL ASSY., EARTH | 1 | |
| 003 | 32610-ZB7-000 | CABLE, EARTH | 1 | |
| 004 | 42710-ZB6-003 | WHEEL COMP. (100X33) | 2 | 1833854 |
| 004 | 42710-ZS9-A01 | WHEEL COMP. (100X32) | 2 | 1833855 |
| 005 | 42715-ZB7-003 | WHEEL COMP. (100X33) | 2 | 1833854 |
| 006 | 42721-ZB6-000 | BRACKET, R. WHEEL | 2 | |
| 007 | 42725-ZB6-000 | BRACKET, L. WHEEL | 2 | |
| 008 | 50310-ZB7-000ZD | FRAME COMP., UNDER *NH105 * | 1 | |
| 009 | 68310-ZB7-000 | GUIDE, UNDER AIR | 1 | |
| 010 | 68312-ZB7-000 | SEAL, UNDER AIR GUIDE | 1 | |
| 011 | 68325-ZB4-000 | RUBBER, BOTTOM | 2 | |
| 012 | 68325-899-000 | RUBBER, BOTTOM | 2 | |
| <u>Ref</u> | <u>Partnumber</u> | <u>Description</u> | <u>GX270</u> | <u>Serial Numbers</u> |
| 013 | 89011-192-700 | BAND, TOOL SETTING | 1 | |
| 014 | 90013-883-000 | BOLT, FLANGE, 6X12 (CT200) | 1 | |
| 015 | 90032-875-003 | SCREW, TAPPING, 5X14 | 3 | |
| 016 | 90381-812-710 | NUT, SPECIAL, 6MM | 2 | |
| 017 | 90855-ZB4-000 | GROMMET, CRANKCASE | 1 | |
| 018 | 91554-ZB6-000 | COLLAR, WHEEL SHAFT | 4 | |
| 019 | 94050-08000 | NUT, FLANGE, 8MM | 4 | |
| 020 | 94050-10000 | NUT, FLANGE, 10MM | 4 | |
| 021 | 95701-0801600 | BOLT, FLANGE, 8X16 | 4 | |
| 022 | 95723-0805500 | BOLT, FLANGE, 8X55 | 4 | |

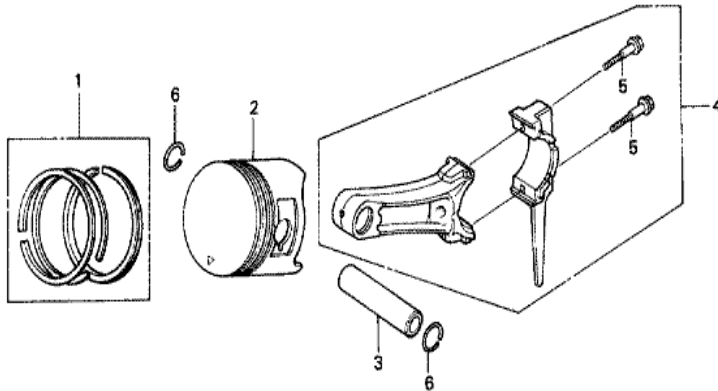


ZH90-E0605A

| Ref | Partnumber | Description | GX270 | Serial Numbers |
|-----|---------------|----------------------------|-------|----------------|
| 001 | 11300-ZE2-700 | COVER ASSY., CRANKCASE | 1 | 1832354 |
| 001 | 11300-ZE2-701 | COVER ASSY., CRANKCASE | 1 | 1832355 |
| 002 | 11381-ZE2-801 | PACKING, CASE COVER | 1 | |
| 003 | 15620-ZE2-700 | CAP, OIL FILLER | 1 | |
| 004 | 16510-ZE2-000 | GOVERNOR ASSY. | 1 | |
| 005 | 16511-ZE2-000 | WEIGHT, GOVERNOR | 2 | |
| 006 | 16512-ZE2-000 | HOLDER, GOVERNOR WEIGHT | 1 | |
| 007 | 16513-ZE2-000 | PIN, GOVERNOR WEIGHT | 2 | |
| 008 | 16531-Z0A-000 | SLIDER, GOVERNOR | 1 | 1832355 |
| 008 | 16531-ZE2-000 | SLIDER, GOVERNOR | 1 | 1832354 |
| 009 | 90602-ZE1-000 | CLIP, GOVERNOR HOLDER | 1 | |
| 010 | 90701-HC4-000 | DOWEL PIN, 8X12 | 2 | |
| 011 | 91201-890-003 | OIL SEAL, 30X46X8 | 1 | |
| Ref | Partnumber | Description | GX270 | Serial Numbers |
| 012 | 91301-805-000 | O-RING, 26X2.7 | 1 | |
| 013 | 94101-06800 | WASHER, PLAIN, 6MM | 1 | |
| 014 | 95701-0803500 | BOLT, FLANGE, 8X35 | 7 | |
| 015 | 96100-6206000 | BEARING, RADIAL BALL, 6206 | 1 | |
| 018 | 90473-147-000 | WASHER, 6X16 | 1 | 1832355 |



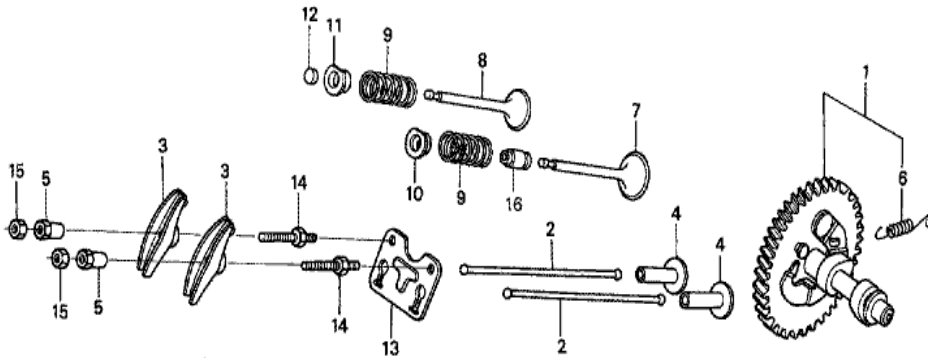
| Ref | Partnumber | Description | GX270 | Serial Numbers |
|-----|---------------|--------------------------------|-------|----------------|
| 013 | 91001-ZH9-003 | BEARING, RADIAL BALL (6206 SH) | 1 | |
| 014 | 13310-ZH9-700 | CRANKSHAFT COMP. | 1 | |



ZH90-E0800A



| <u>Ref</u> | <u>Partnumber</u> | <u>Description</u> | <u>GX270</u> | <u>Serial Numbers</u> |
|------------|-------------------|---|--------------|-----------------------|
| 001 | 13010-ZE8-601 | RING SET, PISTON (STD.) (NIPPON) | 1 | |
| 001 | 13010-ZE8-602 | RING SET, PISTON (STD.) (TEIKOKU) | 1 | |
| 001 | 13011-ZE8-601 | RING SET, PISTON (0.25) (NIPPON) | (1) | |
| 001 | 13011-ZE8-602 | RING SET, PISTON (0.25) (TEIKOKU) | (1) | |
| 001 | 13012-ZE8-601 | RING SET, PISTON (0.50) (NIPPON) | (1) | |
| 001 | 13012-ZE8-602 | RING SET, PISTON (0.50) (TEIKOKU) | (1) | |
| 001 | 13013-ZE8-601 | RING SET, PISTON (0.75) (NIPPON) | (1) | |
| 001 | 13013-ZE8-602 | RING SET, PISTON (0.75) (TEIKOKU) | (1) | |
| 002 | 13101-ZH9-000 | PISTON (STD.) | 1 | |
| 002 | 13102-ZH9-000 | PISTON (0.25) | (1) | |
| 002 | 13103-ZH9-000 | PISTON (0.50) | (1) | |
| 002 | 13104-ZH9-000 | PISTON (0.75) | (1) | |
| 003 | 13111-ZE2-000 | PIN, PISTON | 1 | |
| <u>Ref</u> | <u>Partnumber</u> | <u>Description</u> | <u>GX270</u> | <u>Serial Numbers</u> |
| 004 | 13200-ZE2-010 | ROD ASSY., CONNECTING (STD.) | 1 | |
| 004 | 13200-ZE2-305 | ROD ASSY., CONNECTING (0.25 UNDER SIZE) | (1) | |
| 005 | 90001-ZE8-000 | BOLT, CONNECTING ROD | 2 | |
| 006 | 90551-ZE1-000 | CLIP, PISTON PIN, 18MM | 2 | |



ZH90-E0900A



| Ref | Partnumber | Description | GX270 | Serial Numbers |
|-----|---------------|----------------------------|-------|----------------|
| 001 | 14100-ZH9-000 | CAMSHAFT ASSY. | 1 | 1268284 |
| 001 | 14100-ZH9-010 | CAMSHAFT ASSY. | 1 | 1268285 |
| 002 | 14410-ZE2-013 | ROD, PUSH | 2 | |
| 003 | 14431-ZE2-010 | ARM, VALVE ROCKER | 2 | |
| 004 | 14441-ZE2-000 | LIFTER, VALVE | 2 | |
| 005 | 14451-ZE1-013 | PIVOT, ROCKER ARM | 2 | |
| 006 | 14568-ZE1-000 | SPRING, WEIGHT RETURN | 1 | |
| 007 | 14711-ZE2-000 | VALVE, IN. | 1 | |
| 008 | 14721-ZE2-000 | VALVE, EX. | 1 | |
| 009 | 14751-ZE2-003 | SPRING, VALVE | 2 | |
| 010 | 14771-ZE2-000 | RETAINER, IN. VALVE SPRING | 1 | |
| 011 | 14773-ZE2-000 | RETAINER, EX. VALVE SPRING | 1 | |
| 012 | 14781-ZE2-000 | ROTATOR, VALVE | 1 | |
| Ref | Partnumber | Description | GX270 | Serial Numbers |
| 013 | 14791-ZE2-010 | GUIDE, PUSH ROD | 1 | |
| 014 | 90012-ZE0-010 | BOLT, PIVOT, 8MM | 2 | |
| 015 | 90206-ZE1-000 | NUT, PIVOT ADJUSTING | 2 | |
| 016 | 12209-ZE8-003 | SEAL, VALVE STEM | 1 | 1703119 |