



Z3E0-E1000

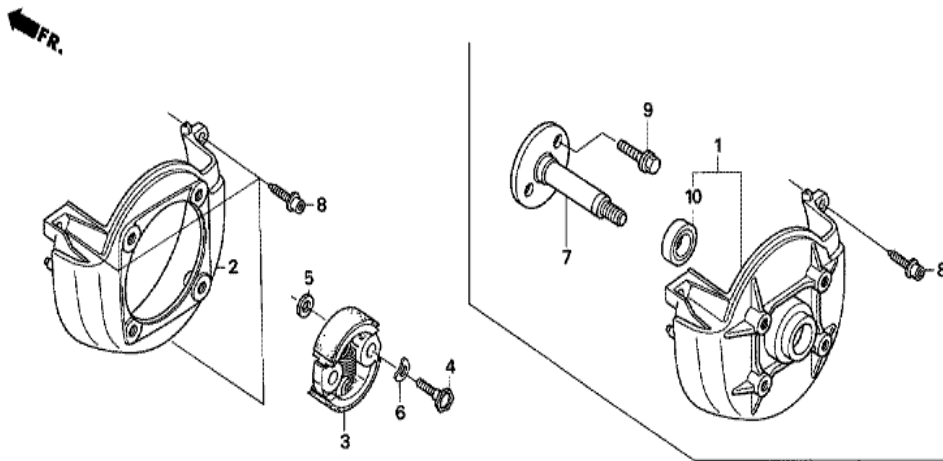


<u>Ref</u>	<u>Partnumber</u>	<u>Description</u>	<u>GX25T</u>	<u>Serial Numbers</u>
001	12209-Z3E-000	SEAL, VALVE STEM	1	1037065
001	12209-Z3E-003	SEAL, VALVE STEM	1	1037066
002	14126-Z0H-003	ROLLER, 4X29.8	1	
003	14320-Z0H-010	PULLEY COMP., CAMSHAFT	1	
004	14400-Z0H-003	BELT, TIMING (71ZU6 G-300)	1	1037065
004	14400-Z3E-003	BELT, TIMING (71ZU6 G-300)	1	1037066 2131334
004	14400-Z3E-003	BELT, TIMING (71ZU6 G-300)	1	1037066 2131334
004	14400-Z3E-013	BELT, TIMING (71ZU5 G-310)	1	2131335
005	14711-Z0H-800	VALVE, IN. (HI)	1	
005	14711-Z3E-000	VALVE, IN. (EI)	1	
006	14721-Z0H-800	VALVE, EX. (HE)	1	
006	14721-Z3E-000	VALVE, EX. (EE)	1	
007	14751-Z0H-000	SPRING, VALVE	2	
<u>Ref</u>	<u>Partnumber</u>	<u>Description</u>	<u>GX25T</u>	<u>Serial Numbers</u>
008	14771-Z0H-000	RETAINER, VALVE SPRING	2	



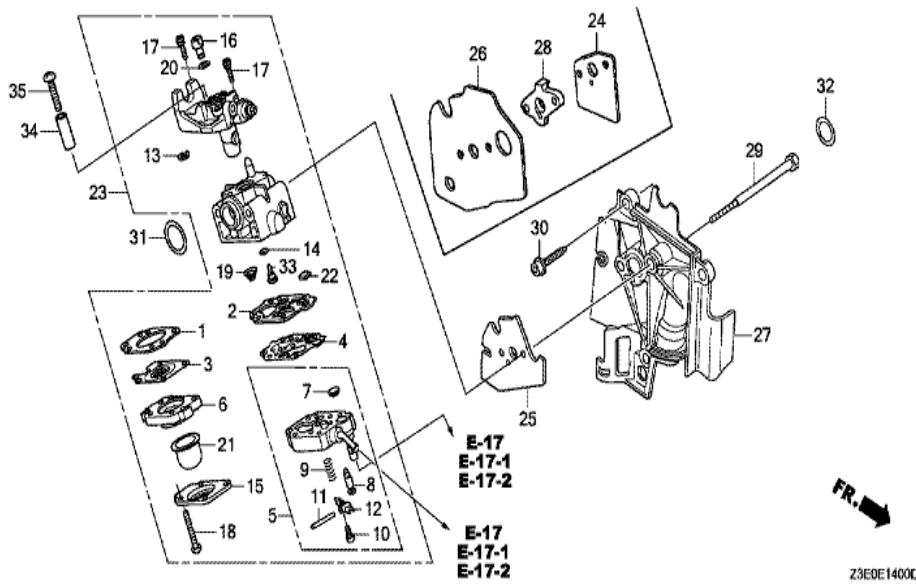
Z3E0-E1100

Ref	Partnumber	Description	GX25T	Serial Numbers
001	28400-ZOH-003	STARTER ASSY., RECOIL	1	
002	28414-ZOH-003	CASE, RECOIL STARTER	1	
004	28421-ZOH-003	REEL, RECOIL STARTER	1	
005	28433-ZM3-003	GUIDE, ROPE	1	
006	28442-ZOH-003	SPRING, RECOIL STARTER	1	
007	28451-ZOH-003	PULLEY, RECOIL STARTER	1	
008	28459-ZOH-003	ARM, SWING	1	
009	28461-ZM3-003	KNOB, RECOIL STARTER	1	
010	28462-ZM3-003	ROPE, RECOIL STARTER	1	
011	90012-ZM3-003	SCREW, SETTING	1	
012	90018-ZOH-003	BOLT, SOCKET, 5X16	3	
014	91504-ZM3-003	COLLAR	1	
015	91506-ZM3-000	COLLAR A, HEAD COVER	3	



Z3E0-E1200

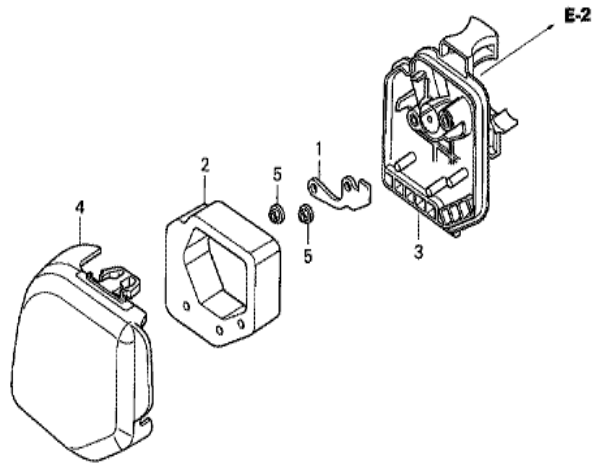
Ref	Partnumber	Description	GX25T	Serial Numbers
001	19610-Z0H-801	COVER COMP., FAN	1	
007	40210-Z0H-800	SHAFT COMP., P.T.O.	1	
008	90009-Z0H-003	BOLT, SOCKET, 5X20	3	
009	96001-0602200	BOLT, FLANGE, 6X22	2	
010	96150-6001010	BEARING, RADIAL BALL, 6001UU	1	



Z3E0E1400D

Ref	Partnumber	Description	GX25T	Serial Numbers
001	16010-ZM3-004	GASKET, METERING DIAPHRAGM	1	
002	16011-Z0H-013	GASKET, PUMP	1	
003	16013-Z0H-003	DIAPHRAGM ASSY., METERING	1	
004	16014-ZM3-004	DIAPHRAGM, PUMP	1	
005	16015-Z0H-013	BODY ASSY., PUMP	1	
006	16017-ZM3-004	BODY ASSY., AIR PURGE	1	
007	16018-ZM3-802	SCREEN, INLET	1	
008	16019-ZM3-004	VALVE, INLET NEEDLE	1	
009	16020-ZM3-004	SPRING, METERING LEVER	1	
010	16021-ZM3-004	SCREW, METERING LEVER PIN	1	
011	16022-ZM3-014	PIN, METERING LEVER	1	
012	16023-ZM3-004	LEVER, METERING	1	
013	16024-Z0H-003	RING, RETAINING	1	

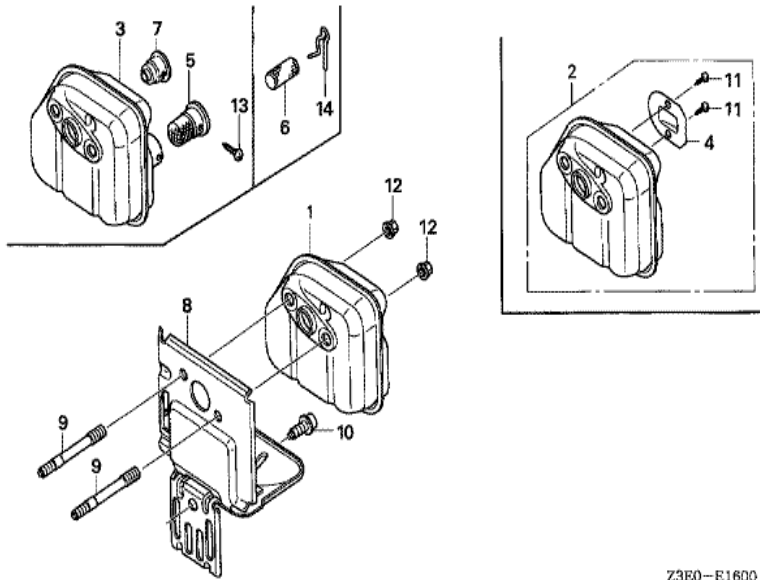
<u>Ref</u>	<u>Partnumber</u>	<u>Description</u>	<u>GX25T</u>	<u>Serial Numbers</u>
014	16025-ZM3-004	O-RING	1	
015	16026-ZM3-004	COVER, PRIMER PUMP	1	
016	16027-ZM3-004	SWIVEL	1	
017	16028-ZM3-004	SCREW, THROTTLE COLLAR	2	
018	16029-ZM3-004	SCREW, PUMP COVER	4	
019	16030-ZM3-004	SPRING, PUMP	1	
020	16031-ZM3-004	WASHER	1	
021	16032-ZM3-004	PUMP, PRIMER	1	
022	16035-ZM3-802	FILTER, FUEL INLET	1	
023	16100-ZOH-833	CARBURETOR ASSY. (WYB 10A)	1	1662361
023	16100-ZOH-834	CARBURETOR ASSY. (WYB 10B/C)	1	1662362
024	16221-ZM3-000	PACKING, CARBURETOR	1	
026	16222-ZOH-800	PACKING, SHROUD	1	
027	19631-ZOH-000	SHROUD	1	
028	19632-ZOH-800	SPACER, SHROUD	1	
029	90014-ZOH-801	BOLT, 5X59	2	
030	90018-ZOH-003	BOLT, SOCKET, 5X16	3	
031	91301-ZM3-000	O-RING, 14.8X2.4	1	
032	91308-Z3E-000	O-RING, 12.3X2.4	1	
033	99101-ZOH0320	JET (#32)	(1)	
033	99101-ZM50330	JET (#33)	(1)	
033	99101-ZM50340	JET (#34)	1	



Z3E0-E1500

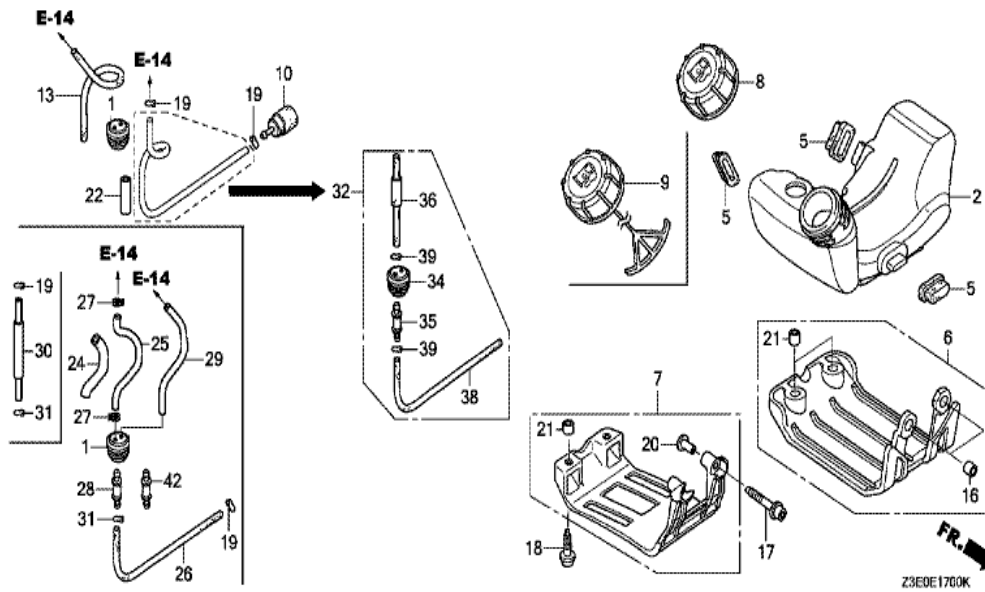


Ref	Partnumber	Description	GX25T	Serial Numbers
001	17204-Z0H-000	PLATE, OIL TRAP	1	
002	17211-Z0H-000	ELEMENT, AIR CLEANER	1	
003	17220-Z0H-000	CASE COMP., AIR CLEANER	1	1326918
003	17220-Z0H-010	CASE COMP., AIR CLEANER	1	1326919
003	17220-Z0H-020	CASE COMP., AIR CLEANER	1	2455344
004	17231-Z0H-000	COVER, AIR CLEANER	1	
005	94050-05000	NUT, FLANGE, 5MM	2	



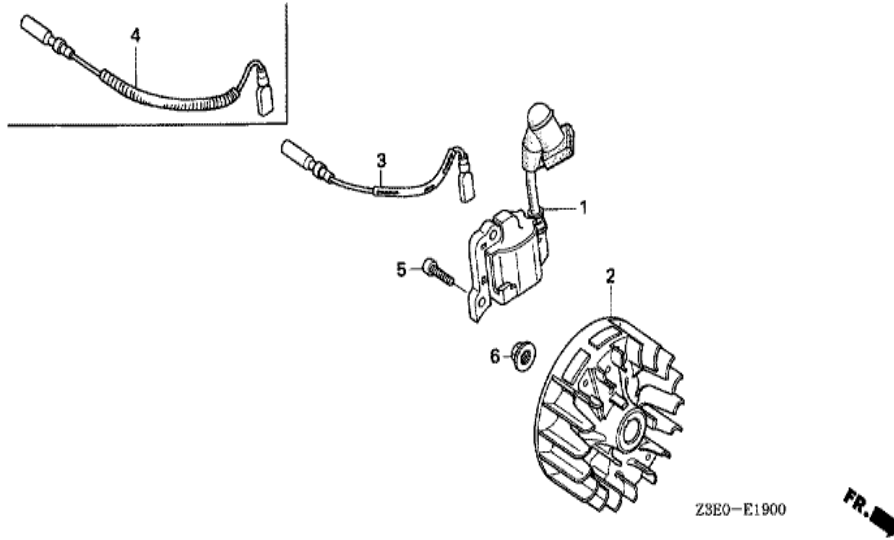
Z3E0-E1600

Ref	Partnumber	Description	GX25T	Serial Numbers
001	18310-Z0H-000	MUFFLER COMP.	1	2473616
001	18310-Z0H-010	MUFFLER COMP.	1	2473617
002	18310-Z0H-800	MUFFLER COMP.	(1)	2455343
002	18310-Z0H-800	MUFFLER COMP.	(1)	2455343
002	18310-Z0H-801	MUFFLER COMP.	(1)	2455344
004	18350-Z0H-800	ARRESTER COMP., SPARK	(1)	
008	18515-Z0H-000	GUIDE, AIR EX.	1	
009	90001-Z0H-003	BOLT, STUD, 5X52	2	
010	90011-Z0H-003	BOLT, SOCKET, 5X10 (CT)	1	
011	90055-ZE1-000	SCREW, TAPPING, 4X6	(2)	
012	90136-SM4-901	NUT, SELF-LOCK, 5MM	2	

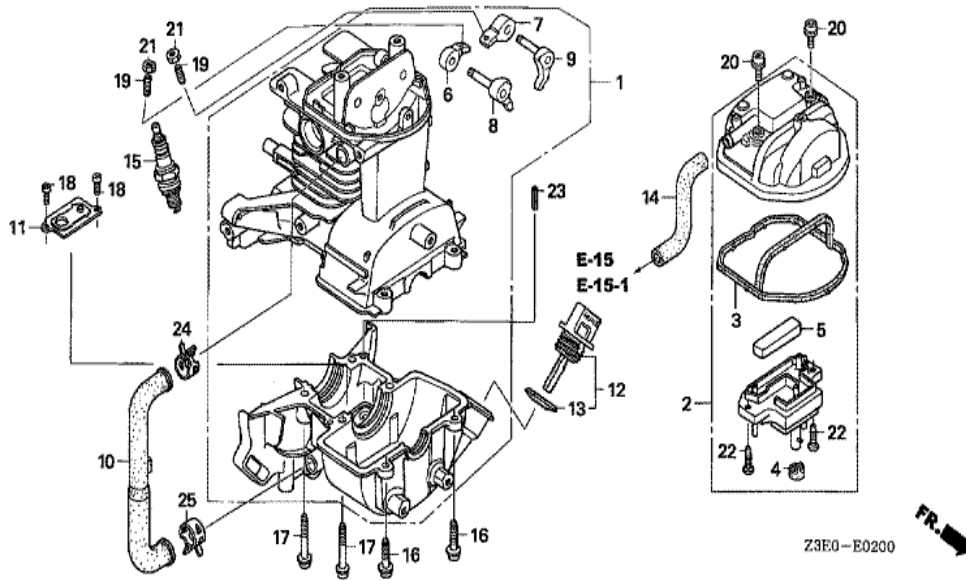


Ref	Partnumber	Description	GX25T	Serial Numbers
002	17511-Z0H-023	TANK, FUEL	1	
005	17533-Z0H-000	RUBBER, TANK MOUNTING	3	
008	17620-ZM3-053	CAP ASSY., FUEL TANK	1	
008	17620-ZM3-063	CAP ASSY., FUEL TANK	1	
010	17672-Z0H-003	FILTER, FUEL	1	
013	17702-Z0H-003	TUBE, FUEL RETURN	1	2308814
022	16865-Z6J-000	PROTECTOR, TUBE	1	2308814
028	17519-ZM5-003	FITTING	1	2308815
032	17700-Z0H-305	GROMMET ASSY., FUEL TANK	1	2308814
034	17504-ZM3-003	GROMMET, FUEL TUBE	(1)	2308814
034	17504-ZM3-003	GROMMET, FUEL TUBE	(1)	2308814
036	17701-Z0H-800	TUBE COMP., FUEL FEED	(1)	2308814
036	17701-Z0H-800	TUBE COMP., FUEL FEED	(1)	2308814
Ref	Partnumber	Description	GX25T	Serial Numbers
038	17703-Z0H-J71	TUBE A, FUEL	(1)	2308814
038	17703-Z0H-J71	TUBE A, FUEL	(1)	2308814
039	91401-ZM3-003	CLIP, TUBE	(2)	2308814
039	91401-ZM3-003	CLIP, TUBE	(2)	2308814





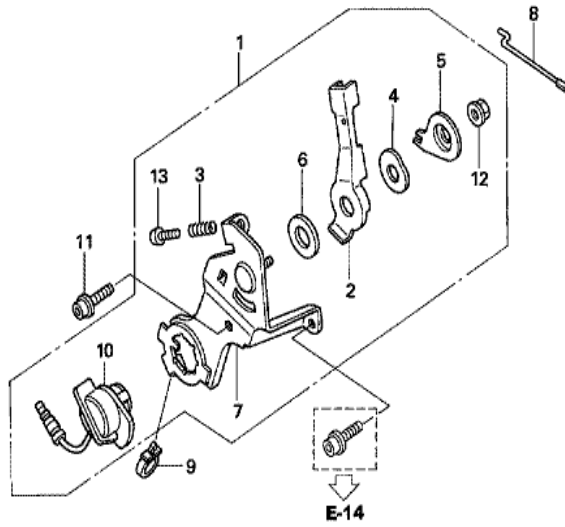
Ref	Partnumber	Description	GX25T	Serial Numbers
001	30500-Z3E-004	COIL ASSY., IGNITION	1	3016145
001	30500-Z3E-013	COIL ASSY., IGNITION	1	3016144
002	31110-Z3E-811	FLYWHEEL COMP.	1	3016144
002	31110-Z3E-812	FLYWHEEL COMP.	1	3016145
004	32195-Z0H-800	CORD, STOP SWITCH	1	
005	90012-Z0H-005	BOLT, SOCKET, 4X14	2	1037065
005	90012-Z3E-003	BOLT, SOCKET, 4X14	2	1037066
006	90355-427-770	NUT, FLANGE, 7MM	1	



Z3E0-E0200



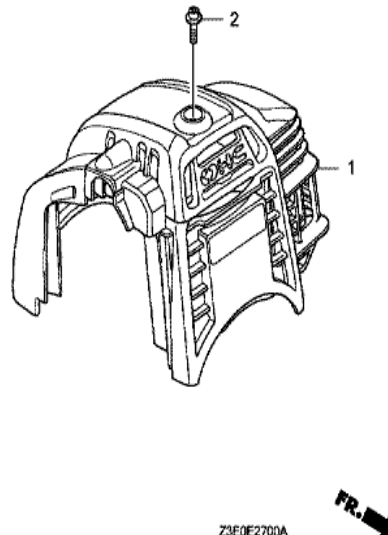
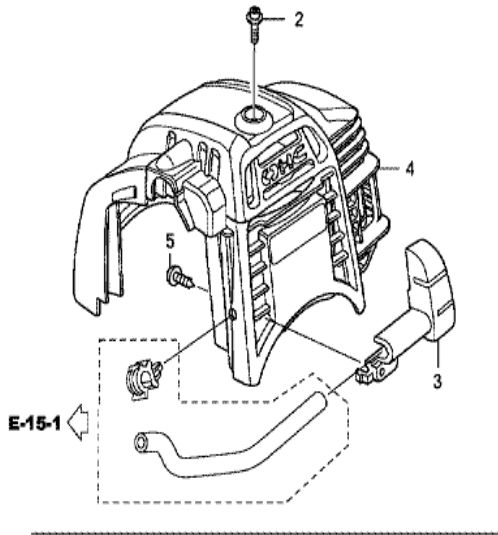
Ref	Partnumber	Description	GX25T	Serial Numbers
001	10100-Z3E-405	CRANKCASE SET	1	
002	12310-Z0H-010	COVER, CYLINDER HEAD	1	
003	12312-Z0H-300	SEAL, HEAD COVER	1	
004	12314-Z0H-300	GROMMET, HEAD COVER	1	
005	12367-Z0H-000	FILTER, BREATHER	1	
006	14431-Z0H-003	ARM, IN. VALVE ROCKER	1	
007	14441-Z0H-003	ARM, EX. VALVE ROCKER	1	
008	14730-Z0H-000	LIFTER COMP., IN. VALVE	1	
009	14740-Z0H-000	LIFTER COMP., EX. VALVE	1	
010	15422-Z0H-000	TUBE, OIL	1	
011	15510-Z3E-000	PLATE ASSY., OIL OUTLET VALVE	1	
012	15600-Z0T-800	CAP ASSY., OIL FILLER	1	
013	15625-Z0T-800	PACKING, OIL FILLER CAP	1	
Ref	Partnumber	Description	GX25T	Serial Numbers
014	15721-Z0H-800	TUBE, BREATHER	1	
015	31914-Z0H-801	PLUG, SPARK (CM4H) (NGK)	(1)	
015	31915-Z0H-801	PLUG, SPARK (CM5H) (NGK)	1	
015	31916-Z0H-801	PLUG, SPARK (CM6H) (NGK)	(1)	
016	90009-Z0H-003	BOLT, SOCKET, 5X20	2	
017	90010-Z0H-003	BOLT, SOCKET, 5X30	4	
018	90013-Z0H-004	SCREW, PAN, 4X8	2	1037065
018	90013-Z3E-003	SCREW, PAN, 4X8	2	1037066
019	90017-Z0H-000	SCREW, TAPPET ADJUSTING	2	
020	90019-Z0H-003	BOLT, SOCKET, 5X12	2	
021	90206-ZM3-000	NUT, TAPPET ADJUSTING	2	
022	93901-34320	SCREW, TAPPING, 4X12	2	
023	94305-40102	PIN, SPRING, 4X10	1	
024	95002-4120008	CLAMP, TUBE (D12)	1	
025	95002-4130004	CLAMP, TUBE (D13)	1	



Z3E0-E2200

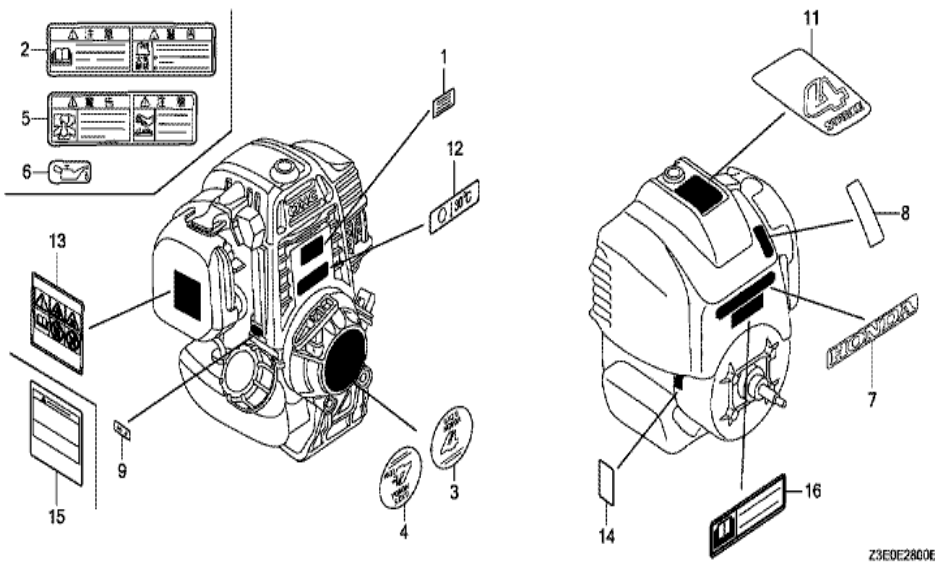
FR. →

Ref	Partnumber	Description	GX25T	Serial Numbers
001	16500-Z0H-801	CONTROL ASSY.	1	
002	16571-Z0H-800	LEVER, CONTROL	1	
003	16571-892-000	SPRING, CONTROL ADJUSTING	1	
004	16574-ZE1-000	SPRING, LEVER	1	
005	16575-ZH8-000	WASHER, CONTROL LEVER	1	
006	16578-ZE1-000	SPACER, CONTROL LEVER	1	
007	16580-Z0H-800	BASE COMP., CONTROL	1	
008	17841-Z0H-800	ROD, THROTTLE	1	
009	30701-883-000	CLIP, HIGH TENSION CORD (8MM)	1	
010	35120-Z0D-V81	SWITCH ASSY., ENGINE STOP	1	
011	90011-Z0H-801	BOLT, SOCKET, 5X10	1	
012	90114-SA0-000	NUT, SELF-LOCK, 6MM	1	
013	93500-050250A	SCREW, PAN, 5X25	1	



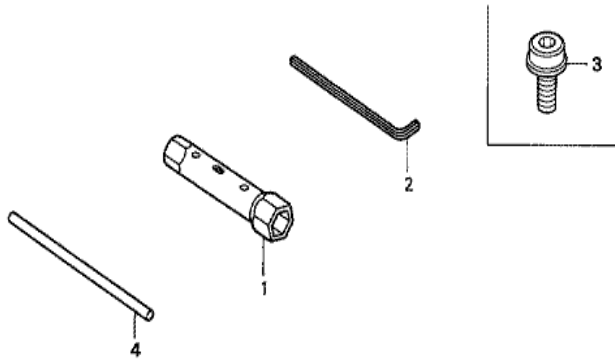
Z3E0E2700A

Ref	Partnumber	Description	GX25T	Serial Numbers
001	19720-Z0H-000ZB	COVER COMP., TOP *R280 *	1	
002	90015-Z0H-003	BOLT, TOP COVER	1	



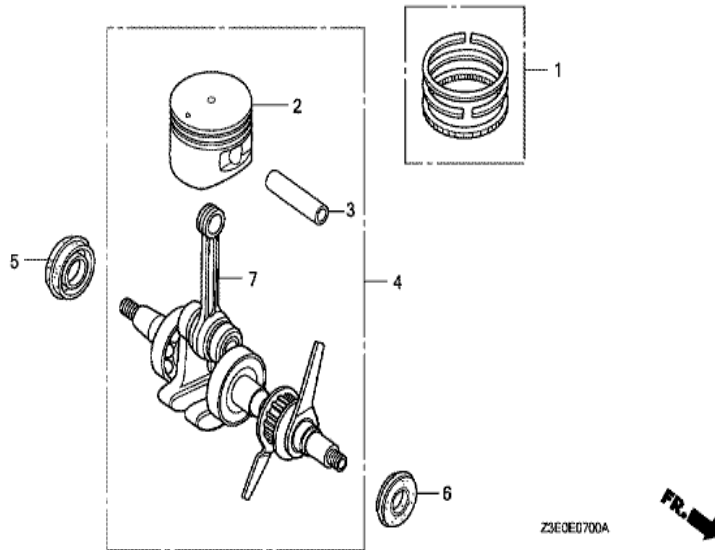
Z3E0E2800E

Ref	Partnumber	Description	GX25T	Serial Numbers
001	87114-ZH7-000	LABEL, WARNING (NOT CERTIFIED FOR SALE)	1	
002	87520-ZH8-000	MARK A, COMBINATION (JAPANESE)	(1)	
003	87521-Z3E-000	MARK, EMBLEM	1	1236700
003	87521-Z3E-010	MARK, EMBLEM	1	1236701
005	87526-ZH8-000	MARK B, COMBINATION (JAPANESE)	(1)	
006	87531-YE9-000	MARK, OIL CAUTION	(1)	
008	87532-ZM3-G00	MARK, THROTTLE INDICATION	1	
009	87601-ZOH-700	MARK, TYPE (WJ)	1	
011	87660-ZOH-000	MARK (4-STROKE)	1	



Z3E0-E2900

Ref	Partnumber	Description	GX25T	Serial Numbers
001	89216-VJ3-J10	WRENCH, PLUG (16X19)	(1)	
002	89221-KW3-000	WRENCH, HEX., 4MM	(1)	
004	99005-01000	BAR A, HANDLE	(1)	



<u>Ref</u>	<u>Partnumber</u>	<u>Description</u>	<u>GX25T</u>	<u>Serial Numbers</u>
001	13010-Z0H-000	RING SET, PISTON	1	
002	13101-Z0H-000	PISTON	1	1033070
002	13101-Z0H-010	PISTON	1	2571731
002	13101-Z3E-000	PISTON (STD.)	1	2571732
003	13111-Z0H-000	PIN, PISTON	1	
004	13310-Z0H-801	CRANKSHAFT COMP.	1	
004	13310-Z0H-802	CRANKSHAFT COMP.	1	2571731
004	13310-Z3E-800	CRANKSHAFT COMP.	1	2571732
005	91211-Z3E-000	OIL SEAL, 12X24X5	1	1037065
005	91211-Z3E-003	OIL SEAL, 12X24X5	1	1037066
006	91212-Z3E-000	OIL SEAL, 10X20X5	1	1037065
006	91212-Z3E-003	OIL SEAL, 10X20X5	1	1037066
007	13310-Z0H-306	CRANKSHAFT COMP.	(1)	2571731
<u>Ref</u>	<u>Partnumber</u>	<u>Description</u>	<u>GX25T</u>	<u>Serial Numbers</u>
007	13310-Z3E-306	CRANKSHAFT COMP.	(1)	2571732