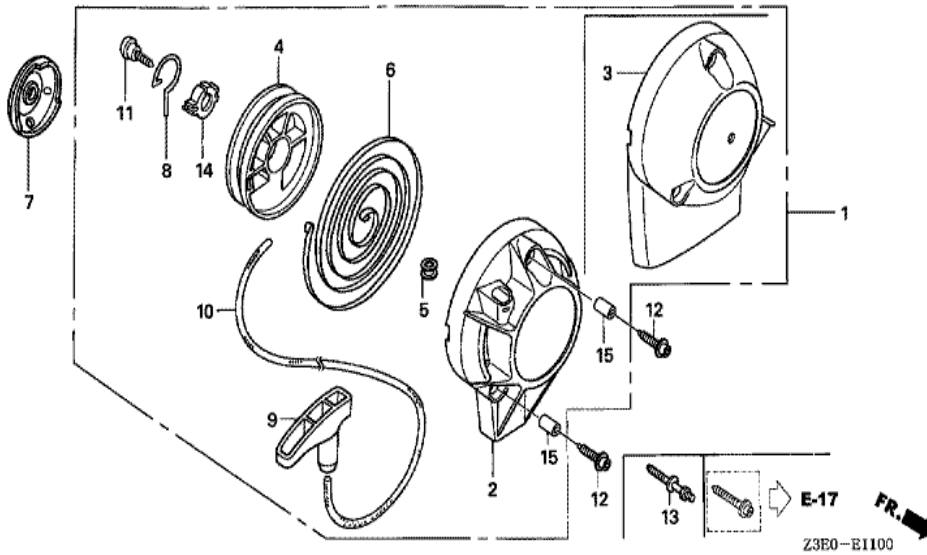


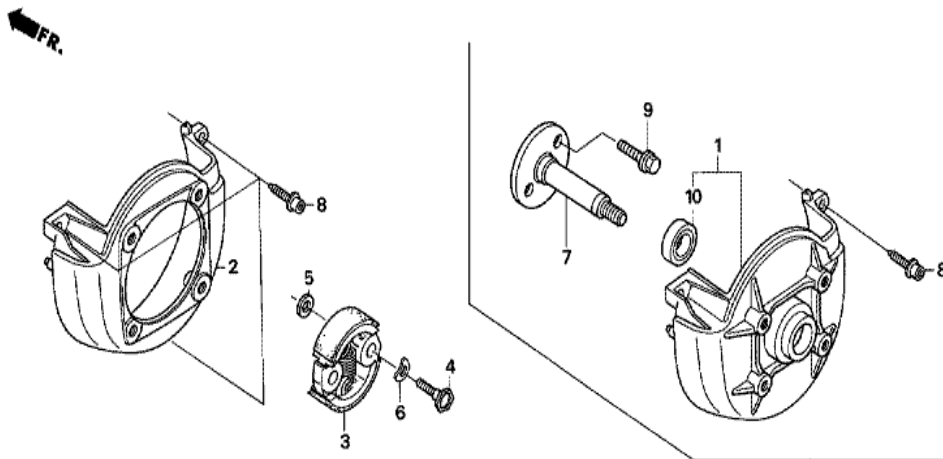
Z3E0-E1000



| Ref | Partnumber    | Description                | GX25T | Serial Numbers |
|-----|---------------|----------------------------|-------|----------------|
| 001 | 12209-Z3E-003 | SEAL, VALVE STEM           | 1     |                |
| 002 | 14126-Z0H-003 | ROLLER, 4X29.8             | 1     |                |
| 003 | 14320-Z0H-010 | PULLEY COMP., CAMSHAFT     | 1     |                |
| 004 | 14400-Z3E-013 | BELT, TIMING (71ZU5 G-310) | 1     |                |
| 005 | 14711-Z0H-800 | VALVE, IN. (HI)            | 1     |                |
| 005 | 14711-Z3E-000 | VALVE, IN. (EI)            | 1     |                |
| 006 | 14721-Z0H-800 | VALVE, EX. (HE)            | 1     |                |
| 006 | 14721-Z3E-000 | VALVE, EX. (EE)            | 1     |                |
| 007 | 14751-Z0H-000 | SPRING, VALVE              | 2     |                |
| 008 | 14771-Z3F-000 | RETAINER, VALVE SPRING     | 2     |                |

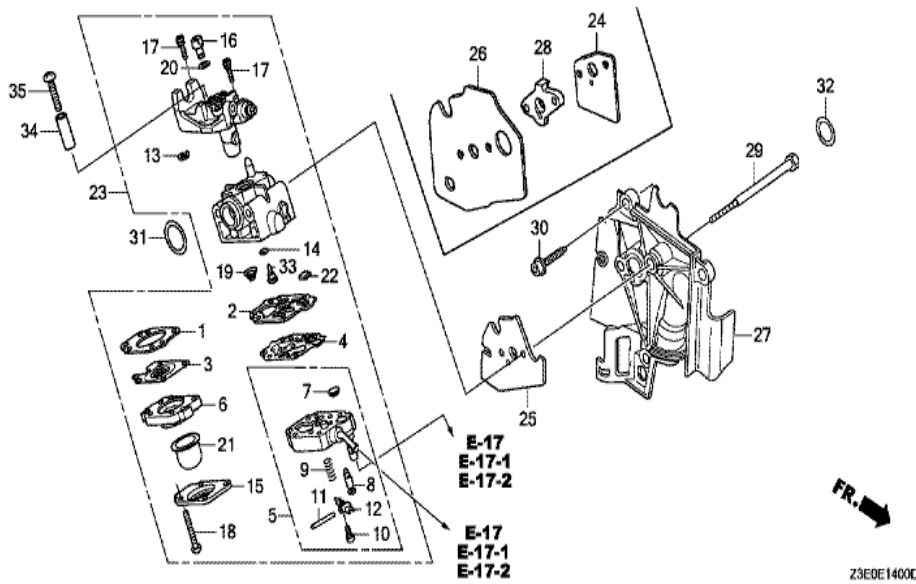


| Ref | Partnumber    | Description            | GX25T | Serial Numbers |
|-----|---------------|------------------------|-------|----------------|
| 001 | 28400-Z3E-M01 | STARTER ASSY., RECOIL  | 1     |                |
| 002 | 28414-Z0H-003 | CASE, RECOIL STARTER   | 1     |                |
| 004 | 28421-Z0H-003 | REEL, RECOIL STARTER   | 1     |                |
| 005 | 28433-ZM3-003 | GUIDE, ROPE            | 1     |                |
| 006 | 28442-Z0H-003 | SPRING, RECOIL STARTER | 1     |                |
| 007 | 28451-Z0H-003 | PULLEY, RECOIL STARTER | 1     |                |
| 008 | 28459-Z0H-003 | ARM, SWING             | 1     |                |
| 009 | 28461-Z3F-M01 | KNOB, RECOIL STARTER   | 1     |                |
| 010 | 28462-ZM3-003 | ROPE, RECOIL STARTER   | 1     |                |
| 011 | 90012-ZM3-003 | SCREW, SETTING         | 1     |                |
| 012 | 90018-Z3E-901 | BOLT, SOCKET, 5X16     | 1     |                |
| 014 | 91504-ZM3-003 | COLLAR                 | 1     |                |
| 015 | 91506-ZM3-000 | COLLAR A, HEAD COVER   | 3     |                |



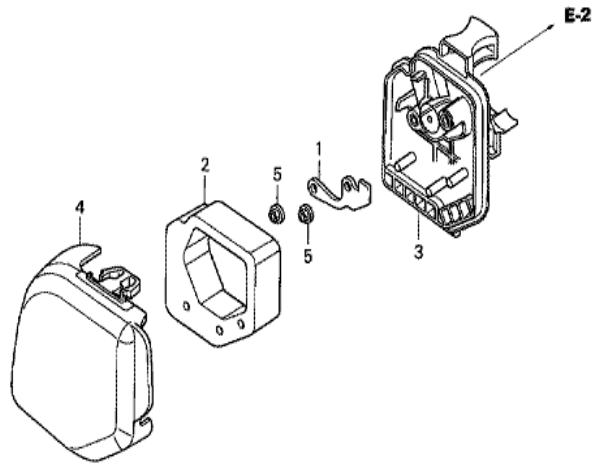
Z3E0-E1200

| Ref | Partnumber    | Description           | GX25T | Serial Numbers |
|-----|---------------|-----------------------|-------|----------------|
| 002 | 19611-ZOH-000 | COVER, FAN            | 1     |                |
| 003 | 22000-ZM3-003 | CLUTCH ASSY.          | 1     |                |
| 004 | 22253-Z3E-000 | BOLT, CLUTCH (6MM)    | 2     |                |
| 005 | 22254-Z3E-000 | WASHER, CLUTCH (6X15) | 2     |                |
| 006 | 22255-Z3E-000 | WASHER, WAVE (8MM)    | 2     |                |
| 008 | 90009-Z3E-901 | BOLT, SOCKET, 5X20    | 3     |                |



| Ref | Partnumber    | Description                | GX25T | Serial Numbers |
|-----|---------------|----------------------------|-------|----------------|
| 001 | 16010-ZM3-004 | GASKET, METERING DIAPHRAGM | 1     |                |
| 002 | 16011-ZOH-013 | GASKET, PUMP               | 1     |                |
| 003 | 16013-ZOH-003 | DIAPHRAGM ASSY., METERING  | 1     |                |
| 004 | 16014-ZM3-004 | DIAPHRAGM, PUMP            | 1     |                |
| 005 | 16015-Z3F-J42 | BODY ASSY., PUMP           | 1     |                |
| 006 | 16017-ZM3-004 | BODY ASSY., AIR PURGE      | 1     |                |
| 007 | 16018-ZM3-802 | SCREEN, INLET              | 1     |                |
| 008 | 16019-ZM3-004 | VALVE, INLET NEEDLE        | 1     |                |
| 009 | 16020-ZM3-004 | SPRING, METERING LEVER     | 1     |                |
| 010 | 16021-Z3F-J42 | SCREW, METERING LEVER PIN  | 1     |                |
| 011 | 16022-ZM3-014 | PIN, METERING LEVER        | 1     |                |
| 012 | 16023-ZM3-004 | LEVER, METERING            | 1     |                |
| 013 | 16024-ZOH-003 | RING, RETAINING            | 1     |                |

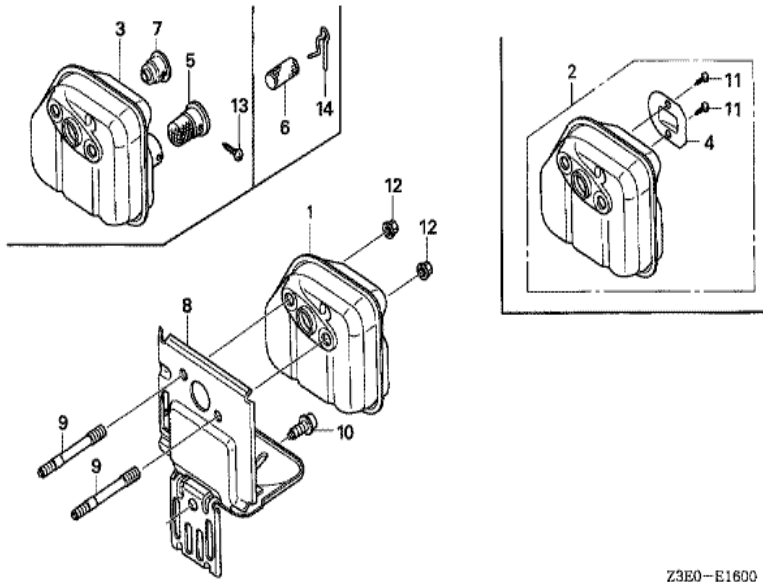
| <u>Ref</u> | <u>Partnumber</u> | <u>Description</u>         | <u>GX25T</u> | <u>Serial Numbers</u> |
|------------|-------------------|----------------------------|--------------|-----------------------|
| 014        | 16025-ZM3-004     | O-RING                     | 1            |                       |
| 015        | 16026-ZM3-004     | COVER, PRIMER PUMP         | 1            |                       |
| 016        | 16027-ZM3-004     | SWIVEL                     | 1            |                       |
| 017        | 16028-ZM3-004     | SCREW, THROTTLE COLLAR     | 2            |                       |
| 018        | 16029-ZM3-004     | SCREW, PUMP COVER          | 4            |                       |
| 019        | 16030-ZM3-004     | SPRING, PUMP               | 1            |                       |
| 020        | 16031-ZM3-004     | WASHER                     | 1            |                       |
| 021        | 16032-ZM3-004     | PUMP, PRIMER               | 1            |                       |
| 022        | 16035-ZM3-802     | FILTER, FUEL INLET         | 1            |                       |
| 023        | 16100-Z3E-D02     | CARBURETOR ASSY. (WYB 32A) | 1            |                       |
| 025        | 16221-Z0H-000     | PACKING, CARBURETOR        | 1            |                       |
| 027        | 19631-Z0H-010     | SHROUD                     | 1            |                       |
| 029        | 90014-Z0H-003     | BOLT, 5X53                 | 2            |                       |
| 030        | 90018-Z3E-901     | BOLT, SOCKET, 5X16         | 3            |                       |
| 031        | 91301-ZM3-000     | O-RING, 14.8X2.4           | 1            |                       |
| 032        | 91308-Z3E-000     | O-RING, 12.3X2.4           | 1            |                       |
| 033        | 99101-ZM50330     | JET (#33)                  | (1)          |                       |
| 033        | 99101-ZM50340     | JET (#34)                  | (1)          |                       |
| 033        | 99101-ZM50350     | JET (#35)                  | 1            |                       |



Z3E0-E1500

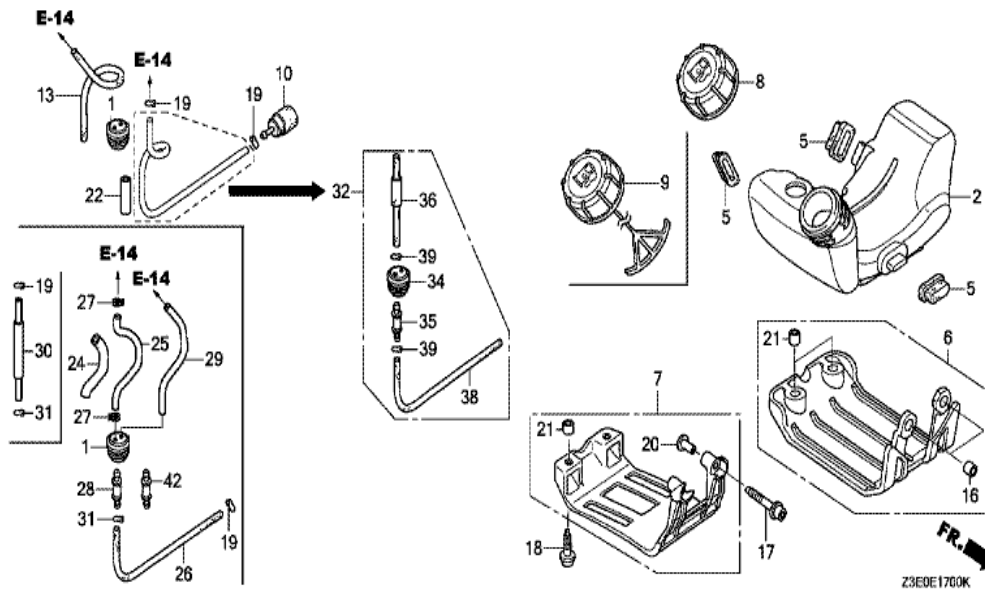


| <u>Ref</u> | <u>Partnumber</u> | <u>Description</u>      | <u>GX25T</u> | <u>Serial Numbers</u> |
|------------|-------------------|-------------------------|--------------|-----------------------|
| 001        | 17204-ZOH-000     | PLATE, OIL TRAP         | 1            |                       |
| 002        | 17211-ZOH-000     | ELEMENT, AIR CLEANER    | 1            |                       |
| 003        | 17220-ZOH-020     | CASE COMP., AIR CLEANER | 1            |                       |
| 004        | 17231-ZOH-010     | COVER, AIR CLEANER      | 1            |                       |
| 005        | 94050-05000       | NUT, FLANGE, 5MM        | 2            |                       |



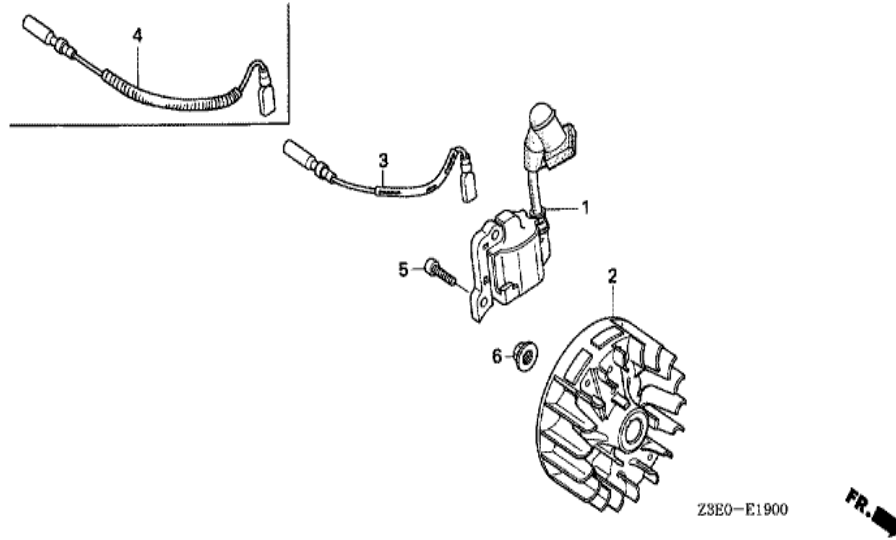
Z3E0-E1600

| Ref | Partnumber    | Description         | GX25T | Serial Numbers |
|-----|---------------|---------------------|-------|----------------|
| 001 | 18310-Z0H-010 | MUFFLER COMP.       | 1     |                |
| 008 | 18515-Z0H-000 | GUIDE, AIR EX.      | 1     |                |
| 009 | 90001-Z0H-003 | BOLT, STUD, 5X52    | 2     |                |
| 010 | 90011-Z3E-901 | BOLT, SOCKET, 5X10  | 1     |                |
| 012 | 90136-SM4-901 | NUT, SELF-LOCK, 5MM | 2     |                |

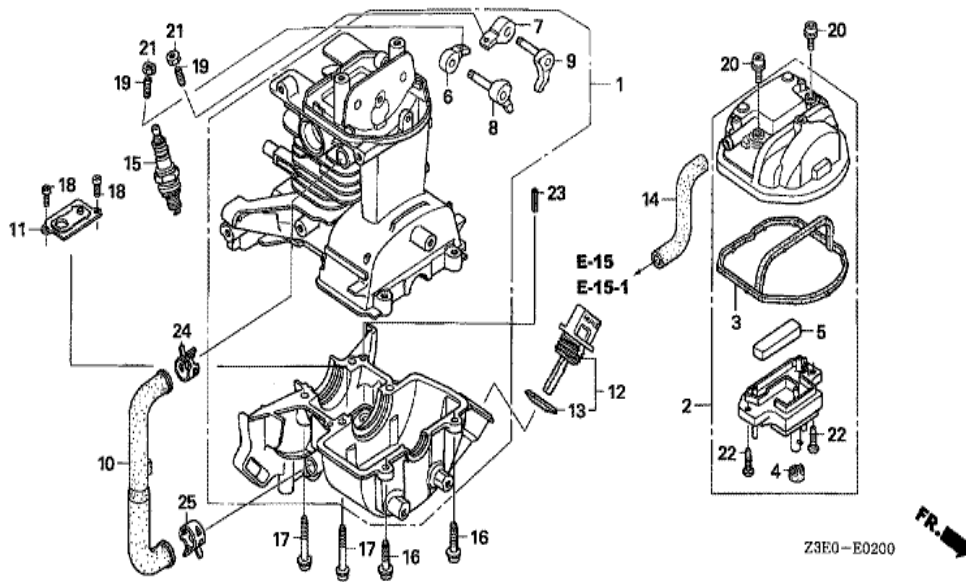


| <u>Ref</u> | <u>Partnumber</u> | <u>Description</u>    | <u>GX25T</u> | <u>Serial Numbers</u> |
|------------|-------------------|-----------------------|--------------|-----------------------|
| 001        | 17504-ZM3-003     | GROMMET, FUEL TUBE    | 1            |                       |
| 002        | 17511-ZOH-023     | TANK, FUEL            | 1            |                       |
| 005        | 17533-ZOH-000     | RUBBER, TANK MOUNTING | 3            |                       |
| 007        | 17555-ZOH-010     | GUARD, TANK           | 1            |                       |
| 009        | 17620-ZM3-817     | CAP ASSY., FUEL TANK  | 1            |                       |
| 010        | 17672-ZOH-003     | FILTER, FUEL          | 1            |                       |
| 017        | 90010-Z3E-901     | BOLT, SOCKET, 5X30    | 2            |                       |
| 018        | 90018-Z3E-901     | BOLT, SOCKET, 5X16    | 2            |                       |
| 019        | 91401-Z3E-000     | CLIP, TUBE (B1 5)     | 2            |                       |
| 020        | 91501-ZOH-000     | COLLAR, TANK GUARD    | 2            |                       |
| 021        | 91506-ZM3-000     | COLLAR A, HEAD COVER  | 2            |                       |
| 024        | 16865-Z6J-010     | PROTECTOR, TUBE       | 1            |                       |
| 025        | 17701-ZOH-801     | TUBE, FUEL FEED       | 1            |                       |
| <u>Ref</u> | <u>Partnumber</u> | <u>Description</u>    | <u>GX25T</u> | <u>Serial Numbers</u> |
| 026        | 17703-ZOH-J71     | TUBE A, FUEL          | 1            |                       |
| 028        | 17519-ZM5-003     | FITTING               | 1            |                       |
| 029        | 17702-Z3E-D11     | TUBE, FUEL RETURN     | 1            |                       |
| 031        | 91401-Z3E-000     | CLIP, TUBE (B1 5)     | 2            |                       |
| 042        | 17519-ZM5-003     | FITTING               | 1            |                       |





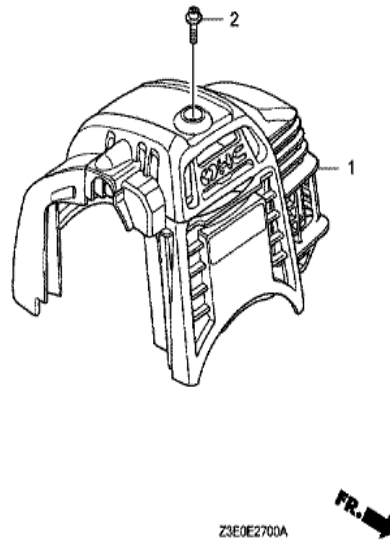
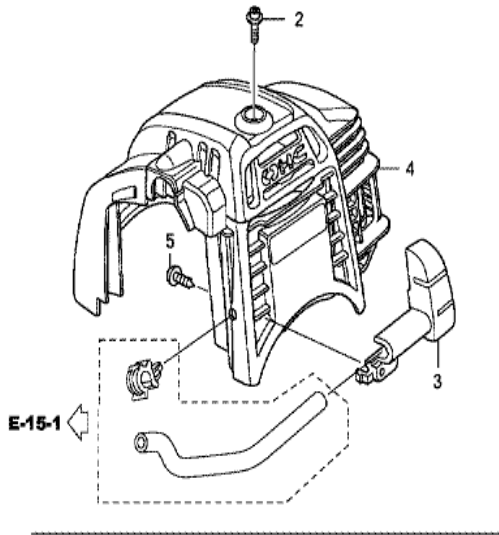
| Ref | Partnumber    | Description          | GX25T | Serial Numbers |
|-----|---------------|----------------------|-------|----------------|
| 001 | 30500-Z3E-004 | COIL ASSY., IGNITION | 1     |                |
| 002 | 31110-Z3E-004 | FLYWHEEL COMP.       | 1     |                |
| 003 | 32195-Z0H-000 | CORD, STOP SWITCH    | 1     |                |
| 005 | 90012-Z3E-003 | BOLT, SOCKET, 4X14   | 2     |                |
| 006 | 90355-427-770 | NUT, FLANGE, 7MM     | 1     |                |



Z3E0-E0200

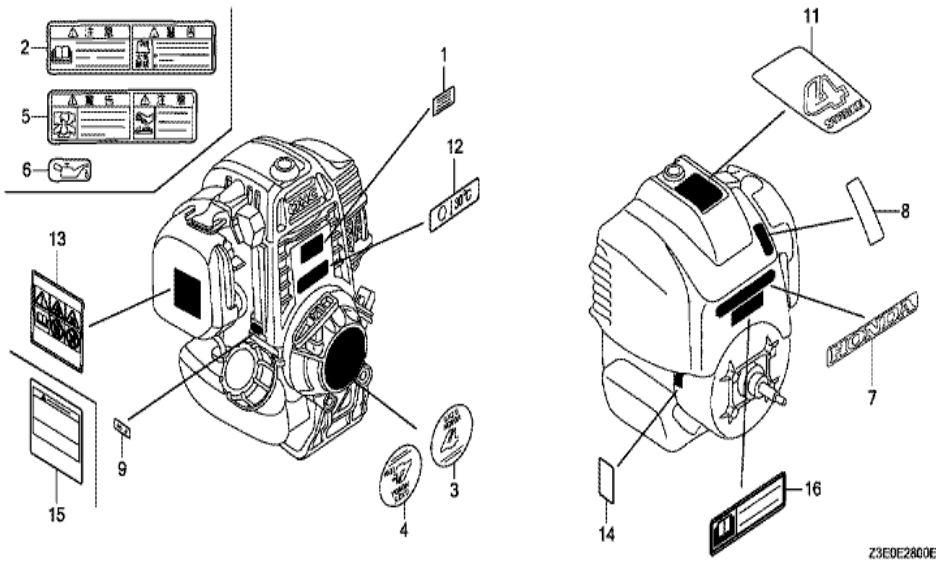


| <u>Ref</u> | <u>Partnumber</u> | <u>Description</u>            | <u>GX25T</u> | <u>Serial Numbers</u> |
|------------|-------------------|-------------------------------|--------------|-----------------------|
| 001        | 10100-Z3E-405     | CRANKCASE SET                 | 1            |                       |
| 002        | 12310-Z0H-010     | COVER, CYLINDER HEAD          | 1            |                       |
| 003        | 12312-Z0H-300     | SEAL, HEAD COVER              | 1            |                       |
| 004        | 12314-Z0H-300     | GROMMET, HEAD COVER           | 1            |                       |
| 005        | 12367-Z0H-000     | FILTER, BREATHER              | 1            |                       |
| 006        | 14431-Z0H-003     | ARM, IN. VALVE ROCKER         | 1            |                       |
| 007        | 14441-Z0H-003     | ARM, EX. VALVE ROCKER         | 1            |                       |
| 008        | 14730-Z0H-000     | LIFTER COMP., IN. VALVE       | 1            |                       |
| 009        | 14740-Z0H-000     | LIFTER COMP., EX. VALVE       | 1            |                       |
| 010        | 15422-Z0H-000     | TUBE, OIL                     | 1            |                       |
| 011        | 15510-Z3E-000     | PLATE ASSY., OIL OUTLET VALVE | 1            |                       |
| 012        | 15600-Z0T-800     | CAP ASSY., OIL FILLER         | 1            |                       |
| 013        | 15625-Z0T-800     | PACKING, OIL FILLER CAP       | 1            |                       |
| <u>Ref</u> | <u>Partnumber</u> | <u>Description</u>            | <u>GX25T</u> | <u>Serial Numbers</u> |
| 014        | 15721-Z0H-000     | TUBE, BREATHER                | 1            |                       |
| 015        | 31914-Z0H-003     | PLUG, SPARK (CMR4H) (NGK)     | (1)          |                       |
| 015        | 31915-Z0H-003     | PLUG, SPARK (CMR5H) (NGK)     | 1            |                       |
| 015        | 31916-Z0H-003     | PLUG, SPARK (CMR6H) (NGK)     | (1)          |                       |
| 016        | 90009-Z3E-901     | BOLT, SOCKET, 5X20            | 2            |                       |
| 017        | 90010-Z0H-003     | BOLT, SOCKET, 5X30            | 4            |                       |
| 018        | 90013-Z3E-003     | SCREW, PAN, 4X8               | 2            |                       |
| 019        | 90017-Z0H-000     | SCREW, TAPPET ADJUSTING       | 2            |                       |
| 020        | 90019-Z0H-003     | BOLT, SOCKET, 5X12            | 2            |                       |
| 021        | 90206-ZM3-000     | NUT, TAPPET ADJUSTING         | 2            |                       |
| 022        | 93901-34320       | SCREW, TAPPING, 4X12          | 2            |                       |
| 023        | 94305-40102       | PIN, SPRING, 4X10             | 1            |                       |
| 024        | 95002-4120008     | CLAMP, TUBE (D12)             | 1            |                       |
| 025        | 95002-4130004     | CLAMP, TUBE (D13)             | 1            |                       |



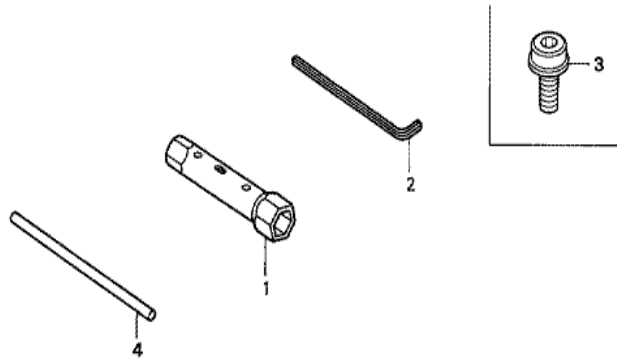
Z3E0E2700A

| Ref | Partnumber      | Description              | GX25T | Serial Numbers |
|-----|-----------------|--------------------------|-------|----------------|
| 001 | 19720-Z0H-000ZB | COVER COMP., TOP *R280 * | 1     |                |
| 002 | 90015-Z3E-900   | BOLT, TOP COVER          | 1     |                |



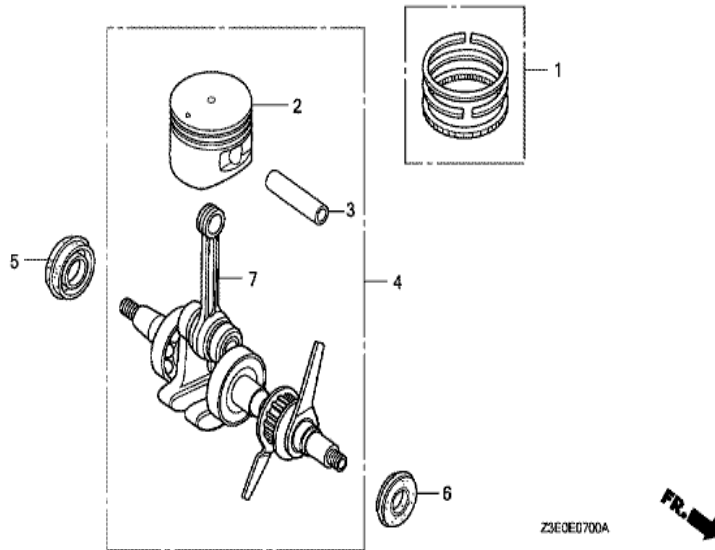
Z3E0E2800E

| Ref | Partnumber    | Description                             | GX25T | Serial Numbers |
|-----|---------------|---|-------|----------------|
| 001 | 87114-ZH7-000 | LABEL, WARNING (NOT CERTIFIED FOR SALE) | 1     |                |
| 003 | 87521-Z3E-010 | MARK, EMBLEM                            | 1     |                |
| 007 | 87531-Z0H-000 | MARK, HONDA                             | 1     |                |
| 009 | 87601-Z3E-U20 | MARK, TYPE (SBT)                        | 1     |                |
| 011 | 87660-Z0H-000 | MARK (4-STROKE)                         | 1     |                |
| 013 | 87519-Z6J-000 | MARK, OPERATOR CAUTION (PICTOGRAPH)     | 1     |                |



Z3E0-E2900

| Ref | Partnumber    | Description          | GX25T | Serial Numbers |
|-----|---------------|----------------------|-------|----------------|
| 001 | 89216-VJ3-J10 | WRENCH, PLUG (16X19) | (1)   |                |
| 002 | 89221-KW3-000 | WRENCH, HEX., 4MM    | (1)   |                |
| 003 | 90011-Z0H-811 | BOLT, SOCKET, 5X9    | (1)   |                |
| 004 | 99005-01000   | BAR A, HANDLE        | (1)   |                |



| Ref | Partnumber    | Description            | GX25T | Serial Numbers |
|-----|---------------|------------------------|-------|----------------|
| 001 | 13010-Z0H-000 | RING SET, PISTON       | 1     |                |
| 001 | 13010-Z3E-003 | RING SET, PISTON (TPR) | 1     |                |
| 002 | 13101-Z3E-000 | PISTON (STD.)          | 1     |                |
| 003 | 13111-Z0H-000 | PIN, PISTON            | 1     |                |
| 004 | 13310-Z3E-000 | CRANKSHAFT COMP.       | 1     |                |
| 005 | 91211-Z3E-003 | OIL SEAL, 12X24X5      | 1     |                |
| 006 | 91212-Z3E-003 | OIL SEAL, 10X20X5      | 1     |                |
| 007 | 13310-Z3E-305 | CRANKSHAFT COMP.       | (1)   |                |