



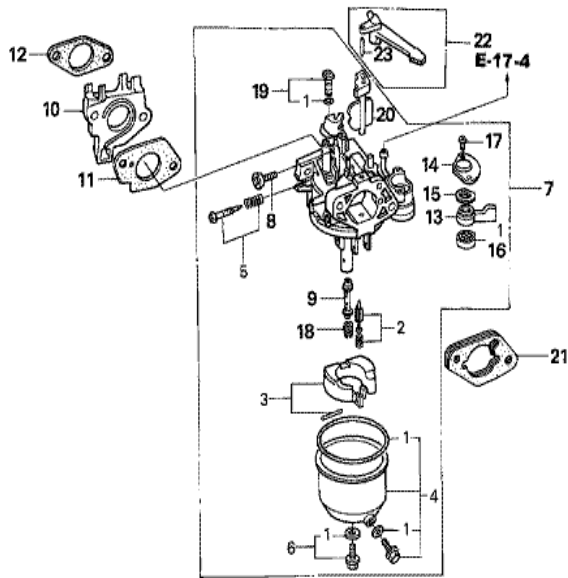
ZK20-E1100A



| <u>Ref</u> | <u>Partnumber</u> | <u>Description</u>               | <u>GX240K1</u> | <u>Serial Numbers</u> |
|------------|-------------------|----------------------------------|----------------|-----------------------|
| 001        | 28400-ZE2-W01ZA   | STARTER ASSY., RECOIL *R8 *      | 1              |                       |
| 002        | 28410-ZE2-W01ZA   | CASE COMP., RECOIL STARTER *R8 * | 1              |                       |
| 003        | 28421-ZE2-W01     | PULLEY, RECOIL STARTER           | 1              |                       |
| 004        | 28422-ZE2-W01     | RATCHET, STARTER                 | 2              |                       |
| 005        | 28441-ZE2-W01     | SPRING, FRICTION                 | 1              |                       |
| 006        | 28442-ZE2-W01     | SPRING, STARTER RETURN           | 1              |                       |
| 007        | 28443-ZE2-W01     | SPRING, RATCHET                  | 2              |                       |
| 008        | 28444-ZE2-W01     | RETAINER, SPRING                 | 1              |                       |
| 010        | 28461-ZE2-W02     | GRIP, STARTER                    | 1              | 4914022               |
| 011        | 28462-ZE2-W01     | ROPE, RECOIL STARTER             | 1              | 3793540               |
| 011        | 28462-ZE2-W01     | ROPE, RECOIL STARTER             | 1              | 3793540               |
| 011        | 28462-ZE2-W11     | ROPE, RECOIL STARTER             | 1              |                       |
| 011        | 28462-ZE2-W11     | ROPE, RECOIL STARTER             | 1              | 3793541               |
| <u>Ref</u> | <u>Partnumber</u> | <u>Description</u>               | <u>GX240K1</u> | <u>Serial Numbers</u> |
| 012        | 28469-ZE2-W01     | REINFORCEMENT, GRIP              | 1              |                       |
| 012        | 28469-ZE2-W01     | REINFORCEMENT, GRIP              | 1              | 3793540               |
| 013        | 90004-ZE2-W01     | SCREW, CENTER                    | 1              |                       |
| 014        | 95701-0600800     | BOLT, FLANGE, 6X8                | 3              |                       |
| 014        | 95701-0600800     | BOLT, FLANGE, 6X8                | 3              |                       |



| Ref | Partnumber      | Description                | GX240K1 | Serial Numbers |
|-----|-----------------|----------------------------|---------|----------------|
| 002 | 16731-ZE2-003   | CLIP, TUBE                 | 1       |                |
| 003 | 19610-ZE2-010ZA | COVER COMP., FAN *R8 *     | 1       |                |
| 005 | 19631-ZE2-D00   | SHROUD                     | 1       |                |
| 012 | 36100-ZE1-015   | SWITCH ASSY., ENGINE STOP  | 1       | 3313581        |
| 012 | 36100-ZE1-015   | SWITCH ASSY., ENGINE STOP  | 1       |                |
| 014 | 90013-883-000   | BOLT, FLANGE, 6X12 (CT200) | 8       | 3116814        |
| 014 | 90013-883-000   | BOLT, FLANGE, 6X12 (CT200) | 6       | 3116815        |

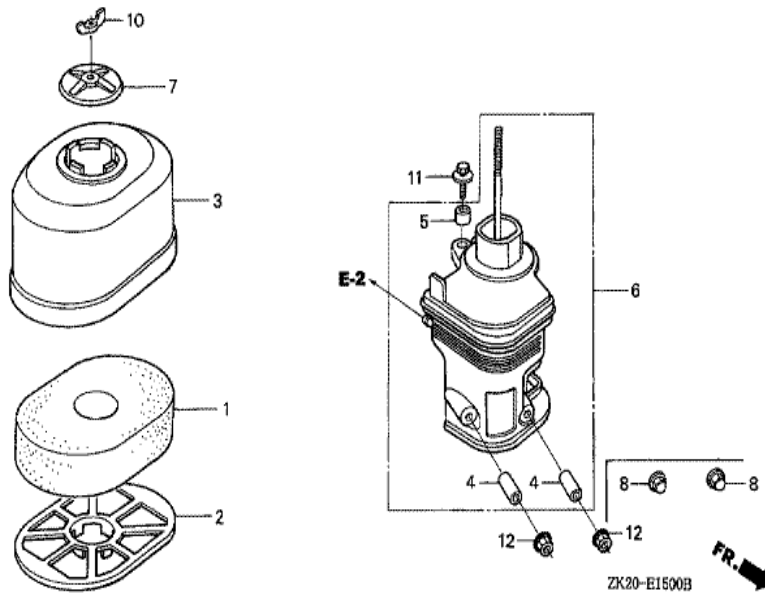


ZK20-E1400C



| Ref | Partnumber    | Description                | GX240K1 | Serial Numbers |
|-----|---------------|----------------------------|---------|----------------|
| 001 | 16010-ZE2-015 | GASKET SET                 | 1       |                |
| 002 | 16011-ZA0-931 | VALVE SET, FLOAT           | 1       |                |
| 003 | 16013-ZA0-931 | FLOAT SET                  | 1       |                |
| 004 | 16015-ZE8-005 | CHAMBER SET, FLOAT         | 1       |                |
| 005 | 16016-ZE0-005 | SCREW SET, PILOT           | 1       |                |
| 006 | 16028-ZE0-005 | SCREW SET                  | 1       |                |
| 007 | 16100-ZE2-W20 | CARBURETOR ASSY. (BE15F A) | 1       | 3455474        |
| 007 | 16100-ZE2-W21 | CARBURETOR ASSY. (BE15F B) | 1       | 3455475        |
| 007 | 16100-ZE2-W21 | CARBURETOR ASSY. (BE15F B) | 1       | 3455475        |
| 008 | 16124-ZE0-005 | SCREW, THROTTLE STOP       | 1       |                |
| 009 | 16166-ZE2-015 | NOZZLE, MAIN               | 1       |                |
| 010 | 16211-ZE2-000 | INSULATOR, CARBURETOR      | (1)     | 4926607        |
| 011 | 16221-ZA0-800 | PACKING, CARBURETOR        | 1       |                |

| <u>Ref</u> | <u>Partnumber</u> | <u>Description</u>        | <u>GX240K1</u> | <u>Serial Numbers</u> |
|------------|-------------------|---------------------------|----------------|-----------------------|
| 012        | 16223-ZA0-800     | PACKING, INSULATOR        | 1              |                       |
| 013        | 16953-ZE1-811     | LEVER, COCK               | 1              | BE15F A               |
| 013        | 16953-ZE1-812     | LEVER, COCK               | (1)            | BE15F B               |
| 013        | 16953-ZE1-812     | LEVER, COCK               | 1              | BE15F B               |
| 014        | 16954-ZE1-812     | PLATE, LEVER SETTING      | 1              |                       |
| 015        | 16956-ZE1-811     | SPRING, COCK LEVER        | 1              |                       |
| 016        | 16957-ZE1-812     | PACKING, FUEL COCK        | 1              |                       |
| 017        | 93500-030061H     | SCREW, PAN, 3X6           | 2              | BE15F B               |
| 017        | 93500-030081G     | SCREW, PAN, 3X8           | 2              | BE15F A               |
| 017        | 93500-030081G     | SCREW, PAN, 3X8           | 2              | BE15F A               |
| 018        | 99101-ZF50800     | JET, MAIN, #80            | (1)            | BE15F A               |
| 018        | 99101-ZF50820     | JET, MAIN, #82            | (1)            | BE15F A               |
| 018        | 99101-ZF50820     | JET, MAIN, #82            | (1)            | BE15F A               |
| 018        | 99101-ZF50850     | JET, MAIN, #85            | 1              | BE15F A               |
| 018        | 99101-ZF50850     | JET, MAIN, #85            | 1              | BE15F A               |
| 018        | 99101-ZH80800     | JET, MAIN, #80            | (1)            | BE15F B               |
| 018        | 99101-ZH80800     | JET, MAIN, #80            | (1)            | BE15F B               |
| 018        | 99101-ZH80820     | JET, MAIN, #82            | (1)            |                       |
| 018        | 99101-ZH80820     | JET, MAIN, #82            | (1)            | BE15F B               |
| 018        | 99101-ZH80850     | JET, MAIN, #85            | 1              | BE15F B               |
| 018        | 99101-ZH80850     | JET, MAIN, #85            | 1              | BE15F B               |
| 019        | 99204-ZE00380     | JET SET, PILOT, #38       | 1              | BE15F B               |
| 019        | 99204-ZE20380     | JET SET, PILOT, #38       | 1              | BE15F A               |
| 019        | 99204-ZE20380     | JET SET, PILOT, #38       | 1              | BE15F A               |
| 020        | 16044-ZE2-005     | CHOKE SET                 | 1              |                       |
| 021        | 16220-ZA0-702     | SPACER COMP., CARBURETOR  | 1              |                       |
| 022        | 16610-ZE1-000     | LEVER COMP., CHOKE (STD.) | 1              |                       |
| 023        | 94305-20122       | PIN, SPRING, 2X12         | 1              |                       |



| Ref | Partnumber    | Description                     | GX240K1 | Serial Numbers |
|-----|---------------|---------------------------------|---------|----------------|
| 001 | 17211-ZE2-000 | ELEMENT, AIR CLEANER (SEMI DRY) | 1       |                |
| 002 | 17212-ZE2-000 | GRID, AIR CLEANER               | 1       |                |
| 003 | 17231-ZE2-000 | COVER, AIR CLEANER (SEMI DRY)   | 1       |                |
| 004 | 17238-ZE2-310 | COLLAR, AIR CLEANER             | 2       |                |
| 005 | 17239-ZE1-000 | COLLAR B, AIR CLEANER           | 1       |                |
| 006 | 17410-ZE2-020 | ELBOW COMP., AIR CLEANER        | 1       |                |
| 007 | 17420-ZE2-000 | CAP COMP., AIR CLEANER          | 1       |                |
| 010 | 90325-044-000 | NUT, TOOL BOX SETTING           | (1)     |                |
| 011 | 93494-0602008 | BOLT-WASHER, 6X20               | 1       |                |
| 011 | 93494-0602008 | BOLT-WASHER, 6X20               | 1       |                |
| 012 | 94050-06000   | NUT, FLANGE, 6MM                | 2       |                |



| Ref | Partnumber    | Description                       | GX240K1 | Serial Numbers |
|-----|---------------|-----------------------------------|---------|----------------|
| 001 | 18310-ZE2-W00 | MUFFLER COMP.                     | 1       |                |
| 002 | 18320-ZE2-W01 | PROTECTOR COMP., MUFFLER (STD.)   | 1       |                |
| 004 | 18330-ZE2-W00 | PIPE, EX.                         | 1       |                |
| 006 | 18333-ZE3-800 | GASKET, EX. PIPE                  | (1)     |                |
| 009 | 18381-ZE2-800 | GASKET, MUFFLER (NIPPON LEAKLESS) | 1       |                |
| 011 | 90050-ZE1-000 | SCREW, TAPPING, 5X8               | 4       |                |
| 013 | 94050-08000   | NUT, FLANGE, 8MM                  | 3       |                |
| 014 | 94050-08000   | NUT, FLANGE, 8MM                  | 2       |                |



| Ref | Partnumber      | Description                            | GX240K1 | Serial Numbers  |
|-----|-----------------|----------------------------------------|---------|-----------------|
| 002 | 16854-ZH8-000   | RUBBER, SUPPORTER (107MM)              | 1       | 3411798         |
| 002 | 16854-ZH8-000   | RUBBER, SUPPORTER (107MM)              | 1       | 3411798         |
| 005 | 16955-ZE1-000   | JOINT, FUEL TANK                       | 1       |                 |
| 011 | 17510-ZE2-020ZA | TANK COMP., FUEL *NH31 *               | 1       | 4568629 4776725 |
| 011 | 17510-ZE2-020ZA | TANK COMP., FUEL *NH31 *               | 1       |                 |
| 012 | 17620-ZE2-W00   | CAP COMP., FUEL FILLER (CHROME PLATED) | 1       | 4495553         |
| 015 | 17631-329-003   | PACKING, FUEL FILLER CAP (39X58X3)     | 1       |                 |
| 018 | 17672-ZE2-W01   | FILTER, FUEL                           | 1       | 3200766         |
| 026 | 91353-671-004   | O-RING, 14MM (NOK)                     | 1       |                 |
| 029 | 94050-08000     | NUT, FLANGE, 8MM                       | 2       |                 |
| 030 | 95001-4522240   | TUBE, FUEL, 4.5X222 (95001-45001-60M)  | 1       |                 |
| 030 | 95001-4522240   | TUBE, FUEL, 4.5X222 (95001-45001-60M)  | 1       | 3411798         |
| 031 | 95002-02080     | CLIP, TUBE (B8)                        | 2       |                 |
| Ref | Partnumber      | Description                            | GX240K1 | Serial Numbers  |
| 032 | 95701-0802500   | BOLT, FLANGE, 8X25                     | 2       |                 |
| 032 | 95701-0802500   | BOLT, FLANGE, 8X25                     | 2       |                 |



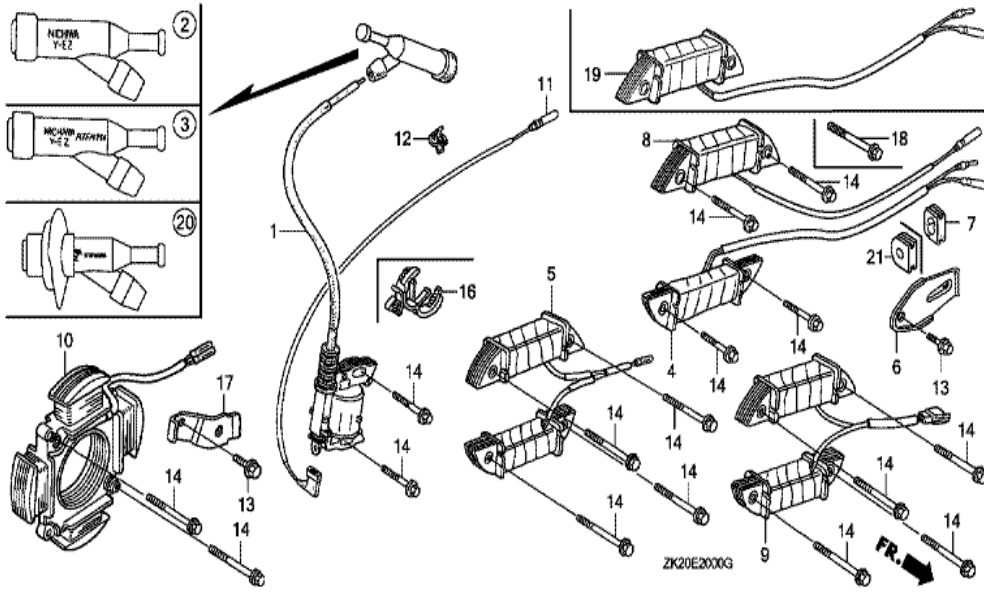
| Ref | Partnumber    | Description        | GX240K1 | Serial Numbers |
|-----|---------------|--------------------|---------|----------------|
| 002 | 19511-ZE2-000 | FAN, COOLING       | 1       |                |
| 005 | 28451-ZE2-W01 | PULLEY, STARTER    | 1       |                |
| 009 | 31100-ZE2-010 | FLYWHEEL COMP.     | 1       | 3337056        |
| 013 | 90201-ZE3-790 | NUT, SPECIAL, 16MM | 1       | 3467138        |
| 013 | 90201-ZE3-790 | NUT, SPECIAL, 16MM | 1       | 4835166        |
| 013 | 90201-ZE3-V00 | NUT, SPECIAL, 16MM | 1       |                |
| 013 | 90201-ZE3-V00 | NUT, SPECIAL, 16MM | 1       | 3467139        |



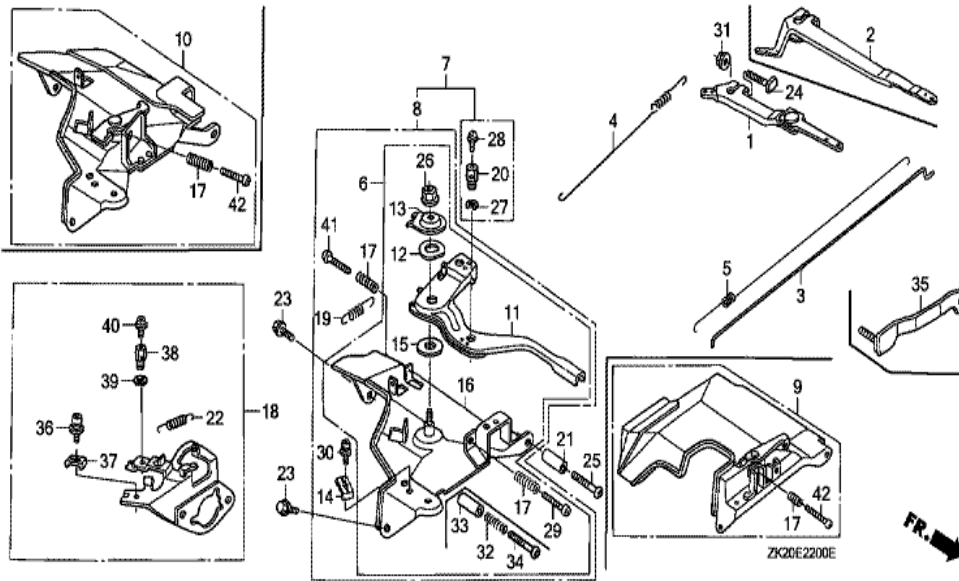


| Ref | Partnumber    | Description             | GX240K1 | Serial Numbers |
|-----|---------------|-------------------------|---------|----------------|
| 001 | 12200-ZH9-000 | HEAD COMP., CYLINDER    | 1       |                |
| 002 | 12204-ZE2-306 | GUIDE, IN. VALVE (O.S.) | 1       |                |
| 003 | 12205-ZE2-305 | GUIDE, EX. VALVE (OS)   | 1       |                |
| 004 | 12216-ZE2-300 | CLIP, VALVE GUIDE       | 1       |                |
| 005 | 12251-ZE2-800 | GASKET, CYLINDER HEAD   | 1       |                |
| 006 | 12310-ZE2-020 | COVER COMP., HEAD       | 1       | 3146327        |
| 006 | 12310-ZE2-020 | COVER COMP., HEAD       | 1       |                |
| 007 | 12391-ZE2-020 | PACKING, HEAD COVER     | 1       |                |
| 008 | 14775-ZE2-010 | SEAT, VALVE SPRING      | 1       |                |
| 011 | 90014-ZE2-000 | BOLT, HEAD COVER        | 1       |                |
| 012 | 90042-ZE2-000 | BOLT, STUD, 8X123       | 2       |                |
| 012 | 90042-ZE2-000 | BOLT, STUD, 8X123       | 2       |                |
| 013 | 90047-ZE2-000 | BOLT, STUD, 8X47        | 2       |                |

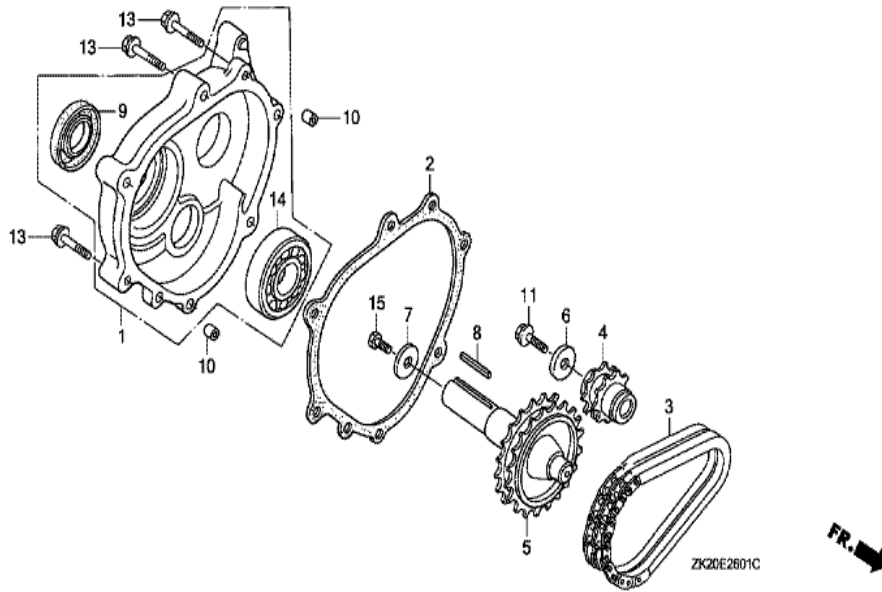
| <u>Ref</u> | <u>Partnumber</u> | <u>Description</u>             | <u>GX240K1</u> | <u>Serial Numbers</u> |
|------------|-------------------|--------------------------------|----------------|-----------------------|
| 013        | 90047-ZE2-000     | BOLT, STUD, 8X47               | 2              | 3844352               |
| 013        | 92900-080320E     | BOLT, STUD, 8X32               | 2              |                       |
| 013        | 92900-080320E     | BOLT, STUD, 8X32               | 2              | 3844353               |
| 014        | 90441-ZE2-010     | WASHER COMP., HEAD COVER       | 1              |                       |
| 015        | 94301-12200       | DOWEL PIN, 12X20               | 2              |                       |
| 017        | 95005-1110030     | TUBE, 11X100 (95005-11001-30M) | 1              |                       |
| 017        | 95005-1110030     | TUBE, 11X100 (95005-11001-30M) | 1              | 3454868               |
| 017        | 95005-1110530     | TUBE, 11X105 (95005-11001-30M) | 1              | 3454867               |
| 017        | 95005-1110530     | TUBE, 11X105 (95005-11001-30M) | 1              | 3454867               |
| 018        | 95725-1008000     | BOLT, FLANGE, 10X80            | 4              | 4847591               |
| 018        | 95725-1008000     | BOLT, FLANGE, 10X80            | 4              |                       |
| 019        | 98079-55841       | PLUG, SPARK (BP5ES) (NGK)      | 1              | 3860624               |
| 019        | 98079-55841       | PLUG, SPARK (BP5ES) (NGK)      | (1)            |                       |
| 019        | 98079-55855       | PLUG, SPARK (W16EPR-U) (DENSO) | 1              |                       |
| 019        | 98079-55855       | PLUG, SPARK (W16EPR-U) (DENSO) | (1)            |                       |
| 019        | 98079-56841       | PLUG, SPARK (BP6ES) (NGK)      | 1              | 3543504               |
| 019        | 98079-56841       | PLUG, SPARK (BP6ES) (NGK)      | 1              |                       |
| 019        | 98079-56855       | PLUG, SPARK (W20EPR-U) (DENSO) | 1              |                       |
| 019        | 98079-56855       | PLUG, SPARK (W20EPR-U) (DENSO) | 1              |                       |



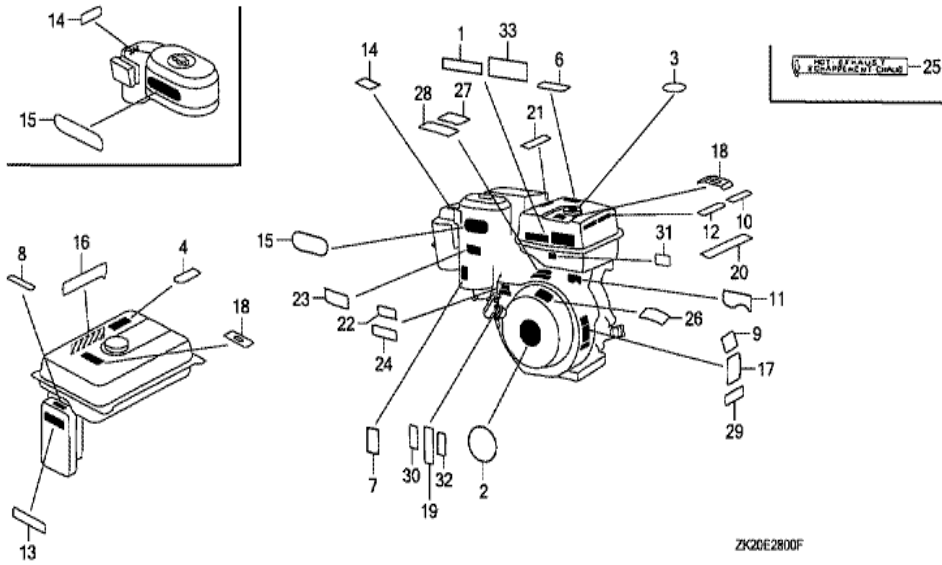
| Ref | Partnumber    | Description                               | GX240K1 | Serial Numbers |
|-----|---------------|-------------------------------------------|---------|----------------|
| 001 | 30500-ZF6-W02 | COIL ASSY., IGNITION                      | 1       |                |
| 001 | 30500-ZF6-W02 | COIL ASSY., IGNITION                      | 1       |                |
| 002 | 30600-ZE1-013 | TERMINAL ASSY., HIGH TENSION (NICHIIWA Y- | (1)     |                |
| 007 | 31512-ZE2-000 | GROMMET, CORD                             | 1       |                |
| 011 | 36101-ZE1-010 | CORD, STOP SWITCH (370MM)                 | 1       |                |
| 012 | 36103-ZE1-000 | HOLDER, STOP SWITCH CORD                  | 1       |                |
| 012 | 36103-ZE1-000 | HOLDER, STOP SWITCH CORD                  | 1       |                |
| 014 | 90015-883-000 | BOLT, FLANGE, 6X28 (CT200)                | N       |                |



| <u>Ref</u> | <u>Partnumber</u> | <u>Description</u>                       | <u>GX240K1</u> | <u>Serial Numbers</u> |
|------------|-------------------|------------------------------------------|----------------|-----------------------|
| 002        | 16551-ZE2-000     | ARM, GOVERNOR                            | 1              |                       |
| 003        | 16555-ZE2-000     | ROD, GOVERNOR                            | 1              |                       |
| 003        | 16555-ZE2-000     | ROD, GOVERNOR                            | 1              |                       |
| 004        | 16561-ZE2-000     | SPRING, GOVERNOR (L=145.0MM) (WIRE DIAME | 1              | 3156815               |
| 005        | 16562-ZE2-000     | SPRING, THROTTLE RETURN                  | 1              | 3337056               |
| 006        | 16570-ZE2-W00     | CONTROL ASSY.                            | 1              |                       |
| 011        | 16571-ZE2-W00     | LEVER, CONTROL                           | 1              |                       |
| 011        | 16571-ZE2-W00     | LEVER, CONTROL                           | 1              |                       |
| 012        | 16574-ZE1-000     | SPRING, LEVER                            | 1              | 3077713               |
| 013        | 16575-ZE2-W00     | WASHER, CONTROL LEVER                    | 1              | 3454257               |
| 015        | 16578-ZE1-000     | SPACER, CONTROL LEVER                    | 1              |                       |
| 016        | 16581-ZE2-W00     | BASE COMP., CONTROL (###)                | 1              | 3454257               |
| 016        | 16581-ZE2-W00     | BASE COMP., CONTROL (###)                | 1              |                       |
| <u>Ref</u> | <u>Partnumber</u> | <u>Description</u>                       | <u>GX240K1</u> | <u>Serial Numbers</u> |
| 017        | 16584-883-300     | SPRING, CONTROL ADJUSTING                | (1)            |                       |
| 023        | 90013-883-000     | BOLT, FLANGE, 6X12 (CT200)               | 2              |                       |
| 024        | 90015-ZE5-010     | BOLT, GOVERNOR ARM                       | 1              |                       |
| 026        | 90114-SA0-000     | NUT, SELF-LOCK, 6MM                      | 1              | 3454257               |
| 029        | 93500-050280A     | SCREW, PAN, 5X28                         | 1              | 3454257               |
| 029        | 93500-050280A     | SCREW, PAN, 5X28                         | 1              |                       |
| 031        | 94050-06000       | NUT, FLANGE, 6MM                         | 1              |                       |

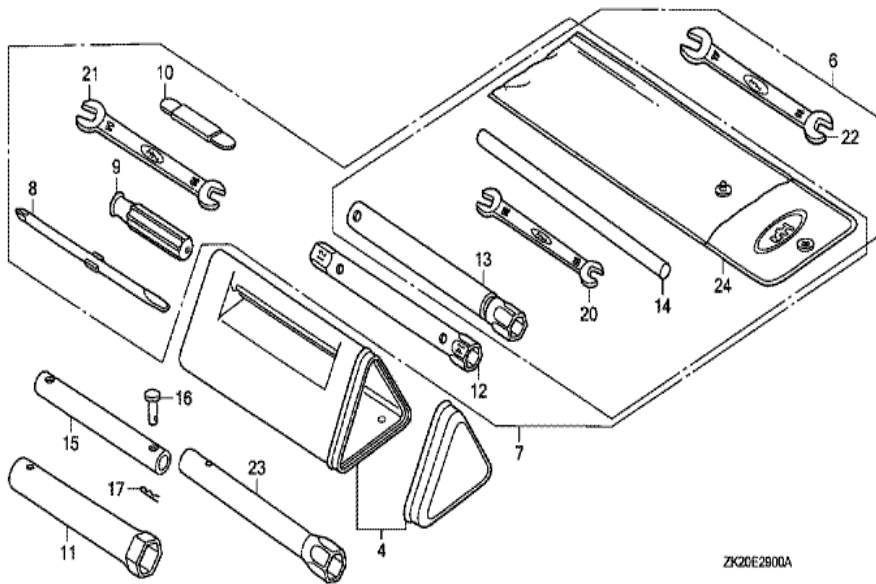


| <u>Ref</u> | <u>Partnumber</u> | <u>Description</u>          | <u>GX240K1</u> | <u>Serial Numbers</u> |
|------------|-------------------|-----------------------------|----------------|-----------------------|
| 001        | 11500-ZE2-610     | COVER ASSY., CHAIN CASE     | 1              |                       |
| 002        | 11521-ZE2-800     | PACKING, CHAIN CASE COVER   | 1              |                       |
| 003        | 14411-ZE2-611     | CHAIN, P.T.O. DRIVE         | 1              |                       |
| 004        | 23110-ZE2-610     | SPROCKET, DRIVE (14T)       | 1              |                       |
| 005        | 23710-ZE2-610     | SHAFT, P.T.O. (28T)         | 1              |                       |
| 006        | 90473-842-000     | WASHER, 8MM                 | 1              |                       |
| 008        | 90741-805-000     | KEY, 7X7X33                 | 1              |                       |
| 008        | 90741-889-810     | KEY, 7X7X33 (YELLOW) (O.S.) | (1)            |                       |
| 008        | 90741-889-810     | KEY, 7X7X33 (YELLOW) (O.S.) | (1)            |                       |
| 009        | 91201-890-003     | OIL SEAL, 30X46X8           | 1              |                       |
| 010        | 94301-08140       | DOWEL PIN, 8X14             | 2              |                       |
| 011        | 95701-0802500     | BOLT, FLANGE, 8X25          | 1              |                       |
| 013        | 95701-0804000     | BOLT, FLANGE, 8X40          | 6              |                       |
| <u>Ref</u> | <u>Partnumber</u> | <u>Description</u>          | <u>GX240K1</u> | <u>Serial Numbers</u> |
| 014        | 96100-6206000     | BEARING, RADIAL BALL, 6206  | 1              |                       |



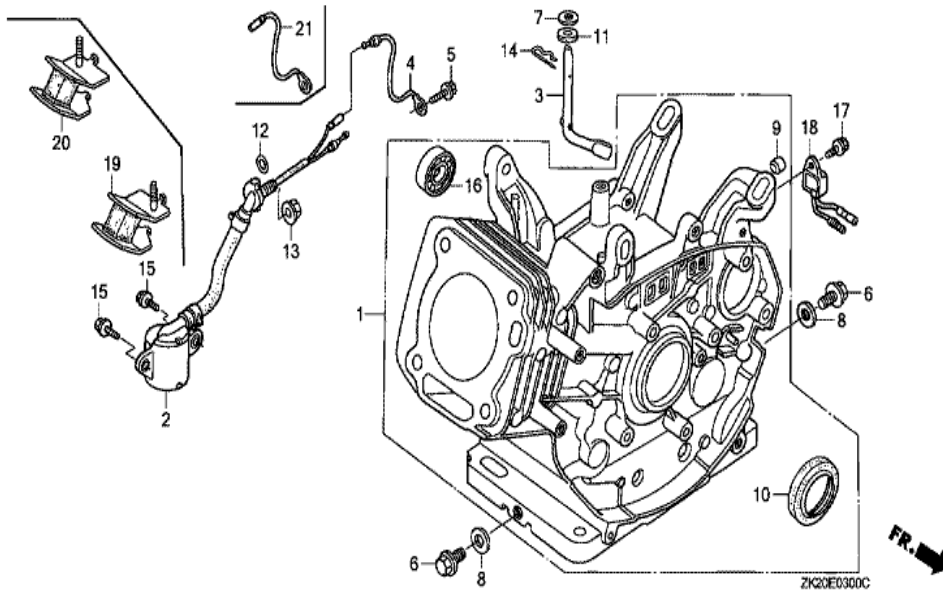
ZK20E2800F

| Ref | Partnumber    | Description                    | GX240K1 | Serial Numbers |
|-----|---------------|--------------------------------|---------|----------------|
| 001 | 87522-ZH9-000 | LABEL, CAUTION (ENGLISH, ETC.) | 1       | 3302521        |
| 001 | 87522-ZH9-000 | LABEL, CAUTION (ENGLISH, ETC.) | 1       |                |
| 003 | 87522-ZE1-810 | MARK, CAUTION                  | 1       | 3254423        |
| 003 | 87522-ZE1-810 | MARK, CAUTION                  | 1       |                |
| 007 | 87528-ZE2-810 | MARK, CHOKE (ORANGE)           | 1       | 3165403        |
| 007 | 87528-ZE2-810 | MARK, CHOKE (ORANGE)           | 1       |                |



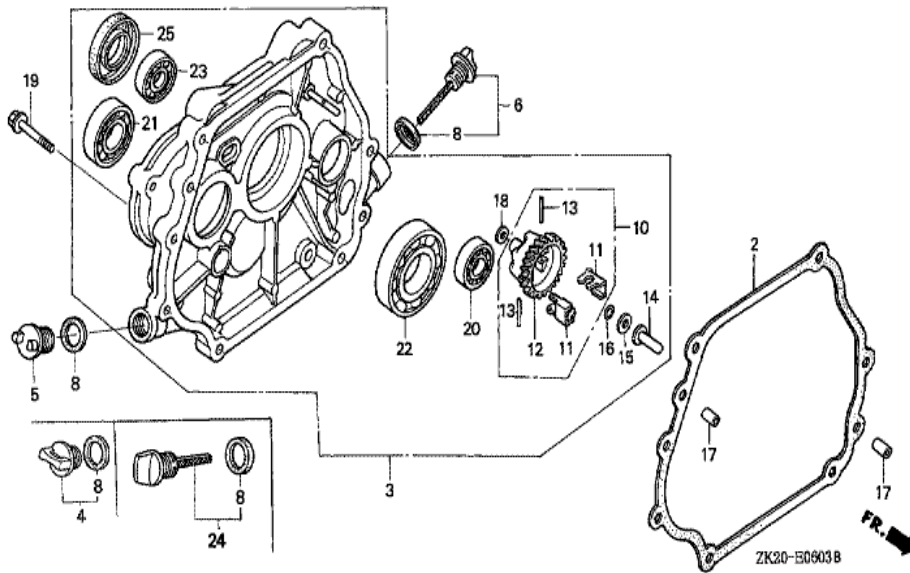
ZK20E2900A

| Ref | Partnumber    | Description              | GX240K1 | Serial Numbers |
|-----|---------------|--------------------------|---------|----------------|
| 004 | 83501-ZF1-000 | BOX, TOOL                | 1       | 3567209        |
| 007 | 89001-ZF1-000 | BAG SET, TOOL            | 1       | 3567209        |
| 008 | 89102-538-000 | DRIVER, SCREW (NO.2 + -) | 1       | 3567209        |
| 009 | 89103-538-000 | GRIP                     | 1       | 3567209        |
| 010 | 89210-ZF1-000 | GAUGE ASSY., THICKNESS   | 1       | 3567209        |
| 012 | 89216-ZF1-000 | WRENCH, BOX              | 1       | 3567209        |
| 013 | 89218-ZE1-000 | WRENCH COMP., SPARK PLUG | 1       |                |
| 013 | 89218-ZE1-000 | WRENCH COMP., SPARK PLUG | 1       |                |
| 014 | 89219-805-000 | HANDLE, BOX WRENCH       | 1       | 3656815        |
| 020 | 99001-10120   | SPANNER, 10X12           | 1       | 3656815        |
| 021 | 99001-10140   | SPANNER, 10X14           | 1       | 3567209        |
| 024 | 99008-02300   | BAG, TOOL, 230MM         | 1       | 3656815        |

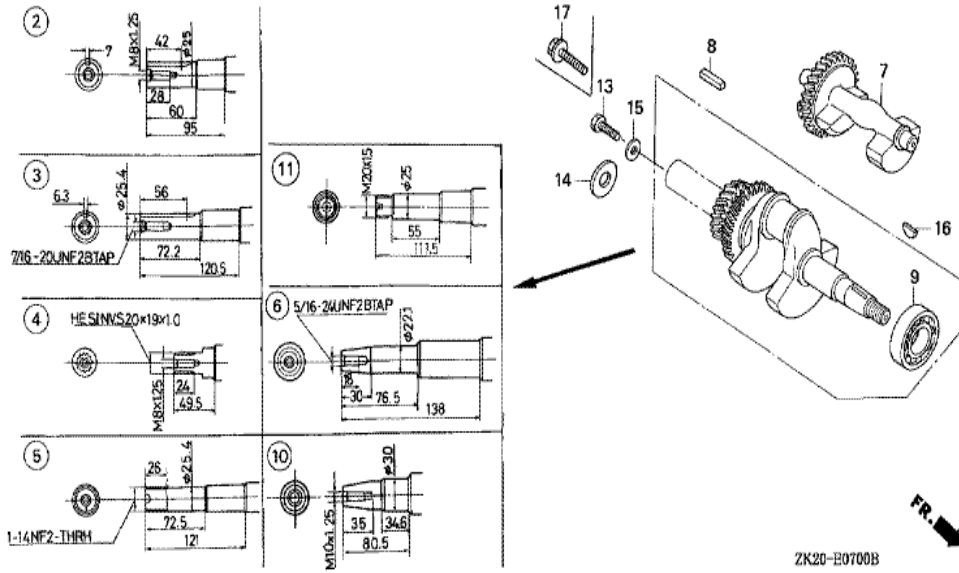


| Ref | Partnumber    | Description                   | GX240K1 | Serial Numbers |
|-----|---------------|-------------------------------|---------|----------------|
| 001 | 12000-ZE2-040 | BARREL ASSY., CYLINDER (STD.) | 1       | 4081304        |
| 003 | 16541-ZE2-010 | SHAFT, GOVERNOR ARM           | 1       |                |
| 006 | 90131-883-000 | BOLT, DRAIN PLUG, 12X15       | 2       |                |
| 007 | 90446-KE1-000 | WASHER, 8.2X17X0.8            | 1       |                |
| 008 | 94109-12000   | WASHER, DRAIN PLUG, 12MM      | 2       |                |
| 009 | 90801-ZE2-003 | PLUG, SEALING (RUBBER 10MM)   | 1       |                |
| 010 | 91201-890-003 | OIL SEAL, 30X46X8             | 1       |                |
| 014 | 94251-10000   | PIN, LOCK, 10MM               | 1       | 3332422        |
| 014 | 94251-10000   | PIN, LOCK, 10MM               | 1       |                |



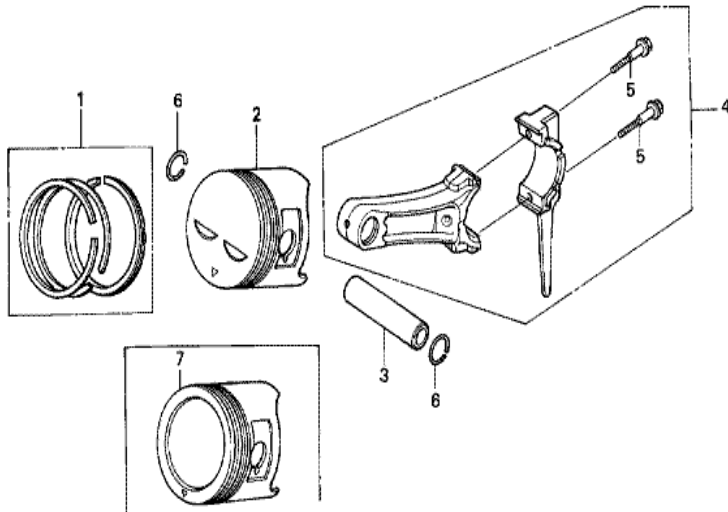


| <u>Ref</u> | <u>Partnumber</u> | <u>Description</u>         | <u>GX240K1</u> | <u>Serial Numbers</u> |
|------------|-------------------|----------------------------|----------------|-----------------------|
| 002        | 11381-ZE2-801     | PACKING, CASE COVER        | 1              |                       |
| 003        | 11300-ZE2-610     | COVER ASSY., CRANKCASE     | 1              | 4211335               |
| 003        | 11300-ZE2-610     | COVER ASSY., CRANKCASE     | 1              |                       |
| 004        | 15600-ZG4-003     | CAP ASSY., OIL FILLER      | 1              | 3210414               |
| 006        | 15600-735-003     | CAP ASSY., OIL FILLER      | 1              |                       |
| 006        | 15600-735-003     | CAP ASSY., OIL FILLER      | 1              | 3210414               |
| 008        | 15625-ZE1-003     | PACKING, OIL FILLER CAP    | 2              |                       |
| 008        | 15625-ZE1-003     | PACKING, OIL FILLER CAP    | 2              |                       |
| 010        | 16510-ZE2-000     | GOVERNOR ASSY.             | 1              |                       |
| 011        | 16511-ZE2-000     | WEIGHT, GOVERNOR           | 2              |                       |
| 012        | 16512-ZE2-000     | HOLDER, GOVERNOR WEIGHT    | 1              |                       |
| 013        | 16513-ZE2-000     | PIN, GOVERNOR WEIGHT       | 2              |                       |
| 014        | 16531-Z0A-000     | SLIDER, GOVERNOR           | 1              |                       |
| <u>Ref</u> | <u>Partnumber</u> | <u>Description</u>         | <u>GX240K1</u> | <u>Serial Numbers</u> |
| 014        | 16531-Z0A-000     | SLIDER, GOVERNOR           | 1              | 4211336               |
| 016        | 90602-ZE1-000     | CLIP, GOVERNOR HOLDER      | 1              |                       |
| 017        | 90701-HC4-000     | DOWEL PIN, 8X12            | 2              |                       |
| 018        | 94101-06800       | WASHER, PLAIN, 6MM         | 1              |                       |
| 019        | 95701-0803500     | BOLT, FLANGE, 8X35         | 7              |                       |
| 021        | 96100-6204000     | BEARING, RADIAL BALL, 6204 | 1              |                       |
| 022        | 96100-6206000     | BEARING, RADIAL BALL, 6206 | 1              |                       |



ZK20-E0700B

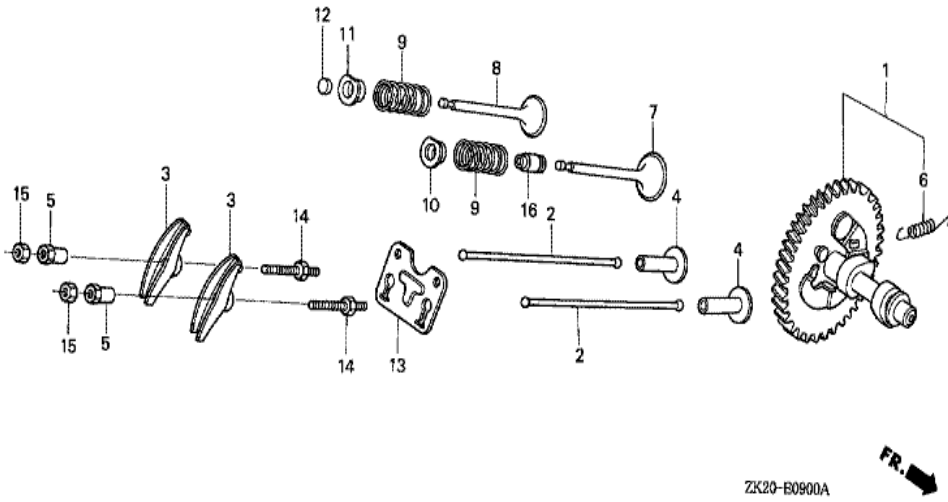
| Ref | Partnumber    | Description                  | GX240K1 | Serial Numbers |
|-----|---------------|------------------------------|---------|----------------|
| 004 | 13310-ZE2-611 | CRANKSHAFT COMP.             | 1       | 4769508        |
| 009 | 96100-6206000 | BEARING, RADIAL BALL, 6206   | 1       |                |
| 016 | 90741-ZE2-000 | KEY, SPECIAL WOODRUFF, 25X18 | 1       |                |
| 016 | 90741-ZE2-000 | KEY, SPECIAL WOODRUFF, 25X18 | 1       |                |



ZK20-E0800A



| <u>Ref</u> | <u>Partnumber</u> | <u>Description</u>                      | <u>GX240K1</u> | <u>Serial Numbers</u> |
|------------|-------------------|-----------------------------------------|----------------|-----------------------|
| 001        | 13010-ZE2-013     | RING SET, PISTON (STD.) (NIPPON)        | 1              | 4081304               |
| 001        | 13010-ZE2-013     | RING SET, PISTON (STD.) (NIPPON)        | 1              |                       |
| 001        | 13010-ZE2-014     | RING SET, PISTON (STD.) (TEIKOKU)       | 1              | 4081304               |
| 001        | 13010-ZE2-014     | RING SET, PISTON (STD.) (TEIKOKU)       | 1              |                       |
| 001        | 13011-ZE2-013     | RING SET, PISTON (0.25) (NIPPON)        | (1)            | 4081304               |
| 001        | 13011-ZE2-013     | RING SET, PISTON (0.25) (NIPPON)        | (1)            |                       |
| 001        | 13011-ZE2-014     | RING SET, PISTON (0.25) (TEIKOKU)       | (1)            |                       |
| 001        | 13011-ZE2-014     | RING SET, PISTON (0.25) (TEIKOKU)       | (1)            |                       |
| 001        | 13012-ZE2-013     | RING SET, PISTON (0.50) (NIPPON)        | (1)            |                       |
| 001        | 13012-ZE2-013     | RING SET, PISTON (0.50) (NIPPON)        | (1)            |                       |
| 001        | 13012-ZE2-014     | RING SET, PISTON (0.50) (TEIKOKU)       | (1)            |                       |
| 001        | 13012-ZE2-014     | RING SET, PISTON (0.50) (TEIKOKU)       | (1)            |                       |
| 001        | 13012-ZE2-014     | RING SET, PISTON (0.50) (TEIKOKU)       | (1)            |                       |
| 001        | 13013-ZE2-013     | RING SET, PISTON (0.75) (NIPPON)        | (1)            |                       |
| <u>Ref</u> | <u>Partnumber</u> | <u>Description</u>                      | <u>GX240K1</u> | <u>Serial Numbers</u> |
| 001        | 13013-ZE2-013     | RING SET, PISTON (0.75) (NIPPON)        | (1)            |                       |
| 001        | 13013-ZE2-014     | RING SET, PISTON (0.75) (TEIKOKU)       | (1)            | 4081304               |
| 001        | 13013-ZE2-014     | RING SET, PISTON (0.75) (TEIKOKU)       | (1)            |                       |
| 002        | 13101-ZE2-W00     | PISTON (STD.)                           | 1              | 4869814               |
| 002        | 13102-ZE2-W00     | PISTON (0.25)                           | (1)            |                       |
| 002        | 13102-ZE2-W00     | PISTON (0.25)                           | (1)            |                       |
| 002        | 13103-ZE2-W00     | PISTON (0.50)                           | (1)            | 4869814               |
| 002        | 13103-ZE2-W00     | PISTON (0.50)                           | (1)            |                       |
| 002        | 13104-ZE2-W00     | PISTON (0.75)                           | (1)            |                       |
| 002        | 13104-ZE2-W00     | PISTON (0.75)                           | (1)            |                       |
| 003        | 13111-ZE2-000     | PIN, PISTON                             | 1              |                       |
| 004        | 13200-ZE2-010     | ROD ASSY., CONNECTING (STD.)            | 1              |                       |
| 004        | 13200-ZE2-305     | ROD ASSY., CONNECTING (0.25 UNDER SIZE) | (1)            |                       |
| 004        | 13200-ZE2-305     | ROD ASSY., CONNECTING (0.25 UNDER SIZE) | (1)            |                       |
| 005        | 90001-ZE8-000     | BOLT, CONNECTING ROD                    | 2              |                       |
| 006        | 90551-ZE1-000     | CLIP, PISTON PIN, 18MM                  | 2              |                       |



ZK20-E0900A



| <u>Ref</u> | <u>Partnumber</u> | <u>Description</u>         | <u>GX240K1</u> | <u>Serial Numbers</u> |
|------------|-------------------|----------------------------|----------------|-----------------------|
| 001        | 14100-ZH9-000     | CAMSHAFT ASSY.             | 1              |                       |
| 001        | 14100-ZH9-000     | CAMSHAFT ASSY.             | 1              | 3620888               |
| 001        | 14100-ZH9-010     | CAMSHAFT ASSY.             | 1              | 3620889               |
| 001        | 14100-ZH9-010     | CAMSHAFT ASSY.             | 1              | 3620889               |
| 002        | 14410-ZE2-013     | ROD, PUSH                  | 2              |                       |
| 003        | 14431-ZE2-010     | ARM, VALVE ROCKER          | 2              |                       |
| 003        | 14431-ZE2-010     | ARM, VALVE ROCKER          | 2              |                       |
| 004        | 14441-ZE2-000     | LIFTER, VALVE              | 2              |                       |
| 005        | 14451-ZE1-013     | PIVOT, ROCKER ARM          | 2              |                       |
| 006        | 14568-ZE1-000     | SPRING, WEIGHT RETURN      | 1              |                       |
| 007        | 14711-ZE2-000     | VALVE, IN.                 | 1              |                       |
| 008        | 14721-ZE2-000     | VALVE, EX.                 | 1              |                       |
| 009        | 14751-ZE2-003     | SPRING, VALVE              | 2              |                       |
| <u>Ref</u> | <u>Partnumber</u> | <u>Description</u>         | <u>GX240K1</u> | <u>Serial Numbers</u> |
| 010        | 14771-ZE2-000     | RETAINER, IN. VALVE SPRING | 1              |                       |
| 011        | 14773-ZE2-000     | RETAINER, EX. VALVE SPRING | 1              |                       |
| 011        | 14773-ZE2-000     | RETAINER, EX. VALVE SPRING | 1              |                       |
| 012        | 14781-ZE2-000     | ROTATOR, VALVE             | 1              |                       |
| 013        | 14791-ZE2-010     | GUIDE, PUSH ROD            | 1              |                       |
| 014        | 90012-ZE0-010     | BOLT, PIVOT, 8MM           | 2              |                       |
| 015        | 90206-ZE1-000     | NUT, PIVOT ADJUSTING       | 2              |                       |



HENG-X0003

| <u>Ref</u> | <u>Partnumber</u> | <u>Description</u> | <u>GX240K1</u> | <u>Serial Numbers</u> |
|------------|-------------------|--------------------|----------------|-----------------------|
| 001        | 061A1-ZE2-040     | GASKET KIT         | 1              | 4045100               |
| 001        | 061A1-ZE2-040     | GASKET KIT         | 1              |                       |