



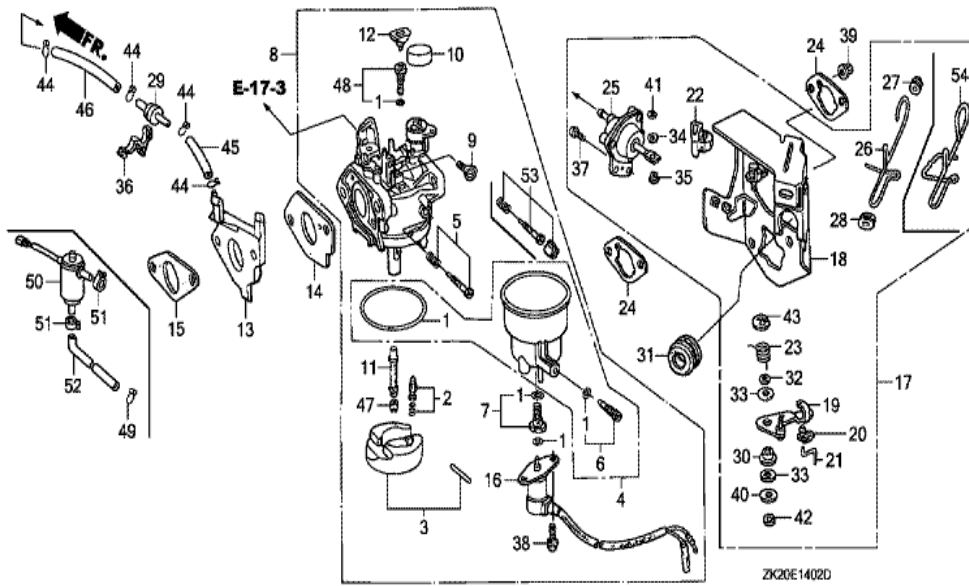
ZK20-E1100A

FR. →

| <u>Ref</u> | <u>Partnumber</u> | <u>Description</u> | <u>GX240K1</u> | <u>Serial Numbers</u> |
|------------|-------------------|-----------------------------------|----------------|-----------------------|
| 001 | 28400-ZE2-W01ZB | STARTER ASSY., RECOIL *NH1* | 1 | |
| 001 | 28400-ZE2-W01ZB | STARTER ASSY., RECOIL *NH1* | 1 | |
| 002 | 28410-ZE2-W01ZB | CASE COMP., RECOIL STARTER *NH1 * | 1 | |
| 002 | 28410-ZE2-W01ZB | CASE COMP., RECOIL STARTER *NH1 * | 1 | |
| 003 | 28421-ZE2-W01 | PULLEY, RECOIL STARTER | 1 | |
| 004 | 28422-ZE2-W01 | RATCHET, STARTER | 2 | |
| 005 | 28441-ZE2-W01 | SPRING, FRICTION | 1 | |
| 006 | 28442-ZE2-W01 | SPRING, STARTER RETURN | 1 | |
| 007 | 28443-ZE2-W01 | SPRING, RATCHET | 2 | |
| 008 | 28444-ZE2-W01 | RETAINER, SPRING | 1 | |
| 010 | 28461-ZE2-W02 | GRIP, STARTER | 1 | 4914022 |
| 011 | 28462-ZE2-W11 | ROPE, RECOIL STARTER | 1 | |
| 011 | 28462-ZE2-W11 | ROPE, RECOIL STARTER | 1 | |
| <u>Ref</u> | <u>Partnumber</u> | <u>Description</u> | <u>GX240K1</u> | <u>Serial Numbers</u> |
| 013 | 90004-ZE2-W01 | SCREW, CENTER | 1 | |
| 014 | 90008-ZE2-003 | BOLT, FLANGE, 6X10 | 3 | |

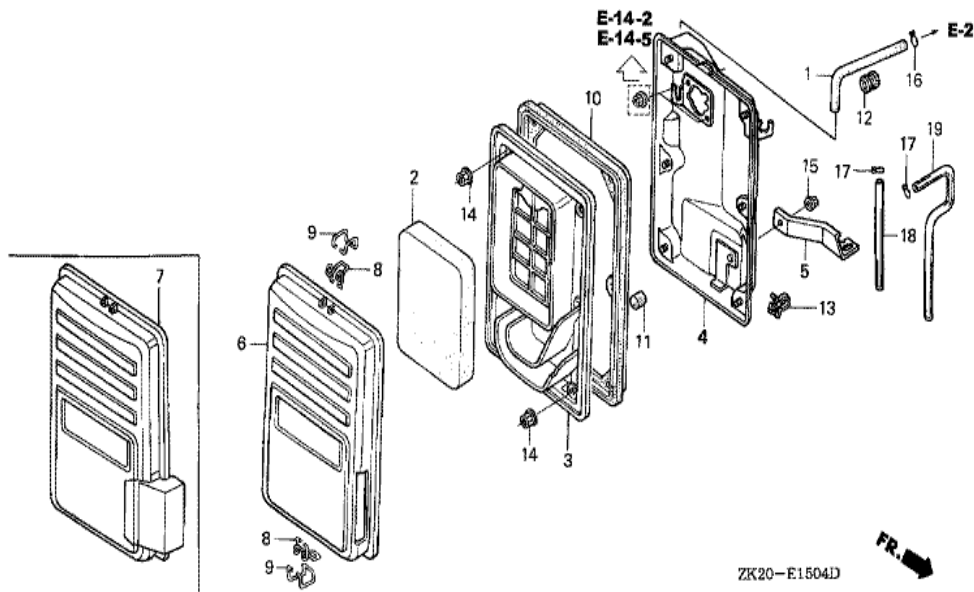


| Ref | Partnumber | Description | GX240K1 | Serial Numbers |
|-----|-----------------|---------------------------------|---------|-----------------|
| 003 | 19610-ZE2-700ZD | COVER COMP., FAN *NH1 * | 1 | |
| 003 | 19610-ZE2-700ZD | COVER COMP., FAN *NH1 * | 1 | |
| 005 | 19631-ZE2-D00 | SHROUD | 1 | |
| 009 | 32197-ZH8-003 | SUB HARNESS | 1 | 3116815 3566259 |
| 013 | 81329-567-020 | GROMMET, DRAIN HOLE | 1 | 3116814 |
| 013 | 81329-567-020 | GROMMET, DRAIN HOLE | 1 | |
| 014 | 90013-883-000 | BOLT, FLANGE, 6X12 (CT200) | 8 | 3116814 |
| 014 | 90013-883-000 | BOLT, FLANGE, 6X12 (CT200) | 6 | 3116815 |
| 015 | 90654-SA4-003 | CLIP, WIRE HARNESS, 6MM (WHITE) | 2 | |
| 015 | 90654-SA4-003 | CLIP, WIRE HARNESS, 6MM (WHITE) | 2 | |
| 016 | 90684-ZA0-601 | CLIP, HARNESS | 1 | 3132286 |



| Ref | Partnumber | Description | GX240K1 | Serial Numbers |
|-----|---------------|----------------------------|---------|----------------|
| 001 | 16010-ZE3-701 | GASKET SET | 1 | |
| 002 | 16011-ZA0-931 | VALVE SET, FLOAT | 1 | |
| 003 | 16013-ZA0-931 | FLOAT SET | 1 | |
| 004 | 16015-ZA0-931 | CHAMBER SET, FLOAT | 1 | |
| 006 | 16024-124-761 | SCREW SET, DRAIN | 1 | BE72C B |
| 006 | 16024-124-761 | SCREW SET, DRAIN | 1 | |
| 007 | 16028-ZA0-931 | SCREW SET | 1 | |
| 008 | 16100-ZE2-F01 | CARBURETOR ASSY. (BE72C B) | 1 | 3456695 |
| 008 | 16100-ZE2-F01 | CARBURETOR ASSY. (BE72C B) | 1 | |
| 009 | 16124-ZE0-005 | SCREW, THROTTLE STOP | 1 | |
| 010 | 16148-141-881 | CAP, CHOKE DUST | 1 | |
| 011 | 16166-ZE2-015 | NOZZLE, MAIN | 1 | |
| 012 | 16172-ZE3-W10 | COLLAR, SETTING | 1 | BE72C B |

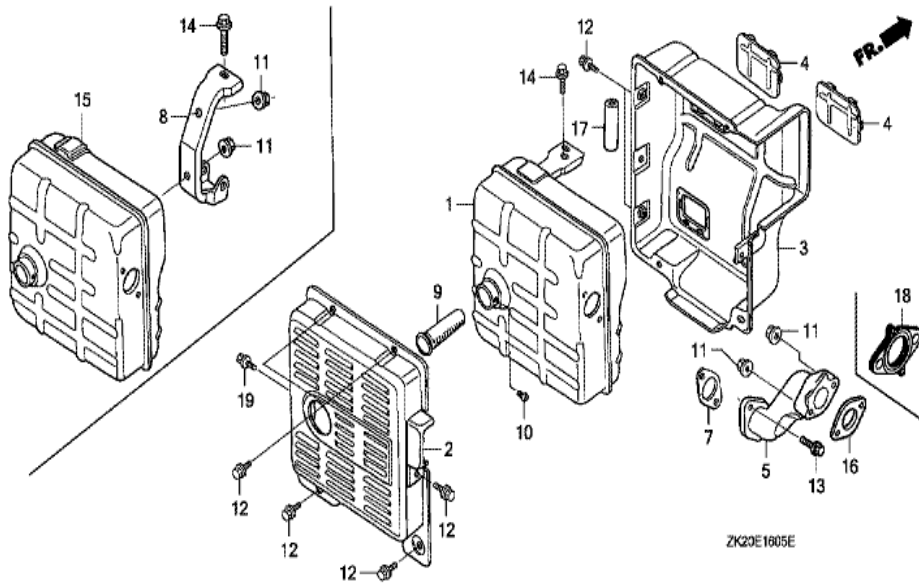
| <u>Ref</u> | <u>Partnumber</u> | <u>Description</u> | <u>GX240K1</u> | <u>Serial Numbers</u> |
|------------|-------------------|---------------------------------|----------------|-----------------------|
| 013 | 16211-ZE2-700 | INSULATOR, CARBURETOR | 1 | 4926161 |
| 014 | 16221-ZA0-800 | PACKING, CARBURETOR | 1 | |
| 015 | 16223-ZA0-800 | PACKING, INSULATOR | 1 | |
| 016 | 16230-ZE3-701 | VALVE ASSY., SOLENOID | 1 | 4852917 |
| 017 | 16260-ZE2-722 | STAY ASSY., MANUAL CHOKE | 1 | 4852917 |
| 018 | 16261-ZE2-702 | STAY COMP., SOLENOID | 1 | |
| 019 | 16262-ZE2-711 | LEVER, CHOKE | 1 | |
| 020 | 16263-ZA0-000 | JOINT, ROD | 1 | |
| 021 | 16264-ZE2-701 | ROD, CHOKE | 1 | |
| 022 | 16265-ZE2-721 | STOPPER, CHOKE ROD | 1 | |
| 023 | 16268-ZE2-721 | SPRING, MANUAL CHOKE | 1 | |
| 024 | 16269-ZA0-800 | PACKING, AIR CLEANER | 2 | |
| 025 | 16400-ZE2-703 | DIAPHRAGM ASSY. | 1 | 4852917 |
| 026 | 16611-ZE2-711 | ROD, CHOKE CONTROL | 1 | |
| 027 | 16613-893-000 | GROMMET, CHOKE ROD | 1 | |
| 028 | 16615-893-000 | GUIDE, CHOKE ROD | 1 | |
| 029 | 36135-ZF6-D41 | VALVE, DASHPOT CHECK | 1 | |
| 029 | 36135-ZF6-D41 | VALVE, DASHPOT CHECK | 1 | |
| 030 | 53149-964-003 | BUSH, ARM PIVOT | 1 | |
| 031 | 88911-MJ3-000 | GROMMET, FENDER | 1 | |
| 032 | 90431-ZE2-700 | WASHER, CHOKE LEVER | 1 | |
| 033 | 90432-ZE2-700 | SEAL, CHOKE LEVER | 2 | |
| 034 | 90433-ZE2-700 | WASHER, THRUST, 2.7X8 | 1 | |
| 035 | 90434-ZE2-700 | COLLAR, LEVER | 1 | |
| 036 | 90650-SD9-003 | CLIP, WIRE HARNESS | 1 | |
| 037 | 93500-050120A | SCREW, PAN, 5X12 | 2 | |
| 038 | 93892-0501218 | SCREW-WASHER, 5X12 | 2 | BE72C B |
| 038 | 93892-0501218 | SCREW-WASHER, 5X12 | 2 | |
| 039 | 94050-06000 | NUT, FLANGE, 6MM | 2 | |
| 040 | 94103-05000 | WASHER, PLAIN, 5MM | 1 | |
| 041 | 94540-02010 | E-RING, 2MM | 1 | |
| 042 | 94540-04010 | E-RING, 4MM | 1 | |
| 043 | 94540-07010 | E-RING, 7MM | 1 | |
| <u>Ref</u> | <u>Partnumber</u> | <u>Description</u> | <u>GX240K1</u> | <u>Serial Numbers</u> |
| 044 | 95002-02070 | CLIP, TUBE (B7) | 4 | |
| 045 | 95005-3506510 | TUBE, 3.5X65 (95005-35001-10M) | 1 | |
| 046 | 95005-3513010 | TUBE, 3.5X130 (95005-35001-10M) | 1 | |
| 046 | 95005-3513010 | TUBE, 3.5X130 (95005-35001-10M) | 1 | |
| 047 | 99101-ZH80750 | JET, MAIN, #75 | (1) | BE72C B |
| 047 | 99101-ZH80750 | JET, MAIN, #75 | (1) | |
| 047 | 99101-ZH80780 | JET, MAIN, #78 | (1) | BE20B B BE20B B |
| 047 | 99101-ZH80780 | JET, MAIN, #78 | (1) | BE72C B |
| 047 | 99101-ZH80780 | JET, MAIN, #78 | (1) | |
| 047 | 99101-ZH80800 | JET, MAIN, #80 | 1 | BE72C B |
| 047 | 99101-ZH80800 | JET, MAIN, #80 | 1 | |
| 048 | 99204-ZA00450 | JET SET, PILOT, #45 | 1 | |
| 048 | 99204-ZA00450 | JET SET, PILOT, #45 | 1 | BE72C B |
| 053 | 16016-ZH7-W01 | SCREW SET, PILOT | 1 | |



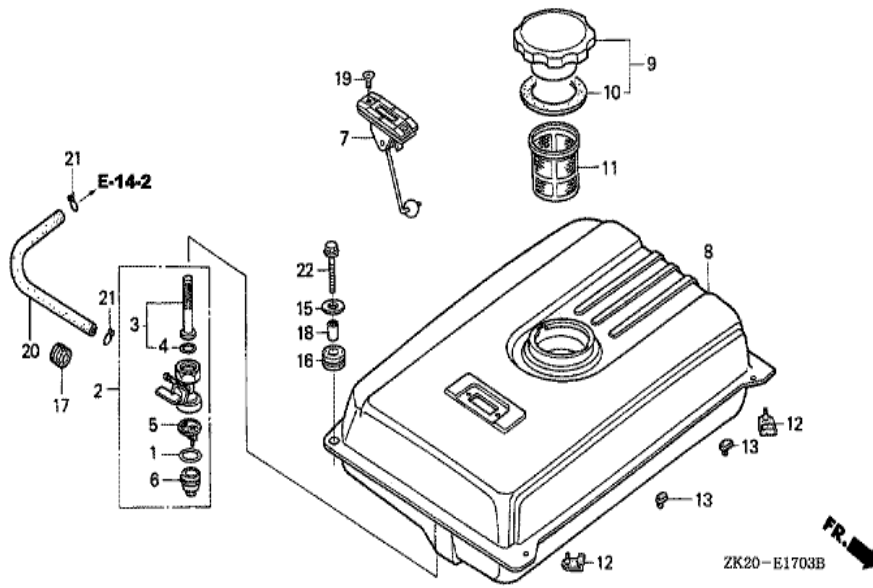
ZK20-E1504D

FR. →

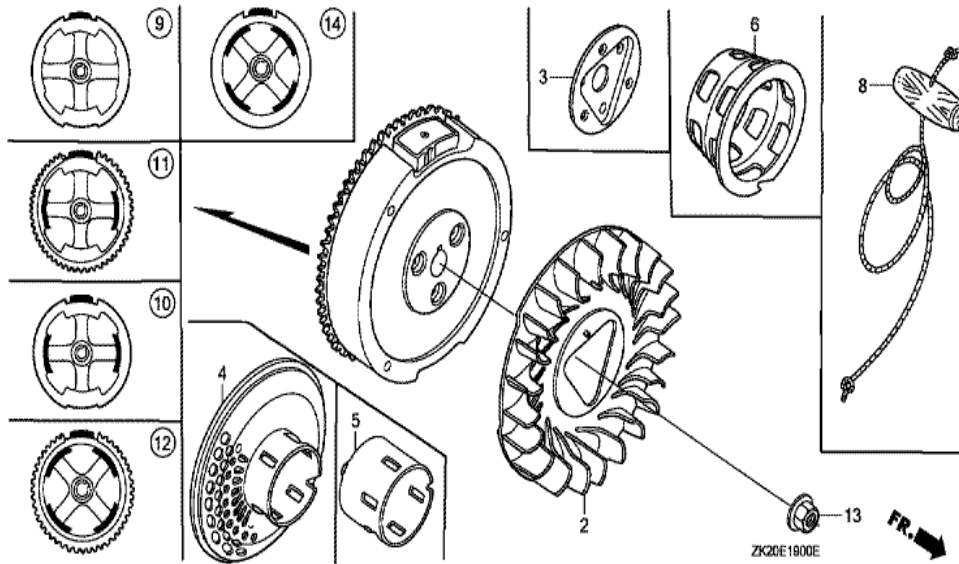
| Ref | Partnumber | Description | GX240K1 | Serial Numbers |
|-----|---------------|--------------------------|---------|----------------|
| 001 | 15721-ZB4-000 | TUBE, BREATHER | 1 | |
| 002 | 17211-899-000 | ELEMENT, AIR CLEANER | 1 | |
| 003 | 17212-ZB4-003 | SEPARATOR, AIR CLEANER | 1 | |
| 004 | 17220-ZB4-003 | CASE COMP., AIR CLEANER | 1 | |
| 005 | 17222-ZB4-000 | STAY, AIR CLEANER | 1 | |
| 006 | 17231-899-000 | COVER COMP., AIR CLEANER | 1 | |
| 008 | 17235-899-000 | CLIP A, AIR CLEANER WIRE | 2 | |
| 009 | 17236-899-000 | CLIP B, AIR CLEANER WIRE | 2 | |
| 010 | 17252-899-000 | SEAL, AIR CLEANER | 1 | |
| 011 | 17367-413-690 | FILTER, DRAIN TUBE | 1 | |
| 014 | 94050-05000 | NUT, FLANGE, 5MM | 6 | |
| 015 | 94050-06000 | NUT, FLANGE, 6MM | 1 | |



| <u>Ref</u> | <u>Partnumber</u> | <u>Description</u> | <u>GX240K1</u> | <u>Serial Numbers</u> |
|------------|-------------------|--------------------------|----------------|-----------------------|
| 003 | 18325-ZB4-000 | PROTECTOR, MUFFLER INNER | 1 | |
| 004 | 18329-ZB4-000 | SEAL, MUFFLER PROTECTOR | 2 | |
| 005 | 18330-ZE2-700 | PIPE, EX. | 1 | |
| 005 | 18330-ZE2-700 | PIPE, EX. | 1 | 3351282 |
| 007 | 18333-ZB4-800 | GASKET, EX. PIPE | 1 | |
| 009 | 18355-ZB4-630 | ARRESTER, SPARK | 1 | |
| 010 | 90002-ZE2-U91 | SCREW, TAPPING, 4X8 | 1 | |
| 011 | 94050-08000 | NUT, FLANGE, 8MM | 4 | 3337057 |
| 011 | 94050-08000 | NUT, FLANGE, 8MM | 4 | |
| 012 | 95701-0601000 | BOLT, FLANGE, 6X10 | 7 | |
| 012 | 95701-0601000 | BOLT, FLANGE, 6X10 | 7 | |
| 013 | 95701-0802000 | BOLT, FLANGE, 8X20 | 2 | |
| 015 | 18310-ZE2-V60 | MUFFLER COMP. (TSURUMI) | 1 | 3337057 |
| <u>Ref</u> | <u>Partnumber</u> | <u>Description</u> | <u>GX240K1</u> | <u>Serial Numbers</u> |
| 016 | 18333-ZE3-800 | GASKET, EX. PIPE | 1 | 4825591 |
| 017 | 18301-ZE2-V60 | COLLAR, 10X16X53 | 1 | |
| 019 | 95701-0601000 | BOLT, FLANGE, 6X10 | 1 | |



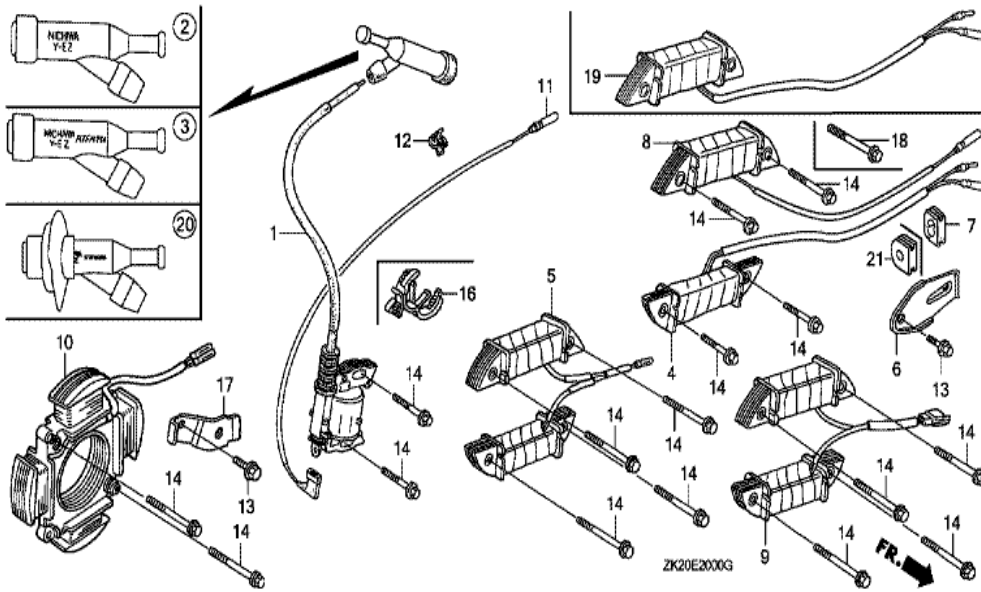
| Ref | Partnumber | Description | GX240K1 | Serial Numbers |
|-----|---------------|---------------------------------------|---------|----------------|
| 017 | 90854-ZB2-000 | RUBBER, FUEL (9X15X10) | 1 | 3502863 |
| 020 | 95001-4515040 | TUBE, FUEL, 4.5X150 (95001-45001-60M) | 1 | |
| 020 | 95001-4515040 | TUBE, FUEL, 4.5X150 (95001-45001-60M) | 1 | 4861096 |
| 021 | 95002-02080 | CLIP, TUBE (B8) | 2 | |



| Ref | Partnumber | Description | GX240K1 | Serial Numbers |
|-----|---------------|------------------------|---------|----------------|
| 002 | 19511-ZE2-000 | FAN, COOLING | 1 | |
| 005 | 28451-ZE2-W01 | PULLEY, STARTER | 1 | |
| 012 | 31100-ZE2-832 | FLYWHEEL COMP. (4POLE) | 1 | |
| 013 | 90201-ZE3-V00 | NUT, SPECIAL, 16MM | 1 | |
| 013 | 90201-ZE3-V00 | NUT, SPECIAL, 16MM | 1 | |



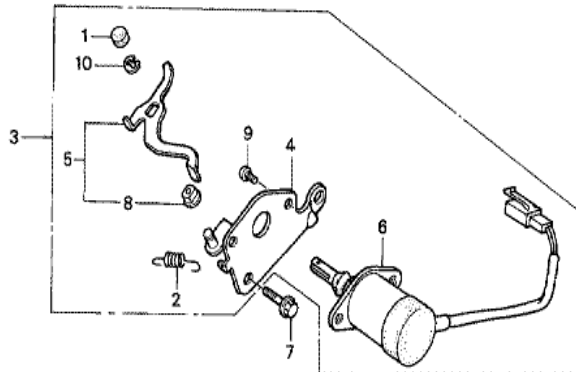
| Ref | Partnumber | Description | GX240K1 | Serial Numbers |
|------------|-------------------|--------------------------------|----------------|-----------------------|
| 001 | 12200-ZH9-000 | HEAD COMP., CYLINDER | 1 | |
| 002 | 12204-ZE2-306 | GUIDE, IN. VALVE (O.S.) | 1 | |
| 003 | 12205-ZE2-305 | GUIDE, EX. VALVE (OS) | 1 | |
| 004 | 12216-ZE2-300 | CLIP, VALVE GUIDE | 1 | |
| 005 | 12251-ZE2-800 | GASKET, CYLINDER HEAD | 1 | |
| 006 | 12310-ZE2-020 | COVER COMP., HEAD | 1 | 3146327 |
| 006 | 12310-ZE2-020 | COVER COMP., HEAD | 1 | |
| 007 | 12391-ZE2-020 | PACKING, HEAD COVER | 1 | |
| 008 | 14775-ZE2-010 | SEAT, VALVE SPRING | 1 | |
| 011 | 90014-ZE2-000 | BOLT, HEAD COVER | 1 | |
| 012 | 90042-ZE2-700 | BOLT, STUD, 8X98 | 2 | |
| 012 | 90042-ZE2-700 | BOLT, STUD, 8X98 | 2 | |
| 013 | 92900-080320E | BOLT, STUD, 8X32 | 2 | |
| <u>Ref</u> | <u>Partnumber</u> | <u>Description</u> | <u>GX240K1</u> | <u>Serial Numbers</u> |
| 013 | 92900-080320E | BOLT, STUD, 8X32 | 2 | |
| 014 | 90441-ZE2-010 | WASHER COMP., HEAD COVER | 1 | |
| 015 | 94301-12200 | DOWEL PIN, 12X20 | 2 | |
| 018 | 95725-1008000 | BOLT, FLANGE, 10X80 | 4 | 4847591 |
| 018 | 95725-1008000 | BOLT, FLANGE, 10X80 | 4 | |
| 019 | 98079-55846 | PLUG, SPARK (BPR5ES) (NGK) | 1 | |
| 019 | 98079-55846 | PLUG, SPARK (BPR5ES) (NGK) | 1 | |
| 019 | 98079-55855 | PLUG, SPARK (W16EPR-U) (DENSO) | 1 | |
| 019 | 98079-55855 | PLUG, SPARK (W16EPR-U) (DENSO) | 1 | |



| Ref | Partnumber | Description | GX240K1 | Serial Numbers |
|-----|---------------|-------------------------------------------|---------|----------------|
| 001 | 30500-ZF6-W02 | COIL ASSY., IGNITION | 1 | |
| 001 | 30500-ZF6-W02 | COIL ASSY., IGNITION | 1 | |
| 003 | 30700-ZE1-013 | CAP ASSY., NOISE SUPPRESSOR (NICHIIWA Y-E | 1 | 3860625 |
| 006 | 31511-ZE2-000 | CLAMPER, CORD | 1 | |
| 007 | 31512-ZE2-000 | GROMMET, CORD | 1 | |
| 011 | 36101-ZE2-701 | CORD, STOP SWITCH (430MM) | 1 | |
| 011 | 36101-ZE2-701 | CORD, STOP SWITCH (430MM) | 1 | |
| 013 | 90013-883-000 | BOLT, FLANGE, 6X12 (CT200) | (1) | |
| 014 | 90015-883-000 | BOLT, FLANGE, 6X28 (CT200) | N | |
| 019 | 31510-ZE1-811 | COIL ASSY., LAMP (12V/25W) | 1 | |

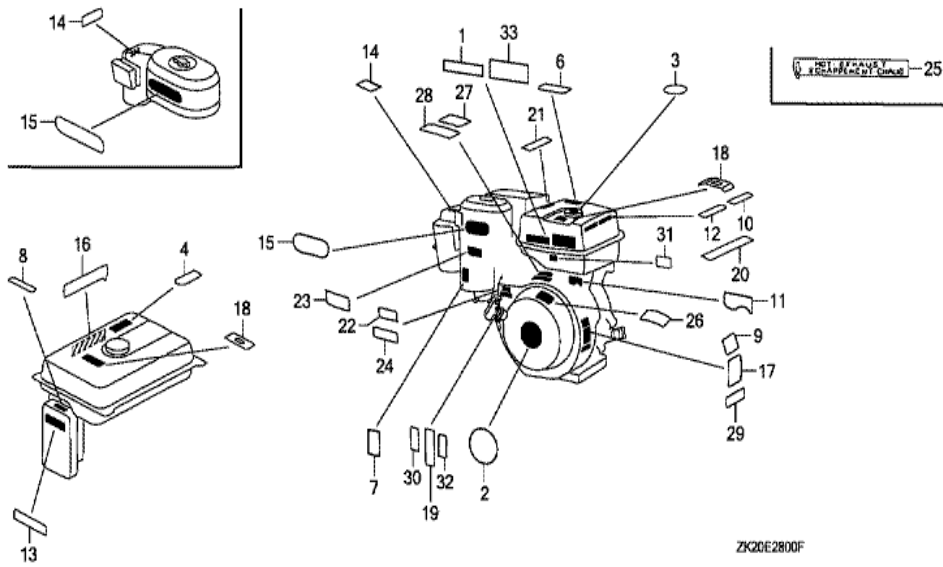


| Ref | Partnumber | Description | GX240K1 | Serial Numbers |
|-----|---------------|------------------------------------------|---------|----------------|
| 001 | 16550-ZE2-700 | ARM COMP., GOVERNOR | 1 | 3337057 |
| 003 | 16555-ZE2-000 | ROD, GOVERNOR | 1 | |
| 003 | 16555-ZE2-000 | ROD, GOVERNOR | 1 | |
| 004 | 16561-ZE2-000 | SPRING, GOVERNOR (L=145.0MM) (WIRE DIAME | 1 | 3156815 |
| 005 | 16562-ZE2-700 | SPRING, THROTTLE RETURN | 1 | 3337057 |
| 005 | 16562-ZE2-700 | SPRING, THROTTLE RETURN | 1 | |
| 009 | 16570-ZE2-711 | CONTROL ASSY. | 1 | 3132286 |
| 009 | 16570-ZE2-711 | CONTROL ASSY. | 1 | |
| 017 | 16584-883-300 | SPRING, CONTROL ADJUSTING | (1) | |
| 023 | 90013-883-000 | BOLT, FLANGE, 6X12 (CT200) | 2 | |
| 024 | 90015-ZE5-010 | BOLT, GOVERNOR ARM | 1 | |
| 031 | 94050-06000 | NUT, FLANGE, 6MM | 1 | |
| 042 | 93500-050350A | SCREW, PAN, 5X35 | 1 | |
| Ref | Partnumber | Description | GX240K1 | Serial Numbers |
| 042 | 93500-050350A | SCREW, PAN, 5X35 | 1 | |

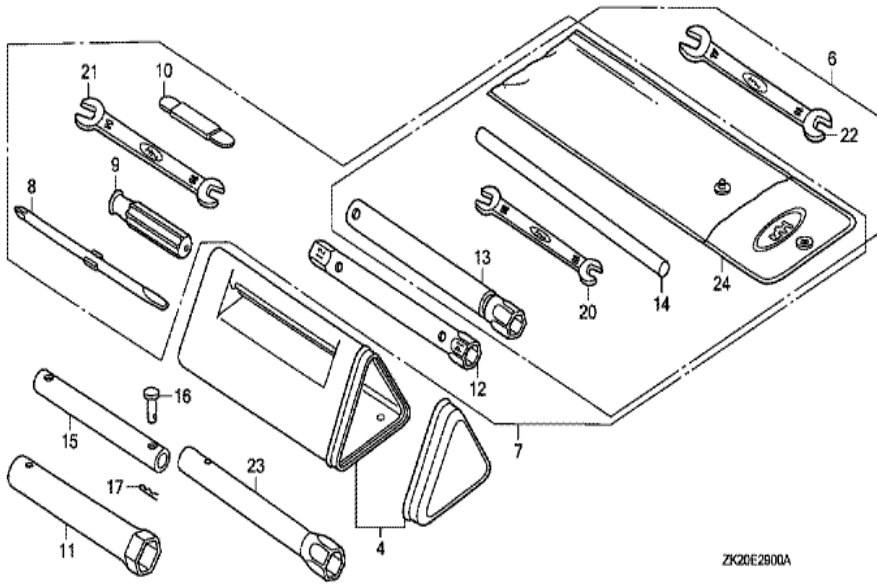


ZK20-E2321A

| Ref | Partnumber | Description | GX240K1 | Serial Numbers |
|-----|---------------|--------------------------------|---------|----------------|
| 001 | 16252-ZA1-010 | CAP, CHOKE LEVER | 1 | 3337057 |
| 001 | 16252-ZA1-010 | CAP, CHOKE LEVER | 1 | |
| 002 | 16268-893-000 | SPRING, CHOKE RETURN | 1 | 3337057 |
| 003 | 16270-ZB4-010 | AUTO-THROTTLE ASSY. | 1 | 3337057 |
| 003 | 16270-ZB4-010 | AUTO-THROTTLE ASSY. | 1 | |
| 004 | 16271-ZB4-000 | STAY, SOLENOID THROTTLE | 1 | 3337057 |
| 005 | 16273-ZB4-000 | LEVER COMP., SOLENOID THROTTLE | 1 | 3337057 |
| 006 | 36160-ZB4-003 | SOLENOID ASSY. | 1 | 3337057 |
| 007 | 90013-883-000 | BOLT, FLANGE, 6X12 (CT200) | 1 | |
| 008 | 91502-ZB4-701 | BUSH, AUTO-THROTTLE LEVER | 1 | 3337057 |
| 009 | 93500-050080A | SCREW, PAN, 5X8 | 2 | 3337057 |
| 010 | 94540-04018 | E-RING, 4MM | 1 | 3278944 |

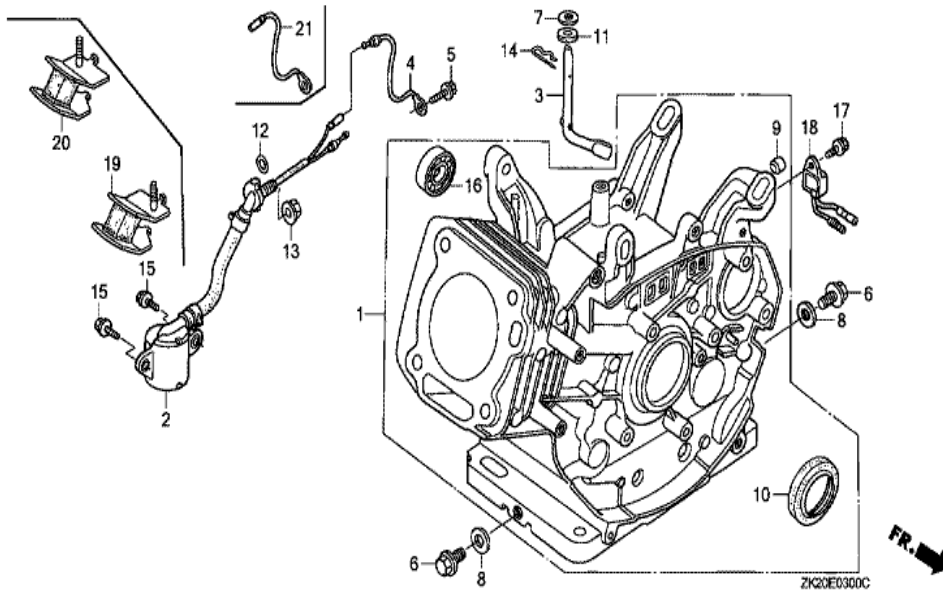


| Ref | Partnumber | Description | GX240K1 | Serial Numbers |
|-----|---------------|----------------------------------------|---------|----------------|
| 002 | 87521-ZE2-W01 | EMBLEM (GX240 HONDA 8.0) | 1 | 3117235 |
| 002 | 87521-ZE2-W01 | EMBLEM (GX240 HONDA 8.0) | 1 | 4192760 |
| 002 | 87521-ZE2-W02 | EMBLEM (GX240 HONDA 8.0) | 1 | 4465232 |
| 002 | 87521-ZE2-W02 | EMBLEM (GX240 HONDA 8.0) | 1 | 4192761 |
| 004 | 87522-883-660 | MARK, CAUTION (ENGLISH/FRENCH/SPANISH) | 1 | |
| 008 | 87528-898-620 | MARK, CHOKE | 1 | |
| 013 | 87533-ZC0-630 | MARK, AIR CLEANER (ENGLISH) | 1 | |
| 013 | 87533-ZC0-630 | MARK, AIR CLEANER (ENGLISH) | 1 | |
| 017 | 87594-ZB4-A00 | MARK, OIL CAUTION | 1 | |



ZK20E2900A

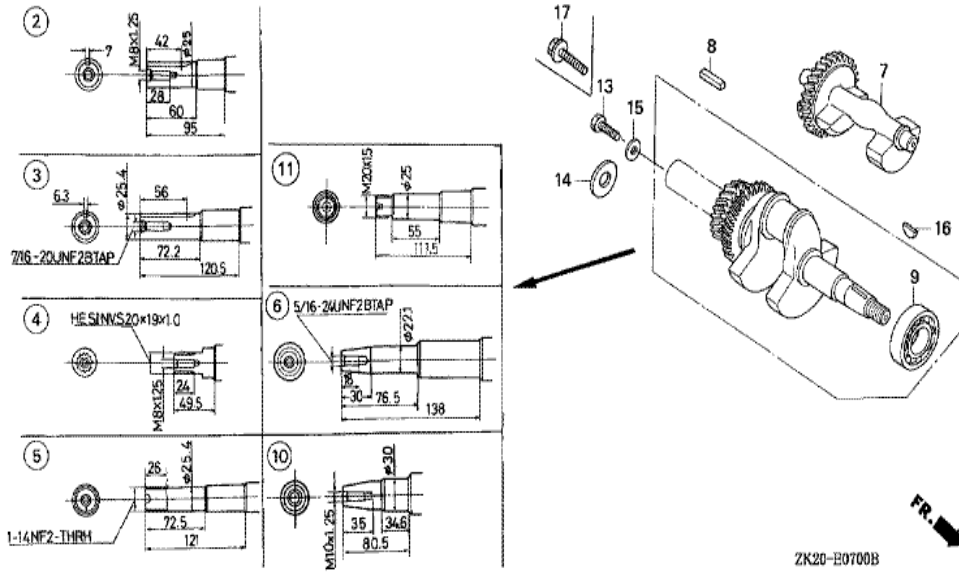
| Ref | Partnumber | Description | GX240K1 | Serial Numbers |
|-----|---------------|--------------|---------|----------------|
| 011 | 89216-ZB4-000 | WRENCH, PLUG | 1 | |



| Ref | Partnumber | Description | GX240K1 | Serial Numbers |
|-----|---------------|--------------------------------|---------|----------------|
| 001 | 12000-ZE2-815 | BARREL ASSY., CYLINDER (ALERT) | 1 | |
| 001 | 12000-ZE2-815 | BARREL ASSY., CYLINDER (ALERT) | 1 | |
| 002 | 15510-ZE2-043 | SWITCH ASSY., OIL LEVEL | 1 | |
| 003 | 16541-ZE2-010 | SHAFT, GOVERNOR ARM | 1 | |
| 006 | 90131-883-000 | BOLT, DRAIN PLUG, 12X15 | 2 | |
| 007 | 90446-KE1-000 | WASHER, 8.2X17X0.8 | 1 | |
| 008 | 94109-12000 | WASHER, DRAIN PLUG, 12MM | 2 | |
| 010 | 91201-890-003 | OIL SEAL, 30X46X8 | 1 | |
| 012 | 91353-671-004 | O-RING, 14MM (NOK) | 1 | |
| 013 | 94050-10000 | NUT, FLANGE, 10MM | 1 | |
| 014 | 94251-10000 | PIN, LOCK, 10MM | 1 | 3332422 |
| 014 | 94251-10000 | PIN, LOCK, 10MM | 1 | |
| 015 | 95701-0601200 | BOLT, FLANGE, 6X12 | 2 | |
| Ref | Partnumber | Description | GX240K1 | Serial Numbers |
| 017 | 90013-883-000 | BOLT, FLANGE, 6X12 (CT200) | (1) | |
| 018 | 34150-ZH7-003 | ALERT UNIT, OIL | (1) | 4853039 |

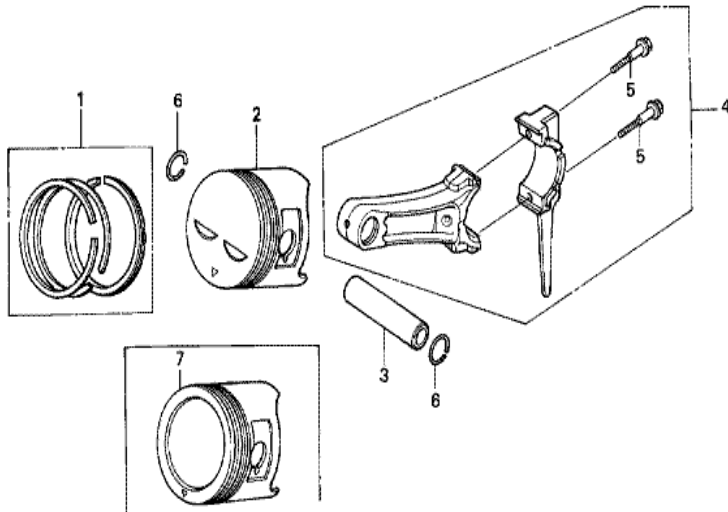


| <u>Ref</u> | <u>Partnumber</u> | <u>Description</u> | <u>GX240K1</u> | <u>Serial Numbers</u> |
|------------|-------------------|----------------------------|----------------|-----------------------|
| 002 | 11381-ZE2-801 | PACKING, CASE COVER | 1 | 3634565 |
| 003 | 11300-ZE2-630 | COVER ASSY., CRANKCASE | 1 | 4211335 |
| 003 | 11300-ZE2-630 | COVER ASSY., CRANKCASE | 1 | 4211335 |
| 003 | 11300-ZE2-631 | COVER ASSY., CRANKCASE | 1 | 4211336 |
| 003 | 11300-ZE2-631 | COVER ASSY., CRANKCASE | 1 | 4211336 |
| 004 | 15600-ZG4-003 | CAP ASSY., OIL FILLER | 1 | 3634565 |
| 005 | 15600-735-003 | CAP ASSY., OIL FILLER | 1 | 3634565 |
| 007 | 15625-ZE1-003 | PACKING, OIL FILLER CAP | 1 | |
| 007 | 15625-ZE1-003 | PACKING, OIL FILLER CAP | 2 | |
| 008 | 16510-ZE2-000 | GOVERNOR ASSY. | 1 | 3634565 |
| 009 | 16511-ZE2-000 | WEIGHT, GOVERNOR | 2 | 3634565 |
| 010 | 16512-ZE2-000 | HOLDER, GOVERNOR WEIGHT | 1 | 3634565 |
| 011 | 16513-ZE2-000 | PIN, GOVERNOR WEIGHT | 2 | 3634565 |
| <u>Ref</u> | <u>Partnumber</u> | <u>Description</u> | <u>GX240K1</u> | <u>Serial Numbers</u> |
| 012 | 16531-Z0A-000 | SLIDER, GOVERNOR | 1 | |
| 012 | 16531-ZE2-000 | SLIDER, GOVERNOR | 1 | 4211335 |
| 012 | 16531-ZE2-000 | SLIDER, GOVERNOR | 1 | 4211335 |
| 014 | 90473-147-000 | WASHER, 6X16 | 1 | 4211336 |
| 014 | 90473-147-000 | WASHER, 6X16 | 1 | 4211336 |
| 015 | 90602-ZE1-000 | CLIP, GOVERNOR HOLDER | 1 | 3634565 |
| 015 | 90602-ZE1-000 | CLIP, GOVERNOR HOLDER | 1 | |
| 016 | 91201-889-003 | OIL SEAL, 30X45X8 | 1 | |
| 017 | 94101-06800 | WASHER, PLAIN, 6MM | 1 | 3634565 |
| 018 | 90701-HC4-000 | DOWEL PIN, 8X12 | 2 | 3634565 |
| 019 | 95701-0803500 | BOLT, FLANGE, 8X35 | 7 | 3634565 |
| 021 | 96100-6206000 | BEARING, RADIAL BALL, 6206 | 1 | 3634565 |



ZK20-E0700B

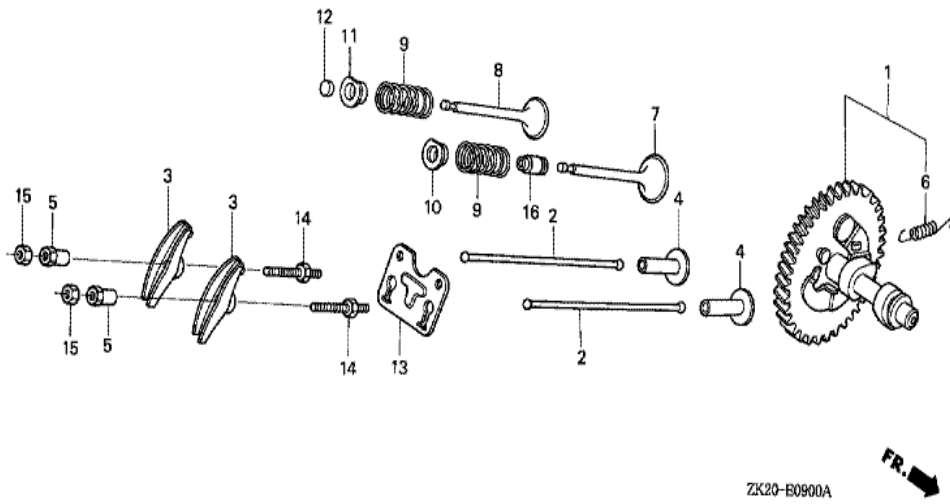
| Ref | Partnumber | Description | GX240K1 | Serial Numbers |
|-----|---------------|------------------------------|---------|----------------|
| 009 | 96100-6206000 | BEARING, RADIAL BALL, 6206 | 1 | |
| 010 | 13310-ZE2-701 | CRANKSHAFT COMP. | 1 | 4766115 |
| 016 | 90741-ZE2-000 | KEY, SPECIAL WOODRUFF, 25X18 | 1 | |
| 016 | 90741-ZE2-000 | KEY, SPECIAL WOODRUFF, 25X18 | 1 | |



ZK20-E0800A



| <u>Ref</u> | <u>Partnumber</u> | <u>Description</u> | <u>GX240K1</u> | <u>Serial Numbers</u> |
|------------|-------------------|-----------------------------------------|----------------|-----------------------|
| 001 | 13010-Z5F-004 | RING SET, PISTON (STD.) (TEIKOKU) | 1 | |
| 001 | 13010-Z5F-004 | RING SET, PISTON (STD.) (TEIKOKU) | 1 | 4869815 |
| 001 | 13010-ZE2-921 | RING SET, PISTON (STD.) (TEIKOKU) | 1 | 4869814 |
| 001 | 13010-ZE2-921 | RING SET, PISTON (STD.) (TEIKOKU) | 1 | |
| 001 | 13010-ZE2-922 | RING SET, PISTON (STD.) (NIPPON) | 1 | |
| 001 | 13010-ZE2-922 | RING SET, PISTON (STD.) (NIPPON) | 1 | |
| 001 | 13011-ZE2-921 | RING SET, PISTON (0.25) (TEIKOKU) | (1) | |
| 001 | 13011-ZE2-921 | RING SET, PISTON (0.25) (TEIKOKU) | (1) | |
| 001 | 13011-ZE2-922 | RING SET, PISTON (0.25) (NIPPON) | (1) | 4081305 |
| 001 | 13011-ZE2-922 | RING SET, PISTON (0.25) (NIPPON) | (1) | |
| 001 | 13012-ZE2-921 | RING SET, PISTON (0.50) (TEIKOKU) | (1) | 4081305 |
| 001 | 13012-ZE2-921 | RING SET, PISTON (0.50) (TEIKOKU) | (1) | |
| 001 | 13012-ZE2-922 | RING SET, PISTON (0.50) (NIPPON) | (1) | 4869814 |
| <u>Ref</u> | <u>Partnumber</u> | <u>Description</u> | <u>GX240K1</u> | <u>Serial Numbers</u> |
| 001 | 13012-ZE2-922 | RING SET, PISTON (0.50) (NIPPON) | (1) | |
| 001 | 13013-ZE2-921 | RING SET, PISTON (0.75) (TEIKOKU) | (1) | |
| 001 | 13013-ZE2-921 | RING SET, PISTON (0.75) (TEIKOKU) | (1) | |
| 001 | 13013-ZE2-922 | RING SET, PISTON (0.75) (NIPPON) | (1) | |
| 001 | 13013-ZE2-922 | RING SET, PISTON (0.75) (NIPPON) | (1) | |
| 002 | 13101-ZE2-W00 | PISTON (STD.) | 1 | 4869814 |
| 002 | 13102-ZE2-W00 | PISTON (0.25) | (1) | |
| 002 | 13102-ZE2-W00 | PISTON (0.25) | (1) | |
| 002 | 13103-ZE2-W00 | PISTON (0.50) | (1) | 4869814 |
| 002 | 13103-ZE2-W00 | PISTON (0.50) | (1) | |
| 002 | 13104-ZE2-W00 | PISTON (0.75) | (1) | |
| 002 | 13104-ZE2-W00 | PISTON (0.75) | (1) | |
| 003 | 13111-ZE2-000 | PIN, PISTON | 1 | |
| 004 | 13200-ZE2-010 | ROD ASSY., CONNECTING (STD.) | 1 | |
| 004 | 13200-ZE2-305 | ROD ASSY., CONNECTING (0.25 UNDER SIZE) | (1) | |
| 004 | 13200-ZE2-305 | ROD ASSY., CONNECTING (0.25 UNDER SIZE) | (1) | |
| 005 | 90001-ZE8-000 | BOLT, CONNECTING ROD | 2 | |
| 006 | 90551-ZE1-000 | CLIP, PISTON PIN, 18MM | 2 | |



ZK20-E0900A



| <u>Ref</u> | <u>Partnumber</u> | <u>Description</u> | <u>GX240K1</u> | <u>Serial Numbers</u> |
|------------|-------------------|----------------------------|----------------|-----------------------|
| 001 | 14100-ZE2-W01 | CAMSHAFT ASSY. | 1 | 3620689 |
| 002 | 14410-ZE2-013 | ROD, PUSH | 2 | |
| 003 | 14431-ZE2-010 | ARM, VALVE ROCKER | 2 | |
| 003 | 14431-ZE2-010 | ARM, VALVE ROCKER | 2 | |
| 004 | 14441-ZE2-000 | LIFTER, VALVE | 2 | |
| 005 | 14451-ZE1-013 | PIVOT, ROCKER ARM | 2 | |
| 006 | 14568-ZE1-000 | SPRING, WEIGHT RETURN | 1 | |
| 007 | 14711-ZE2-000 | VALVE, IN. | 1 | |
| 008 | 14721-ZE2-000 | VALVE, EX. | 1 | |
| 009 | 14751-ZE2-003 | SPRING, VALVE | 2 | |
| 010 | 14771-ZE2-000 | RETAINER, IN. VALVE SPRING | 1 | |
| 011 | 14773-ZE2-000 | RETAINER, EX. VALVE SPRING | 1 | |
| 011 | 14773-ZE2-000 | RETAINER, EX. VALVE SPRING | 1 | |
| <u>Ref</u> | <u>Partnumber</u> | <u>Description</u> | <u>GX240K1</u> | <u>Serial Numbers</u> |
| 012 | 14781-ZE2-000 | ROTATOR, VALVE | 1 | |
| 013 | 14791-ZE2-010 | GUIDE, PUSH ROD | 1 | |
| 014 | 90012-ZE0-010 | BOLT, PIVOT, 8MM | 2 | |
| 015 | 90206-ZE1-000 | NUT, PIVOT ADJUSTING | 2 | |
| 016 | 12209-ZE8-003 | SEAL, VALVE STEM | 1 | 4081305 |