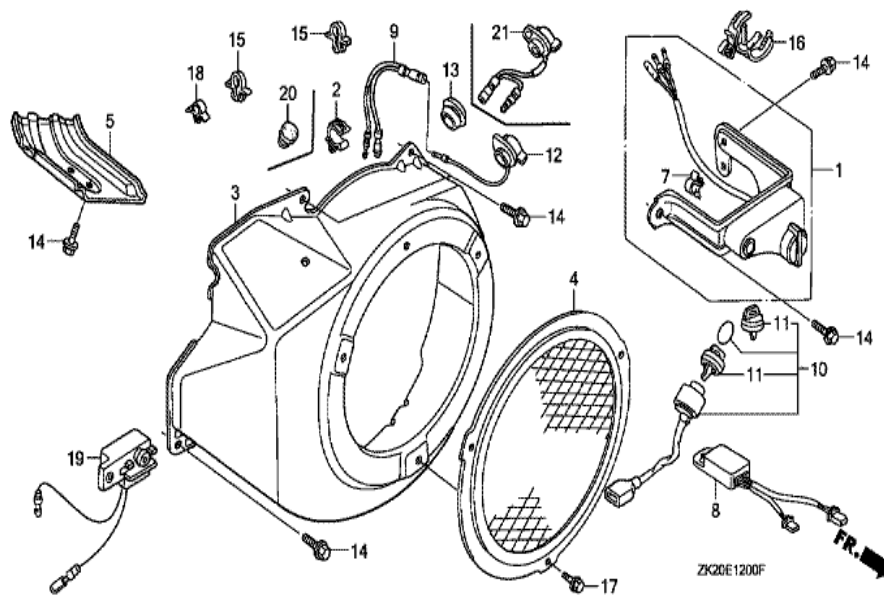


ZK20-E1100A

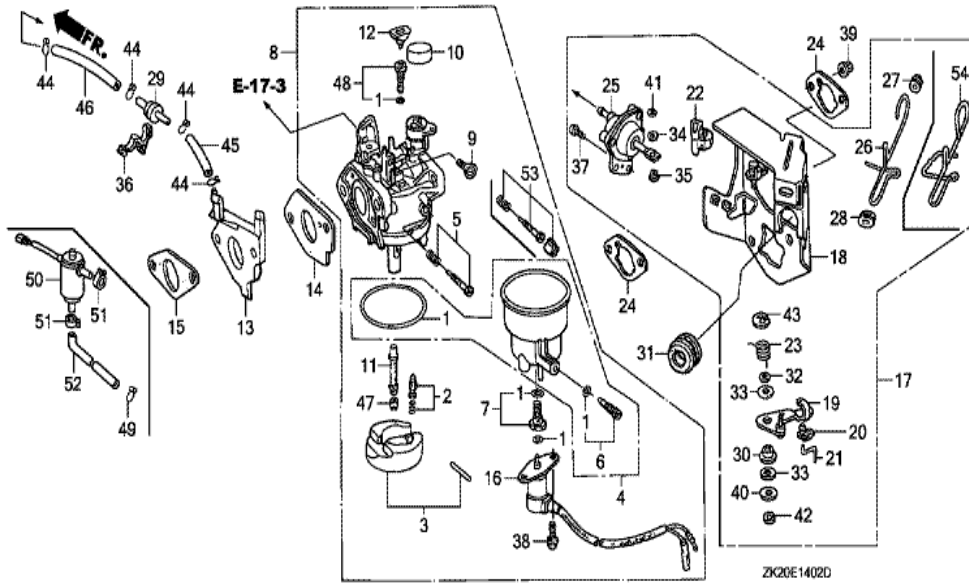


Ref	Partnumber	Description	GX240K1	Serial Numbers
001	28400-ZE2-W01ZA	STARTER ASSY., RECOIL *R8 *	1	
001	28400-ZE2-W01ZB	STARTER ASSY., RECOIL *NH1*	1	
001	28400-ZE2-W01ZB	STARTER ASSY., RECOIL *NH1*	1	
001	28400-ZE2-W01ZJ	STARTER ASSY., RECOIL *T68 *	1	
001	28400-ZE2-W01ZJ	STARTER ASSY., RECOIL *T68 *	1	
001	28400-ZE2-W01ZK	STARTER ASSY., RECOIL *Y131 *	1	4914022
001	28400-ZE2-W01ZK	STARTER ASSY., RECOIL *Y131 *	1	
001	28400-ZE2-W01ZM	STARTER ASSY., RECOIL *T80 *	1	4914022
001	28400-ZE2-W01ZM	STARTER ASSY., RECOIL *T80 *	1	
002	28410-ZE2-W01ZA	CASE COMP., RECOIL STARTER *R8 *	1	
002	28410-ZE2-W01ZB	CASE COMP., RECOIL STARTER *NH1 *	1	
002	28410-ZE2-W01ZB	CASE COMP., RECOIL STARTER *NH1 *	1	
002	28410-ZE2-W01ZJ	CASE COMP., RECOIL STARTER *T68 *	1	

<u>Ref</u>	<u>Partnumber</u>	<u>Description</u>	<u>GX240K1</u>	<u>Serial Numbers</u>
002	28410-ZE2-W01ZJ	CASE COMP., RECOIL STARTER *T68 *	1	
002	28410-ZE2-W01ZK	CASE COMP., RECOIL STARTER *Y131 *	1	
002	28410-ZE2-W01ZK	CASE COMP., RECOIL STARTER *Y131 *	1	
002	28410-ZE2-W01ZM	CASE COMP., RECOIL STARTER *T80 *	1	
002	28410-ZE2-W01ZM	CASE COMP., RECOIL STARTER *T80 *	1	
003	28421-ZE2-W01	PULLEY, RECOIL STARTER	1	
004	28422-ZE2-W01	RATCHET, STARTER	2	
005	28441-ZE2-W01	SPRING, FRICTION	1	
006	28442-ZE2-W01	SPRING, STARTER RETURN	1	
007	28443-ZE2-W01	SPRING, RATCHET	2	
008	28444-ZE2-W01	RETAINER, SPRING	1	
010	28461-ZE2-W02	GRIP, STARTER	1	4914022
011	28462-ZE2-W01	ROPE, RECOIL STARTER	1	3793540
011	28462-ZE2-W01	ROPE, RECOIL STARTER	1	3793540
011	28462-ZE2-W11	ROPE, RECOIL STARTER	1	
011	28462-ZE2-W11	ROPE, RECOIL STARTER	1	3793541
012	28469-ZE2-W01	REINFORCEMENT, GRIP	1	
012	28469-ZE2-W01	REINFORCEMENT, GRIP	1	3793540
013	90004-ZE2-W01	SCREW, CENTER	1	
014	90008-ZE2-003	BOLT, FLANGE, 6X10	3	



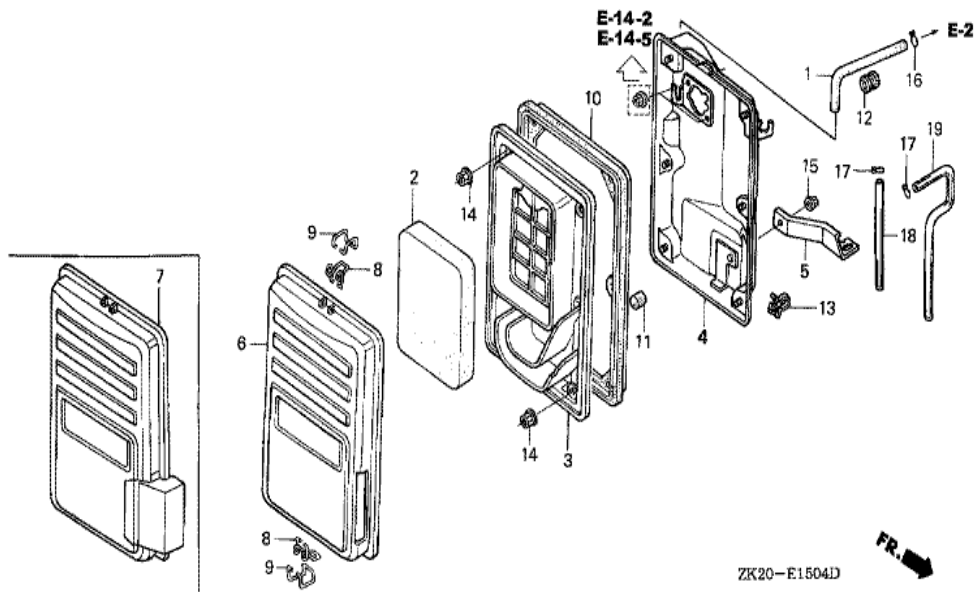
Ref	Partnumber	Description	GX240K1	Serial Numbers
003	19610-ZE2-700ZA	COVER COMP., FAN *R8 *	1	4460278
003	19610-ZE2-700ZA	COVER COMP., FAN *R8 *	1	
003	19610-ZE2-700ZD	COVER COMP., FAN *NH1 *	1	
003	19610-ZE2-700ZD	COVER COMP., FAN *NH1 *	1	
003	19610-ZE2-700ZG	COVER COMP., FAN *T68 *	1	
003	19610-ZE2-700ZG	COVER COMP., FAN *T68 *	1	
003	19610-ZE2-700ZH	COVER COMP., FAN *Y131 *	1	
003	19610-ZE2-700ZH	COVER COMP., FAN *Y131 *	1	
003	19610-ZE2-700ZK	COVER COMP., FAN *T80 *	1	
003	19610-ZE2-700ZK	COVER COMP., FAN *T80 *	1	
005	19631-ZE2-D00	SHROUD	1	
009	32197-ZH8-003	SUB HARNESS	1	3116815 3566259
013	81329-567-020	GROMMET, DRAIN HOLE	1	3116814
Ref	Partnumber	Description	GX240K1	Serial Numbers
013	81329-567-020	GROMMET, DRAIN HOLE	1	
014	90013-883-000	BOLT, FLANGE, 6X12 (CT200)	8	3116814
014	90013-883-000	BOLT, FLANGE, 6X12 (CT200)	6	3116815
015	90654-SA4-003	CLIP, WIRE HARNESS, 6MM (WHITE)	2	
016	90684-ZA0-601	CLIP, HARNESS	1	3132286
016	90684-ZA0-601	CLIP, HARNESS	1	3132286



Ref	Partnumber	Description	GX240K1	Serial Numbers
001	16010-ZE3-701	GASKET SET	1	
002	16011-ZA0-931	VALVE SET, FLOAT	1	
003	16013-ZA0-931	FLOAT SET	1	
004	16015-ZA0-931	CHAMBER SET, FLOAT	1	
005	16016-ZE0-005	SCREW SET, PILOT	1	
005	16016-ZE0-005	SCREW SET, PILOT	1	BE20B A
006	16024-124-761	SCREW SET, DRAIN	1	BE72C B
006	16024-124-761	SCREW SET, DRAIN	1	
007	16028-ZA0-931	SCREW SET	1	
008	16100-ZE2-D00	CARBURETOR ASSY. (BE20B A)	1	3337056
008	16100-ZE2-D00	CARBURETOR ASSY. (BE20B A)	1	3337056
008	16100-ZE2-F00	CARBURETOR ASSY. (BE72C A)	1	3337057 3456694
008	16100-ZE2-F00	CARBURETOR ASSY. (BE72C A)	1	3337057 3456694

<u>Ref</u>	<u>Partnumber</u>	<u>Description</u>	<u>GX240K1</u>	<u>Serial Numbers</u>
008	16100-ZE2-F01	CARBURETOR ASSY. (BE72C B)	1	3456695
008	16100-ZE2-F01	CARBURETOR ASSY. (BE72C B)	1	3456695
009	16124-ZE0-005	SCREW, THROTTLE STOP	1	
010	16148-141-881	CAP, CHOKE DUST	1	
011	16166-ZE2-015	NOZZLE, MAIN	1	
012	16172-ZE3-W10	COLLAR, SETTING	1	BE72C B
012	16172-ZE3-W10	COLLAR, SETTING	1	BE72C A
013	16211-ZE2-700	INSULATOR, CARBURETOR	1	4926161
014	16221-ZA0-800	PACKING, CARBURETOR	1	
015	16223-ZA0-800	PACKING, INSULATOR	1	
016	16230-ZE3-701	VALVE ASSY., SOLENOID	1	4852917
017	16260-ZE2-722	STAY ASSY., MANUAL CHOKE	1	4852917
018	16261-ZE2-702	STAY COMP., SOLENOID	1	
019	16262-ZE2-711	LEVER, CHOKE	1	
020	16263-ZA0-000	JOINT, ROD	1	
021	16264-ZE2-701	ROD, CHOKE	1	
022	16265-ZE2-721	STOPPER, CHOKE ROD	1	
023	16268-ZE2-721	SPRING, MANUAL CHOKE	1	
024	16269-ZA0-800	PACKING, AIR CLEANER	2	
025	16400-ZE2-703	DIAPHRAGM ASSY.	1	4852917
026	16611-ZE2-711	ROD, CHOKE CONTROL	1	
027	16613-893-000	GROMMET, CHOKE ROD	1	
028	16615-893-000	GUIDE, CHOKE ROD	1	
029	36135-ZF6-D41	VALVE, DASHPOT CHECK	1	
029	36135-ZV1-003	VALVE, DASHPOT CHECK	1	3307577
029	36135-ZV1-003	VALVE, DASHPOT CHECK	1	3307577
030	53149-964-003	BUSH, ARM PIVOT	1	
031	88911-MJ3-000	GROMMET, FENDER	1	
032	90431-ZE2-700	WASHER, CHOKE LEVER	1	
033	90432-ZE2-700	SEAL, CHOKE LEVER	2	
034	90433-ZE2-700	WASHER, THRUST, 2.7X8	1	
035	90434-ZE2-700	COLLAR, LEVER	1	
036	90650-SD9-003	CLIP, WIRE HARNESS	1	

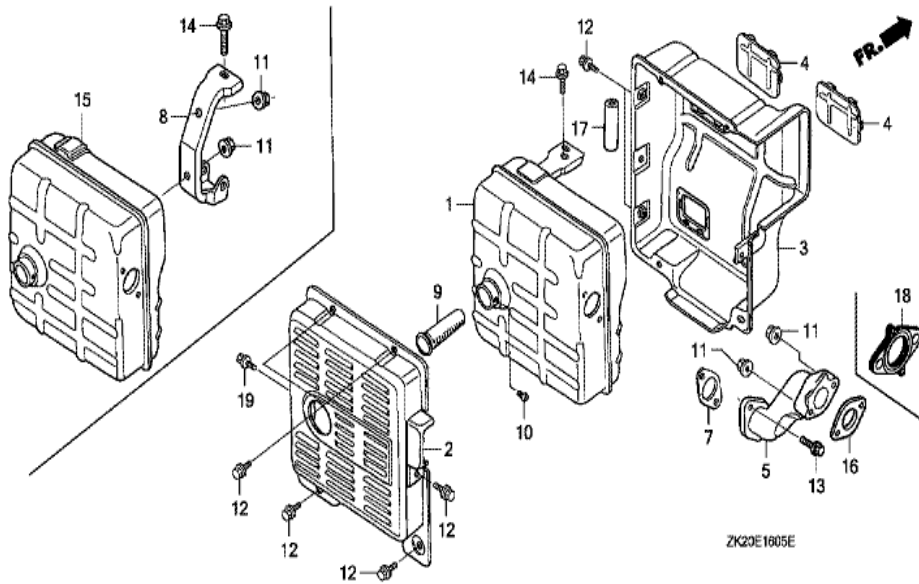
<u>Ref</u>	<u>Partnumber</u>	<u>Description</u>	<u>GX240K1</u>	<u>Serial Numbers</u>
037	93500-050120A	SCREW, PAN, 5X12	2	
038	93892-0501208	SCREW-WASHER, 5X12	2	BE20B B
038	93892-0501208	SCREW-WASHER, 5X12	2	BE20B A
038	93892-0501218	SCREW-WASHER, 5X12	2	BE72C B
038	93892-0501218	SCREW-WASHER, 5X12	2	BE72C A
039	94050-06000	NUT, FLANGE, 6MM	2	
040	94103-05000	WASHER, PLAIN, 5MM	1	
041	94540-02010	E-RING, 2MM	1	
042	94540-04010	E-RING, 4MM	1	
043	94540-07010	E-RING, 7MM	1	
044	95002-02070	CLIP, TUBE (B7)	4	
045	95005-3506510	TUBE, 3.5X65 (95005-35001-10M)	1	
046	95005-3513010	TUBE, 3.5X130 (95005-35001-10M)	1	
046	95005-3513010	TUBE, 3.5X130 (95005-35001-10M)	1	
047	99101-ZF50750	JET, MAIN, #75	(1)	BE20B A
047	99101-ZF50780	JET, MAIN, #78	(1)	BE20B A
047	99101-ZF50780	JET, MAIN, #78	(1)	BE20B A
047	99101-ZF50800	JET, MAIN, #80	(1)	BE20B A
047	99101-ZF50800	JET, MAIN, #80	(1)	BE20B A
047	99101-ZF50820	JET, MAIN, #82	1	BE20B A
047	99101-ZF50820	JET, MAIN, #82	1	BE20B A
047	99101-ZH70750	JET, MAIN, #75	(1)	BE72C A BE72C A
047	99101-ZH70750	JET, MAIN, #75	(1)	BE72C A BE72C A
047	99101-ZH70780	JET, MAIN, #78	(1)	BE72C A BE72C A
047	99101-ZH70780	JET, MAIN, #78	(1)	BE72C A BE72C A
047	99101-ZH70800	JET, MAIN, #80	1	BE72C A BE72C A
047	99101-ZH70800	JET, MAIN, #80	1	BE72C A BE72C A
047	99101-ZH80750	JET, MAIN, #75	(1)	BE72C B
047	99101-ZH80750	JET, MAIN, #75	(1)	BE72C B
047	99101-ZH80780	JET, MAIN, #78	(1)	BE72C B
047	99101-ZH80780	JET, MAIN, #78	(1)	BE72C B
047	99101-ZH80800	JET, MAIN, #80	1	BE72C B
047	99101-ZH80800	JET, MAIN, #80	1	BE72C B
<u>Ref</u>	<u>Partnumber</u>	<u>Description</u>	<u>GX240K1</u>	<u>Serial Numbers</u>
048	99204-ZA00450	JET SET, PILOT, #45	1	BE72C B
048	99204-ZE00450	JET SET, PILOT, #45	1	BE20B B
048	99204-ZE00450	JET SET, PILOT, #45	1	BE20B A
053	16016-ZH7-W01	SCREW SET, PILOT	1	
053	16016-ZH7-W01	SCREW SET, PILOT	1	BE72C A



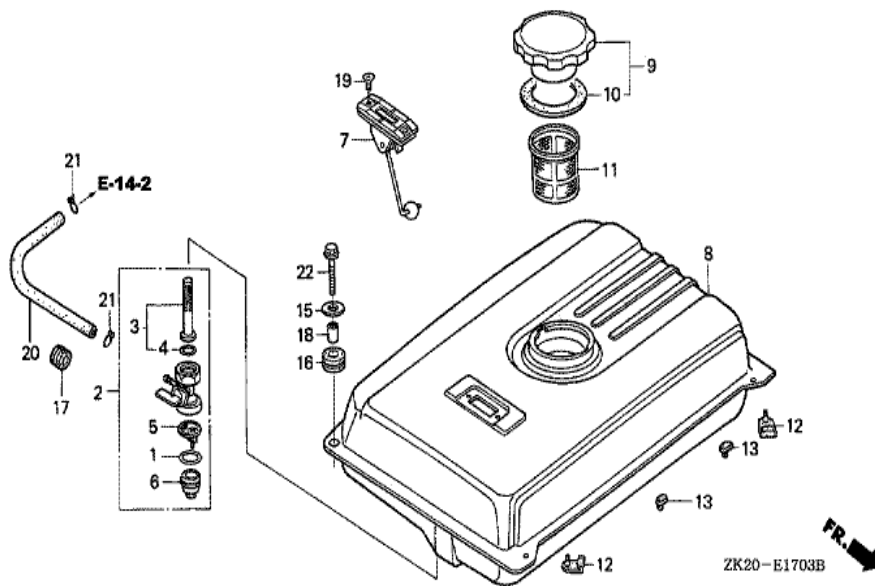
ZK20-E1504D



Ref	Partnumber	Description	GX240K1	Serial Numbers
001	15721-ZB4-000	TUBE, BREATHER	1	
002	17211-899-000	ELEMENT, AIR CLEANER	1	
003	17212-ZB4-003	SEPARATOR, AIR CLEANER	1	
004	17220-ZB4-003	CASE COMP., AIR CLEANER	1	
005	17222-ZB4-000	STAY, AIR CLEANER	1	
006	17231-899-000	COVER COMP., AIR CLEANER	1	
008	17235-899-000	CLIP A, AIR CLEANER WIRE	2	
009	17236-899-000	CLIP B, AIR CLEANER WIRE	2	
010	17252-899-000	SEAL, AIR CLEANER	1	
011	17367-413-690	FILTER, DRAIN TUBE	1	
014	94050-05000	NUT, FLANGE, 5MM	6	
015	94050-06000	NUT, FLANGE, 6MM	1	

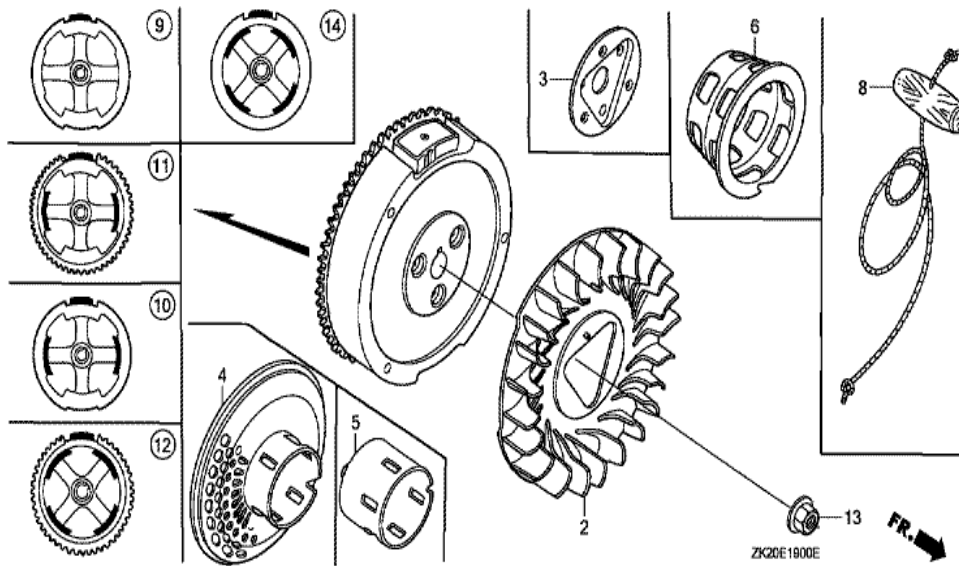


<u>Ref</u>	<u>Partnumber</u>	<u>Description</u>	<u>GX240K1</u>	<u>Serial Numbers</u>
001	18310-ZD1-E31	MUFFLER COMP. (SANKEI)	1	4890237
001	18310-ZD1-E31	MUFFLER COMP. (SANKEI)	1	3337056
002	18320-ZB4-000	PROTECTOR, MUFFLER OUTER	1	
003	18325-ZB4-000	PROTECTOR, MUFFLER INNER	1	
004	18329-ZB4-000	SEAL, MUFFLER PROTECTOR	2	
005	18330-ZE2-700	PIPE, EX.	1	3351282
005	18330-ZE2-710	PIPE, EX.	1	3351281
005	18330-ZE2-710	PIPE, EX.	1	3351281
007	18333-ZB4-800	GASKET, EX. PIPE	1	
008	18338-ZE2-V60	STAY A, MUFFLER (TSURUMI)	1	3337057
008	18338-ZE2-V60	STAY A, MUFFLER (TSURUMI)	1	3337057
009	18355-ZB4-630	ARRESTER, SPARK	1	
010	90002-ZE2-U91	SCREW, TAPPING, 4X8	1	
<u>Ref</u>	<u>Partnumber</u>	<u>Description</u>	<u>GX240K1</u>	<u>Serial Numbers</u>
011	94050-08000	NUT, FLANGE, 8MM	2	3337056
011	94050-08000	NUT, FLANGE, 8MM	4	3337057
011	94050-08000	NUT, FLANGE, 8MM	4	3337057
012	95701-0601000	BOLT, FLANGE, 6X10	7	
012	95701-0601000	BOLT, FLANGE, 6X10	7	
013	95701-0802000	BOLT, FLANGE, 8X20	2	
014	95701-0807000	BOLT, FLANGE, 8X70	1	
015	18310-ZE2-V60	MUFFLER COMP. (TSURUMI)	1	3337057
015	18310-ZE2-V60	MUFFLER COMP. (TSURUMI)	1	3337057
016	18333-ZE3-800	GASKET, EX. PIPE	1	4825591
017	18301-ZE2-V60	COLLAR, 10X16X53	1	
019	95701-0601000	BOLT, FLANGE, 6X10	1	

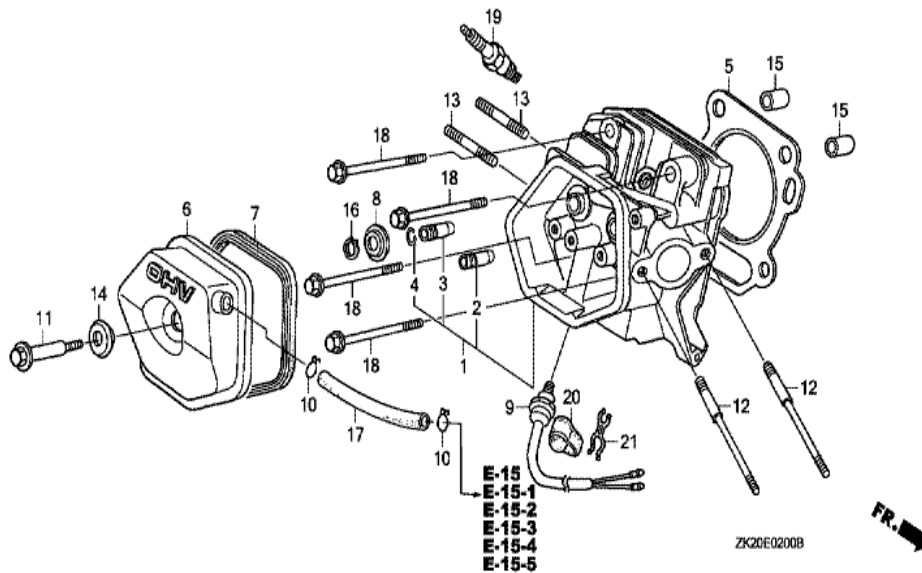


Ref	Partnumber	Description	GX240K1	Serial Numbers
001	16173-001-004	PACKING, FUEL STRAINER CUP	1	
002	16950-ZB4-015	COCK ASSY., FUEL	1	
003	16952-ZB4-005	SCREEN SET, FUEL STRAINER	1	
004	16958-397-771	O-RING, 9.0X1.3	1	
005	16959-471-831	FILTER, CUP	1	
006	16967-GA6-671	CUP, FUEL STRAINER	1	
007	17505-ZB2-003	METER ASSY., FUEL	1	
008	17510-ZB4-000ZA	TANK COMP., FUEL *NH31 *	1	
008	17510-ZB4-000ZB	TANK COMP., FUEL *R8 *	1	4466632
008	17510-ZB4-000ZB	TANK COMP., FUEL *R8 *	1	
008	17510-ZB4-000ZC	TANK COMP., FUEL *NH1 *	1	
008	17510-ZB4-000ZC	TANK COMP., FUEL *NH1 *	1	
008	17510-ZB4-000ZE	TANK COMP., FUEL *T68 *	1	

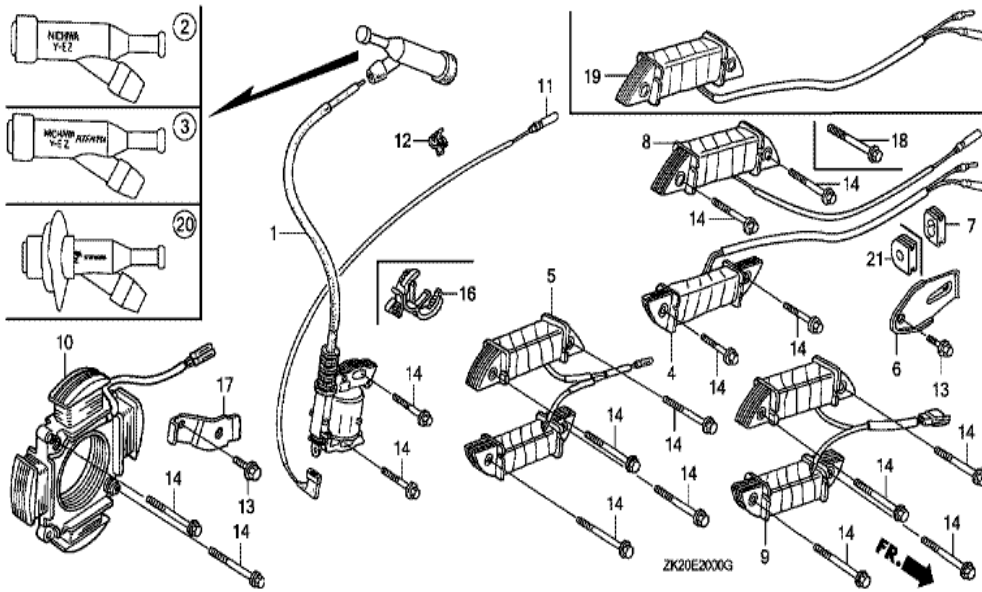
<u>Ref</u>	<u>Partnumber</u>	<u>Description</u>	<u>GX240K1</u>	<u>Serial Numbers</u>
008	17510-ZB4-000ZE	TANK COMP., FUEL *T68 *	1	
008	17510-ZB4-000ZF	TANK COMP., FUEL *Y131 *	1	
008	17510-ZB4-000ZF	TANK COMP., FUEL *Y131 *	1	
009	17620-899-013	CAP COMP., FUEL FILLER	1	
010	17631-899-000	PACKING, FUEL FILLER CAP	1	
011	17670-899-000	FILTER COMP., FUEL	1	
012	50319-ZB2-000	RUBBER, TANK MOUNTING	2	
013	76122-952-000	STOPPER, DISCHARGE GUARD	4	
013	76122-952-000	STOPPER, DISCHARGE GUARD	2	3416473
015	90503-898-000	WASHER, TANK CUSHION	4	
016	90851-898-000	RUBBER, TANK CUSHION	4	
017	90854-ZB2-000	RUBBER, FUEL (9X15X10)	1	3502863
017	90854-ZB2-000	RUBBER, FUEL (9X15X10)	1	3502863
018	91551-898-000	COLLAR, TANK CUSHION	2	
019	93600-050100A	SCREW, FLAT, 5X10	2	
020	95001-4518040	TUBE, FUEL, 4.5X180 (95001-45001-60M)	1	3502863
020	95001-4518040	TUBE, FUEL, 4.5X180 (95001-45001-60M)	1	3502863
020	95001-4526040	TUBE, FUEL, 4.5X260 (95001-450 (95001-45	1	3502862
020	95001-4526040	TUBE, FUEL, 4.5X260 (95001-450 (95001-45	1	3502862
021	95002-02080	CLIP, TUBE (B8)	2	
022	95701-0602200	BOLT, FLANGE, 6X22	2	



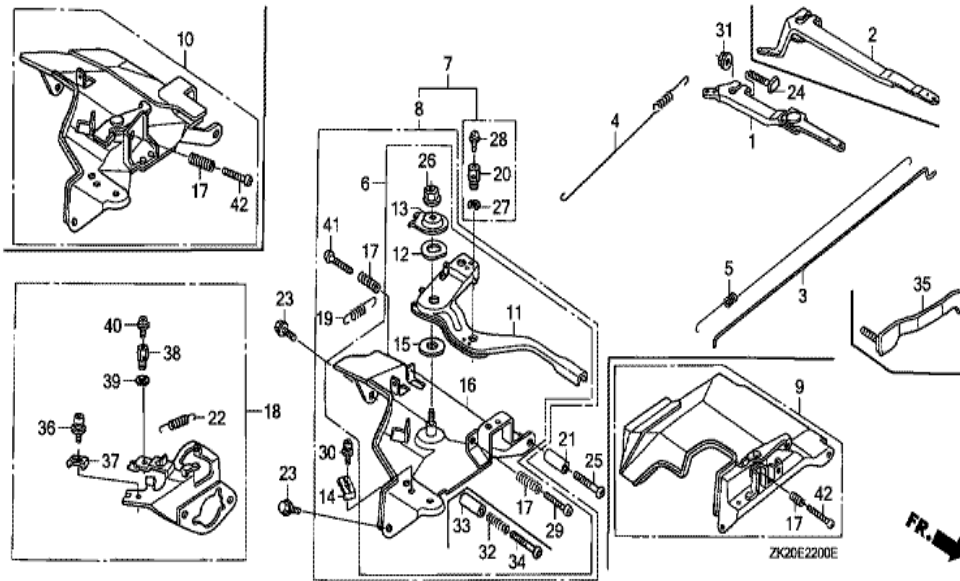
Ref	Partnumber	Description	GX240K1	Serial Numbers
002	19511-ZE2-000	FAN, COOLING	1	
005	28451-ZE2-W01	PULLEY, STARTER	1	
009	31100-ZE2-010	FLYWHEEL COMP.	1	3337056
009	31100-ZE2-010	FLYWHEEL COMP.	1	3337056
012	31100-ZE2-832	FLYWHEEL COMP. (4POLE)	1	
013	90201-ZE3-790	NUT, SPECIAL, 16MM	1	3467138
013	90201-ZE3-790	NUT, SPECIAL, 16MM	1	4835166
013	90201-ZE3-V00	NUT, SPECIAL, 16MM	1	
013	90201-ZE3-V00	NUT, SPECIAL, 16MM	1	3467139



Ref	Partnumber	Description	GX240K1	Serial Numbers
001	12200-ZH9-000	HEAD COMP., CYLINDER	1	
002	12204-ZE2-306	GUIDE, IN. VALVE (O.S.)	1	
003	12205-ZE2-305	GUIDE, EX. VALVE (OS)	1	
004	12216-ZE2-300	CLIP, VALVE GUIDE	1	
005	12251-ZE2-800	GASKET, CYLINDER HEAD	1	
006	12310-ZE2-010	COVER COMP., HEAD	1	3146326
006	12310-ZE2-010	COVER COMP., HEAD	1	3146326
006	12310-ZE2-020	COVER COMP., HEAD	1	3146327
006	12310-ZE2-020	COVER COMP., HEAD	1	3146327
007	12391-ZE2-020	PACKING, HEAD COVER	1	
008	14775-ZE2-010	SEAT, VALVE SPRING	1	
011	90014-ZE2-000	BOLT, HEAD COVER	1	
012	90042-ZE2-700	BOLT, STUD, 8X98	2	
<u>Ref</u>	<u>Partnumber</u>	<u>Description</u>	<u>GX240K1</u>	<u>Serial Numbers</u>
012	90042-ZE2-700	BOLT, STUD, 8X98	2	
013	90047-ZE2-000	BOLT, STUD, 8X47	2	
013	90047-ZE2-000	BOLT, STUD, 8X47	2	3844352
013	92900-080320E	BOLT, STUD, 8X32	2	
013	92900-080320E	BOLT, STUD, 8X32	2	3844353
014	90441-ZE2-010	WASHER COMP., HEAD COVER	1	
015	94301-12200	DOWEL PIN, 12X20	2	
018	95725-1008000	BOLT, FLANGE, 10X80	4	4847591
018	95725-1008000	BOLT, FLANGE, 10X80	4	
019	98079-55846	PLUG, SPARK (BPR5ES) (NGK)	1	
019	98079-55846	PLUG, SPARK (BPR5ES) (NGK)	1	
019	98079-55855	PLUG, SPARK (W16EPR-U) (DENSO)	1	
019	98079-55855	PLUG, SPARK (W16EPR-U) (DENSO)	1	

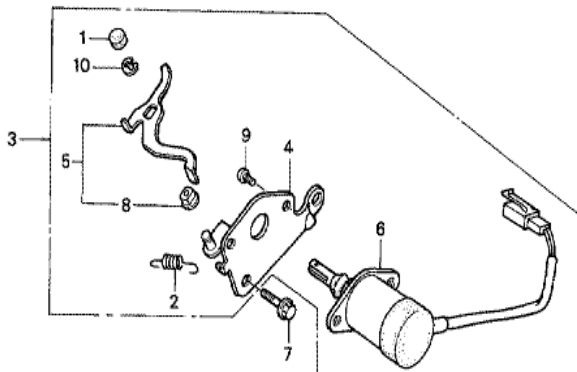


Ref	Partnumber	Description	GX240K1	Serial Numbers
001	30500-ZF6-W02	COIL ASSY., IGNITION	1	
001	30500-ZF6-W02	COIL ASSY., IGNITION	1	
003	30700-ZE1-013	CAP ASSY., NOISE SUPPRESSOR (NICHWA Y-E)	1	3860625
006	31511-ZE2-000	CLAMPER, CORD	1	
007	31512-ZE2-000	GROMMET, CORD	1	
011	36101-ZE2-701	CORD, STOP SWITCH (430MM)	1	
011	36101-ZE2-701	CORD, STOP SWITCH (430MM)	1	
013	90013-883-000	BOLT, FLANGE, 6X12 (CT200)	(1)	
014	90015-883-000	BOLT, FLANGE, 6X28 (CT200)	N	
019	31510-ZE1-811	COIL ASSY., LAMP (12V/25W)	1	



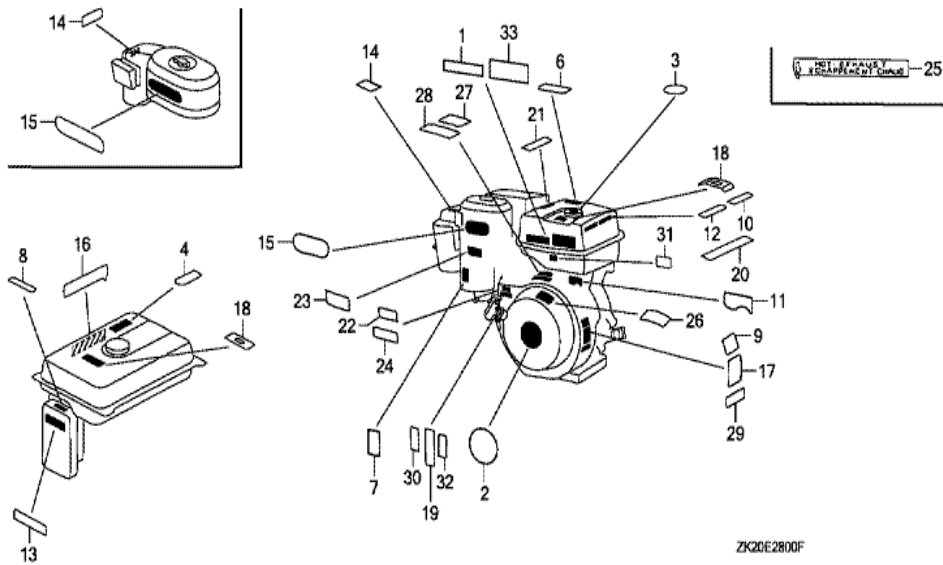
Ref	Partnumber	Description	GX240K1	Serial Numbers	
001	16550-ZE2-700	ARM COMP., GOVERNOR	1	3337057	
001	16550-ZE2-700	ARM COMP., GOVERNOR	1	3337057	
002	16551-ZE2-000	ARM, GOVERNOR	1		
002	16551-ZE2-000	ARM, GOVERNOR	1	3337056	
003	16555-ZE2-000	ROD, GOVERNOR	1		
003	16555-ZE2-000	ROD, GOVERNOR	1		
004	16561-ZE2-000	SPRING, GOVERNOR (L=145.0MM) (WIRE DIAME	1	3156815	
005	16562-ZE2-000	SPRING, THROTTLE RETURN	1	3337056	
005	16562-ZE2-000	SPRING, THROTTLE RETURN	1	3337056	
005	16562-ZE2-700	SPRING, THROTTLE RETURN	1	3337057	
005	16562-ZE2-700	SPRING, THROTTLE RETURN	1	3337057	
009	16570-ZE2-701	CONTROL ASSY.	1	3132285	
009	16570-ZE2-701	CONTROL ASSY.	1	3132285	
	<u>Ref</u>	<u>Partnumber</u>	<u>Description</u>	<u>GX240K1</u>	<u>Serial Numbers</u>
009	16570-ZE2-711	CONTROL ASSY.	1	3132286	
009	16570-ZE2-711	CONTROL ASSY.	1	3132286	
017	16584-883-300	SPRING, CONTROL ADJUSTING	(1)		
023	90013-883-000	BOLT, FLANGE, 6X12 (CT200)	2		
024	90015-ZE5-010	BOLT, GOVERNOR ARM	1		
031	94050-06000	NUT, FLANGE, 6MM	1		
042	93500-050350A	SCREW, PAN, 5X35	1		
042	93500-050350A	SCREW, PAN, 5X35	1		

FR. 

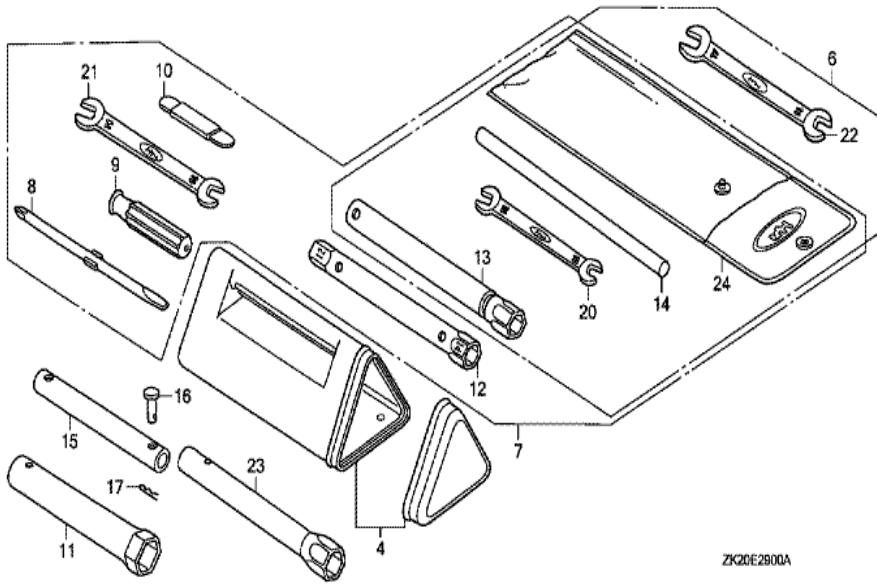


ZK30-E2321A

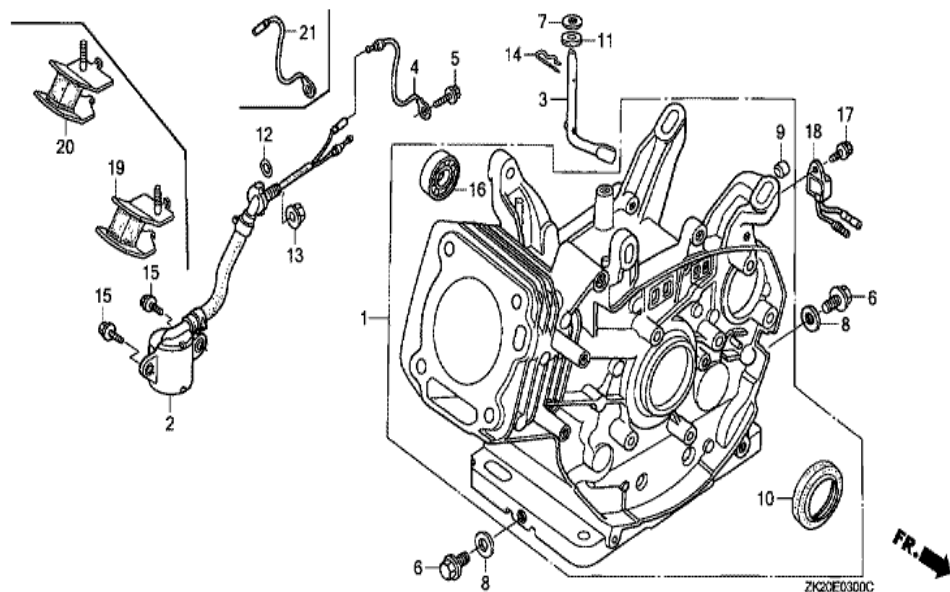
<u>Ref</u>	<u>Partnumber</u>	<u>Description</u>	<u>GX240K1</u>	<u>Serial Numbers</u>
001	16252-ZA1-010	CAP, CHOKE LEVER	1	3337057
001	16252-ZA1-010	CAP, CHOKE LEVER	1	3337057
002	16268-893-000	SPRING, CHOKE RETURN	1	3337057
002	16268-893-000	SPRING, CHOKE RETURN	1	3337057
003	16270-ZB4-010	AUTO-THROTTLE ASSY.	1	3337057
003	16270-ZB4-010	AUTO-THROTTLE ASSY.	1	3337057
004	16271-ZB4-000	STAY, SOLENOID THROTTLE	1	3337057
004	16271-ZB4-000	STAY, SOLENOID THROTTLE	1	3337057
005	16273-ZB4-000	LEVER COMP., SOLENOID THROTTLE	1	3337057
005	16273-ZB4-000	LEVER COMP., SOLENOID THROTTLE	1	3337057
006	36160-ZB4-003	SOLENOID ASSY.	1	3337057
006	36160-ZB4-003	SOLENOID ASSY.	1	3337057
007	90013-883-000	BOLT, FLANGE, 6X12 (CT200)	1	
<u>Ref</u>	<u>Partnumber</u>	<u>Description</u>	<u>GX240K1</u>	<u>Serial Numbers</u>
007	90013-883-000	BOLT, FLANGE, 6X12 (CT200)	1	3337057
008	91502-ZB4-701	BUSH, AUTO-THROTTLE LEVER	1	3337057
008	91502-ZB4-701	BUSH, AUTO-THROTTLE LEVER	1	3337057
009	93500-050080A	SCREW, PAN, 5X8	2	3337057
009	93500-050080A	SCREW, PAN, 5X8	2	3337057
010	94540-04018	E-RING, 4MM	1	3278944
010	94540-04018	E-RING, 4MM	1	3337057



<u>Ref</u>	<u>Partnumber</u>	<u>Description</u>	<u>GX240K1</u>	<u>Serial Numbers</u>
002	87521-ZE2-W01	EMBLEM (GX240 HONDA 8.0)	1	3117235
002	87521-ZE2-W01	EMBLEM (GX240 HONDA 8.0)	1	3117235 4192760
002	87521-ZE2-W02	EMBLEM (GX240 HONDA 8.0)	1	4465232
002	87521-ZE2-W02	EMBLEM (GX240 HONDA 8.0)	1	4192761
004	87522-883-660	MARK, CAUTION (ENGLISH/FRENCH/SPANISH)	1	
008	87528-898-620	MARK, CHOKE	1	
009	87530-ZE2-W10	LABEL, SPECIFICATION (EXTERNAL)	1	3165402
009	87530-ZE2-W10	LABEL, SPECIFICATION (EXTERNAL)	1	3165402
013	87533-ZC0-630	MARK, AIR CLEANER (ENGLISH)	1	
013	87533-ZC0-630	MARK, AIR CLEANER (ENGLISH)	1	
017	87594-ZB4-A00	MARK, OIL CAUTION	1	
020	87565-ZB4-A00	PLATE, FUEL INDICATION	1	
020	87565-ZB4-A00	PLATE, FUEL INDICATION	1	
<u>Ref</u>	<u>Partnumber</u>	<u>Description</u>	<u>GX240K1</u>	<u>Serial Numbers</u>
025	87539-898-620	MARK, EX. CAUTION (ENGLISH/FRENCH)	1	
026	87586-ZH7-W00	LABEL, FUEL CAUTION	2	3337057



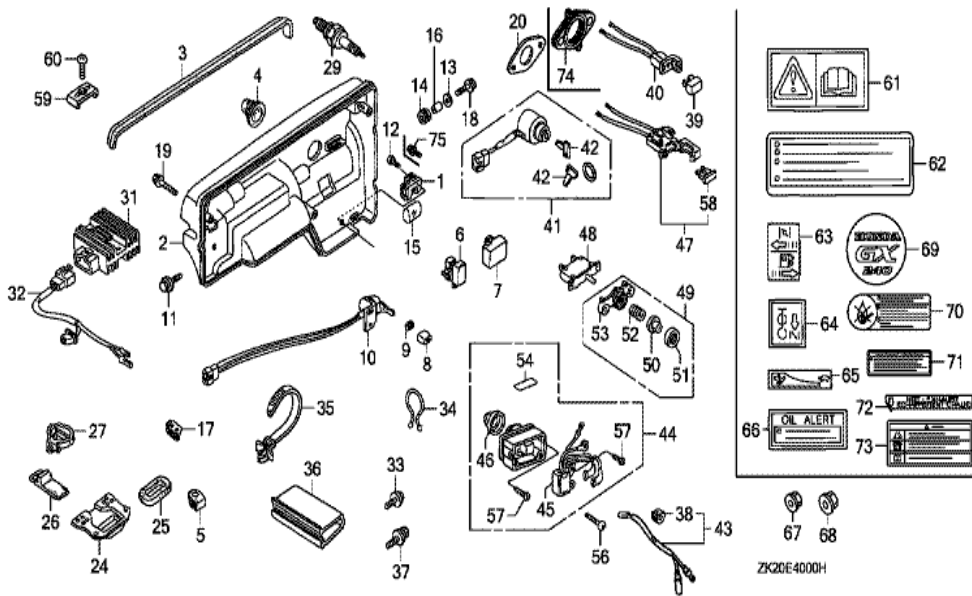
Ref	Partnumber	Description	GX240K1	Serial Numbers
011	89216-ZB4-000	WRENCH, PLUG	1	



ZK20ED300C

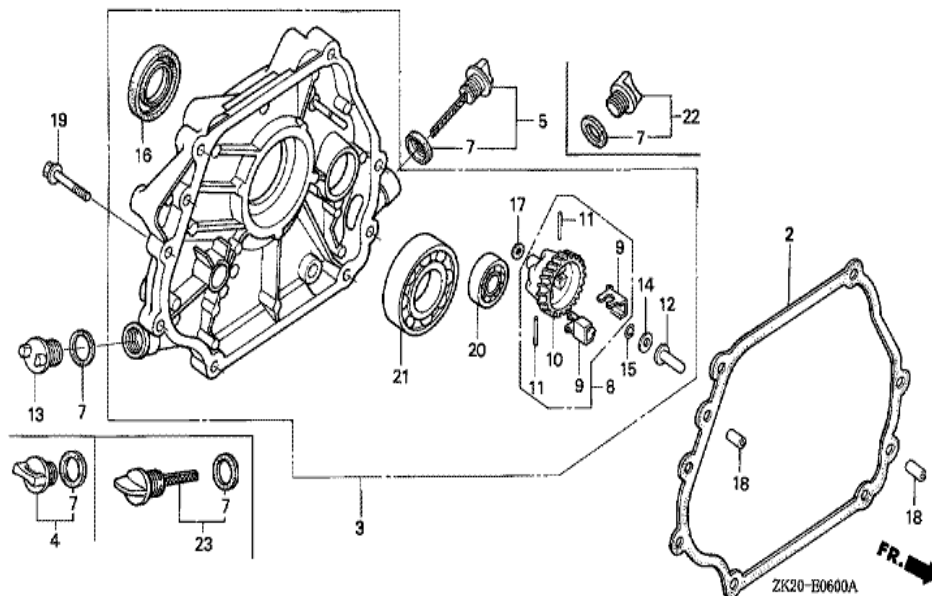
FR. →

Ref	Partnumber	Description	GX240K1	Serial Numbers
001	12000-ZE2-815	BARREL ASSY., CYLINDER (ALERT)	1	
001	12000-ZE2-815	BARREL ASSY., CYLINDER (ALERT)	1	
002	15510-ZE2-043	SWITCH ASSY., OIL LEVEL	1	
003	16541-ZE2-010	SHAFT, GOVERNOR ARM	1	
004	32197-ZE2-003	SUB HARNESS	1	3566259
004	32197-ZE2-003	SUB HARNESS	1	3116815 3566259
005	90013-883-000	BOLT, FLANGE, 6X12 (CT200)	1	3116815 3566259
005	90013-883-000	BOLT, FLANGE, 6X12 (CT200)	1	3116815 3566259
006	90131-883-000	BOLT, DRAIN PLUG, 12X15	2	
007	90446-KE1-000	WASHER, 8.2X17X0.8	1	
008	94109-12000	WASHER, DRAIN PLUG, 12MM	2	
010	91201-890-003	OIL SEAL, 30X46X8	1	
012	91353-671-004	O-RING, 14MM (NOK)	1	
Ref	Partnumber	Description	GX240K1	Serial Numbers
013	94050-10000	NUT, FLANGE, 10MM	1	
014	94251-08000	PIN, LOCK, 8MM	1	3332421
014	94251-10000	PIN, LOCK, 10MM	1	3332422
014	94251-10000	PIN, LOCK, 10MM	1	3332422
015	95701-0601200	BOLT, FLANGE, 6X12	2	
017	90013-883-000	BOLT, FLANGE, 6X12 (CT200)	(1)	
017	90013-883-000	BOLT, FLANGE, 6X12 (CT200)	1	3684579
018	34150-ZH7-003	ALERT UNIT, OIL	(1)	4853039
018	34150-ZH7-003	ALERT UNIT, OIL	1	3684579

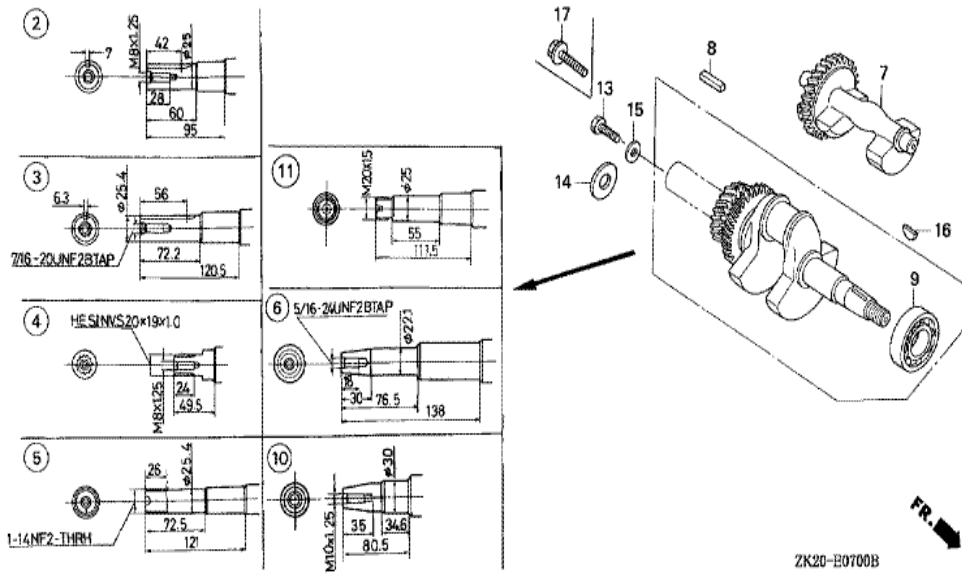


Ref	Partnumber	Description	GX240K1	Serial Numbers
001	30561-ZB4-000	CLIP, WIRE	1	
002	31425-ZB4-010ZA	CASE, CONTROL *R8*	1	3351281
002	31425-ZB4-010ZA	CASE, CONTROL *R8*	1	3351281
003	31462-ZB4-000	RUBBER, CONTROL	1	
003	31462-ZB4-000	RUBBER, CONTROL	1	3351281
004	31482-ZB4-003	GROMMET, MAIN CORD	1	3351281
004	31482-ZB4-003	GROMMET, MAIN CORD	1	3351281
005	31483-ZB4-003	GROMMET, SWITCH CORD	1	3351281
005	31483-ZB4-003	GROMMET, SWITCH CORD	1	3351281
008	32343-892-003	KNOB, COCK LEVER	1	3351281
008	32343-892-003	KNOB, COCK LEVER	1	3351281
009	36106-892-003	BUSH, CONTROL KNOB	1	
009	36106-892-003	BUSH, CONTROL KNOB	1	3351281

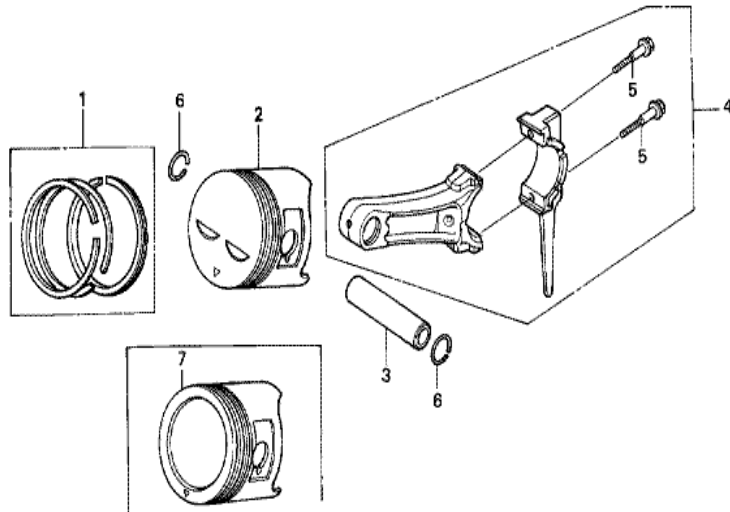
<u>Ref</u>	<u>Partnumber</u>	<u>Description</u>	<u>GX240K1</u>	<u>Serial Numbers</u>
010	36110-ZB4-701	SWITCH ASSY., ENGINE KILL	1	4857592
010	36110-ZB4-701	SWITCH ASSY., ENGINE KILL	1	3351281
011	95801-0802018	BOLT, FLANGE, 8X20	1	3351282
011	95801-0802018	BOLT, FLANGE, 8X20	1	3351282
012	90101-692-000	SCREW, GLOVE BOX	1	3132286 3351281
012	90101-692-000	SCREW, GLOVE BOX	1	3132286 3351281
013	90506-500-000	WASHER, AIR DUCT	3	3351281
013	90506-500-000	WASHER, AIR DUCT	3	3351281
014	90852-898-000	RUBBER, CONTROL BOX	3	3351281
014	90852-898-000	RUBBER, CONTROL BOX	3	3351281
015	91406-ZB4-000	TUBE, CORD	1	
016	91552-898-000	COLLAR, CONTROL BOX	3	3351281
016	91552-898-000	COLLAR, CONTROL BOX	3	3351281
017	91601-ZB4-003	GROMMET, TUBE	1	3351281
017	91601-ZB4-003	GROMMET, TUBE	1	3351281
018	95701-0601800	BOLT, FLANGE, 6X18	3	3351281
019	95701-0604008	BOLT, FLANGE, 6X40	3	3132286 3351281
019	95701-0604008	BOLT, FLANGE, 6X40	3	3132286 3351281
029	98079-56855	PLUG, SPARK (W20EPR-U) (DENSO)	1	
029	98079-56855	PLUG, SPARK (W20EPR-U) (DENSO)	1	
075	90013-883-000	BOLT, FLANGE, 6X12 (CT200)	1	3351282
075	90013-883-000	BOLT, FLANGE, 6X12 (CT200)	1	3351282



<u>Ref</u>	<u>Partnumber</u>	<u>Description</u>	<u>GX240K1</u>	<u>Serial Numbers</u>
002	11381-ZE2-801	PACKING, CASE COVER	1	3634565
003	11300-ZE2-630	COVER ASSY., CRANKCASE	1	4211335
003	11300-ZE2-630	COVER ASSY., CRANKCASE	1	4211335
003	11300-ZE2-631	COVER ASSY., CRANKCASE	1	4211336
003	11300-ZE2-631	COVER ASSY., CRANKCASE	1	4211336
004	15600-ZG4-003	CAP ASSY., OIL FILLER	1	3634565
004	15600-ZG4-003	CAP ASSY., OIL FILLER	1	2901133
005	15600-735-003	CAP ASSY., OIL FILLER	1	3634565
007	15625-ZE1-003	PACKING, OIL FILLER CAP	1	
007	15625-ZE1-003	PACKING, OIL FILLER CAP	2	
008	16510-ZE2-000	GOVERNOR ASSY.	1	3634565
009	16511-ZE2-000	WEIGHT, GOVERNOR	2	3634565
010	16512-ZE2-000	HOLDER, GOVERNOR WEIGHT	1	3634565
<u>Ref</u>	<u>Partnumber</u>	<u>Description</u>	<u>GX240K1</u>	<u>Serial Numbers</u>
011	16513-ZE2-000	PIN, GOVERNOR WEIGHT	2	3634565
012	16531-Z0A-000	SLIDER, GOVERNOR	1	
012	16531-ZE2-000	SLIDER, GOVERNOR	1	4211335
012	16531-ZE2-000	SLIDER, GOVERNOR	1	4211335
013	15620-ZG4-910	CAP, OIL FILLER	1	3210413
014	90473-147-000	WASHER, 6X16	1	3191475
014	90473-147-000	WASHER, 6X16	1	4211336
014	90473-147-000	WASHER, 6X16	1	4211336
015	90602-ZE1-000	CLIP, GOVERNOR HOLDER	1	3634565
015	90602-ZE1-000	CLIP, GOVERNOR HOLDER	1	
016	91201-889-003	OIL SEAL, 30X45X8	1	
017	94101-06800	WASHER, PLAIN, 6MM	1	3634565
018	90701-HC4-000	DOWEL PIN, 8X12	2	3634565
019	95701-0803500	BOLT, FLANGE, 8X35	7	3634565
021	96100-6206000	BEARING, RADIAL BALL, 6206	1	3634565



Ref	Partnumber	Description	GX240K1	Serial Numbers
009	96100-6206000	BEARING, RADIAL BALL, 6206	1	
010	13310-ZE2-701	CRANKSHAFT COMP.	1	4766115
016	90741-ZE2-000	KEY, SPECIAL WOODRUFF, 25X18	1	
016	90741-ZE2-000	KEY, SPECIAL WOODRUFF, 25X18	1	

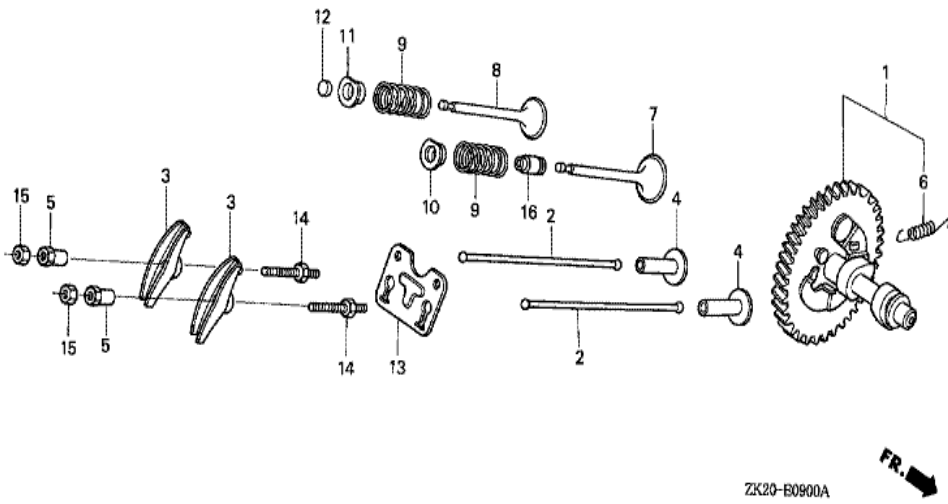


ZK20-E0800A



Ref	Partnumber	Description	GX240K1	Serial Numbers
001	13010-Z5F-004	RING SET, PISTON (STD.) (TEIKOKU)	1	4081305
001	13010-Z5F-004	RING SET, PISTON (STD.) (TEIKOKU)	1	4869815
001	13010-ZE2-013	RING SET, PISTON (STD.) (NIPPON)	1	4081304
001	13010-ZE2-013	RING SET, PISTON (STD.) (NIPPON)	1	4081304
001	13010-ZE2-014	RING SET, PISTON (STD.) (TEIKOKU)	1	4081304
001	13010-ZE2-014	RING SET, PISTON (STD.) (TEIKOKU)	1	4081304
001	13010-ZE2-921	RING SET, PISTON (STD.) (TEIKOKU)	1	4869814
001	13010-ZE2-921	RING SET, PISTON (STD.) (TEIKOKU)	1	4081305
001	13010-ZE2-922	RING SET, PISTON (STD.) (NIPPON)	1	4081305
001	13010-ZE2-922	RING SET, PISTON (STD.) (NIPPON)	1	4081305
001	13011-ZE2-013	RING SET, PISTON (0.25) (NIPPON)	(1)	4081304
001	13011-ZE2-013	RING SET, PISTON (0.25) (NIPPON)	(1)	4081304
001	13011-ZE2-014	RING SET, PISTON (0.25) (TEIKOKU)	(1)	

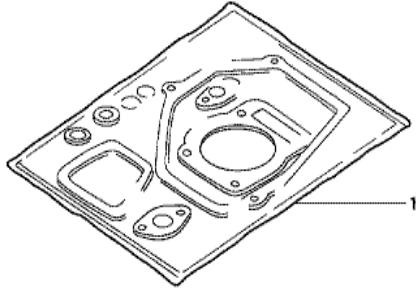
<u>Ref</u>	<u>Partnumber</u>	<u>Description</u>	<u>GX240K1</u>	<u>Serial Numbers</u>
001	13011-ZE2-014	RING SET, PISTON (0.25) (TEIKOKU)	(1)	4081304
001	13011-ZE2-921	RING SET, PISTON (0.25) (TEIKOKU)	(1)	
001	13011-ZE2-921	RING SET, PISTON (0.25) (TEIKOKU)	(1)	4081305
001	13011-ZE2-922	RING SET, PISTON (0.25) (NIPPON)	(1)	4081305
001	13011-ZE2-922	RING SET, PISTON (0.25) (NIPPON)	(1)	4081305
001	13012-ZE2-013	RING SET, PISTON (0.50) (NIPPON)	(1)	
001	13012-ZE2-013	RING SET, PISTON (0.50) (NIPPON)	(1)	4081304
001	13012-ZE2-014	RING SET, PISTON (0.50) (TEIKOKU)	(1)	
001	13012-ZE2-014	RING SET, PISTON (0.50) (TEIKOKU)	(1)	4081304
001	13012-ZE2-921	RING SET, PISTON (0.50) (TEIKOKU)	(1)	4081305
001	13012-ZE2-921	RING SET, PISTON (0.50) (TEIKOKU)	(1)	4081305
001	13012-ZE2-922	RING SET, PISTON (0.50) (NIPPON)	(1)	4869814
001	13012-ZE2-922	RING SET, PISTON (0.50) (NIPPON)	(1)	4081305
001	13013-ZE2-013	RING SET, PISTON (0.75) (NIPPON)	(1)	
001	13013-ZE2-013	RING SET, PISTON (0.75) (NIPPON)	(1)	4081304
001	13013-ZE2-014	RING SET, PISTON (0.75) (TEIKOKU)	(1)	4081304
001	13013-ZE2-014	RING SET, PISTON (0.75) (TEIKOKU)	(1)	4081304
001	13013-ZE2-921	RING SET, PISTON (0.75) (TEIKOKU)	(1)	
001	13013-ZE2-921	RING SET, PISTON (0.75) (TEIKOKU)	(1)	4081305
001	13013-ZE2-922	RING SET, PISTON (0.75) (NIPPON)	(1)	
001	13013-ZE2-922	RING SET, PISTON (0.75) (NIPPON)	(1)	4081305
002	13101-ZE2-W00	PISTON (STD.)	1	4869814
002	13102-ZE2-W00	PISTON (0.25)	(1)	
002	13102-ZE2-W00	PISTON (0.25)	(1)	
002	13103-ZE2-W00	PISTON (0.50)	(1)	4869814
002	13103-ZE2-W00	PISTON (0.50)	(1)	
002	13104-ZE2-W00	PISTON (0.75)	(1)	
002	13104-ZE2-W00	PISTON (0.75)	(1)	
003	13111-ZE2-000	PIN, PISTON	1	
004	13200-ZE2-010	ROD ASSY., CONNECTING (STD.)	1	
004	13200-ZE2-305	ROD ASSY., CONNECTING (0.25 UNDER SIZE)	(1)	
004	13200-ZE2-305	ROD ASSY., CONNECTING (0.25 UNDER SIZE)	(1)	
005	90001-ZE8-000	BOLT, CONNECTING ROD	2	
<u>Ref</u>	<u>Partnumber</u>	<u>Description</u>	<u>GX240K1</u>	<u>Serial Numbers</u>
006	90551-ZE1-000	CLIP, PISTON PIN, 18MM	2	



ZK20-B0900A



Ref	Partnumber	Description	GX240K1	Serial Numbers
001	14100-ZE2-W00	CAMSHAFT ASSY.	1	3620688
001	14100-ZE2-W01	CAMSHAFT ASSY.	1	3620689
001	14100-ZE2-W01	CAMSHAFT ASSY.	1	3620689
001	14100-ZH9-000	CAMSHAFT ASSY.	1	
001	14100-ZH9-000	CAMSHAFT ASSY.	1	3337056
002	14410-ZE2-013	ROD, PUSH	2	
003	14431-ZE2-010	ARM, VALVE ROCKER	2	
003	14431-ZE2-010	ARM, VALVE ROCKER	2	
004	14441-ZE2-000	LIFTER, VALVE	2	
005	14451-ZE1-013	PIVOT, ROCKER ARM	2	
006	14568-ZE1-000	SPRING, WEIGHT RETURN	1	
007	14711-ZE2-000	VALVE, IN.	1	
008	14721-ZE2-000	VALVE, EX.	1	
Ref	Partnumber	Description	GX240K1	Serial Numbers
009	14751-ZE2-003	SPRING, VALVE	2	
010	14771-ZE2-000	RETAINER, IN. VALVE SPRING	1	
011	14773-ZE2-000	RETAINER, EX. VALVE SPRING	1	
011	14773-ZE2-000	RETAINER, EX. VALVE SPRING	1	
012	14781-ZE2-000	ROTATOR, VALVE	1	
013	14791-ZE2-010	GUIDE, PUSH ROD	1	
014	90012-ZE0-010	BOLT, PIVOT, 8MM	2	
015	90206-ZE1-000	NUT, PIVOT ADJUSTING	2	
016	12209-ZE8-003	SEAL, VALVE STEM	1	4081305
016	12209-ZE8-003	SEAL, VALVE STEM	1	4081305



HENG-X0003

<u>Ref</u>	<u>Partnumber</u>	<u>Description</u>	<u>GX240K1</u>	<u>Serial Numbers</u>	
001	061A1-ZE2-040	GASKET KIT	1		4045100
001	061A1-ZE2-040	GASKET KIT	1	3146327	4045100
001	061C1-ZE2-010	GASKET KIT	1		3146326
001	061C1-ZE2-010	GASKET KIT	1		3146326