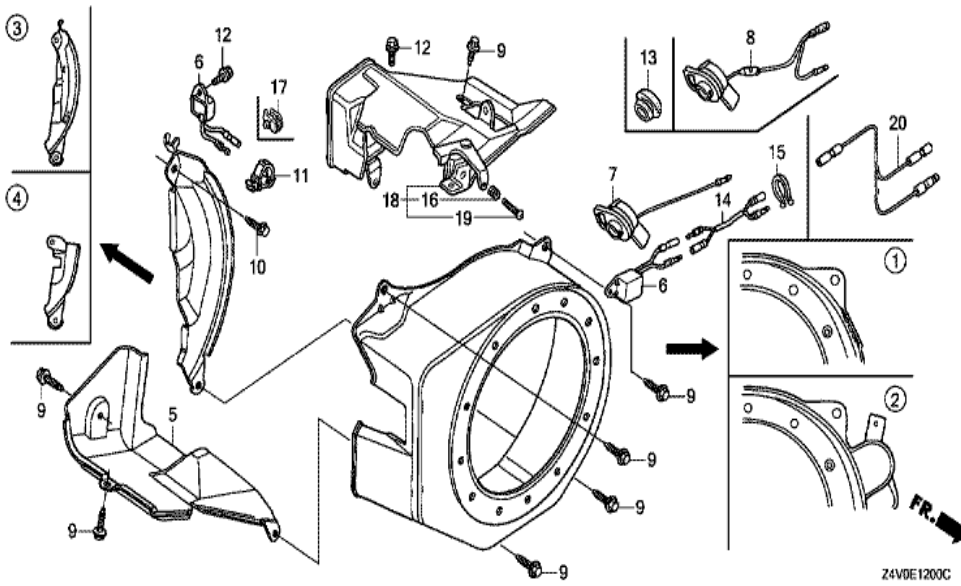


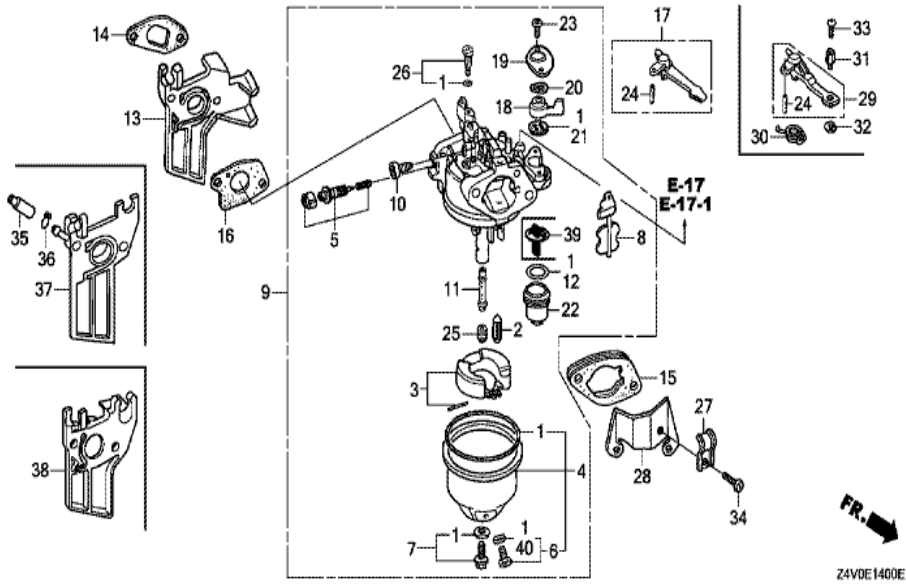
| Ref | Partnumber      | Description                       | GX200UT | Serial Numbers |
|-----|-----------------|-----------------------------------|---------|----------------|
| 001 | 28400-ZH8-023YA | STARTER ASSY., RECOIL *R280 *     | 1       |                |
| 001 | 28400-ZH8-023YA | STARTER ASSY., RECOIL *R280 *     | 1       |                |
| 001 | 28400-ZH8-023YA | STARTER ASSY., RECOIL *R280 *     | 1       | 1517328        |
| 001 | 28400-ZH8-023YA | STARTER ASSY., RECOIL *R280 *     | 1       | 1517328        |
| 001 | 28400-ZH8-023ZB | STARTER ASSY., RECOIL *NH1 *      | 1       |                |
| 001 | 28400-ZH8-023ZB | STARTER ASSY., RECOIL *NH1 *      | 1       |                |
| 001 | 28400-ZH8-023ZB | STARTER ASSY., RECOIL *NH1 *      | 1       | 1531504        |
| 001 | 28400-ZH8-023ZB | STARTER ASSY., RECOIL *NH1 *      | 1       | 1531504        |
| 001 | 28400-ZH8-033YA | STARTER ASSY., RECOIL *R280*      | 1       | 1517329        |
| 001 | 28400-ZH8-033YA | STARTER ASSY., RECOIL *R280*      | 1       | 1517329        |
| 001 | 28400-ZH8-033ZB | STARTER ASSY., RECOIL *NH1*       | 1       | 1531505        |
| 001 | 28400-ZH8-033ZB | STARTER ASSY., RECOIL *NH1*       | 1       | 1531505        |
| 002 | 28405-ZL0-000ZA | SPACER, RECOIL STARTER MOUNTING * | 1       |                |

| <u>Ref</u> | <u>Partnumber</u> | <u>Description</u>                 | <u>GX200UT</u> | <u>Serial Numbers</u> |
|------------|-------------------|------------------------------------|----------------|-----------------------|
| 002        | 28405-ZL0-000ZC   | SPACER, RECOIL STARTER MOUNTING *  | 1              |                       |
| 002        | 28405-ZL0-000ZC   | SPACER, RECOIL STARTER MOUNTING *  | 1              |                       |
| 003        | 28410-ZH8-003YA   | CASE COMP., RECOIL STARTER *R280 * | 1              |                       |
| 003        | 28410-ZH8-003YA   | CASE COMP., RECOIL STARTER *R280 * | 1              |                       |
| 003        | 28410-ZH8-003ZB   | CASE COMP., RECOIL STARTER *NH1 *  | 1              |                       |
| 003        | 28410-ZH8-003ZB   | CASE COMP., RECOIL STARTER *NH1 *  | 1              |                       |
| 003        | 28410-ZH8-003ZB   | CASE COMP., RECOIL STARTER *NH1 *  | 1              |                       |
| 004        | 28421-ZH8-801     | REEL, RECOIL STARTER (BLACK)       | 1              |                       |
| 004        | 28421-ZH8-801     | REEL, RECOIL STARTER (BLACK)       | 1              |                       |
| 005        | 28422-ZH8-801     | RATCHET, STARTER                   | 2              |                       |
| 006        | 28431-ZH8-801     | PLATE, FRICTION                    | 1              |                       |
| 007        | 28433-ZH8-801     | GUIDE, RATCHET                     | 1              |                       |
| 008        | 28441-ZH8-801     | SPRING, FRICTION                   | 1              |                       |
| 009        | 28442-ZH8-003     | SPRING, RECOIL STARTER             | 1              |                       |
| 010        | 28443-ZH8-801     | SPRING, RETURN                     | 2              |                       |
| 011        | 28461-ZH8-003     | GRIP, STARTER                      | 1              | 1517328               |
| 011        | 28461-ZH8-013     | KNOB, RECOIL STARTER               | 1              | 1517329               |
| 012        | 28462-ZH8-003     | ROPE, RECOIL STARTER               | 1              |                       |
| 014        | 90003-ZH8-801     | SCREW, SETTING                     | 1              |                       |
| 015        | 95701-0601800     | BOLT, FLANGE, 6X18                 | 3              |                       |



Z4VDE1200C

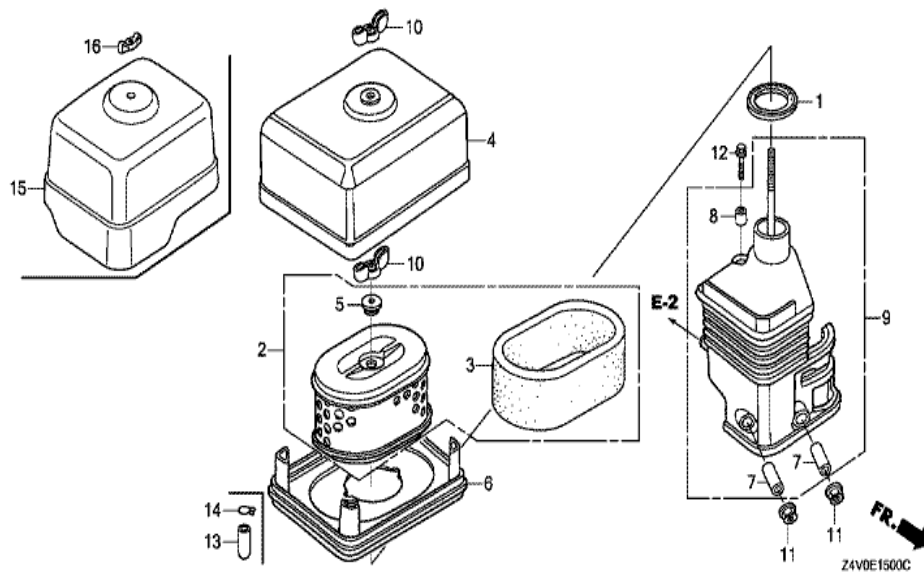
| <u>Ref</u> | <u>Partnumber</u> | <u>Description</u>         | <u>GX200UT</u> | <u>Serial Numbers</u> |
|------------|-------------------|----------------------------|----------------|-----------------------|
| 001        | 19610-ZL0-000ZA   | COVER COMP., FAN *NH246 *  | 1              |                       |
| 001        | 19610-ZL0-000ZA   | COVER COMP., FAN *NH246 *  | 1              |                       |
| 001        | 19610-ZL0-000ZA   | COVER COMP., FAN *NH246 *  | 1              |                       |
| 001        | 19610-ZL0-000ZA   | COVER COMP., FAN *NH246 *  | 1              |                       |
| 001        | 19610-ZL0-000ZJ   | COVER COMP., FAN *R280 *   | 1              |                       |
| 001        | 19610-ZL0-000ZJ   | COVER COMP., FAN *R280 *   | 1              |                       |
| 001        | 19610-ZL0-000ZJ   | COVER COMP., FAN *R280 *   | 1              |                       |
| 001        | 19610-ZL0-000ZJ   | COVER COMP., FAN *R280 *   | 1              |                       |
| 003        | 19612-ZH8-000     | PLATE, SIDE (STD.)         | 1              |                       |
| 003        | 19612-ZH8-000     | PLATE, SIDE (STD.)         | 1              |                       |
| 003        | 19612-ZH8-000     | PLATE, SIDE (STD.)         | 1              |                       |
| 005        | 19630-ZH8-000     | SHROUD COMP.               | 1              |                       |
| 007        | 35120-Z0T-801     | SWITCH ASSY., ENGINE STOP  | 1              |                       |
| <u>Ref</u> | <u>Partnumber</u> | <u>Description</u>         | <u>GX200UT</u> | <u>Serial Numbers</u> |
| 009        | 90013-883-000     | BOLT, FLANGE, 6X12 (CT200) | 6              |                       |
| 010        | 90022-888-010     | BOLT, FLANGE, 6X20 (CT200) | 1              |                       |



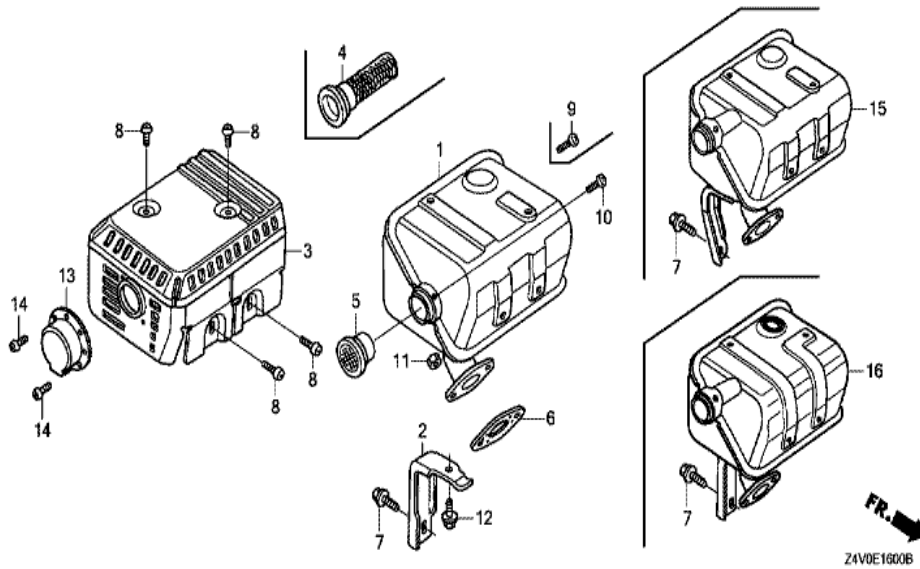
Z4VDE1460E

| Ref | Partnumber    | Description                | GX200UT | Serial Numbers |
|-----|---------------|----------------------------|---------|----------------|
| 001 | 16010-ZE1-812 | GASKET SET                 | 1       |                |
| 002 | 16011-ZE0-005 | VALVE SET, FLOAT           | 1       |                |
| 003 | 16013-Z0S-B01 | FLOAT SET                  | 1       |                |
| 004 | 16015-ZE0-831 | CHAMBER SET, FLOAT         | 1       |                |
| 004 | 16015-ZE0-831 | CHAMBER SET, FLOAT         | 1       |                |
| 005 | 16016-ZH7-W01 | SCREW SET, PILOT           | 1       |                |
| 006 | 16024-ZE1-811 | SCREW SET, DRAIN           | 1       |                |
| 006 | 16024-ZE1-811 | SCREW SET, DRAIN           | 1       |                |
| 007 | 16028-ZE0-005 | SCREW SET                  | 1       |                |
| 007 | 16028-ZE0-005 | SCREW SET                  | 1       |                |
| 008 | 16044-ZE0-005 | CHOKE SET                  | 1       |                |
| 008 | 16044-ZE0-005 | CHOKE SET                  | 1       |                |
| 009 | 16100-Z0V-921 | CARBURETOR ASSY. (BE64Y A) | 1       |                |

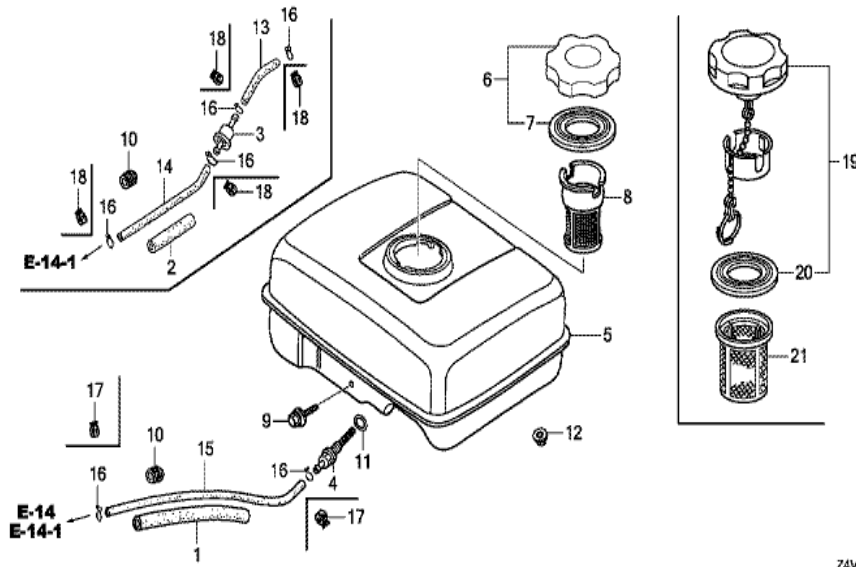
| <u>Ref</u> | <u>Partnumber</u> | <u>Description</u>             | <u>GX200UT</u> | <u>Serial Numbers</u> |
|------------|-------------------|--------------------------------|----------------|-----------------------|
| 010        | 16124-ZE0-005     | SCREW, THROTTLE STOP           | 1              |                       |
| 011        | 16166-ZL0-000     | NOZZLE, MAIN                   | 1              |                       |
| 011        | 16166-ZL0-000     | NOZZLE, MAIN                   | 1              |                       |
| 012        | 16173-001-004     | PACKING, FUEL STRAINER CUP     | 1              |                       |
| 013        | 16211-ZL0-000     | INSULATOR, CARBURETOR          | 1              |                       |
| 014        | 16212-ZH8-800     | PACKING, INSULATOR             | 1              |                       |
| 015        | 16220-ZE1-020     | SPACER COMP., CARBURETOR       | 1              |                       |
| 016        | 16221-ZH8-801     | PACKING, CARBURETOR            | 1              |                       |
| 017        | 16610-ZE1-000     | LEVER COMP., CHOKE (STD.)      | 1              |                       |
| 018        | 16953-ZE1-812     | LEVER, COCK                    | 1              |                       |
| 019        | 16954-ZE1-812     | PLATE, LEVER SETTING           | 1              |                       |
| 020        | 16956-ZE1-811     | SPRING, COCK LEVER             | 1              |                       |
| 021        | 16957-ZE1-812     | PACKING, FUEL COCK             | 1              |                       |
| 022        | 16967-ZE0-811     | CUP, FUEL STRAINER             | 1              |                       |
| 023        | 93500-030061H     | SCREW, PAN, 3X6                | 2              |                       |
| 024        | 94305-20122       | PIN, SPRING, 2X12              | 1              |                       |
| 025        | 99101-ZH80680     | JET, MAIN, #68                 | (1)            |                       |
| 025        | 99101-ZH80700     | JET, MAIN, #70                 | (1)            |                       |
| 025        | 99101-ZH80700     | JET, MAIN, #70                 | (1)            |                       |
| 025        | 99101-ZH80720     | JET, MAIN, #72                 | (1)            |                       |
| 025        | 99101-ZH80720     | JET, MAIN, #72                 | 1              |                       |
| 026        | 99204-ZA00450     | JET SET, PILOT, #45            | 1              |                       |
| 040        | 16141-Z0S-003     | WASHER, PLAIN (6.2X10.7 DRAIN) | 1              |                       |
| 040        | 16141-Z0S-003     | WASHER, PLAIN (6.2X10.7 DRAIN) | 1              |                       |



| <u>Ref</u> | <u>Partnumber</u> | <u>Description</u>          | <u>GX200UT</u> | <u>Serial Numbers</u> |
|------------|-------------------|-----------------------------|----------------|-----------------------|
| 001        | 16271-ZE1-000     | PACKING, ELBOW              | 1              |                       |
| 002        | 17210-ZE1-822     | ELEMENT, AIR CLEANER (DUAL) | 1              |                       |
| 002        | 17210-ZE1-822     | ELEMENT, AIR CLEANER (DUAL) | 1              |                       |
| 003        | 17218-ZE1-821     | FILTER, OUTER               | 1              |                       |
| 004        | 17230-ZE1-820     | COVER, AIR CLEANER (DUAL)   | 1              |                       |
| 005        | 17232-891-000     | GROMMET, AIR CLEANER        | 1              |                       |
| 006        | 17235-ZE1-831     | NOSE, SILENCER              | 1              |                       |
| 006        | 17235-ZE1-831     | NOSE, SILENCER              | 1              |                       |
| 007        | 17238-ZE7-010     | COLLAR, AIR CLEANER         | 2              |                       |
| 008        | 17239-ZE1-000     | COLLAR B, AIR CLEANER       | 1              |                       |
| 009        | 17410-ZE1-020     | ELBOW COMP., AIR CLEANER    | 1              |                       |
| 009        | 17410-ZE1-020     | ELBOW COMP., AIR CLEANER    | 1              |                       |
| 009        | 17410-ZE1-020     | ELBOW COMP., AIR CLEANER    | 1              |                       |
| <u>Ref</u> | <u>Partnumber</u> | <u>Description</u>          | <u>GX200UT</u> | <u>Serial Numbers</u> |
| 009        | 17410-ZE1-020     | ELBOW COMP., AIR CLEANER    | 1              |                       |
| 010        | 90325-044-000     | NUT, TOOL BOX SETTING       | 1              |                       |
| 010        | 90325-044-000     | NUT, TOOL BOX SETTING       | 2              |                       |
| 011        | 94050-06000       | NUT, FLANGE, 6MM            | 2              |                       |
| 012        | 95701-0602000     | BOLT, FLANGE, 6X20          | 1              |                       |



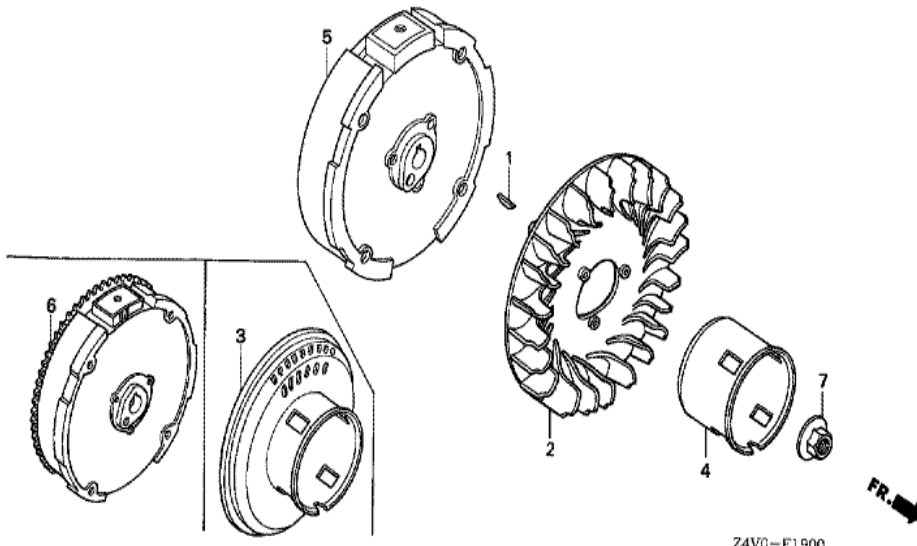
| <u>Ref</u> | <u>Partnumber</u> | <u>Description</u>          | <u>GX200UT</u> | <u>Serial Numbers</u> |
|------------|-------------------|-----------------------------|----------------|-----------------------|
| 001        | 18310-ZL0-000     | MUFFLER COMP.               | (1)            |                       |
| 001        | 18310-ZL0-000     | MUFFLER COMP.               | 1              |                       |
| 002        | 18315-ZE1-000     | STAY, MUFFLER               | 1              |                       |
| 003        | 18320-ZF1-H51     | PROTECTOR, MUFFLER (SILENT) | 1              |                       |
| 003        | 18320-ZF1-H51     | PROTECTOR, MUFFLER (SILENT) | 1              |                       |
| 003        | 18320-ZF1-H51     | PROTECTOR, MUFFLER (SILENT) | 1              |                       |
| 004        | 18355-ZL0-000     | ARRESTER, SPARK             | 1              |                       |
| 004        | 18355-ZL0-000     | ARRESTER, SPARK             | (1)            |                       |
| 005        | 18361-ZL0-000     | NETTING, WIRE FLANGE        | 1              |                       |
| 006        | 18381-Z0T-801     | GASKET, MUFFLER             | 1              |                       |
| 006        | 18381-Z0T-801     | GASKET, MUFFLER             | 1              | 1132192               |
| 007        | 90016-ZE1-000     | BOLT, FLANGE, 6X13 (CT200)  | 1              |                       |
| 008        | 90050-ZE1-000     | SCREW, TAPPING, 5X8         | 4              |                       |
| <u>Ref</u> | <u>Partnumber</u> | <u>Description</u>          | <u>GX200UT</u> | <u>Serial Numbers</u> |
| 009        | 90055-ZE1-000     | SCREW, TAPPING, 4X6         | (1)            |                       |
| 010        | 90056-ZL0-000     | SCREW, TAPPING, 4X6         | 1              |                       |
| 011        | 94001-080000S     | NUT, HEX., 8MM              | 2              |                       |
| 012        | 95701-0601200     | BOLT, FLANGE, 6X12          | 1              |                       |



Z4V0E1760G

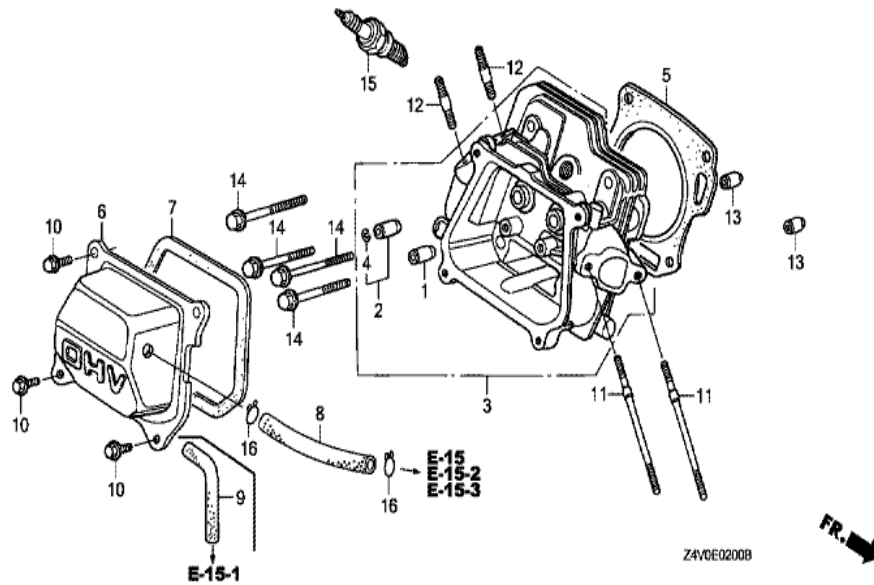
| Ref | Partnumber      | Description                              | GX200UT | Serial Numbers  |
|-----|-----------------|--|---------|-----------------|
| 001 | 16854-ZH8-000   | RUBBER, SUPPORTER (107MM)                | 1       |                 |
| 004 | 16955-ZE1-000   | JOINT, FUEL TANK                         | 1       |                 |
| 005 | 17510-Z0T-010ZA | TANK COMP., FUEL *NH1 *                  | 1       | 1443527         |
| 005 | 17510-Z0T-010ZA | TANK COMP., FUEL *NH1 *                  | 1       |                 |
| 005 | 17510-Z0T-010ZC | TANK COMP., FUEL *NH31 *                 | 1       | 1443527         |
| 005 | 17510-Z0T-010ZC | TANK COMP., FUEL *NH31 *                 | 1       |                 |
| 009 | 90004-ZL0-003   | BOLT, FLANGE, 6X34                       | 1       |                 |
| 011 | 91353-671-004   | O-RING, 14MM (NOK)                       | 1       |                 |
| 012 | 94050-06000     | NUT, FLANGE, 6MM                         | 2       |                 |
| 015 | 91424-Z4F-802   | TUBE, FUEL, 4.5X140 (FKM)                | 1       |                 |
| 017 | 95002-4080008   | CLAMP, TUBE (D8)                         | 1       |                 |
| 017 | 95002-4080008   | CLAMP, TUBE (D8)                         | 2       |                 |
| 019 | 17620-Z4H-020   | CAP COMP., FUEL FILLER                   | 1       | 1411433         |
| Ref | Partnumber      | Description                              | GX200UT | Serial Numbers  |
| 019 | 17620-Z4H-020   | CAP COMP., FUEL FILLER                   | 1       |                 |
| 020 | 17631-Z0T-801   | PACKING, FUEL FILLER CAP (39X62X3) (RADI | 1       |                 |
| 020 | 17631-Z0T-801   | PACKING, FUEL FILLER CAP (39X62X3) (RADI | 1       | 1259679 1377258 |



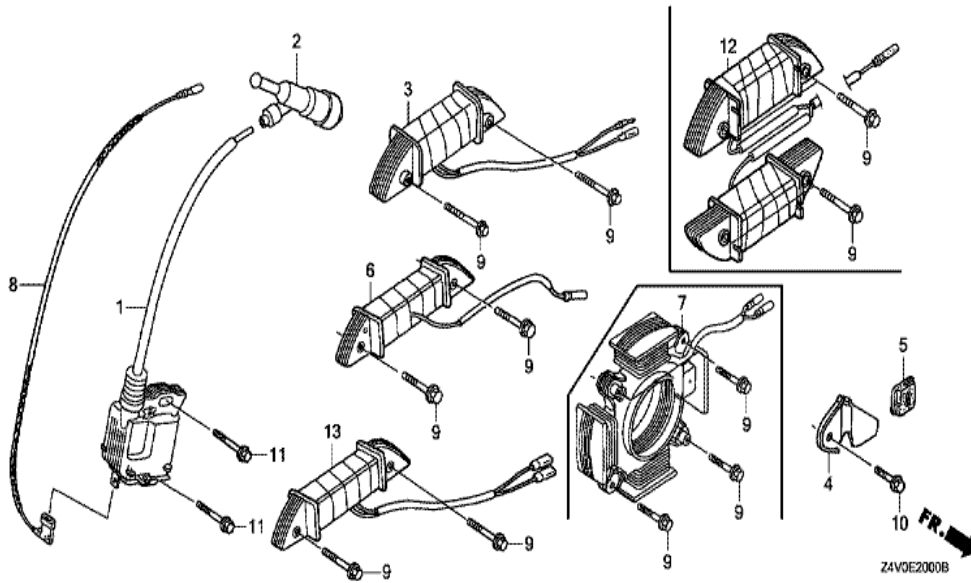


Z4V0-E1900

| Ref | Partnumber    | Description                  | GX200UT | Serial Numbers |
|-----|---------------|------------------------------|---------|----------------|
| 001 | 13331-357-000 | KEY, SPECIAL WOODRUFF, 25X18 | 1       |                |
| 002 | 19511-ZE1-000 | FAN, COOLING                 | 1       |                |
| 004 | 28451-ZL0-801 | PULLEY, STARTER              | 1       |                |
| 004 | 28451-ZL0-801 | PULLEY, STARTER              | 1       |                |
| 005 | 31100-ZE7-010 | FLYWHEEL COMP. (STD.)        | 1       |                |
| 007 | 90201-Z0T-800 | NUT, SPECIAL, 14MM           | 1       |                |

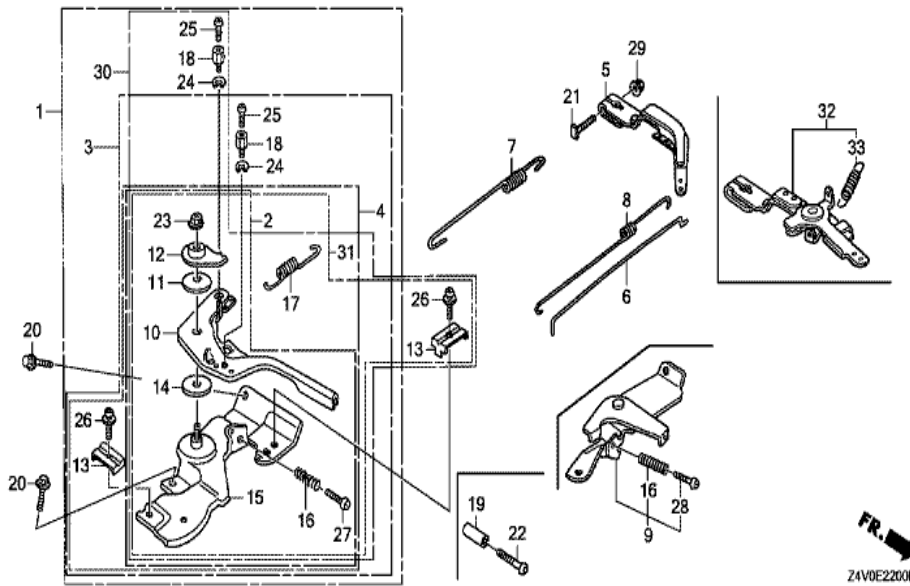


| Ref        | Partnumber        | Description                             | GX200UT        | Serial Numbers        |
|------------|-------------------|---|----------------|-----------------------|
| 001        | 12204-ZE1-306     | GUIDE, IN. VALVE (OS)                   | 1              |                       |
| 002        | 12205-ZE1-315     | GUIDE, EX. VALVE (OS)                   | 1              |                       |
| 003        | 12210-ZL0-415     | HEAD COMP., CYLINDER                    | 1              |                       |
| 004        | 12216-ZE5-300     | CLIP, VALVE GUIDE                       | 1              |                       |
| 005        | 12251-ZL0-003     | GASKET, CYLINDER HEAD (NIPPON LEAKLESS) | 1              |                       |
| 006        | 12310-ZE1-020     | COVER COMP., HEAD                       | 1              |                       |
| 006        | 12310-ZE1-020     | COVER COMP., HEAD                       | 1              |                       |
| 006        | 12310-ZE1-020     | COVER COMP., HEAD                       | 1              |                       |
| 007        | 12391-ZE1-000     | PACKING, HEAD COVER                     | 1              |                       |
| 008        | 15721-ZH8-000     | TUBE, BREATHER                          | 1              |                       |
| 008        | 15721-ZH8-000     | TUBE, BREATHER                          | 1              |                       |
| 010        | 90013-883-000     | BOLT, FLANGE, 6X12 (CT200)              | 4              |                       |
| 011        | 90043-ZE1-020     | BOLT, STUD, 6X112                       | 2              |                       |
| <u>Ref</u> | <u>Partnumber</u> | <u>Description</u>                      | <u>GX200UT</u> | <u>Serial Numbers</u> |
| 011        | 90043-ZE1-020     | BOLT, STUD, 6X112                       | 2              |                       |
| 012        | 90047-ZE1-000     | BOLT, STUD, 8X32                        | 2              |                       |
| 013        | 94301-10160       | DOWEL PIN, 10X16                        | 2              |                       |
| 014        | 95701-0806000     | BOLT, FLANGE, 8X60                      | 4              |                       |
| 014        | 95701-0806000     | BOLT, FLANGE, 8X60                      | 4              | 1318361               |
| 015        | 98079-55846       | PLUG, SPARK (BPR5ES) (NGK)              | (1)            |                       |
| 015        | 98079-55855       | PLUG, SPARK (W16EPR-U) (DENSO)          | (1)            |                       |
| 015        | 98079-55855       | PLUG, SPARK (W16EPR-U) (DENSO)          | (1)            |                       |
| 015        | 98079-56846       | PLUG, SPARK (BPR6ES) (NGK)              | 1              |                       |
| 015        | 98079-56846       | PLUG, SPARK (BPR6ES) (NGK)              | 1              |                       |
| 015        | 98079-56855       | PLUG, SPARK (W20EPR-U) (DENSO)          | 1              |                       |
| 015        | 98079-56855       | PLUG, SPARK (W20EPR-U) (DENSO)          | 1              |                       |



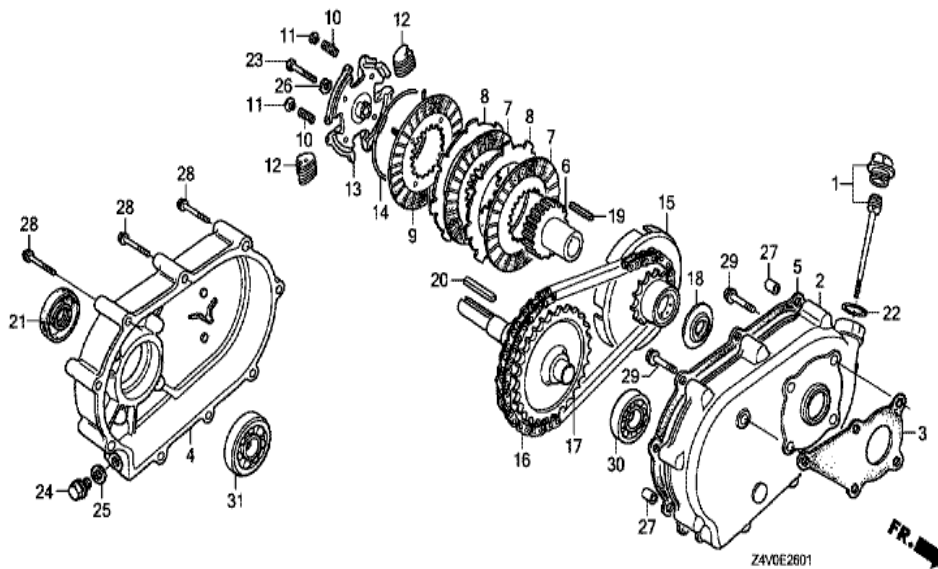
Z4V0E2000B

| Ref | Partnumber    | Description                       | GX200UT | Serial Numbers |
|-----|---------------|-----------------------------------|---------|----------------|
| 001 | 30500-Z0T-802 | COIL ASSY., IGNITION (TEC)        | 1       |                |
| 001 | 30500-Z0T-802 | COIL ASSY., IGNITION (TEC)        | 1       |                |
| 002 | 30700-Z0T-811 | CAP ASSY., NOISE SUPPRESSOR (NGK) | 1       |                |
| 008 | 36101-ZE1-010 | CORD, STOP SWITCH (370MM)         | 1       |                |
| 008 | 36101-ZE1-010 | CORD, STOP SWITCH (370MM)         | 1       |                |
| 008 | 36101-ZE1-010 | CORD, STOP SWITCH (370MM)         | 1       |                |
| 011 | 90121-952-000 | BOLT, FLANGE, 6X25 (CT200)        | 2       |                |

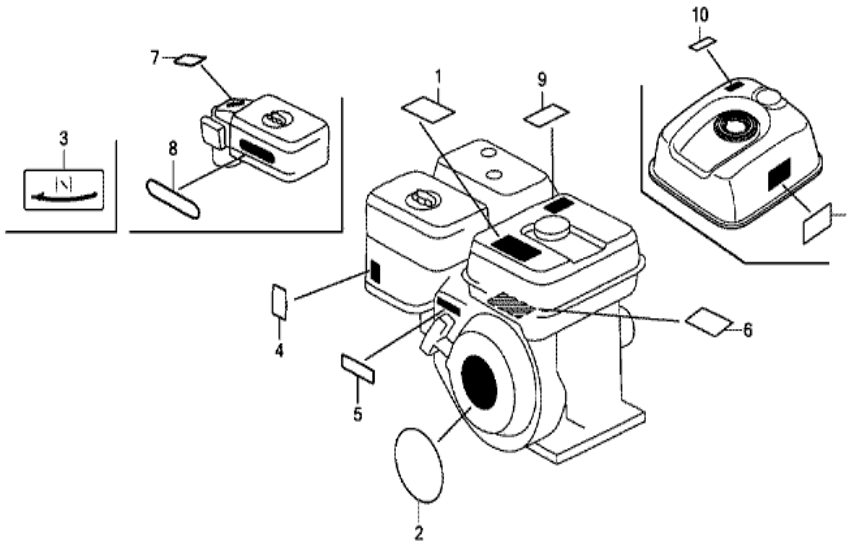


FR. →  
Z4V0E22000

| Ref | Partnumber    | Description                  | GX200UT | Serial Numbers |
|-----|---------------|------------------------------|---------|----------------|
| 004 | 16500-ZH8-823 | CONTROL ASSY. (REMOTE)       | 1       |                |
| 004 | 16500-ZH8-823 | CONTROL ASSY. (REMOTE)       | 1       |                |
| 004 | 16500-ZH8-823 | CONTROL ASSY. (REMOTE)       | 1       |                |
| 005 | 16551-ZL0-000 | ARM, GOVERNOR                | 1       |                |
| 006 | 16555-ZE1-000 | ROD, GOVERNOR                | 1       |                |
| 006 | 16555-ZE1-000 | ROD, GOVERNOR                | 1       |                |
| 007 | 16561-ZL0-000 | SPRING, GOVERNOR             | 1       |                |
| 008 | 16562-ZE1-020 | SPRING, THROTTLE RETURN      | 1       |                |
| 010 | 16571-ZH8-020 | LEVER, CONTROL               | 1       |                |
| 010 | 16571-ZH8-020 | LEVER, CONTROL               | 1       |                |
| 011 | 16574-ZE1-000 | SPRING, LEVER                | 1       |                |
| 012 | 16575-ZH8-000 | WASHER, CONTROL LEVER        | 1       |                |
| 013 | 16576-891-000 | HOLDER, CABLE                | 1       |                |
| Ref | Partnumber    | Description                  | GX200UT | Serial Numbers |
| 014 | 16578-ZE1-000 | SPACER, CONTROL LEVER        | 1       |                |
| 015 | 16580-ZH8-813 | BASE COMP., CONTROL (REMOTE) | 1       |                |
| 015 | 16580-ZH8-813 | BASE COMP., CONTROL (REMOTE) | 1       |                |
| 015 | 16580-ZH8-813 | BASE COMP., CONTROL (REMOTE) | 1       |                |
| 015 | 16580-ZH8-813 | BASE COMP., CONTROL (REMOTE) | 1       |                |
| 016 | 16584-883-300 | SPRING, CONTROL ADJUSTING    | 1       |                |
| 017 | 16592-ZE1-810 | SPRING, CABLE RETURN         | 1       |                |
| 019 | 16599-ZG1-M10 | COLLAR, STOPPER              | (1)     |                |
| 020 | 90013-883-000 | BOLT, FLANGE, 6X12 (CT200)   | 2       |                |
| 021 | 90015-ZE5-010 | BOLT, GOVERNOR ARM           | 1       |                |
| 021 | 90015-ZE5-010 | BOLT, GOVERNOR ARM           | 1       |                |
| 022 | 90016-ZG9-N30 | SCREW, RECESSED, 5X25        | (1)     |                |
| 023 | 90114-SA0-000 | NUT, SELF-LOCK, 6MM          | 1       |                |
| 026 | 93500-050160A | SCREW, PAN, 5X16             | 1       |                |
| 027 | 93500-050250H | SCREW, PAN, 5X25             | 1       |                |
| 027 | 93500-050250H | SCREW, PAN, 5X25             | 1       |                |
| 029 | 94050-06000   | NUT, FLANGE, 6MM             | 1       |                |

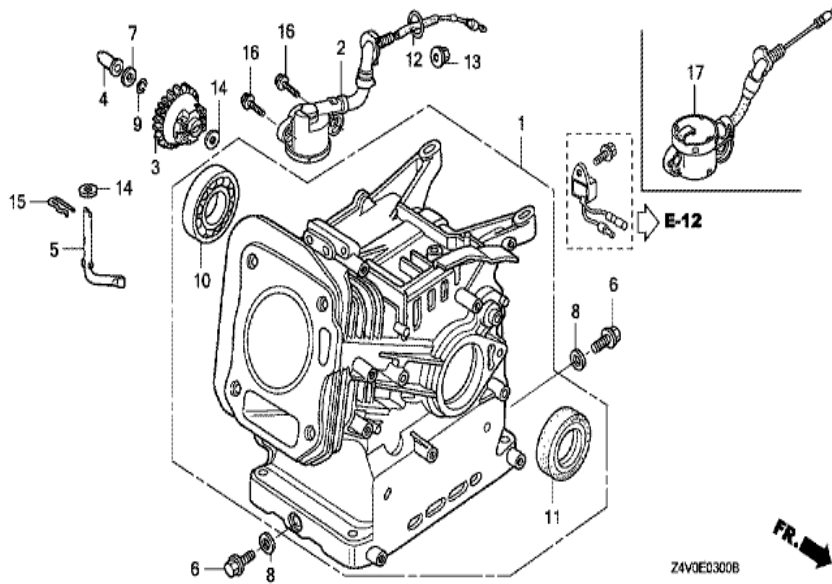


| <u>Ref</u> | <u>Partnumber</u> | <u>Description</u>           | <u>GX200UT</u> | <u>Serial Numbers</u> |
|------------|-------------------|------------------------------|----------------|-----------------------|
| 001        | 15600-ZH7-000     | CAP ASSY., OIL FILLER        | 1              |                       |
| 002        | 21510-883-621     | CASE, REDUCTION              | 1              |                       |
| 003        | 21591-ZH8-620     | PACKING, REDUCTION CASE      | 1              |                       |
| 004        | 21610-822-611     | COVER, REDUCTION             | 1              |                       |
| 005        | 21691-ZH8-800     | PACKING, REDUCTION COVER     | 1              |                       |
| 006        | 22121-883-620     | CENTER, CLUTCH               | 1              |                       |
| 007        | 22201-822-610     | DISK, CLUTCH FRICTION        | 2              |                       |
| 008        | 22311-822-610     | PLATE, CLUTCH                | 2              |                       |
| 009        | 22350-822-610     | PLATE COMP., CLUTCH PRESSURE | 1              |                       |
| 010        | 22411-822-611     | SPRING, CLUTCH FREE          | 4              |                       |
| 011        | 22421-822-610     | HOLDER, CLUTCH SPRING        | 4              |                       |
| 012        | 22521-822-610     | WEIGHT, CLUTCH               | 48             |                       |
| 013        | 22531-883-620     | HOLDER, CLUTCH WEIGHT        | 1              |                       |
| <u>Ref</u> | <u>Partnumber</u> | <u>Description</u>           | <u>GX200UT</u> | <u>Serial Numbers</u> |
| 014        | 22535-822-610     | CENTER, CLUTCH WEIGHT        | 1              |                       |
| 015        | 23120-883-620     | SPROCKET COMP., DRIVE        | 1              |                       |
| 016        | 23161-822-611     | CHAIN, DRIVE (RK428SH-36LE)  | 1              |                       |
| 017        | 23711-822-610     | SHAFT COMP., P.T.O. (28T)    | 1              |                       |
| 018        | 90403-883-620     | WASHER, THRUST, 20MM         | 1              |                       |
| 019        | 90741-883-621     | KEY, 5MM                     | 1              |                       |
| 020        | 90741-889-810     | KEY, 7X7X33 (YELLOW) (O.S.)  | 1              |                       |
| 021        | 91202-Z2F-801     | OIL SEAL, 30X50X7            | 1              |                       |
| 022        | 91301-805-000     | O-RING, 26X2.7               | 1              |                       |
| 023        | 92101-080350A     | BOLT, HEX., 8X35             | 1              |                       |
| 024        | 92800-12000       | BOLT, DRAIN PLUG, 12MM       | 1              |                       |
| 025        | 94109-12000       | WASHER, DRAIN PLUG, 12MM     | 1              |                       |
| 026        | 94111-08800       | WASHER, SPRING, 8MM          | 1              |                       |
| 027        | 94301-08100       | DOWEL PIN, 8X10              | 2              |                       |
| 028        | 95701-0605500     | BOLT, FLANGE, 6X55           | 9              |                       |
| 029        | 95701-0802200     | BOLT, FLANGE, 8X22           | 5              |                       |
| 030        | 96100-6205000     | BEARING, RADIAL BALL, 6205   | 1              |                       |
| 031        | 96100-6206000     | BEARING, RADIAL BALL, 6206   | 1              |                       |

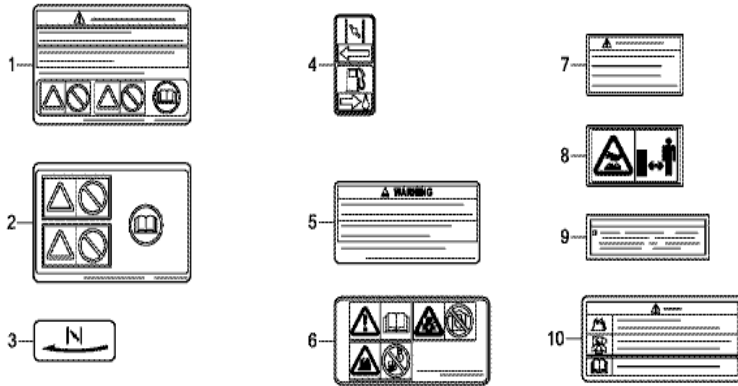


Z4V0E2800D

| Ref | Partnumber    | Description                              | GX200UT | Serial Numbers |
|-----|---------------|--|---------|----------------|
| 001 | 87516-Z4H-000 | MARK, OPERATOR CAUTION (ENGLISH) (MADE I | 1       | 1602022        |
| 001 | 87516-ZH7-810 | MARK, OPERATOR CAUTION (PICTOGRAPH) (MAD | (1)     |                |
| 001 | 87516-ZH7-810 | MARK, OPERATOR CAUTION (PICTOGRAPH) (MAD | (1)     |                |
| 001 | 87516-ZH7-810 | MARK, OPERATOR CAUTION (PICTOGRAPH) (MAD | (1)     | 1602022        |
| 001 | 87519-Z4H-000 | MARK, OPERATOR CAUTION (PICTOGRAPH)      | 1       | 1602023        |
| 002 | 87521-ZL0-030 | EMBLEM (GX200)                           | 1       |                |
| 002 | 87521-ZL0-030 | EMBLEM (GX200)                           | 1       |                |
| 004 | 87528-ZH7-000 | MARK, CHOKE (GRAY)                       | 1       |                |
| 004 | 87528-ZH7-000 | MARK, CHOKE (GRAY)                       | 1       |                |
| 005 | 87532-ZH7-000 | MARK, THROTTLE INDICATION                | 1       |                |



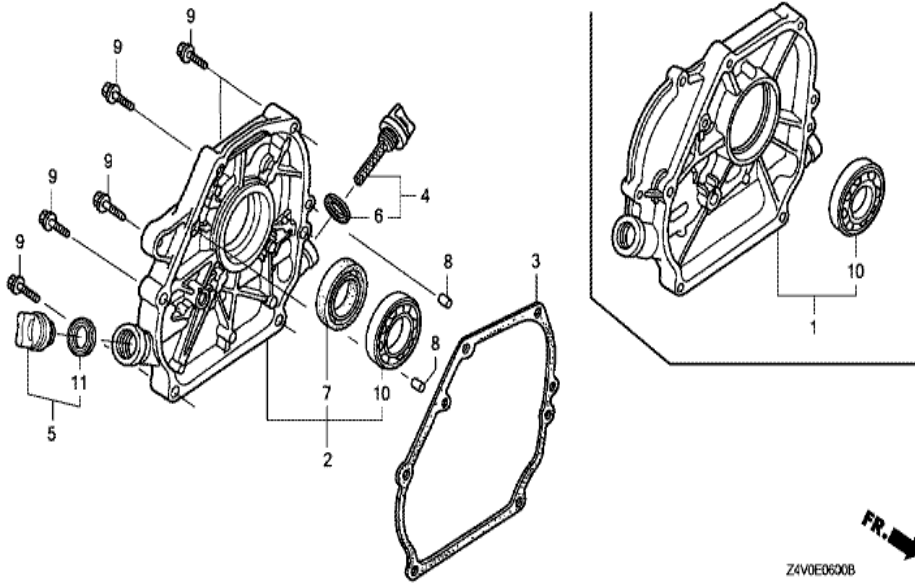
| <u>Ref</u> | <u>Partnumber</u> | <u>Description</u>                   | <u>GX200UT</u> | <u>Serial Numbers</u> |
|------------|-------------------|--------------------------------------|----------------|-----------------------|
| 001        | 12000-Z0V-405     | BARREL ASSY., CYLINDER               | 1              |                       |
| 003        | 16506-ZL0-000     | GOVERNOR ASSY.                       | 1              |                       |
| 004        | 16531-ZE1-000     | SLIDER, GOVERNOR                     | 1              |                       |
| 005        | 16541-ZE1-000     | SHAFT, GOVERNOR ARM                  | 1              |                       |
| 006        | 90131-ZE1-000     | BOLT, DRAIN PLUG                     | 2              |                       |
| 007        | 90451-ZE1-000     | WASHER, THRUST, 6MM                  | 1              |                       |
| 008        | 90601-ZE1-000     | WASHER, DRAIN PLUG, 10.2MM           | 2              |                       |
| 009        | 90602-ZE1-000     | CLIP, GOVERNOR HOLDER                | 1              |                       |
| 010        | 91001-Z4X-003     | BEARING, RADIAL BALL (6205) (NSK)    | 1              |                       |
| 010        | 91001-ZF1-003     | BEARING, RADIAL BALL (6205TMB) (NTN) | 1              |                       |
| 010        | 91001-ZF1-003     | BEARING, RADIAL BALL (6205TMB) (NTN) | 1              |                       |
| 010        | 91001-ZF1-004     | BEARING, RADIAL BALL (6205SH) (KOYO) | 1              |                       |
| 010        | 91001-ZF1-004     | BEARING, RADIAL BALL (6205SH) (KOYO) | 1              |                       |
| <u>Ref</u> | <u>Partnumber</u> | <u>Description</u>                   | <u>GX200UT</u> | <u>Serial Numbers</u> |
| 011        | 91201-Z0T-801     | OIL SEAL, 25X41X6 (NOK)              | 1              |                       |
| 014        | 94101-06800       | WASHER, PLAIN, 6MM                   | 2              |                       |
| 015        | 94251-08000       | PIN, LOCK, 8MM                       | 1              |                       |



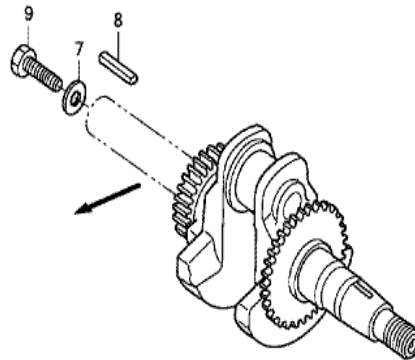
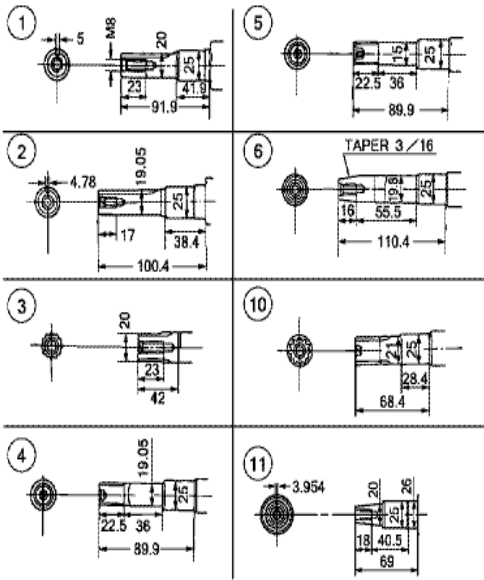
Z4VDE4001D

| Ref | Partnumber    | Description                              | GX200UT | Serial Numbers |
|-----|---------------|--|---------|----------------|
| 001 | 87516-Z4H-800 | MARK, OPERATOR CAUTION (FRENCH) (MADE IN | 1       |                |
| 001 | 87516-Z4H-800 | MARK, OPERATOR CAUTION (FRENCH) (MADE IN | 1       | 1602022        |
| 005 | 87516-Z4H-010 | MARK, OPERATOR CAUTION (ENGLISH) (MADE I | 1       | 1602023        |
| 005 | 87516-Z4H-801 | MARK, OPERATOR CAUTION (FRENCH) (MADE IN | 1       | 1602023        |
| 007 | 87539-Z0J-000 | MARK, EX. CAUTION (ENGLISH)              | 1       | 1547360        |
| 007 | 87539-Z0J-810 | MARK, EX. CAUTION (FRENCH)               | 1       | 1547360        |



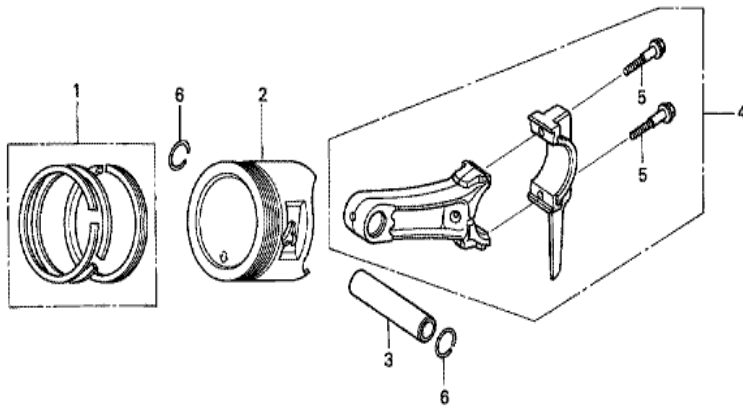


| Ref | Partnumber    | Description                          | GX200UT | Serial Numbers |
|-----|---------------|--------------------------------------|---------|----------------|
| 002 | 11300-ZE1-020 | COVER ASSY., CRANKCASE               | 1       |                |
| 002 | 11300-ZE1-020 | COVER ASSY., CRANKCASE               | 1       |                |
| 003 | 11381-ZL0-000 | PACKING, CASE COVER                  | 1       |                |
| 003 | 11381-ZL0-000 | PACKING, CASE COVER                  | 1       |                |
| 004 | 15600-ZOT-810 | CAP ASSY., OIL FILLER (GAUGE) (GRAY) | 1       |                |
| 005 | 15600-ZOT-820 | CAP ASSY., OIL FILLER (BLACK)        | 1       |                |
| 006 | 15625-ZOT-800 | PACKING, OIL FILLER CAP              | 1       |                |
| 007 | 91201-ZOT-801 | OIL SEAL, 25X41X6 (NOK)              | 1       |                |
| 008 | 94301-08140   | DOWEL PIN, 8X14                      | 2       |                |
| 009 | 95701-0803200 | BOLT, FLANGE, 8X32                   | 6       |                |
| 010 | 96100-6205000 | BEARING, RADIAL BALL, 6205           | 1       |                |
| 011 | 15625-ZOT-800 | PACKING, OIL FILLER CAP              | 1       |                |



Z4V0E0700B

| Ref | Partnumber    | Description      | GX200UT | Serial Numbers |
|-----|---------------|------------------|---------|----------------|
| 001 | 13310-ZLO-020 | CRANKSHAFT COMP. | 1       |                |

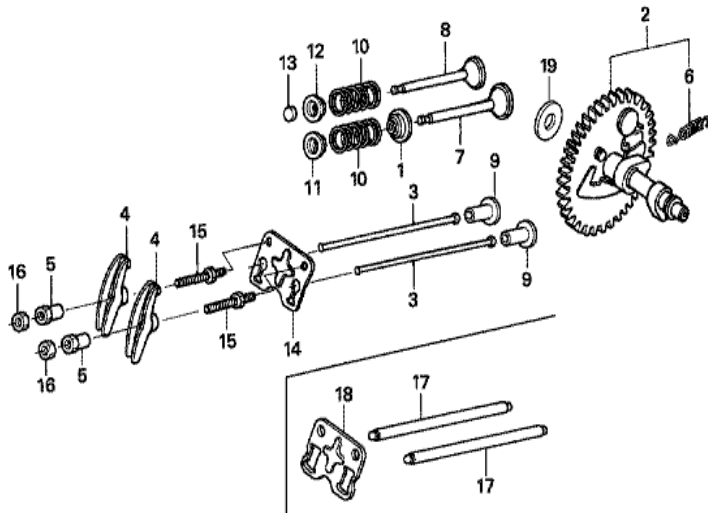


Z4V0-E0800



| Ref | Partnumber    | Description                   | GX200UT | Serial Numbers |
|-----|---------------|-------------------------------|---------|----------------|
| 001 | 13010-Z4K-004 | RING SET, PISTON (STD.) (TPR) | 1       |                |
| 001 | 13010-Z4K-004 | RING SET, PISTON (STD.) (TPR) | 1       | 1259679        |
| 001 | 13011-Z4K-004 | RING SET, PISTON (0.25) (TPR) | (1)     | 1299753        |
| 001 | 13011-Z4K-004 | RING SET, PISTON (0.25) (TPR) | (1)     |                |
| 001 | 13011-Z4K-004 | RING SET, PISTON (0.25) (TPR) | (1)     | 1259679        |
| 001 | 13012-Z4K-004 | RING SET, PISTON (0.50) (TPR) | (1)     | 1299753        |
| 001 | 13012-Z4K-004 | RING SET, PISTON (0.50) (TPR) | (1)     |                |
| 001 | 13012-Z4K-004 | RING SET, PISTON (0.50) (TPR) | (1)     | 1259679        |
| 001 | 13013-Z4K-004 | RING SET, PISTON (0.75) (TPR) | (1)     |                |
| 001 | 13013-Z4K-004 | RING SET, PISTON (0.75) (TPR) | (1)     |                |
| 001 | 13013-Z4K-004 | RING SET, PISTON (0.75) (TPR) | (1)     | 1259679        |
| 002 | 13101-Z4V-800 | PISTON (STD.)                 | 1       | 1653639        |
| 002 | 13101-Z4V-800 | PISTON (STD.)                 | 1       | 1653639        |

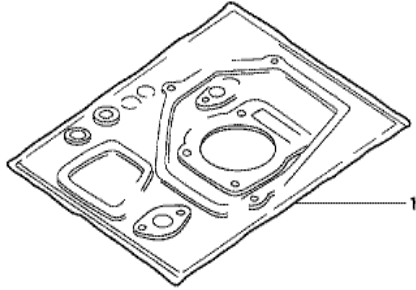
| <u>Ref</u> | <u>Partnumber</u> | <u>Description</u>         | <u>GX200UT</u> | <u>Serial Numbers</u> |
|------------|-------------------|----------------------------|----------------|-----------------------|
| 002        | 13101-ZL0-020     | PISTON (STD.)              | 1              |                       |
| 002        | 13101-ZL0-020     | PISTON (STD.)              | 1              |                       |
| 002        | 13101-ZL0-020     | PISTON (STD.)              | 1              | 1653638               |
| 002        | 13101-ZL0-020     | PISTON (STD.)              | 1              | 1653638               |
| 002        | 13102-ZL0-020     | PISTON (0.25)              | (1)            | 1299753               |
| 002        | 13102-ZL0-020     | PISTON (0.25)              | (1)            |                       |
| 002        | 13102-ZL0-020     | PISTON (0.25)              | (1)            |                       |
| 002        | 13102-ZL0-020     | PISTON (0.25)              | (1)            |                       |
| 002        | 13103-ZL0-020     | PISTON (0.50)              | (1)            | 1299753               |
| 002        | 13103-ZL0-020     | PISTON (0.50)              | (1)            |                       |
| 002        | 13103-ZL0-020     | PISTON (0.50)              | (1)            |                       |
| 002        | 13103-ZL0-020     | PISTON (0.50)              | (1)            |                       |
| 002        | 13104-ZL0-020     | PISTON (0.75)              | (1)            | 1299753               |
| 002        | 13104-ZL0-020     | PISTON (0.75)              | (1)            |                       |
| 002        | 13104-ZL0-020     | PISTON (0.75)              | (1)            |                       |
| 002        | 13104-ZL0-020     | PISTON (0.75)              | (1)            |                       |
| 003        | 13111-ZE1-000     | PIN, PISTON                | 1              |                       |
| 003        | 13111-ZE1-000     | PIN, PISTON                | 1              |                       |
| 004        | 13200-ZOT-800     | ROD ASSY., CONNECTING (TH) | 1              |                       |
| 005        | 90001-ZE1-000     | BOLT, CONNECTING ROD       | 2              |                       |
| 006        | 90551-ZE1-000     | CLIP, PISTON PIN, 18MM     | 2              |                       |



Z4V0-E0900A

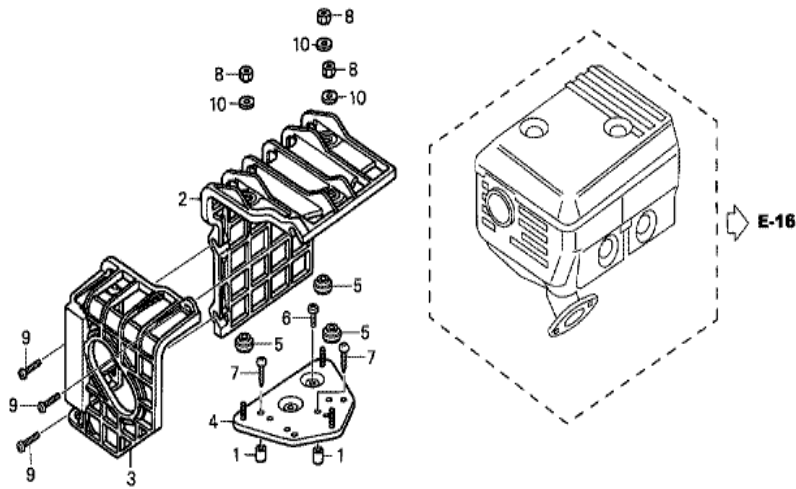


| <u>Ref</u> | <u>Partnumber</u> | <u>Description</u>         | <u>GX200UT</u> | <u>Serial Numbers</u> |
|------------|-------------------|----------------------------|----------------|-----------------------|
| 001        | 12209-ZH8-003     | SEAL, VALVE STEM           | 1              |                       |
| 001        | 12209-ZH8-003     | SEAL, VALVE STEM           | 1              |                       |
| 002        | 14100-ZL0-000     | CAMSHAFT ASSY.             | 1              |                       |
| 002        | 14100-ZL0-000     | CAMSHAFT ASSY.             | 1              |                       |
| 002        | 14100-ZL0-000     | CAMSHAFT ASSY.             | 1              |                       |
| 003        | 14410-ZE1-010     | ROD, PUSH                  | 2              |                       |
| 004        | 14431-ZE1-000     | ARM, VALVE ROCKER          | 2              |                       |
| 005        | 14451-ZE1-013     | PIVOT, ROCKER ARM          | 2              |                       |
| 005        | 14451-ZE1-013     | PIVOT, ROCKER ARM          | 2              |                       |
| 006        | 14568-ZE1-000     | SPRING, WEIGHT RETURN      | 1              |                       |
| 007        | 14711-ZF1-000     | VALVE, IN.                 | 1              |                       |
| 007        | 14711-ZF1-000     | VALVE, IN.                 | 1              |                       |
| 008        | 14721-ZF1-000     | VALVE, EX.                 | 1              |                       |
| <u>Ref</u> | <u>Partnumber</u> | <u>Description</u>         | <u>GX200UT</u> | <u>Serial Numbers</u> |
| 008        | 14721-ZF1-000     | VALVE, EX.                 | 1              |                       |
| 009        | 14731-ZL0-000     | LIFTER, VALVE              | 2              |                       |
| 010        | 14751-ZF1-000     | SPRING, VALVE              | 2              |                       |
| 011        | 14771-ZE1-000     | RETAINER, IN. VALVE SPRING | 1              |                       |
| 011        | 14771-ZE1-000     | RETAINER, IN. VALVE SPRING | 1              |                       |
| 012        | 14773-Z4X-000     | RETAINER, EX. VALVE SPRING | 1              |                       |
| 012        | 14773-Z4X-000     | RETAINER, EX. VALVE SPRING | 1              |                       |
| 012        | 14773-Z4X-000     | RETAINER, EX. VALVE SPRING | 1              |                       |
| 013        | 14781-ZE1-000     | ROTATOR, VALVE             | 1              |                       |
| 014        | 14791-ZE1-010     | PLATE, PUSH ROD GUIDE      | 1              |                       |
| 015        | 90012-ZE0-010     | BOLT, PIVOT, 8MM           | 2              |                       |
| 016        | 90206-ZE1-000     | NUT, PIVOT ADJUSTING       | 2              |                       |



HENG-X0003

| <u>Ref</u> | <u>Partnumber</u> | <u>Description</u> | <u>GX200UT</u> | <u>Serial Numbers</u> |
|------------|-------------------|--------------------|----------------|-----------------------|
| 001        | 06111-ZL0-000     | GASKET KIT         | 1              |                       |



Z4V0-X0200

| Ref | Partnumber    | Description               | GX200UT | Serial Numbers |
|-----|---------------|---------------------------|---------|----------------|
| 001 | 17233-896-701 | COLLAR, AIR CLEANER CASE  | (2)     |                |
| 002 | 18433-ZH8-W40 | COVER COMP., MUFFLER      | (1)     |                |
| 003 | 18434-ZH8-W40 | COVER COMP., RR. MUFFLER  | (1)     |                |
| 004 | 18436-ZH8-W41 | BASE COMP., MUFFLER COVER | (1)     |                |
| 005 | 18466-ZH8-W40 | SPACER, MUFFLER COVER     | (3)     |                |
| 006 | 90050-ZE1-000 | SCREW, TAPPING, 5X8       | (1)     |                |
| 007 | 90050-ZH8-W40 | SCREW, TAPPING, 5X25      | (2)     |                |
| 008 | 90302-KF9-900 | NUT, HEX., 5MM            | (3)     |                |
| 009 | 93891-0602007 | SCREW-WASHER, 6X20        | (3)     |                |
| 010 | 94103-05700   | WASHER, PLAIN, 5MM        | (3)     |                |