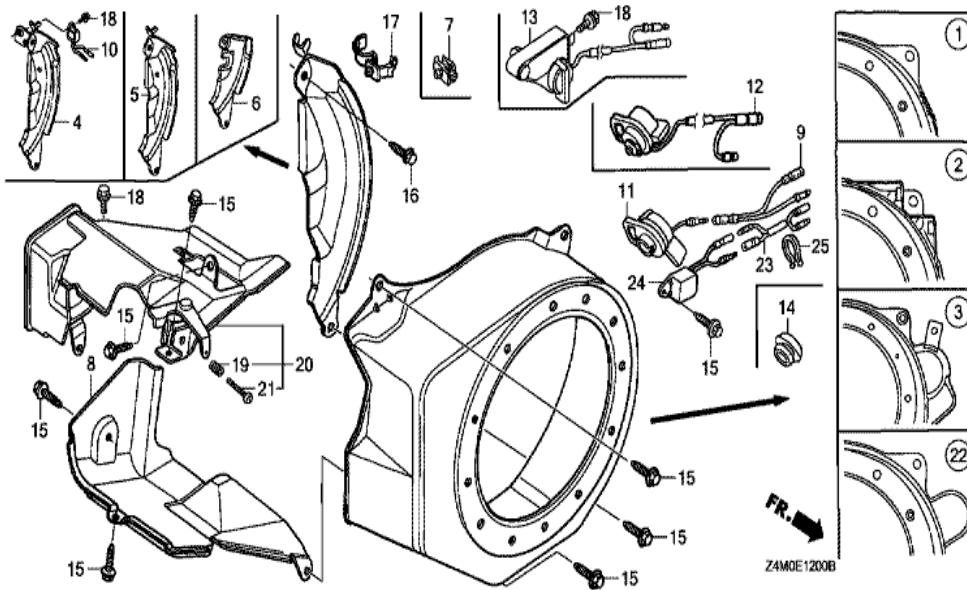




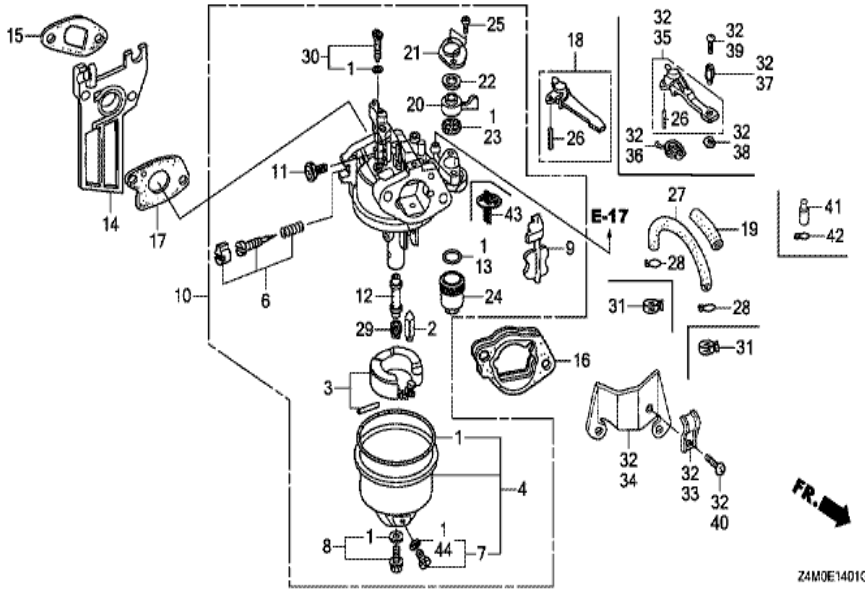
Z4M0E1100B

Ref	Partnumber	Description	GX160UT1	Serial Numbers
001	28400-ZH8-023YA	STARTER ASSY., RECOIL *R280 *	1	2566537
001	28400-ZH8-023YA	STARTER ASSY., RECOIL *R280 *	1	2566537
001	28400-ZH8-023YA	STARTER ASSY., RECOIL *R280 *	1	2566537
001	28400-ZH8-023ZB	STARTER ASSY., RECOIL *NH1 *	1	
001	28400-ZH8-023ZB	STARTER ASSY., RECOIL *NH1 *	1	2521239
001	28400-ZH8-023ZB	STARTER ASSY., RECOIL *NH1 *	1	2521239
001	28400-ZH8-023ZB	STARTER ASSY., RECOIL *NH1 *	1	2521239
001	28400-ZH8-033YA	STARTER ASSY., RECOIL *R280*	1	2566538
001	28400-ZH8-033YA	STARTER ASSY., RECOIL *R280*	1	2566538
001	28400-ZH8-033YA	STARTER ASSY., RECOIL *R280*	1	2566538
001	28400-ZH8-033ZB	STARTER ASSY., RECOIL *NH1*	1	2521240
001	28400-ZH8-033ZB	STARTER ASSY., RECOIL *NH1*	1	2521240
002	28410-ZH8-003YA	CASE COMP., RECOIL STARTER *R280 *	1	

<u>Ref</u>	<u>Partnumber</u>	<u>Description</u>	<u>GX160UT1</u>	<u>Serial Numbers</u>
002	28410-ZH8-003YA	CASE COMP., RECOIL STARTER *R280 *	1	
002	28410-ZH8-003ZB	CASE COMP., RECOIL STARTER *NH1 *	1	
002	28410-ZH8-003ZB	CASE COMP., RECOIL STARTER *NH1 *	1	
002	28410-ZH8-003ZB	CASE COMP., RECOIL STARTER *NH1 *	1	
003	28421-ZH8-801	REEL, RECOIL STARTER (BLACK)	1	
003	28421-ZH8-801	REEL, RECOIL STARTER (BLACK)	1	
004	28422-ZH8-801	RATCHET, STARTER	2	
005	28431-ZH8-801	PLATE, FRICTION	1	
006	28433-ZH8-801	GUIDE, RATCHET	1	
007	28441-ZH8-801	SPRING, FRICTION	1	
008	28442-ZH8-003	SPRING, RECOIL STARTER	1	
009	28443-ZH8-801	SPRING, RETURN	2	
010	28461-ZH8-003	GRIP, STARTER	1	2448020
010	28461-ZH8-003	GRIP, STARTER	1	2448020
010	28461-ZH8-013	KNOB, RECOIL SRARTER	1	2448021
010	28461-ZH8-013	KNOB, RECOIL SRARTER	1	2448021
011	28462-ZH8-003	ROPE, RECOIL STARTER	1	
012	90003-ZH8-801	SCREW, SETTING	1	
013	90008-ZE2-003	BOLT, FLANGE, 6X10	3	

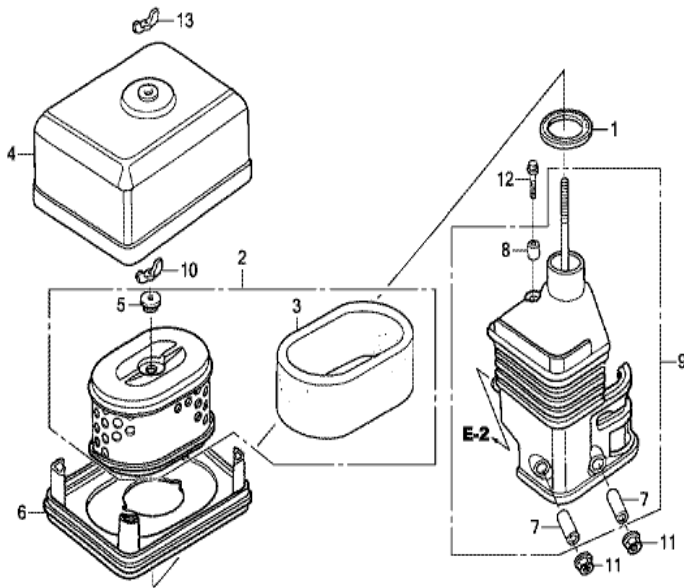


<u>Ref</u>	<u>Partnumber</u>	<u>Description</u>	<u>GX160UT1</u>	<u>Serial Numbers</u>
001	19610-ZE1-000ZC	COVER COMP., FAN *NH1 *	1	1699489
001	19610-ZE1-000ZC	COVER COMP., FAN *NH1 *	1	1699489
001	19610-ZE1-000ZP	COVER COMP., FAN *R280 *	1	1746956
001	19610-ZE1-000ZP	COVER COMP., FAN *R280 *	1	1699489
001	19610-ZE1-000ZP	COVER COMP., FAN *R280 *	1	1699489
001	19610-ZE1-010ZC	COVER COMP., FAN *NH1 *	1	1746957
001	19610-ZE1-010ZC	COVER COMP., FAN *NH1 *	1	1699490
001	19610-ZE1-010ZC	COVER COMP., FAN *NH1 *	1	1699490
001	19610-ZE1-010ZP	COVER COMP., FAN *R280 *	1	
001	19610-ZE1-010ZP	COVER COMP., FAN *R280 *	1	1699490
001	19610-ZE1-010ZP	COVER COMP., FAN *R280 *	1	1699490
004	19611-ZH8-810	PLATE COMP., SIDE (OIL ALERT)	1	
004	19611-ZH8-810	PLATE COMP., SIDE (OIL ALERT)	1	
<u>Ref</u>	<u>Partnumber</u>	<u>Description</u>	<u>GX160UT1</u>	<u>Serial Numbers</u>
008	19630-ZH8-000	SHROUD COMP.	1	
008	19630-ZH8-000	SHROUD COMP.	1	
008	19630-ZH8-000	SHROUD COMP.	1	
010	34150-ZH7-003	ALERT UNIT, OIL	1	
012	35120-Z0T-851	SWITCH ASSY., ENGINE STOP	1	
012	35120-Z0T-851	SWITCH ASSY., ENGINE STOP	1	
015	90013-883-000	BOLT, FLANGE, 6X12 (CT200)	6	
016	90022-888-010	BOLT, FLANGE, 6X20 (CT200)	1	
017	90601-ZH7-013	CLIP, HARNESS	1	
018	95701-0600800	BOLT, FLANGE, 6X8	1	



Ref	Partnumber	Description	GX160UT1	Serial Numbers
001	16010-ZE1-812	GASKET SET	1	
002	16011-ZE0-005	VALVE SET, FLOAT	1	
003	16013-ZOS-B01	FLOAT SET	1	
004	16015-ZE0-831	CHAMBER SET, FLOAT	1	
004	16015-ZE0-831	CHAMBER SET, FLOAT	1	
006	16016-ZH7-W01	SCREW SET, PILOT	1	
007	16024-ZE1-811	SCREW SET, DRAIN	1	
007	16024-ZE1-811	SCREW SET, DRAIN	1	
008	16028-ZE0-005	SCREW SET	1	
008	16028-ZE0-005	SCREW SET	1	
009	16044-ZE0-005	CHOKE SET	1	
009	16044-ZE0-005	CHOKE SET	1	
010	16100-ZOT-911	CARBURETOR ASSY. (BE65Q A)	1	

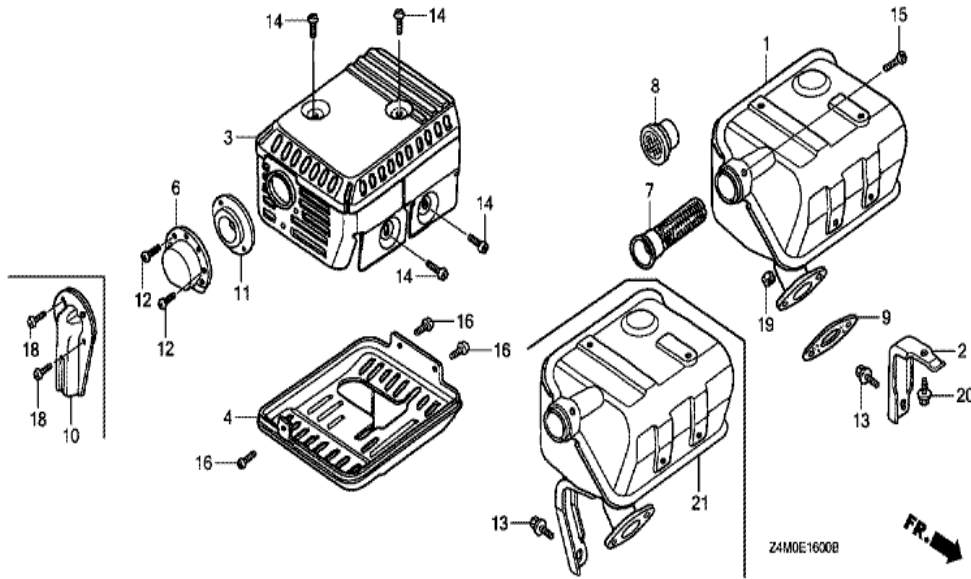
<u>Ref</u>	<u>Partnumber</u>	<u>Description</u>	<u>GX160UT1</u>	<u>Serial Numbers</u>
011	16124-ZE0-005	SCREW, THROTTLE STOP	1	
012	16166-ZH8-W50	NOZZLE, MAIN	1	BE65Q A
012	16166-ZH8-W50	NOZZLE, MAIN	1	
012	16166-ZH8-W50	NOZZLE, MAIN	1	
012	16166-ZH8-W50	NOZZLE, MAIN	1	
013	16173-001-004	PACKING, FUEL STRAINER CUP	1	
014	16211-ZE1-000	INSULATOR, CARBURETOR	1	
014	16211-ZE1-000	INSULATOR, CARBURETOR	1	
014	16211-ZE1-000	INSULATOR, CARBURETOR	1	
015	16212-ZH8-800	PACKING, INSULATOR	1	
016	16220-ZE1-020	SPACER COMP., CARBURETOR	1	
017	16221-ZH8-801	PACKING, CARBURETOR	1	
018	16610-ZE1-000	LEVER COMP., CHOKE (STD.)	1	
020	16953-ZE1-812	LEVER, COCK	1	
021	16954-ZE1-812	PLATE, LEVER SETTING	1	
022	16956-ZE1-811	SPRING, COCK LEVER	1	
023	16957-ZE1-812	PACKING, FUEL COCK	1	
024	16967-ZE0-811	CUP, FUEL STRAINER	1	
025	93500-030061H	SCREW, PAN, 3X6	2	
026	94305-20122	PIN, SPRING, 2X12	1	
029	99101-ZH80650	JET, MAIN, #65	(1)	
029	99101-ZH80650	JET, MAIN, #65	(1)	
029	99101-ZH80650	JET, MAIN, #65	1	
029	99101-ZH80650	JET, MAIN, #65	(1)	
029	99101-ZH80680	JET, MAIN, #68	(1)	
029	99101-ZH80680	JET, MAIN, #68	(1)	
029	99101-ZH80680	JET, MAIN, #68	1	
029	99101-ZH80680	JET, MAIN, #68	(1)	
029	99101-ZH80700	JET, MAIN, #70	1	
029	99101-ZH80700	JET, MAIN, #70	1	
029	99101-ZH80700	JET, MAIN, #70	1	
029	99101-ZH80700	JET, MAIN, #70	1	
030	99204-ZE00350	JET SET, PILOT, #35	1	
<u>Ref</u>	<u>Partnumber</u>	<u>Description</u>	<u>GX160UT1</u>	<u>Serial Numbers</u>
044	16141-ZOS-003	WASHER, PLAIN (6.2X10.7 DRAIN)	1	



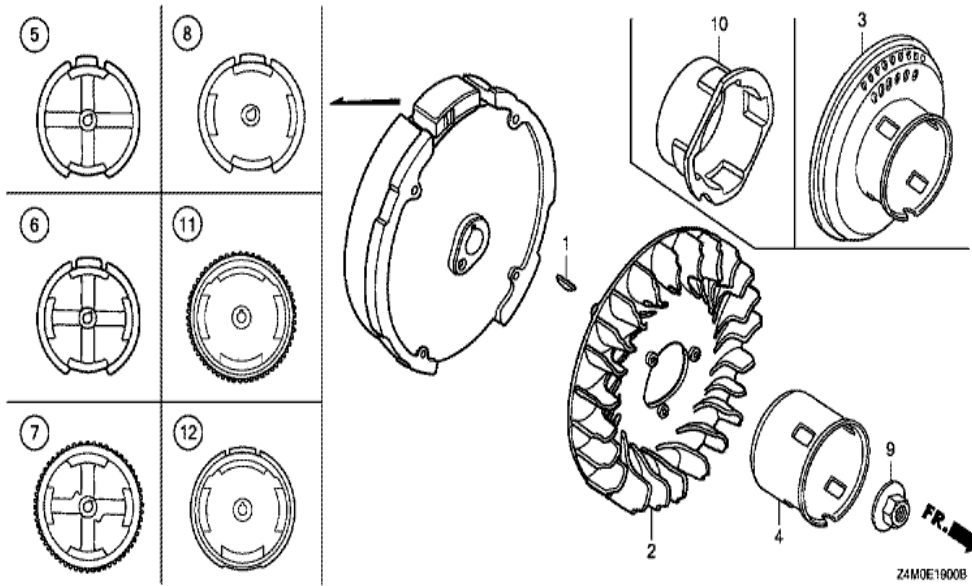
FR. →

Z4M0E1500A

Ref	Partnumber	Description	GX160UT1	Serial Numbers
001	16271-ZE1-000	PACKING, ELBOW	1	
002	17210-ZE1-822	ELEMENT, AIR CLEANER (DUAL)	1	
003	17218-ZE1-821	FILTER, OUTER	1	
004	17230-ZE1-820	COVER, AIR CLEANER (DUAL)	1	
005	17232-891-000	GROMMET, AIR CLEANER	1	
007	17238-ZE7-010	COLLAR, AIR CLEANER	2	
008	17239-ZE1-000	COLLAR B, AIR CLEANER	1	
009	17410-ZE1-020	ELBOW COMP., AIR CLEANER	1	
009	17410-ZE1-020	ELBOW COMP., AIR CLEANER	1	
010	90325-044-000	NUT, TOOL BOX SETTING	1	
011	94050-06000	NUT, FLANGE, 6MM	2	
012	95701-0602000	BOLT, FLANGE, 6X20	1	
013	90325-044-000	NUT, TOOL BOX SETTING	1	

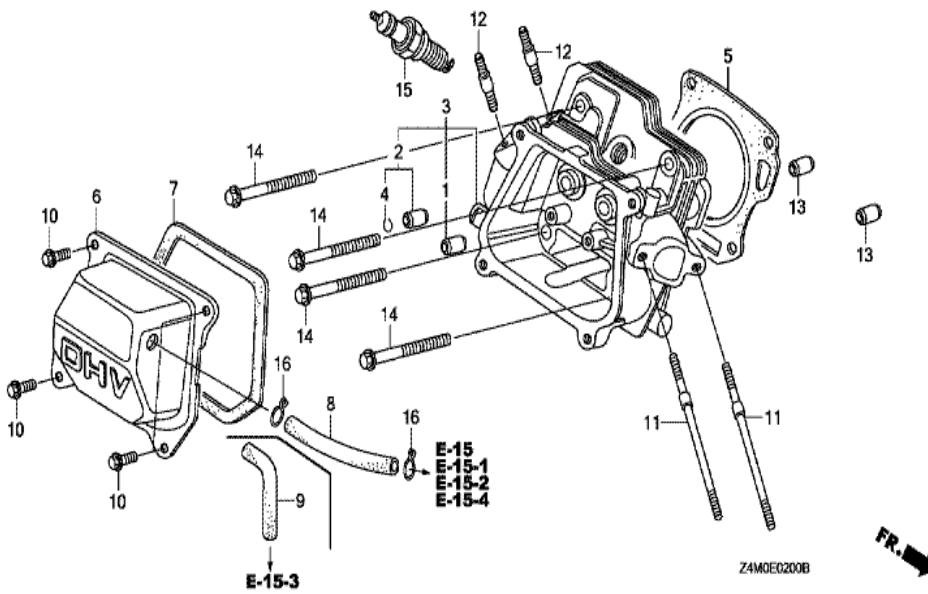


Ref	Partnumber	Description	GX160UT1	Serial Numbers
001	18310-ZF1-000	MUFFLER COMP. (STD.)	1	
001	18310-ZF1-000	MUFFLER COMP. (STD.)	1	
001	18310-ZF1-000	MUFFLER COMP. (STD.)	1	
001	18310-ZF1-000	MUFFLER COMP. (STD.)	1	
001	18310-ZH8-810	MUFFLER COMP. (ARRESTER)	(1)	
001	18310-ZH8-810	MUFFLER COMP. (ARRESTER)	(1)	
001	18310-ZH8-810	MUFFLER COMP. (ARRESTER)	1	
001	18310-ZH8-810	MUFFLER COMP. (ARRESTER)	(1)	
003	18320-ZF1-H01	PROTECTOR, MUFFLER (STD.) (BLACK)	1	
003	18320-ZF1-H01	PROTECTOR, MUFFLER (STD.) (BLACK)	1	
007	18355-ZE1-000	ARRESTER, SPARK	1	
007	18355-ZE1-000	ARRESTER, SPARK	(1)	
009	18381-ZOT-801	GASKET, MUFFLER	1	1394711
Ref	Partnumber	Description	GX160UT1	Serial Numbers
009	18381-ZH8-800	GASKET, MUFFLER	1	1394710
009	18381-ZH8-800	GASKET, MUFFLER	1	
009	18381-ZH8-800	GASKET, MUFFLER	1	1394710
014	90050-ZE1-000	SCREW, TAPPING, 5X8	4	
015	90055-ZE1-000	SCREW, TAPPING, 4X6	1	
015	90055-ZE1-000	SCREW, TAPPING, 4X6	(1)	
019	94001-08000S	NUT, HEX., 8MM	2	

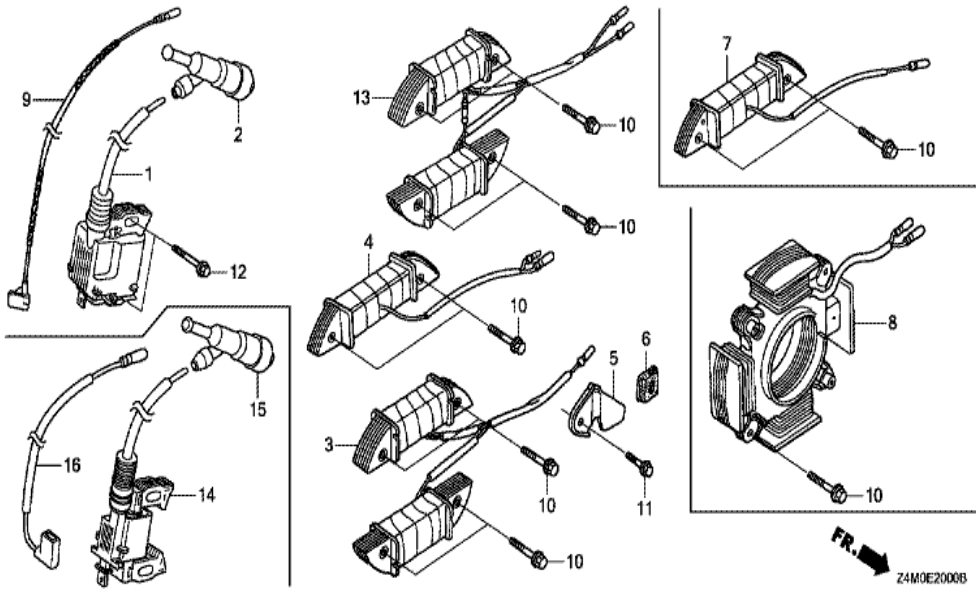


Ref	Partnumber	Description	GX160UT1	Serial Numbers
001	13331-357-000	KEY, SPECIAL WOODRUFF, 25X18	1	
002	19511-ZE1-000	FAN, COOLING	1	
004	28451-ZH8-801	PULLEY, STARTER	1	
005	31100-ZE1-010	FLYWHEEL COMP.	1	
009	90201-ZOT-800	NUT, SPECIAL, 14MM	1	

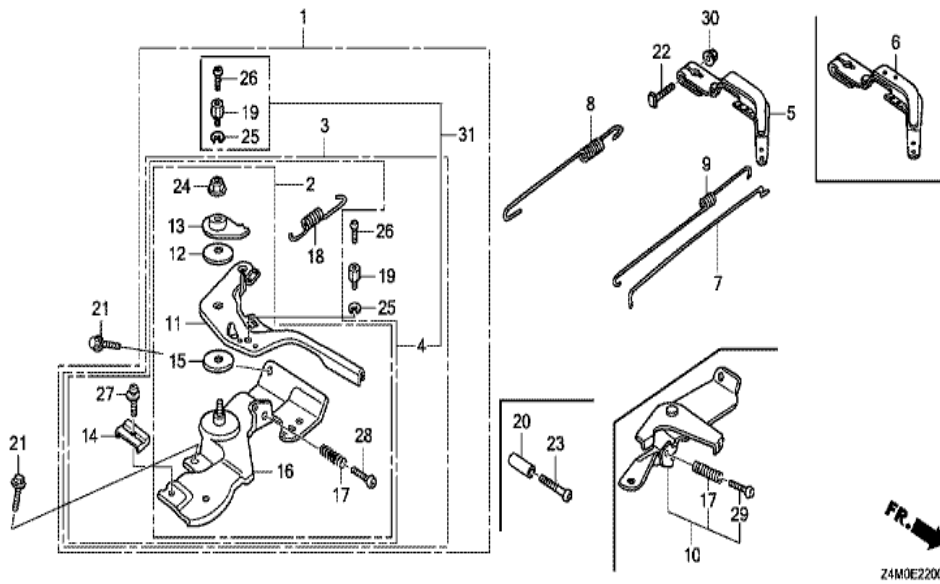




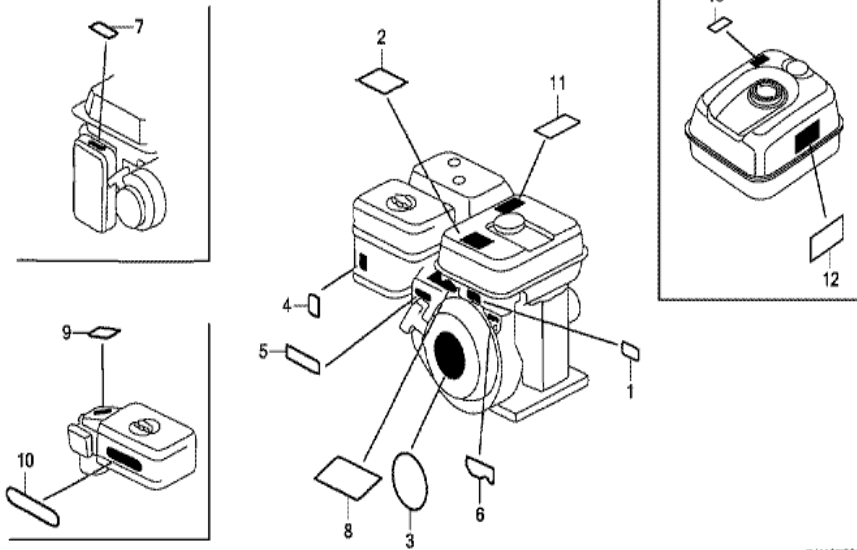
Ref	Partnumber	Description	GX160UT1	Serial Numbers
001	12204-ZE1-306	GUIDE, IN. VALVE (OS)	1	
002	12205-ZE1-315	GUIDE, EX. VALVE (OS)	1	
003	12210-ZH8-415	HEAD COMP., CYLINDER	1	
003	12210-ZH8-415	HEAD COMP., CYLINDER	1	
003	12210-ZH8-415	HEAD COMP., CYLINDER	1	
004	12216-ZE5-300	CLIP, VALVE GUIDE	1	
005	12251-Z0T-801	GASKET, CYLINDER HEAD	1	1394711
005	12251-ZF1-800	GASKET, CYLINDER HEAD	1	1584276
005	12251-ZF1-800	GASKET, CYLINDER HEAD	1	1394710
006	12310-ZE1-020	COVER COMP., HEAD	1	
006	12310-ZE1-020	COVER COMP., HEAD	1	
006	12310-ZE1-020	COVER COMP., HEAD	1	
007	12391-ZE1-000	PACKING, HEAD COVER	1	
<u>Ref</u>	<u>Partnumber</u>	<u>Description</u>	<u>GX160UT1</u>	<u>Serial Numbers</u>
008	15721-ZH8-000	TUBE, BREATHER	1	
008	15721-ZH8-000	TUBE, BREATHER	1	
010	90013-883-000	BOLT, FLANGE, 6X12 (CT200)	4	
011	90043-ZE1-020	BOLT, STUD, 6X112	2	
011	90043-ZE1-020	BOLT, STUD, 6X112	2	
012	90047-ZE1-000	BOLT, STUD, 8X32	2	
012	90047-ZE1-000	BOLT, STUD, 8X32	2	1888454
013	94301-10160	DOWEL PIN, 10X16	2	
014	95701-0806000	BOLT, FLANGE, 8X60	4	1891380
014	95723-0806000	BOLT, FLANGE, 8X60	4	1891379
014	95723-0806000	BOLT, FLANGE, 8X60	4	1891379
015	98079-55876	PLUG, SPARK (BPR5ES) (NGK)	(1)	
015	98079-55876	PLUG, SPARK (BPR5ES) (NGK)	(1)	
015	98079-55876	PLUG, SPARK (BPR5ES) (NGK)	(1)	
015	98079-56876	PLUG, SPARK (BPR6ES) (NGK)	1	
015	98079-56876	PLUG, SPARK (BPR6ES) (NGK)	1	
015	98079-56876	PLUG, SPARK (BPR6ES) (NGK)	1	



Ref	Partnumber	Description	GX160UT1	Serial Numbers
001	30500-Z0T-801	COIL ASSY., IGNITION	1	1584276
001	30500-Z0T-802	COIL ASSY., IGNITION (TEC)	1	
001	30500-Z0T-802	COIL ASSY., IGNITION (TEC)	1	1584277
002	30700-Z0T-811	CAP ASSY., NOISE SUPPRESSOR (NGK)	1	
009	36101-ZE1-010	CORD, STOP SWITCH (370MM)	1	
009	36101-ZE1-010	CORD, STOP SWITCH (370MM)	1	
012	90121-952-000	BOLT, FLANGE, 6X25 (CT200)	2	

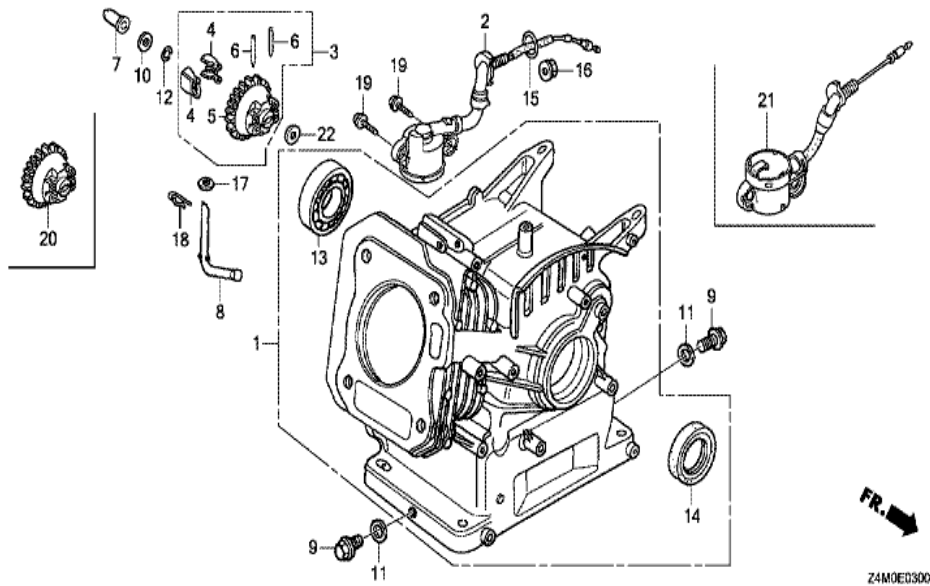


Ref	Partnumber	Description	GX160UT1	Serial Numbers
002	16500-ZH8-030	CONTROL ASSY.	1	
002	16500-ZH8-030	CONTROL ASSY.	1	
002	16500-ZH8-030	CONTROL ASSY.	1	
002	16500-ZH8-030	CONTROL ASSY.	1	
005	16551-ZE0-010	ARM, GOVERNOR	1	
005	16551-ZE0-010	ARM, GOVERNOR	1	
007	16555-ZE1-000	ROD, GOVERNOR	1	
007	16555-ZE1-000	ROD, GOVERNOR	1	
008	16561-ZE1-020	SPRING, GOVERNOR	1	
008	16561-ZE1-020	SPRING, GOVERNOR	1	
008	16561-ZE1-020	SPRING, GOVERNOR	1	
009	16562-ZE1-020	SPRING, THROTTLE RETURN	1	
009	16562-ZE1-020	SPRING, THROTTLE RETURN	1	
Ref	Partnumber	Description	GX160UT1	Serial Numbers
011	16571-ZH8-020	LEVER, CONTROL	1	
011	16571-ZH8-020	LEVER, CONTROL	1	
012	16574-ZE1-000	SPRING, LEVER	1	
013	16575-ZH8-000	WASHER, CONTROL LEVER	1	
015	16578-ZE1-000	SPACER, CONTROL LEVER	1	
016	16580-ZH8-030	BASE COMP., CONTROL	1	
016	16580-ZH8-030	BASE COMP., CONTROL	1	
016	16580-ZH8-030	BASE COMP., CONTROL	1	
017	16584-883-300	SPRING, CONTROL ADJUSTING	1	
021	90013-883-000	BOLT, FLANGE, 6X12 (CT200)	2	
022	90015-ZE5-010	BOLT, GOVERNOR ARM	1	
022	90015-ZE5-010	BOLT, GOVERNOR ARM	1	
024	90114-SA0-000	NUT, SELF-LOCK, 6MM	1	
028	93500-050250A	SCREW, PAN, 5X25	1	
028	93500-050250A	SCREW, PAN, 5X25	1	
030	94050-06000	NUT, FLANGE, 6MM	1	



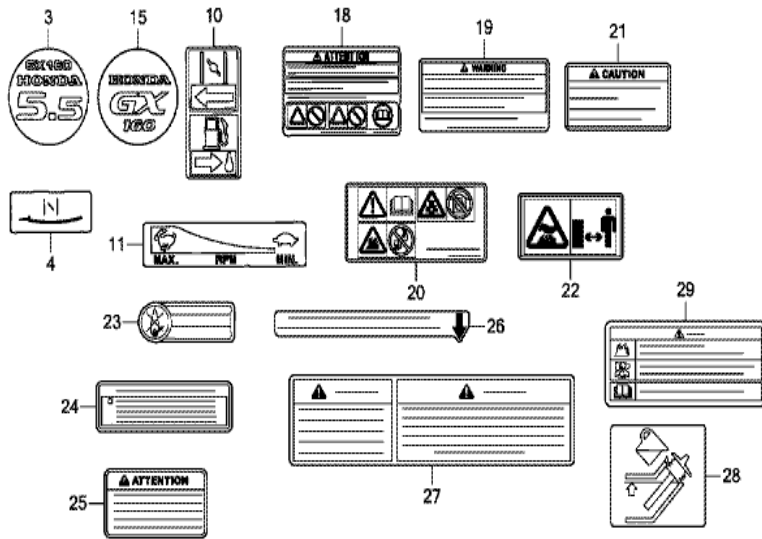
Z4M0E2800E

<u>Ref</u>	<u>Partnumber</u>	<u>Description</u>	<u>GX160UT1</u>	<u>Serial Numbers</u>
003	87521-ZH8-030	EMBLEM (GX160 5.5)	1	1782484
003	87521-ZH8-030	EMBLEM (GX160 5.5)	1	1782484
003	87521-ZH8-040	EMBLEM (GX160)	1	
003	87521-ZH8-040	EMBLEM (GX160)	1	
003	87521-ZH8-040	EMBLEM (GX160)	1	1782485
004	87528-ZH7-000	MARK, CHOKE (GRAY)	1	
004	87528-ZH7-000	MARK, CHOKE (GRAY)	1	
005	87532-ZH7-000	MARK, THROTTLE INDICATION	1	
008	87516-Z4H-000	MARK, OPERATOR CAUTION (ENGLISH) (MADE I	1	2566537
008	87516-Z4H-010	MARK, OPERATOR CAUTION (ENGLISH) (MADE I	1	2566538
008	87516-Z4H-800	MARK, OPERATOR CAUTION (FRENCH) (MADE IN	1	
008	87516-Z4H-810	MARK, OPERATOR CAUTION (PICTOGRAPH) (MAD	(1)	
008	87516-Z4H-810	MARK, OPERATOR CAUTION (PICTOGRAPH) (MAD	(1)	
<u>Ref</u>	<u>Partnumber</u>	<u>Description</u>	<u>GX160UT1</u>	<u>Serial Numbers</u>
008	87516-Z4H-810	MARK, OPERATOR CAUTION (PICTOGRAPH) (MAD	(1)	2431397



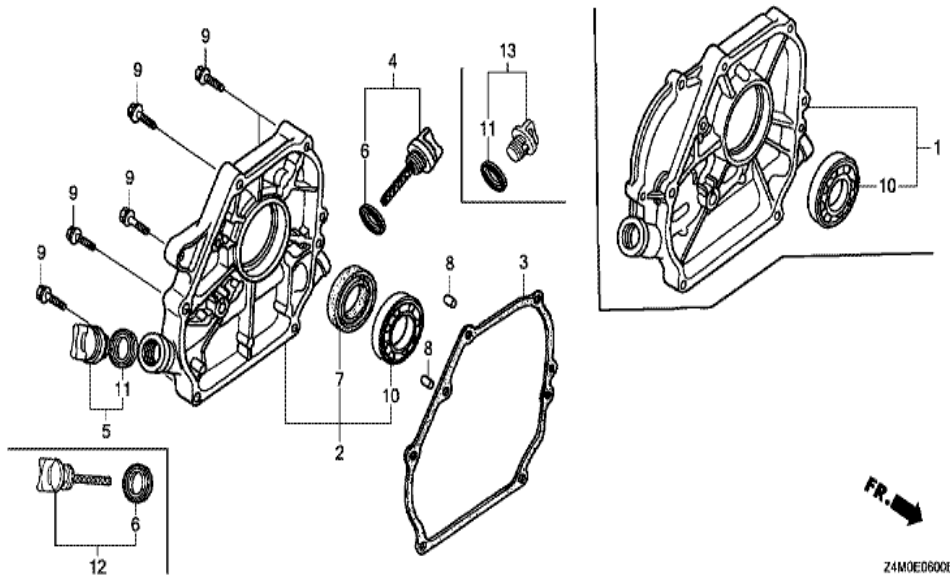
Ref	Partnumber	Description	GX160UT1	Serial Numbers
001	12000-Z0T-406	BARREL ASSY., CYLINDER (OIL ALERT)	1	
002	15510-ZE1-033	SWITCH ASSY., OIL LEVEL	1	1706983
003	16510-ZE1-000	GOVERNOR ASSY.	1	
003	16510-ZE1-000	GOVERNOR ASSY.	1	
004	16511-ZE1-000	WEIGHT, GOVERNOR	2	
004	16511-ZE1-000	WEIGHT, GOVERNOR	2	
005	16512-ZE1-000	HOLDER, GOVERNOR WEIGHT	1	
005	16512-ZE1-000	HOLDER, GOVERNOR WEIGHT	1	
006	16513-ZE1-000	PIN, GOVERNOR WEIGHT	2	
007	16531-ZE1-000	SLIDER, GOVERNOR	1	
007	16531-ZE1-000	SLIDER, GOVERNOR	1	
008	16541-ZE1-000	SHAFT, GOVERNOR ARM	1	
008	16541-ZE1-000	SHAFT, GOVERNOR ARM	1	

<u>Ref</u>	<u>Partnumber</u>	<u>Description</u>	<u>GX160UT1</u>	<u>Serial Numbers</u>
009	90131-ZE1-000	BOLT, DRAIN PLUG	2	
010	90451-ZE1-000	WASHER, THRUST, 6MM	1	
011	90601-ZE1-000	WASHER, DRAIN PLUG, 10.2MM	2	
012	90602-ZE1-000	CLIP, GOVERNOR HOLDER	1	
013	91001-Z4X-003	BEARING, RADIAL BALL (6205) (NSK)	1	
013	91001-Z4X-003	BEARING, RADIAL BALL (6205) (NSK)	1	
013	91001-ZF1-003	BEARING, RADIAL BALL (6205TMB) (NTN)	1	
013	91001-ZF1-003	BEARING, RADIAL BALL (6205TMB) (NTN)	1	
013	91001-ZF1-004	BEARING, RADIAL BALL (6205SH) (KOYO)	1	
013	91001-ZF1-004	BEARING, RADIAL BALL (6205SH) (KOYO)	1	
014	91201-Z0T-801	OIL SEAL, 25X41X6 (NOK)	1	
015	91353-671-004	O-RING, 14MM (NOK)	1	
016	94050-10000	NUT, FLANGE, 10MM	1	
017	94101-06800	WASHER, PLAIN, 6MM	1	
017	94101-06800	WASHER, PLAIN, 6MM	1	
018	94251-08000	PIN, LOCK, 8MM	1	
019	95701-0601200	BOLT, FLANGE, 6X12	2	
021	35480-Z0T-003	SWITCH ASSY., OIL LEVEL	1	
021	35480-Z0T-003	SWITCH ASSY., OIL LEVEL	1	1706984
022	94101-06800	WASHER, PLAIN, 6MM	1	



Z4M0E4000F

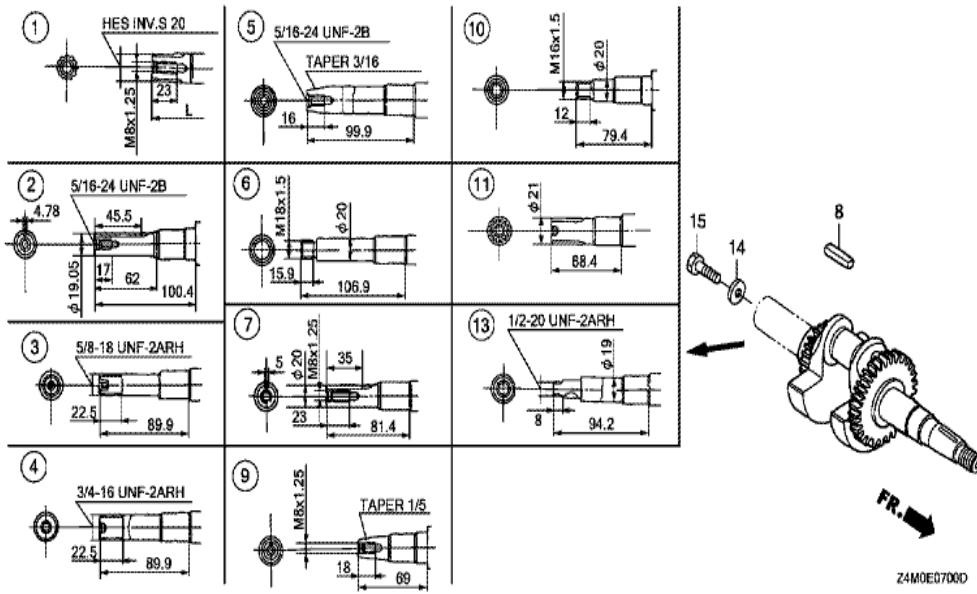
Ref	Partnumber	Description	GX160UT1	Serial Numbers
018	87516-Z4H-800	MARK, OPERATOR CAUTION (FRENCH) (MADE IN	1	2566537
019	87516-Z4H-801	MARK, OPERATOR CAUTION (FRENCH) (MADE IN	1	2566538
020	87519-Z4H-000	MARK, OPERATOR CAUTION (PICTOGRAPH)	1	2566538
021	87539-Z0J-810	MARK, EX. CAUTION (FRENCH)	1	2566538



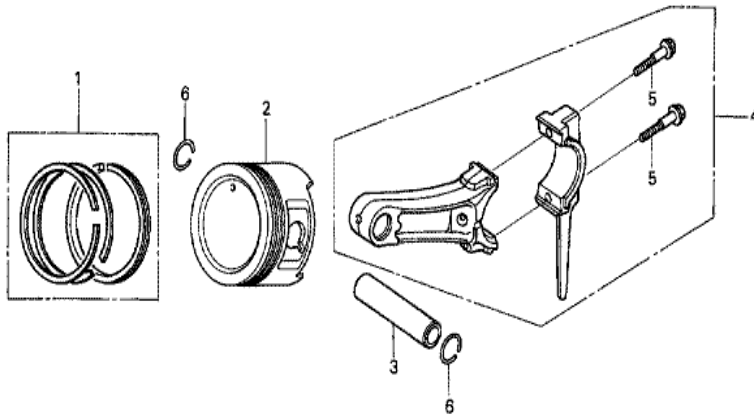
Z4M0E0600B

Ref	Partnumber	Description	GX160UT1	Serial Numbers
002	11300-ZE1-642	COVER ASSY., CRANKCASE	1	
002	11300-ZE1-642	COVER ASSY., CRANKCASE	1	
002	11300-ZE1-642	COVER ASSY., CRANKCASE	1	
002	11300-ZE1-642	COVER ASSY., CRANKCASE	1	
003	11381-ZH8-801	PACKING, CASE COVER (NON ASBESTOS)	1	
004	15600-ZOT-810	CAP ASSY., OIL FILLER (GAUGE) (GRAY)	1	
005	15600-ZOT-820	CAP ASSY., OIL FILLER (BLACK)	1	
006	15625-ZOT-800	PACKING, OIL FILLER CAP	1	
007	91201-ZOT-801	OIL SEAL, 25X41X6 (NOK)	1	
008	94301-08140	DOWEL PIN, 8X14	2	
009	95701-0803200	BOLT, FLANGE, 8X32	6	
010	96100-6205000	BEARING, RADIAL BALL, 6205	1	
011	15625-ZOT-800	PACKING, OIL FILLER CAP	1	





Ref	Partnumber	Description	GX160UT1	Serial Numbers
003	13310-Z0T-830	CRANKSHAFT COMP.	1	



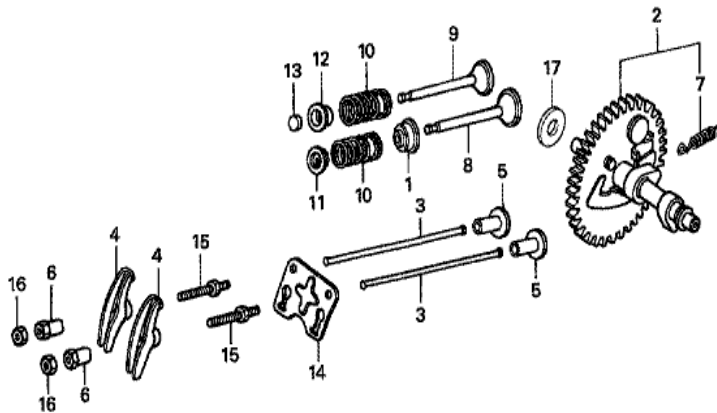
Z4M0-E0800



Ref	Partnumber	Description	GX160UT1	Serial Numbers
001	13010-Z0T-801	RING SET, PISTON (STD.) (RIKEN)	1	1699489
001	13010-Z4K-004	RING SET, PISTON (STD.) (TPR)	1	
001	13010-Z4K-004	RING SET, PISTON (STD.) (TPR)	1	1699490
001	13010-Z4M-003	RING SET, PISTON (STD.) (RIKEN)	1	1706984
001	13010-Z4M-003	RING SET, PISTON (STD.) (RIKEN)	1	1699490
001	13011-Z0T-801	RING SET, PISTON (0.25) (RIKEN)	(1)	1706983
001	13011-Z0T-801	RING SET, PISTON (0.25) (RIKEN)	(1)	1699489
001	13011-Z0T-801	RING SET, PISTON (0.25) (RIKEN)	(1)	1699489
001	13011-Z4K-004	RING SET, PISTON (0.25) (TPR)	(1)	1706984
001	13011-Z4K-004	RING SET, PISTON (0.25) (TPR)	(1)	1699490
001	13011-Z4K-004	RING SET, PISTON (0.25) (TPR)	(1)	1699490
001	13011-Z4M-003	RING SET, PISTON (0.25) (RIKEN)	(1)	
001	13011-Z4M-003	RING SET, PISTON (0.25) (RIKEN)	(1)	1699490

<u>Ref</u>	<u>Partnumber</u>	<u>Description</u>	<u>GX160UT1</u>	<u>Serial Numbers</u>
001	13011-Z4M-003	RING SET, PISTON (0.25) (RIKEN)	(1)	1699490
001	13012-Z0T-801	RING SET, PISTON (0.50) (RIKEN)	(1)	1706983
001	13012-Z0T-801	RING SET, PISTON (0.50) (RIKEN)	(1)	1699489
001	13012-Z0T-801	RING SET, PISTON (0.50) (RIKEN)	(1)	1699489
001	13012-Z4K-004	RING SET, PISTON (0.50) (TPR)	(1)	1706984
001	13012-Z4K-004	RING SET, PISTON (0.50) (TPR)	(1)	1699490
001	13012-Z4K-004	RING SET, PISTON (0.50) (TPR)	(1)	1699490
001	13012-Z4M-003	RING SET, PISTON (0.50) (RIKEN)	(1)	1706984
001	13012-Z4M-003	RING SET, PISTON (0.50) (RIKEN)	(1)	1699490
001	13012-Z4M-003	RING SET, PISTON (0.50) (RIKEN)	(1)	1699490
001	13012-Z4M-003	RING SET, PISTON (0.50) (RIKEN)	(1)	1699490
001	13013-Z0T-801	RING SET, PISTON (0.75) (RIKEN)	(1)	1706983
001	13013-Z0T-801	RING SET, PISTON (0.75) (RIKEN)	(1)	1699489
001	13013-Z0T-801	RING SET, PISTON (0.75) (RIKEN)	(1)	1699489
001	13013-Z0T-801	RING SET, PISTON (0.75) (RIKEN)	(1)	1699489
001	13013-Z4K-004	RING SET, PISTON (0.75) (TPR)	(1)	
001	13013-Z4K-004	RING SET, PISTON (0.75) (TPR)	(1)	
001	13013-Z4K-004	RING SET, PISTON (0.75) (TPR)	(1)	
001	13013-Z4K-004	RING SET, PISTON (0.75) (TPR)	(1)	1699490
001	13013-Z4M-003	RING SET, PISTON (0.75) (RIKEN)	(1)	1706984
001	13013-Z4M-003	RING SET, PISTON (0.75) (RIKEN)	(1)	
001	13013-Z4M-003	RING SET, PISTON (0.75) (RIKEN)	(1)	
001	13013-Z4M-003	RING SET, PISTON (0.75) (RIKEN)	(1)	1699490
002	13101-Z0T-810	PISTON (STD.)	1	1699489
002	13101-Z4M-000	PISTON (STD.)	1	2805810
002	13101-ZH8-020	PISTON (STD.)	1	
002	13101-ZH8-020	PISTON (STD.)	1	
002	13101-ZH8-020	PISTON (STD.)	1	2805809
002	13101-ZH8-020	PISTON (STD.)	1	1699490 2805809
002	13102-Z0T-810	PISTON (0.25)	(1)	1706983
002	13102-Z0T-810	PISTON (0.25)	(1)	1699489
002	13102-Z0T-810	PISTON (0.25)	(1)	1699489
002	13102-Z0T-810	PISTON (0.25)	(1)	1699489

<u>Ref</u>	<u>Partnumber</u>	<u>Description</u>	<u>GX160UT1</u>	<u>Serial Numbers</u>
002	13102-ZH8-020	PISTON (0.25)	(1)	1706984
002	13102-ZH8-020	PISTON (0.25)	(1)	
002	13102-ZH8-020	PISTON (0.25)	(1)	
002	13102-ZH8-020	PISTON (0.25)	(1)	
002	13102-ZH8-020	PISTON (0.25)	(1)	1699490
002	13103-Z0T-810	PISTON (0.50)	(1)	1706983
002	13103-Z0T-810	PISTON (0.50)	(1)	1699489
002	13103-Z0T-810	PISTON (0.50)	(1)	1699489
002	13103-Z0T-810	PISTON (0.50)	(1)	1699489
002	13103-Z0T-810	PISTON (0.50)	(1)	1699489
002	13103-ZH8-020	PISTON (0.50)	(1)	1706984
002	13103-ZH8-020	PISTON (0.50)	(1)	
002	13103-ZH8-020	PISTON (0.50)	(1)	
002	13103-ZH8-020	PISTON (0.50)	(1)	1699490
002	13103-ZH8-020	PISTON (0.50)	(1)	1699490
002	13104-Z0T-810	PISTON (0.75)	(1)	1706983
002	13104-Z0T-810	PISTON (0.75)	(1)	1699489
002	13104-Z0T-810	PISTON (0.75)	(1)	1699489
002	13104-Z0T-810	PISTON (0.75)	(1)	1699489
002	13104-Z0T-810	PISTON (0.75)	(1)	1699489
002	13104-ZH8-020	PISTON (0.75)	(1)	
002	13104-ZH8-020	PISTON (0.75)	(1)	
002	13104-ZH8-020	PISTON (0.75)	(1)	
002	13104-ZH8-020	PISTON (0.75)	(1)	1699490
003	13111-ZE1-000	PIN, PISTON	1	
003	13111-ZE1-000	PIN, PISTON	1	
004	13200-Z0T-800	ROD ASSY., CONNECTING (TH)	1	
004	13200-ZE1-020	ROD ASSY., CONNECTING (STD.)	1	2988544
004	13200-ZE1-020	ROD ASSY., CONNECTING (STD.)	1	2988544
005	90001-ZE1-000	BOLT, CONNECTING ROD	2	
005	90001-ZE1-000	BOLT, CONNECTING ROD	2	
006	90551-ZE1-000	CLIP, PISTON PIN, 18MM	2	



Z4M0-EG900A



<u>Ref</u>	<u>Partnumber</u>	<u>Description</u>	<u>GX160UT1</u>	<u>Serial Numbers</u>
001	12209-ZH8-003	SEAL, VALVE STEM	1	
001	12209-ZH8-003	SEAL, VALVE STEM	1	
002	14100-ZE1-812	CAMSHAFT ASSY.	1	
002	14100-ZE1-812	CAMSHAFT ASSY.	1	
002	14100-ZE1-812	CAMSHAFT ASSY.	1	
003	14410-ZE1-010	ROD, PUSH	2	
003	14410-ZE1-010	ROD, PUSH	2	
004	14431-ZE1-000	ARM, VALVE ROCKER	2	
005	14441-ZE1-010	LIFTER, VALVE	2	
006	14451-ZE1-013	PIVOT, ROCKER ARM	2	
006	14451-ZE1-013	PIVOT, ROCKER ARM	2	
007	14568-ZE1-000	SPRING, WEIGHT RETURN	1	
008	14711-ZF1-000	VALVE, IN.	1	
<u>Ref</u>	<u>Partnumber</u>	<u>Description</u>	<u>GX160UT1</u>	<u>Serial Numbers</u>
008	14711-ZF1-000	VALVE, IN.	1	
009	14721-ZH8-810	VALVE, EX. (STELLITE)	1	
009	14721-ZH8-810	VALVE, EX. (STELLITE)	1	
009	14721-ZH8-810	VALVE, EX. (STELLITE)	1	
010	14751-ZF1-000	SPRING, VALVE	2	
011	14771-ZE1-000	RETAINER, IN. VALVE SPRING	1	
011	14771-ZE1-000	RETAINER, IN. VALVE SPRING	1	
011	14771-ZE1-000	RETAINER, IN. VALVE SPRING	1	
012	14773-ZE1-000	RETAINER, EX. VALVE SPRING	1	
012	14773-ZE1-000	RETAINER, EX. VALVE SPRING	1	
012	14773-ZE1-000	RETAINER, EX. VALVE SPRING	1	
012	14773-ZE1-000	RETAINER, EX. VALVE SPRING	1	
012	14773-ZE1-000	RETAINER, EX. VALVE SPRING	1	
013	14781-ZE1-000	ROTATOR, VALVE	1	
014	14791-ZE1-010	PLATE, PUSH ROD GUIDE	1	
014	14791-ZE1-010	PLATE, PUSH ROD GUIDE	1	
015	90012-ZE0-010	BOLT, PIVOT, 8MM	2	
016	90206-ZE1-000	NUT, PIVOT ADJUSTING	2	