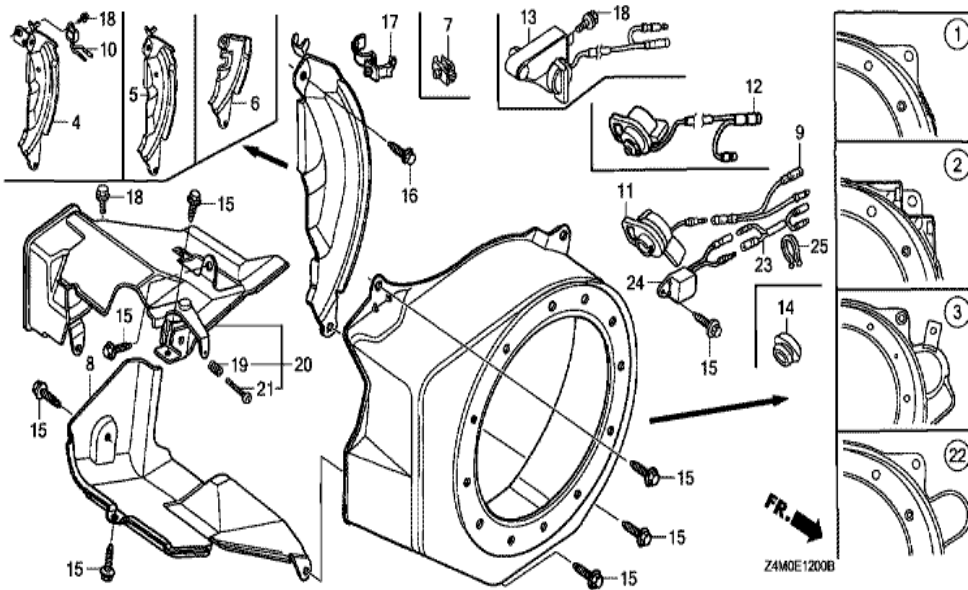
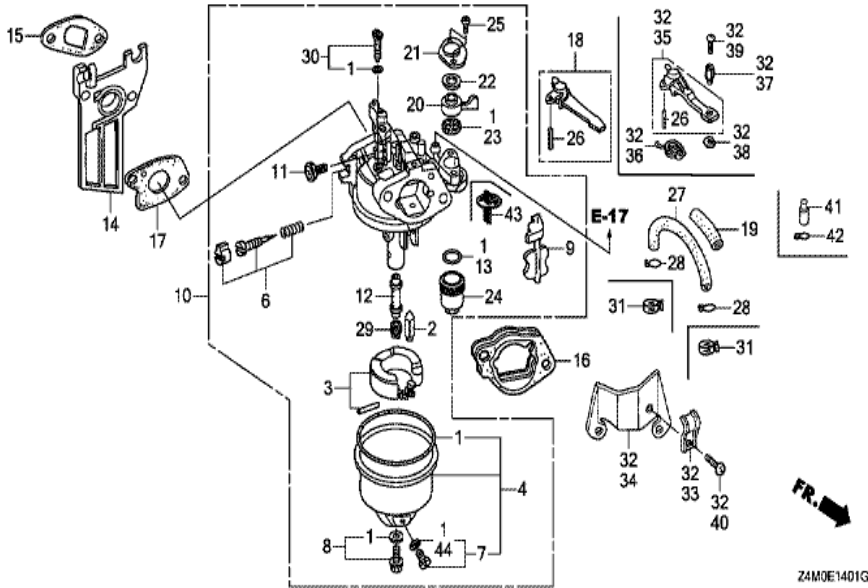


Z4M0E11008

| <u>Ref</u> | <u>Partnumber</u> | <u>Description</u> | <u>GX16OUT1</u> | <u>Serial Numbers</u> |
|------------|-------------------|------------------------------------|-----------------|-----------------------|
| 001 | 28400-ZH8-033YA | STARTER ASSY., RECOIL *R280* | 1 | |
| 001 | 28400-ZH8-033YA | STARTER ASSY., RECOIL *R280* | 1 | |
| 001 | 28400-ZH8-033YA | STARTER ASSY., RECOIL *R280* | 1 | |
| 001 | 28400-ZH8-033YA | STARTER ASSY., RECOIL *R280* | 1 | |
| 002 | 28410-ZH8-003YA | CASE COMP., RECOIL STARTER *R280 * | 1 | |
| 002 | 28410-ZH8-003YA | CASE COMP., RECOIL STARTER *R280 * | 1 | |
| 003 | 28421-ZH8-801 | REEL, RECOIL STARTER (BLACK) | 1 | |
| 003 | 28421-ZH8-801 | REEL, RECOIL STARTER (BLACK) | 1 | |
| 004 | 28422-ZH8-801 | RATCHET, STARTER | 2 | |
| 005 | 28431-ZH8-801 | PLATE, FRICTION | 1 | |
| 006 | 28433-ZH8-801 | GUIDE, RATCHET | 1 | |
| 007 | 28441-ZH8-801 | SPRING, FRICTION | 1 | |
| 008 | 28442-ZH8-003 | SPRING, RECOIL STARTER | 1 | |
| <u>Ref</u> | <u>Partnumber</u> | <u>Description</u> | <u>GX16OUT1</u> | <u>Serial Numbers</u> |
| 009 | 28443-ZH8-801 | SPRING, RETURN | 2 | |
| 010 | 28461-ZH8-013 | KNOB, RECOIL SRARTER | 1 | |
| 011 | 28462-ZH8-003 | ROPE, RECOIL STARTER | 1 | |
| 012 | 90003-ZH8-801 | SCREW, SETTING | 1 | |
| 013 | 90008-ZE2-003 | BOLT, FLANGE, 6X10 | 3 | |



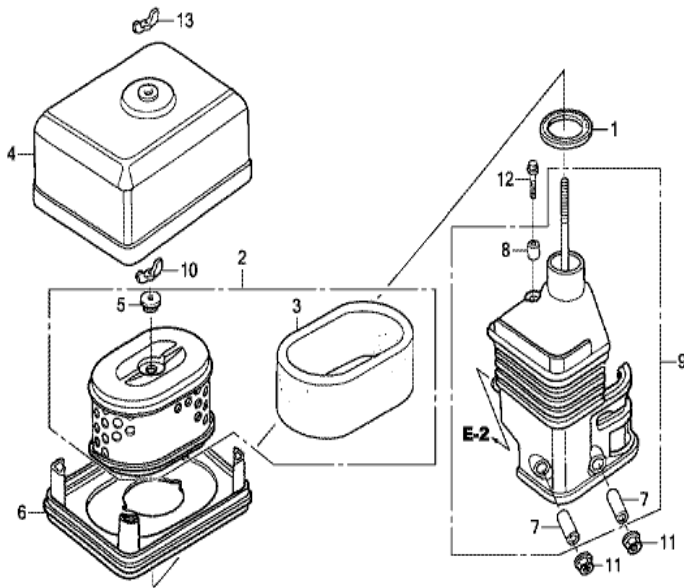
| <u>Ref</u> | <u>Partnumber</u> | <u>Description</u> | <u>GX160UT1</u> | <u>Serial Numbers</u> |
|------------|-------------------|-------------------------------|-----------------|-----------------------|
| 001 | 19610-ZE1-010ZP | COVER COMP., FAN *R280 * | 1 | |
| 001 | 19610-ZE1-010ZP | COVER COMP., FAN *R280 * | 1 | |
| 001 | 19610-ZE1-010ZP | COVER COMP., FAN *R280 * | 1 | |
| 004 | 19611-ZH8-810 | PLATE COMP., SIDE (OIL ALERT) | 1 | |
| 004 | 19611-ZH8-810 | PLATE COMP., SIDE (OIL ALERT) | 1 | |
| 008 | 19630-ZH8-000 | SHROUD COMP. | 1 | |
| 008 | 19630-ZH8-000 | SHROUD COMP. | 1 | |
| 008 | 19630-ZH8-000 | SHROUD COMP. | 1 | |
| 010 | 34150-ZH7-013 | ALERT UNIT, OIL | 1 | |
| 012 | 35120-Z0T-851 | SWITCH ASSY., ENGINE STOP | 1 | |
| 012 | 35120-Z0T-851 | SWITCH ASSY., ENGINE STOP | 1 | |
| 015 | 90013-883-000 | BOLT, FLANGE, 6X12 (CT200) | 6 | |
| 016 | 90022-888-010 | BOLT, FLANGE, 6X20 (CT200) | 1 | |
| <u>Ref</u> | <u>Partnumber</u> | <u>Description</u> | <u>GX160UT1</u> | <u>Serial Numbers</u> |
| 017 | 90601-ZH7-013 | CLIP, HARNESS | 1 | |
| 018 | 95701-0600800 | BOLT, FLANGE, 6X8 | 1 | |



Z4M0E1401G

| Ref | Partnumber | Description | GX160UT1 | Serial Numbers |
|-----|---------------|----------------------------|----------|----------------|
| 001 | 16010-ZE1-812 | GASKET SET | 1 | |
| 002 | 16011-ZE0-005 | VALVE SET, FLOAT | 1 | |
| 003 | 16013-ZOS-B01 | FLOAT SET | 1 | |
| 004 | 16015-ZE0-831 | CHAMBER SET, FLOAT | 1 | |
| 004 | 16015-ZE0-831 | CHAMBER SET, FLOAT | 1 | |
| 006 | 16016-ZH7-W01 | SCREW SET, PILOT | 1 | |
| 007 | 16024-ZE1-811 | SCREW SET, DRAIN | 1 | |
| 007 | 16024-ZE1-811 | SCREW SET, DRAIN | 1 | |
| 008 | 16028-ZE0-005 | SCREW SET | 1 | |
| 008 | 16028-ZE0-005 | SCREW SET | 1 | |
| 009 | 16044-ZE0-005 | CHOKE SET | 1 | |
| 009 | 16044-ZE0-005 | CHOKE SET | 1 | |
| 010 | 16100-ZOT-911 | CARBURETOR ASSY. (BE65Q A) | 1 | |

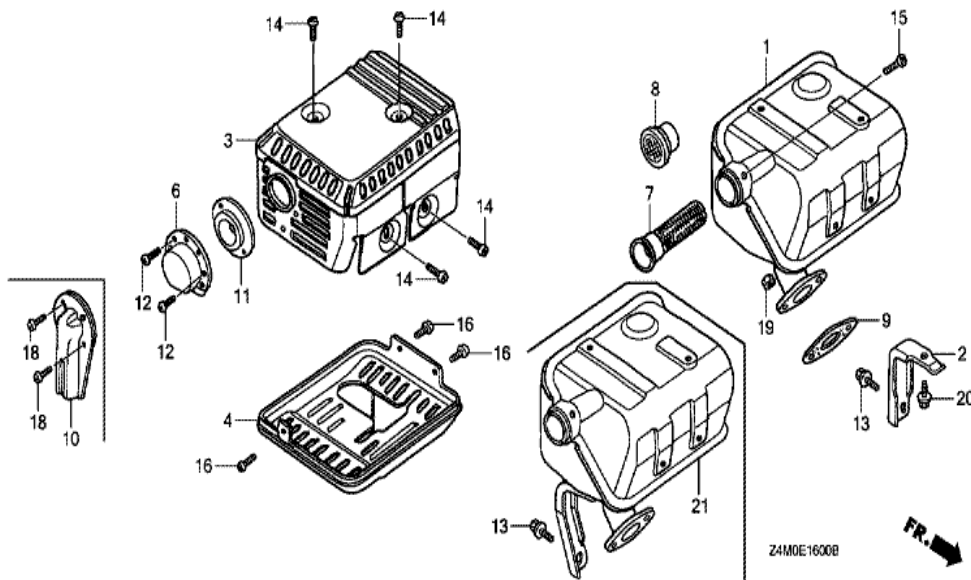
| <u>Ref</u> | <u>Partnumber</u> | <u>Description</u> | <u>GX160UT1</u> | <u>Serial Numbers</u> |
|------------|-------------------|--------------------------------|-----------------|-----------------------|
| 011 | 16124-ZE0-005 | SCREW, THROTTLE STOP | 1 | |
| 012 | 16166-ZH8-W50 | NOZZLE, MAIN | 1 | BE65Q A |
| 012 | 16166-ZH8-W50 | NOZZLE, MAIN | 1 | |
| 012 | 16166-ZH8-W50 | NOZZLE, MAIN | 1 | |
| 012 | 16166-ZH8-W50 | NOZZLE, MAIN | 1 | |
| 013 | 16173-001-004 | PACKING, FUEL STRAINER CUP | 1 | |
| 014 | 16211-Z1T-000 | INSULATOR, CARBURETOR (JLH) | 1 | |
| 014 | 16211-Z1T-000 | INSULATOR, CARBURETOR (JLH) | 1 | |
| 014 | 16211-Z1T-000 | INSULATOR, CARBURETOR (JLH) | 1 | |
| 014 | 16211-ZE1-000 | INSULATOR, CARBURETOR | 1 | |
| 014 | 16211-ZE1-000 | INSULATOR, CARBURETOR | 1 | |
| 014 | 16211-ZE1-000 | INSULATOR, CARBURETOR | 1 | |
| 015 | 16212-ZH8-800 | PACKING, INSULATOR | 1 | |
| 016 | 16220-ZE1-020 | SPACER COMP., CARBURETOR | 1 | |
| 017 | 16221-ZH8-801 | PACKING, CARBURETOR | 1 | |
| 018 | 16610-ZE1-000 | LEVER COMP., CHOKE (STD.) | 1 | |
| 020 | 16953-ZE1-812 | LEVER, COCK | 1 | |
| 021 | 16954-ZE1-812 | PLATE, LEVER SETTING | 1 | |
| 022 | 16956-ZE1-811 | SPRING, COCK LEVER | 1 | |
| 023 | 16957-ZE1-812 | PACKING, FUEL COCK | 1 | |
| 024 | 16967-ZE0-811 | CUP, FUEL STRAINER | 1 | |
| 025 | 93500-030061H | SCREW, PAN, 3X6 | 2 | |
| 026 | 94305-20122 | PIN, SPRING, 2X12 | 1 | |
| 029 | 99101-ZH80650 | JET, MAIN, #65 | (1) | |
| 029 | 99101-ZH80650 | JET, MAIN, #65 | (1) | |
| 029 | 99101-ZH80650 | JET, MAIN, #65 | 1 | |
| 029 | 99101-ZH80650 | JET, MAIN, #65 | (1) | |
| 029 | 99101-ZH80680 | JET, MAIN, #68 | (1) | |
| 029 | 99101-ZH80680 | JET, MAIN, #68 | (1) | |
| 029 | 99101-ZH80680 | JET, MAIN, #68 | 1 | |
| 029 | 99101-ZH80680 | JET, MAIN, #68 | (1) | |
| 029 | 99101-ZH80700 | JET, MAIN, #70 | 1 | |
| 029 | 99101-ZH80700 | JET, MAIN, #70 | 1 | |
| <u>Ref</u> | <u>Partnumber</u> | <u>Description</u> | <u>GX160UT1</u> | <u>Serial Numbers</u> |
| 029 | 99101-ZH80700 | JET, MAIN, #70 | 1 | |
| 029 | 99101-ZH80700 | JET, MAIN, #70 | 1 | |
| 030 | 99204-ZE00350 | JET SET, PILOT, #35 | 1 | |
| 044 | 16141-Z0S-003 | WASHER, PLAIN (6.2X10.7 DRAIN) | 1 | |



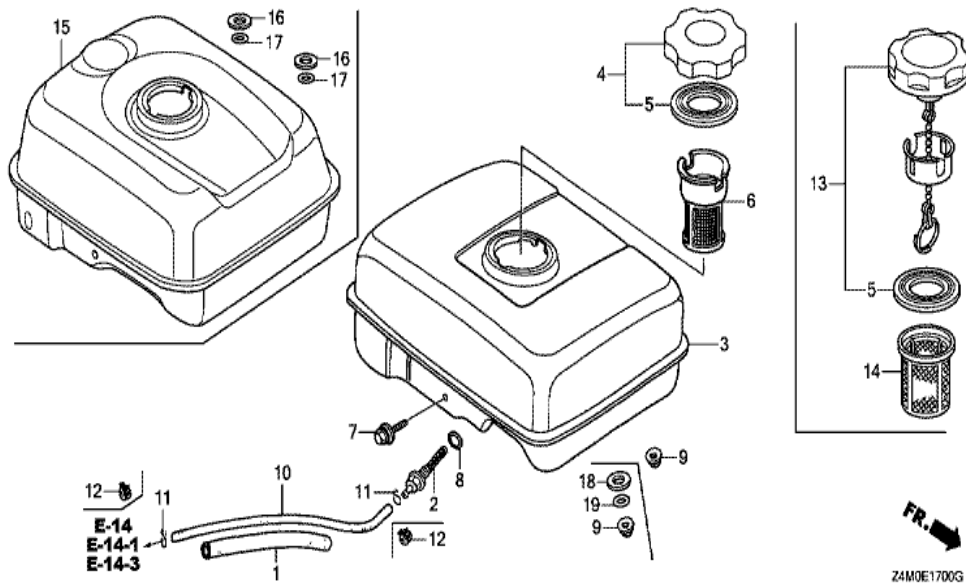
FR. →

Z4M0E1500A

| <u>Ref</u> | <u>Partnumber</u> | <u>Description</u> | <u>GX160UT1</u> | <u>Serial Numbers</u> |
|------------|-------------------|-----------------------------|-----------------|-----------------------|
| 001 | 16271-ZE1-000 | PACKING, ELBOW | 1 | |
| 002 | 17210-ZE1-822 | ELEMENT, AIR CLEANER (DUAL) | 1 | |
| 003 | 17218-ZE1-821 | FILTER, OUTER | 1 | |
| 004 | 17230-ZE1-820 | COVER, AIR CLEANER (DUAL) | 1 | |
| 005 | 17232-891-000 | GROMMET, AIR CLEANER | 1 | |
| 006 | 17235-ZE1-831 | NOSE, SILENCER | 1 | |
| 006 | 17235-ZE1-831 | NOSE, SILENCER | 1 | |
| 007 | 17238-ZE7-010 | COLLAR, AIR CLEANER | 2 | |
| 008 | 17239-ZE1-000 | COLLAR B, AIR CLEANER | 1 | |
| 009 | 17410-ZE1-020 | ELBOW COMP., AIR CLEANER | 1 | |
| 009 | 17410-ZE1-020 | ELBOW COMP., AIR CLEANER | 1 | |
| 010 | 90325-044-000 | NUT, TOOL BOX SETTING | 1 | |
| 011 | 94050-06000 | NUT, FLANGE, 6MM | 2 | |
| <u>Ref</u> | <u>Partnumber</u> | <u>Description</u> | <u>GX160UT1</u> | <u>Serial Numbers</u> |
| 012 | 95701-0602000 | BOLT, FLANGE, 6X20 | 1 | |
| 013 | 90325-044-000 | NUT, TOOL BOX SETTING | 1 | |

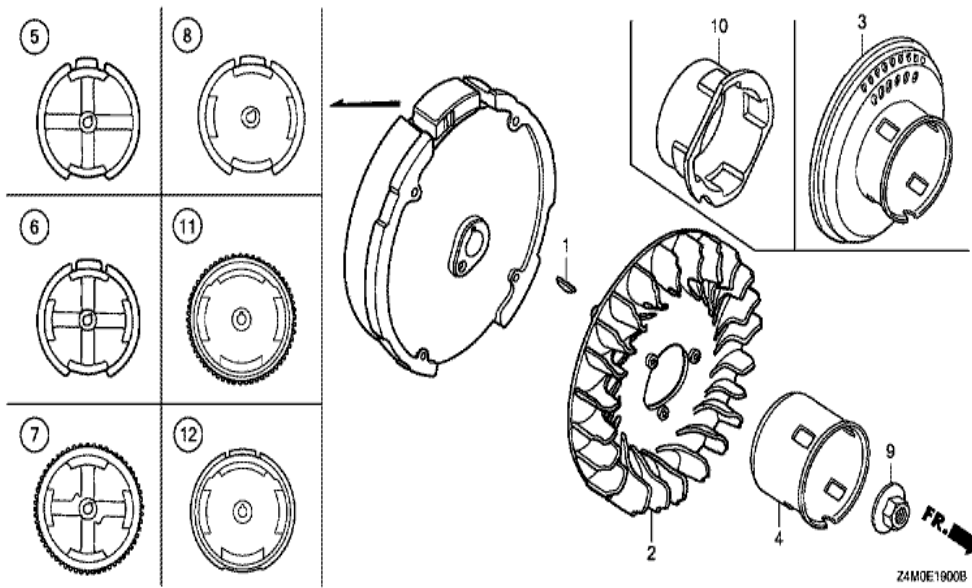


| <u>Ref</u> | <u>Partnumber</u> | <u>Description</u> | <u>GX160UT1</u> | <u>Serial Numbers</u> |
|------------|-------------------|-----------------------------|-----------------|-----------------------|
| 001 | 18310-Z8K-870 | MUFFLER COMP. (SILENT) | 1 | |
| 001 | 18310-Z8K-870 | MUFFLER COMP. (SILENT) | 1 | |
| 001 | 18310-Z8K-870 | MUFFLER COMP. (SILENT) | 1 | |
| 001 | 18310-ZH8-810 | MUFFLER COMP. (ARRESTER) | (1) | |
| 001 | 18310-ZH8-810 | MUFFLER COMP. (ARRESTER) | (1) | |
| 001 | 18310-ZH8-810 | MUFFLER COMP. (ARRESTER) | 1 | |
| 001 | 18310-ZH8-810 | MUFFLER COMP. (ARRESTER) | (1) | |
| 002 | 18315-ZE1-000 | STAY, MUFFLER | 1 | |
| 003 | 18320-ZF1-H52 | PROTECTOR, MUFFLER (SILENT) | 1 | |
| 003 | 18320-ZF1-H52 | PROTECTOR, MUFFLER (SILENT) | 1 | |
| 003 | 18320-ZF1-H52 | PROTECTOR, MUFFLER (SILENT) | 1 | |
| 007 | 18355-ZE1-000 | ARRESTER, SPARK | 1 | |
| 007 | 18355-ZE1-000 | ARRESTER, SPARK | (1) | |
| <u>Ref</u> | <u>Partnumber</u> | <u>Description</u> | <u>GX160UT1</u> | <u>Serial Numbers</u> |
| 008 | 18361-ZL0-000 | NETTING, WIRE FLANGE | 1 | |
| 009 | 18381-Z0T-801 | GASKET, MUFFLER | 1 | |
| 009 | 18381-Z0T-801 | GASKET, MUFFLER | 1 | 1394711 |
| 013 | 90016-ZE1-000 | BOLT, FLANGE, 6X13 (CT200) | 1 | |
| 014 | 90050-ZE1-000 | SCREW, TAPPING, 5X8 | 4 | |
| 015 | 90055-ZE1-000 | SCREW, TAPPING, 4X6 | 1 | |
| 015 | 90055-ZE1-000 | SCREW, TAPPING, 4X6 | (1) | |
| 015 | 90056-ZL0-000 | SCREW, TAPPING, 4X6 | 1 | |
| 015 | 90056-ZL0-000 | SCREW, TAPPING, 4X6 | 1 | |
| 019 | 94001-080000S | NUT, HEX., 8MM | 2 | |
| 020 | 95701-0601200 | BOLT, FLANGE, 6X12 | 1 | |



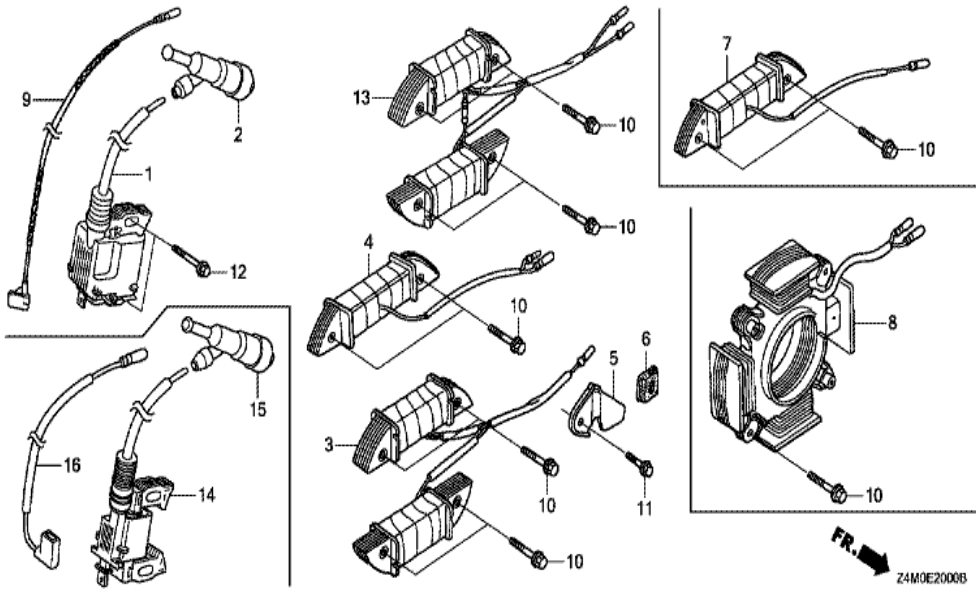
Z4M0E1700G

| Ref | Partnumber | Description | GX160UT1 | Serial Numbers |
|-----|-----------------|--|----------|----------------|
| 001 | 16854-ZH8-000 | RUBBER, SUPPORTER (107MM) | 1 | |
| 002 | 16955-ZE1-000 | JOINT, FUEL TANK | 1 | |
| 003 | 17510-Z0T-010ZC | TANK COMP., FUEL *NH31 * | 1 | |
| 003 | 17510-Z0T-010ZC | TANK COMP., FUEL *NH31 * | 1 | |
| 003 | 17510-Z0T-010ZC | TANK COMP., FUEL *NH31 * | 1 | |
| 003 | 17510-Z0T-010ZC | TANK COMP., FUEL *NH31 * | 1 | |
| 005 | 17631-Z0T-801 | PACKING, FUEL FILLER CAP (39X62X3) (RADI | 1 | |
| 005 | 17631-Z0T-801 | PACKING, FUEL FILLER CAP (39X62X3) (RADI | 1 | |
| 005 | 17631-Z0T-801 | PACKING, FUEL FILLER CAP (39X62X3) (RADI | 2 | |
| 007 | 90004-ZH7-003 | BOLT, FLANGE, 6X29 | 1 | |
| 008 | 91353-671-004 | O-RING, 14MM (NOK) | 1 | |
| 009 | 94050-06000 | NUT, FLANGE, 6MM | 2 | |
| 010 | 91424-Z4F-802 | TUBE, FUEL, 4.5X140 (FKM) | 1 | |
| Ref | Partnumber | Description | GX160UT1 | Serial Numbers |
| 012 | 95002-4080008 | CLAMP, TUBE (D8) | 2 | |
| 013 | 17620-Z4H-020 | CAP COMP., FUEL FILLER | 1 | 2125382 |
| 013 | 17620-Z4H-020 | CAP COMP., FUEL FILLER | 1 | |

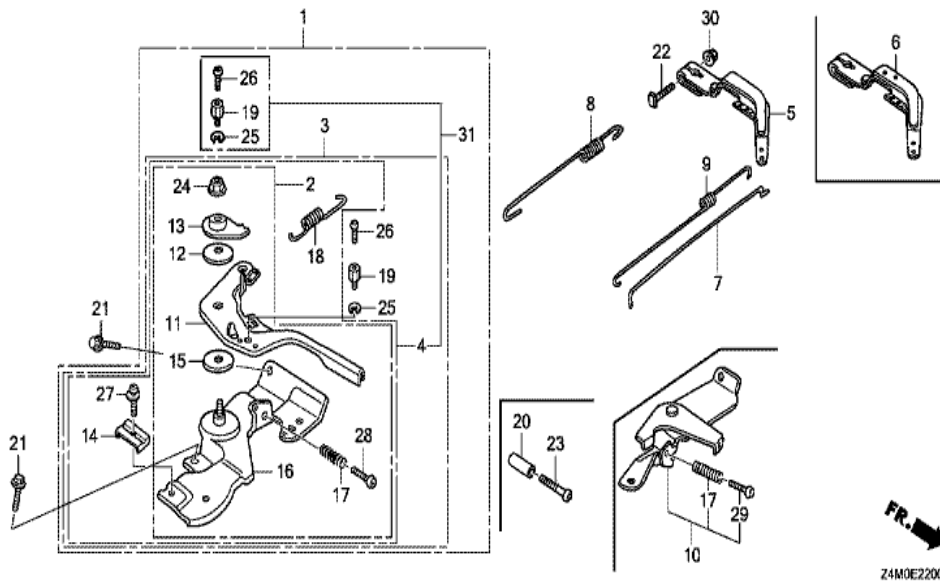


Z4M0E1900B

| Ref | Partnumber | Description | GX160UT1 | Serial Numbers |
|-----|---------------|------------------------------|----------|----------------|
| 001 | 13331-357-000 | KEY, SPECIAL WOODRUFF, 25X18 | 1 | |
| 002 | 19511-ZE1-000 | FAN, COOLING | 1 | |
| 004 | 28451-ZH8-801 | PULLEY, STARTER | 1 | |
| 005 | 31100-ZE7-010 | FLYWHEEL COMP. (STD.) | 1 | |
| 005 | 31100-ZE7-010 | FLYWHEEL COMP. (STD.) | 1 | |
| 009 | 90201-Z0T-800 | NUT, SPECIAL, 14MM | 1 | |

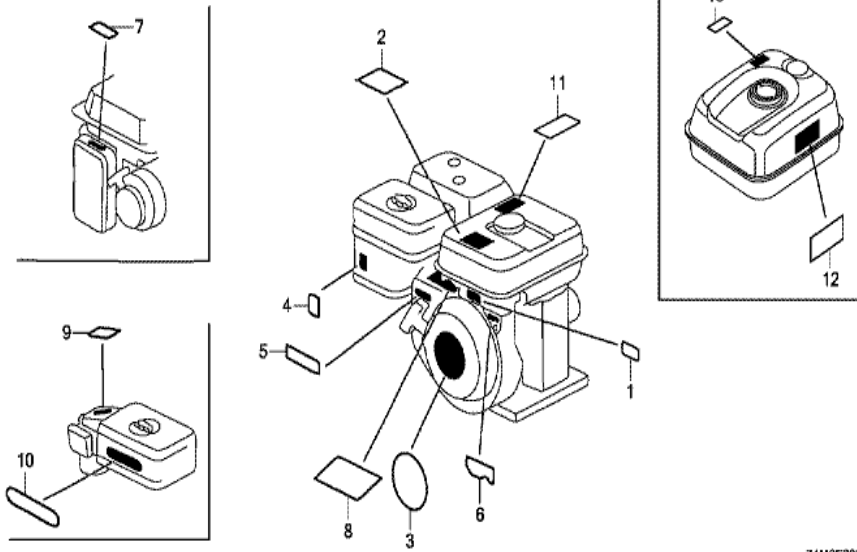


| Ref | Partnumber | Description | GX160UT1 | Serial Numbers |
|-----|---------------|-----------------------------------|----------|----------------|
| 001 | 30500-ZOT-802 | COIL ASSY., IGNITION (TEC) | 1 | |
| 002 | 30700-ZOT-811 | CAP ASSY., NOISE SUPPRESSOR (NGK) | 1 | |
| 009 | 36101-ZE1-010 | CORD, STOP SWITCH (370MM) | 1 | |
| 009 | 36101-ZE1-010 | CORD, STOP SWITCH (370MM) | 1 | |
| 012 | 90121-952-000 | BOLT, FLANGE, 6X25 (CT200) | 2 | |



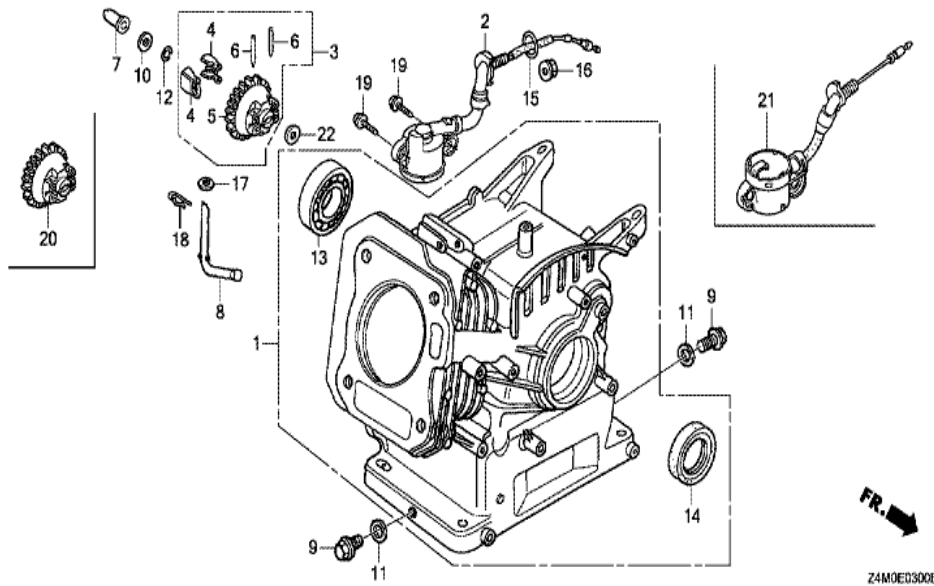
| Ref | Partnumber | Description | GX160UT1 | Serial Numbers |
|-----|---------------|-------------------------|----------|----------------|
| 004 | 16500-ZH8-823 | CONTROL ASSY. (REMOTE) | 1 | |
| 004 | 16500-ZH8-823 | CONTROL ASSY. (REMOTE) | 1 | |
| 004 | 16500-ZH8-823 | CONTROL ASSY. (REMOTE) | 1 | |
| 005 | 16551-ZE0-010 | ARM, GOVERNOR | 1 | |
| 005 | 16551-ZE0-010 | ARM, GOVERNOR | 1 | |
| 007 | 16555-ZE1-000 | ROD, GOVERNOR | 1 | |
| 007 | 16555-ZE1-000 | ROD, GOVERNOR | 1 | |
| 008 | 16561-ZE1-020 | SPRING, GOVERNOR | 1 | |
| 008 | 16561-ZE1-020 | SPRING, GOVERNOR | 1 | |
| 008 | 16561-ZE1-020 | SPRING, GOVERNOR | 1 | |
| 009 | 16562-ZE1-020 | SPRING, THROTTLE RETURN | 1 | |
| 009 | 16562-ZE1-020 | SPRING, THROTTLE RETURN | 1 | |
| 011 | 16571-ZH8-020 | LEVER, CONTROL | 1 | |

| <u>Ref</u> | <u>Partnumber</u> | <u>Description</u> | <u>GX160UT1</u> | <u>Serial Numbers</u> |
|------------|-------------------|------------------------------|-----------------|-----------------------|
| 011 | 16571-ZH8-020 | LEVER, CONTROL | 1 | |
| 012 | 16574-ZE1-000 | SPRING, LEVER | 1 | |
| 013 | 16575-ZH8-000 | WASHER, CONTROL LEVER | 1 | |
| 014 | 16576-891-000 | HOLDER, CABLE | 1 | |
| 015 | 16578-ZE1-000 | SPACER, CONTROL LEVER | 1 | |
| 016 | 16580-ZH8-813 | BASE COMP., CONTROL (REMOTE) | 1 | |
| 016 | 16580-ZH8-813 | BASE COMP., CONTROL (REMOTE) | 1 | |
| 016 | 16580-ZH8-813 | BASE COMP., CONTROL (REMOTE) | 1 | |
| 016 | 16580-ZH8-813 | BASE COMP., CONTROL (REMOTE) | 1 | |
| 017 | 16584-883-300 | SPRING, CONTROL ADJUSTING | 1 | |
| 018 | 16592-ZE1-810 | SPRING, CABLE RETURN | 1 | |
| 020 | 16599-ZG1-M10 | COLLAR, STOPPER | (1) | |
| 021 | 90013-883-000 | BOLT, FLANGE, 6X12 (CT200) | 2 | |
| 022 | 90015-ZE5-010 | BOLT, GOVERNOR ARM | 1 | |
| 022 | 90015-ZE5-010 | BOLT, GOVERNOR ARM | 1 | |
| 023 | 90016-ZG9-N30 | SCREW, RECESSED, 5X25 | (1) | |
| 024 | 90114-SA0-000 | NUT, SELF-LOCK, 6MM | 1 | |
| 027 | 93500-050160A | SCREW, PAN, 5X16 | 1 | |
| 028 | 93500-050250H | SCREW, PAN, 5X25 | 1 | |
| 028 | 93500-050250H | SCREW, PAN, 5X25 | 1 | |
| 030 | 94050-06000 | NUT, FLANGE, 6MM | 1 | |



Z4M0E2800E

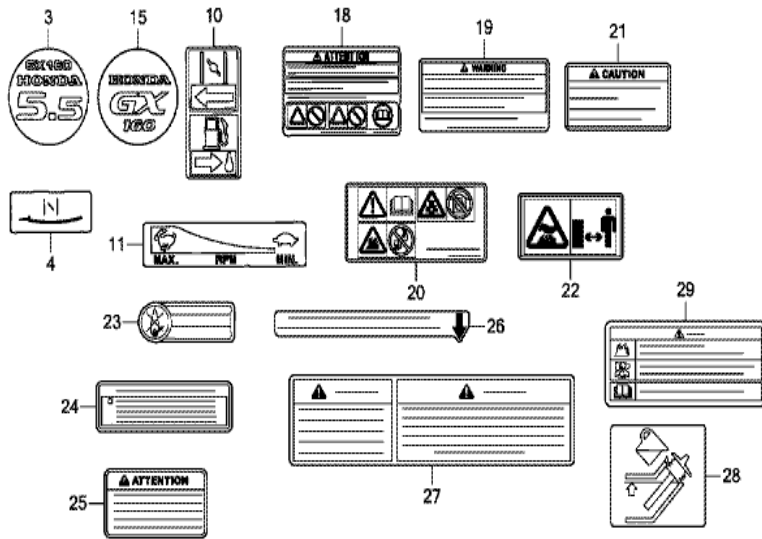
| Ref | Partnumber | Description | GX160UT1 | Serial Numbers |
|-----|---------------|--|----------|----------------|
| 002 | 87516-Z4H-010 | MARK, OPERATOR CAUTION (ENGLISH) (MADE I | 1 | |
| 002 | 87516-Z4H-010 | MARK, OPERATOR CAUTION (ENGLISH) (MADE I | 1 | |
| 003 | 87521-ZH8-040 | EMBLEM (GX160) | 1 | |
| 003 | 87521-ZH8-040 | EMBLEM (GX160) | 1 | |
| 004 | 87528-ZH7-000 | MARK, CHOKE (GRAY) | 1 | |
| 004 | 87528-ZH7-000 | MARK, CHOKE (GRAY) | 1 | |
| 005 | 87532-ZH7-000 | MARK, THROTTLE INDICATION | 1 | |
| 011 | 87539-Z0J-000 | MARK, EX. CAUTION (ENGLISH) | 1 | |



FR. →

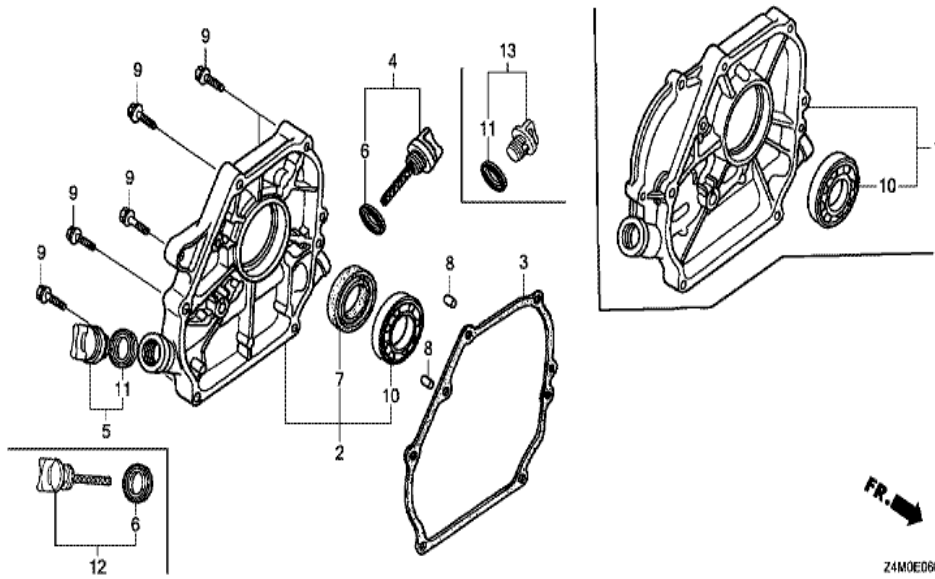
Z4M0E0300E

| Ref | Partnumber | Description | GX160UT1 | Serial Numbers |
|-----|---------------|--------------------------------------|----------|----------------|
| 001 | 12000-ZOT-406 | BARREL ASSY., CYLINDER (OIL ALERT) | 1 | |
| 003 | 16510-ZE1-000 | GOVERNOR ASSY. | 1 | |
| 003 | 16510-ZE1-000 | GOVERNOR ASSY. | 1 | |
| 004 | 16511-ZE1-000 | WEIGHT, GOVERNOR | 2 | |
| 004 | 16511-ZE1-000 | WEIGHT, GOVERNOR | 2 | |
| 005 | 16512-ZE1-000 | HOLDER, GOVERNOR WEIGHT | 1 | |
| 005 | 16512-ZE1-000 | HOLDER, GOVERNOR WEIGHT | 1 | |
| 006 | 16513-ZE1-000 | PIN, GOVERNOR WEIGHT | 2 | |
| 007 | 16531-ZE1-000 | SLIDER, GOVERNOR | 1 | |
| 007 | 16531-ZE1-000 | SLIDER, GOVERNOR | 1 | |
| 008 | 16541-ZE1-000 | SHAFT, GOVERNOR ARM | 1 | |
| 008 | 16541-ZE1-000 | SHAFT, GOVERNOR ARM | 1 | |
| 009 | 90131-ZE1-000 | BOLT, DRAIN PLUG | 2 | |
| Ref | Partnumber | Description | GX160UT1 | Serial Numbers |
| 010 | 90451-ZE1-000 | WASHER, THRUST, 6MM | 1 | |
| 011 | 90601-ZE1-000 | WASHER, DRAIN PLUG, 10.2MM | 2 | |
| 012 | 90602-ZE1-000 | CLIP, GOVERNOR HOLDER | 1 | |
| 013 | 91001-Z4X-003 | BEARING, RADIAL BALL (6205) (NSK) | 1 | |
| 013 | 91001-Z4X-003 | BEARING, RADIAL BALL (6205) (NSK) | 1 | |
| 013 | 91001-ZF1-003 | BEARING, RADIAL BALL (6205TMB) (NTN) | 1 | |
| 013 | 91001-ZF1-003 | BEARING, RADIAL BALL (6205TMB) (NTN) | 1 | |
| 013 | 91001-ZF1-004 | BEARING, RADIAL BALL (6205SH) (KOYO) | 1 | |
| 013 | 91001-ZF1-004 | BEARING, RADIAL BALL (6205SH) (KOYO) | 1 | |
| 014 | 91201-ZOT-801 | OIL SEAL, 25X41X6 (NOK) | 1 | |
| 015 | 91353-671-004 | O-RING, 14MM (NOK) | 1 | |
| 016 | 94050-10000 | NUT, FLANGE, 10MM | 1 | |
| 017 | 94101-06800 | WASHER, PLAIN, 6MM | 1 | |
| 017 | 94101-06800 | WASHER, PLAIN, 6MM | 1 | |
| 018 | 94251-08000 | PIN, LOCK, 8MM | 1 | |
| 019 | 95701-0601200 | BOLT, FLANGE, 6X12 | 2 | |
| 021 | 35480-ZOT-003 | SWITCH ASSY., OIL LEVEL | 1 | |
| 022 | 94101-06800 | WASHER, PLAIN, 6MM | 1 | |



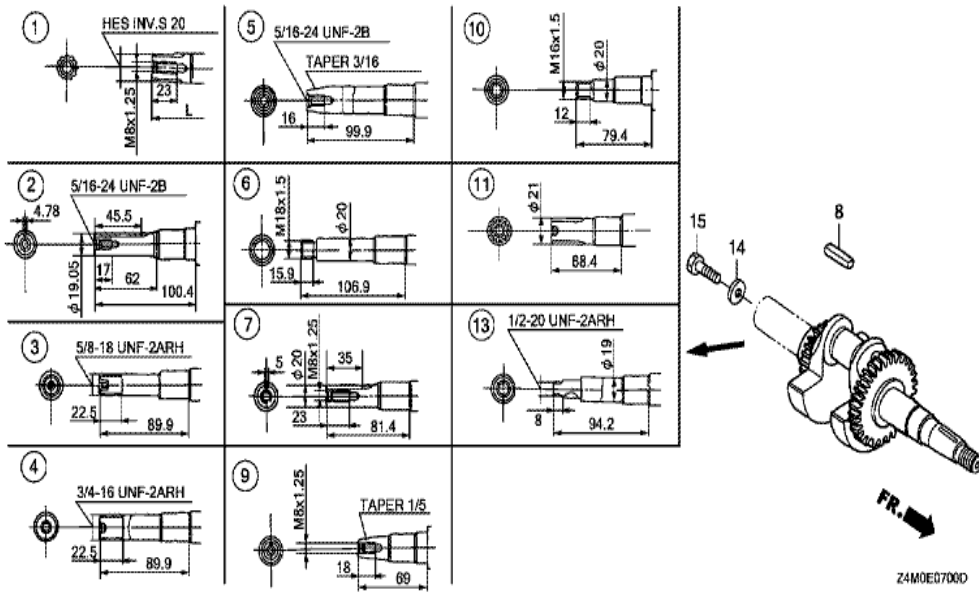
Z4M0E4000F

| Ref | Partnumber | Description | GX160UT1 | Serial Numbers |
|-----|---------------|--|----------|----------------|
| 019 | 87516-Z4H-801 | MARK, OPERATOR CAUTION (FRENCH) (MADE IN | 1 | |
| 019 | 87516-Z4H-801 | MARK, OPERATOR CAUTION (FRENCH) (MADE IN | 1 | |
| 019 | 87516-Z4H-801 | MARK, OPERATOR CAUTION (FRENCH) (MADE IN | 1 | |
| 020 | 87519-Z4H-000 | MARK, OPERATOR CAUTION (PICTOGRAPH) | 1 | |
| 021 | 87539-Z0J-810 | MARK, EX. CAUTION (FRENCH) | 1 | |
| 021 | 87539-Z0J-810 | MARK, EX. CAUTION (FRENCH) | 1 | |
| 021 | 87539-Z0J-810 | MARK, EX. CAUTION (FRENCH) | 1 | |
| 022 | 87539-Z0J-800 | MARK, EX. CAUTION (PICTOGRAPH) | 1 | |

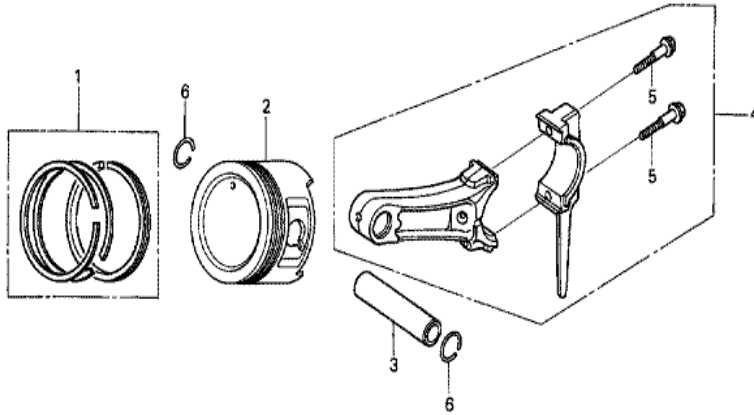


Z4M0E0600B

| Ref | Partnumber | Description | GX160UT1 | Serial Numbers |
|-----|---------------|--------------------------------------|----------|----------------|
| 002 | 11300-ZE1-634 | COVER ASSY., CRANKCASE | 1 | |
| 002 | 11300-ZE1-634 | COVER ASSY., CRANKCASE | 1 | |
| 002 | 11300-ZE1-634 | COVER ASSY., CRANKCASE | 1 | |
| 002 | 11300-ZE1-634 | COVER ASSY., CRANKCASE | 1 | |
| 003 | 11381-ZH8-801 | PACKING, CASE COVER (NON ASBESTOS) | 1 | |
| 004 | 15600-ZOT-810 | CAP ASSY., OIL FILLER (GAUGE) (GRAY) | 1 | |
| 005 | 15600-ZOT-820 | CAP ASSY., OIL FILLER (BLACK) | 1 | |
| 006 | 15625-ZOT-800 | PACKING, OIL FILLER CAP | 1 | |
| 007 | 91201-ZOT-801 | OIL SEAL, 25X41X6 (NOK) | 1 | |
| 008 | 94301-08140 | DOWEL PIN, 8X14 | 2 | |
| 009 | 95701-0803200 | BOLT, FLANGE, 8X32 | 6 | |
| 010 | 96100-6205000 | BEARING, RADIAL BALL, 6205 | 1 | |
| 011 | 15625-ZOT-800 | PACKING, OIL FILLER CAP | 1 | |



| Ref | Partnumber | Description | GX160UT1 | Serial Numbers |
|-----|---------------|----------------------|----------|----------------|
| 007 | 13310-ZOT-980 | CRANKSHAFT COMP. | 1 | |
| 007 | 13310-ZOT-980 | CRANKSHAFT COMP. | 1 | |
| 008 | 90741-883-810 | KEY, 5X5X33 (YELLOW) | 1 | |

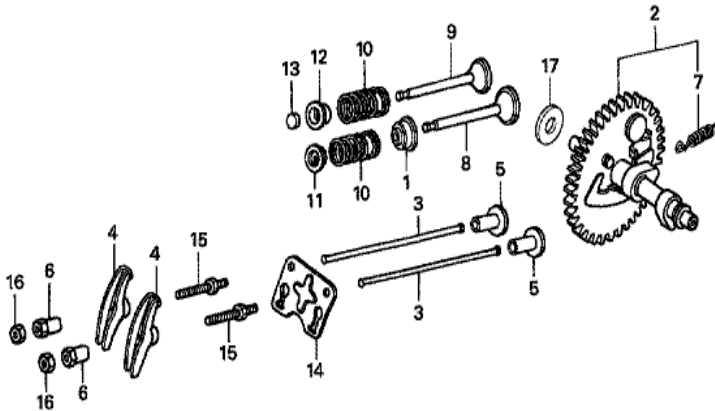


Z4M0-E0800



| <u>Ref</u> | <u>Partnumber</u> | <u>Description</u> | <u>GX160UT1</u> | <u>Serial Numbers</u> |
|------------|-------------------|---------------------------------|-----------------|-----------------------|
| 001 | 13010-Z4K-004 | RING SET, PISTON (STD.) (TPR) | 1 | |
| 001 | 13010-Z4M-003 | RING SET, PISTON (STD.) (RIKEN) | 1 | 1706984 |
| 001 | 13010-Z4M-003 | RING SET, PISTON (STD.) (RIKEN) | 1 | |
| 001 | 13011-Z4K-004 | RING SET, PISTON (0.25) (TPR) | (1) | 1706984 |
| 001 | 13011-Z4K-004 | RING SET, PISTON (0.25) (TPR) | (1) | |
| 001 | 13011-Z4K-004 | RING SET, PISTON (0.25) (TPR) | (1) | |
| 001 | 13011-Z4M-003 | RING SET, PISTON (0.25) (RIKEN) | (1) | |
| 001 | 13011-Z4M-003 | RING SET, PISTON (0.25) (RIKEN) | (1) | |
| 001 | 13011-Z4M-003 | RING SET, PISTON (0.25) (RIKEN) | (1) | |
| 001 | 13012-Z4K-004 | RING SET, PISTON (0.50) (TPR) | (1) | 1706984 |
| 001 | 13012-Z4K-004 | RING SET, PISTON (0.50) (TPR) | (1) | |
| 001 | 13012-Z4K-004 | RING SET, PISTON (0.50) (TPR) | (1) | |
| 001 | 13012-Z4M-003 | RING SET, PISTON (0.50) (RIKEN) | (1) | 1706984 |

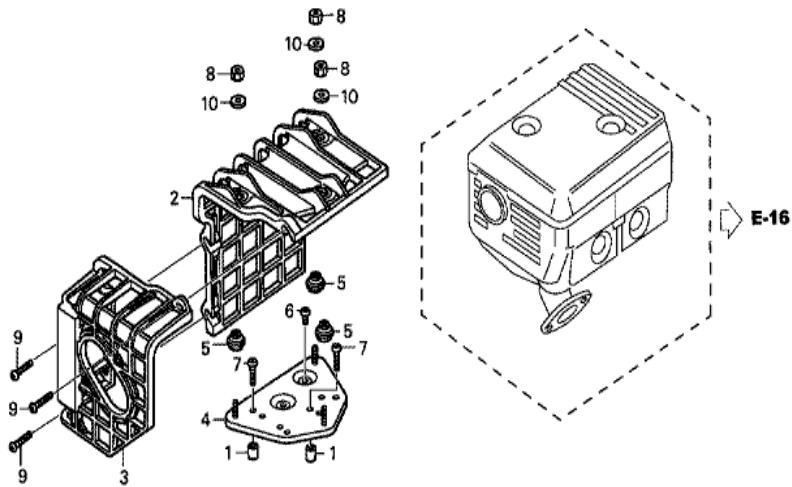
| <u>Ref</u> | <u>Partnumber</u> | <u>Description</u> | <u>GX160UT1</u> | <u>Serial Numbers</u> |
|------------|-------------------|---------------------------------|-----------------|-----------------------|
| 001 | 13012-Z4M-003 | RING SET, PISTON (0.50) (RIKEN) | (1) | |
| 001 | 13012-Z4M-003 | RING SET, PISTON (0.50) (RIKEN) | (1) | |
| 001 | 13013-Z4K-004 | RING SET, PISTON (0.75) (TPR) | (1) | |
| 001 | 13013-Z4K-004 | RING SET, PISTON (0.75) (TPR) | (1) | |
| 001 | 13013-Z4K-004 | RING SET, PISTON (0.75) (TPR) | (1) | |
| 001 | 13013-Z4K-004 | RING SET, PISTON (0.75) (TPR) | (1) | |
| 001 | 13013-Z4M-003 | RING SET, PISTON (0.75) (RIKEN) | (1) | 1706984 |
| 001 | 13013-Z4M-003 | RING SET, PISTON (0.75) (RIKEN) | (1) | |
| 001 | 13013-Z4M-003 | RING SET, PISTON (0.75) (RIKEN) | (1) | |
| 001 | 13013-Z4M-003 | RING SET, PISTON (0.75) (RIKEN) | (1) | |
| 002 | 13101-Z4M-000 | PISTON (STD.) | 1 | 2805810 |
| 002 | 13101-ZH8-020 | PISTON (STD.) | 1 | |
| 002 | 13101-ZH8-020 | PISTON (STD.) | 1 | |
| 002 | 13101-ZH8-020 | PISTON (STD.) | 1 | 2805809 |
| 002 | 13102-ZH8-020 | PISTON (0.25) | (1) | 1706984 |
| 002 | 13102-ZH8-020 | PISTON (0.25) | (1) | |
| 002 | 13102-ZH8-020 | PISTON (0.25) | (1) | |
| 002 | 13102-ZH8-020 | PISTON (0.25) | (1) | |
| 002 | 13102-ZH8-020 | PISTON (0.25) | (1) | |
| 002 | 13102-ZH8-020 | PISTON (0.25) | (1) | |
| 002 | 13103-ZH8-020 | PISTON (0.50) | (1) | 1706984 |
| 002 | 13103-ZH8-020 | PISTON (0.50) | (1) | |
| 002 | 13103-ZH8-020 | PISTON (0.50) | (1) | |
| 002 | 13103-ZH8-020 | PISTON (0.50) | (1) | |
| 002 | 13103-ZH8-020 | PISTON (0.50) | (1) | |
| 002 | 13103-ZH8-020 | PISTON (0.50) | (1) | |
| 002 | 13104-ZH8-020 | PISTON (0.75) | (1) | |
| 002 | 13104-ZH8-020 | PISTON (0.75) | (1) | |
| 002 | 13104-ZH8-020 | PISTON (0.75) | (1) | |
| 002 | 13104-ZH8-020 | PISTON (0.75) | (1) | |
| 002 | 13104-ZH8-020 | PISTON (0.75) | (1) | |
| 002 | 13104-ZH8-020 | PISTON (0.75) | (1) | |
| 003 | 13111-ZE1-000 | PIN, PISTON | 1 | |
| 003 | 13111-ZE1-000 | PIN, PISTON | 1 | |
| 004 | 13200-Z0T-800 | ROD ASSY., CONNECTING (TH) | 1 | |
| 004 | 13200-ZE1-020 | ROD ASSY., CONNECTING (STD.) | 1 | 2988544 |
| <u>Ref</u> | <u>Partnumber</u> | <u>Description</u> | <u>GX160UT1</u> | <u>Serial Numbers</u> |
| 004 | 13200-ZE1-020 | ROD ASSY., CONNECTING (STD.) | 1 | 2988544 |
| 005 | 90001-ZE1-000 | BOLT, CONNECTING ROD | 2 | |
| 005 | 90001-ZE1-000 | BOLT, CONNECTING ROD | 2 | |
| 006 | 90551-ZE1-000 | CLIP, PISTON PIN, 18MM | 2 | |



Z4M0-EG900A



| <u>Ref</u> | <u>Partnumber</u> | <u>Description</u> | <u>GX160UT1</u> | <u>Serial Numbers</u> |
|------------|-------------------|----------------------------|-----------------|-----------------------|
| 001 | 12209-ZH8-003 | SEAL, VALVE STEM | 1 | |
| 001 | 12209-ZH8-003 | SEAL, VALVE STEM | 1 | |
| 002 | 14100-Z0T-880 | CAMSHAFT ASSY. | 1 | |
| 003 | 14410-ZE1-010 | ROD, PUSH | 2 | |
| 003 | 14410-ZE1-010 | ROD, PUSH | 2 | |
| 004 | 14431-ZE1-000 | ARM, VALVE ROCKER | 2 | |
| 005 | 14441-ZE1-010 | LIFTER, VALVE | 2 | |
| 006 | 14451-ZE1-013 | PIVOT, ROCKER ARM | 2 | |
| 006 | 14451-ZE1-013 | PIVOT, ROCKER ARM | 2 | |
| 007 | 14568-ZE1-000 | SPRING, WEIGHT RETURN | 1 | |
| 008 | 14711-ZF1-000 | VALVE, IN. | 1 | |
| 008 | 14711-ZF1-000 | VALVE, IN. | 1 | |
| 009 | 14721-ZF1-000 | VALVE, EX. | 1 | |
| <u>Ref</u> | <u>Partnumber</u> | <u>Description</u> | <u>GX160UT1</u> | <u>Serial Numbers</u> |
| 009 | 14721-ZF1-000 | VALVE, EX. | 1 | |
| 010 | 14751-ZF1-000 | SPRING, VALVE | 2 | |
| 011 | 14771-ZE1-000 | RETAINER, IN. VALVE SPRING | 1 | |
| 011 | 14771-ZE1-000 | RETAINER, IN. VALVE SPRING | 1 | |
| 011 | 14771-ZE1-000 | RETAINER, IN. VALVE SPRING | 1 | |
| 012 | 14773-Z4X-000 | RETAINER, EX. VALVE SPRING | 1 | |
| 012 | 14773-Z4X-000 | RETAINER, EX. VALVE SPRING | 1 | |
| 012 | 14773-Z4X-000 | RETAINER, EX. VALVE SPRING | 1 | |
| 012 | 14773-Z4X-000 | RETAINER, EX. VALVE SPRING | 1 | |
| 013 | 14781-ZE1-000 | ROTATOR, VALVE | 1 | |
| 014 | 14791-ZE1-010 | PLATE, PUSH ROD GUIDE | 1 | |
| 014 | 14791-ZE1-010 | PLATE, PUSH ROD GUIDE | 1 | |
| 015 | 90012-ZE0-010 | BOLT, PIVOT, 8MM | 2 | |
| 016 | 90206-ZE1-000 | NUT, PIVOT ADJUSTING | 2 | |
| 017 | 90413-Z0T-880 | WASHER, THRUST, 14.1MM | 1 | |



Z4M0-X0100



| Ref | Partnumber | Description | GX160UT1 | Serial Numbers |
|-----|---------------|---------------------------|----------|----------------|
| 001 | 17233-896-701 | COLLAR, AIR CLEANER CASE | (2) | |
| 002 | 18433-ZH8-W40 | COVER COMP., MUFFLER | (1) | |
| 003 | 18434-ZH8-W40 | COVER COMP., RR. MUFFLER | (1) | |
| 004 | 18436-ZH8-W41 | BASE COMP., MUFFLER COVER | (1) | |
| 004 | 18436-ZH8-W41 | BASE COMP., MUFFLER COVER | (1) | |
| 005 | 18466-ZH8-W40 | SPACER, MUFFLER COVER | (3) | |
| 006 | 90050-ZE1-000 | SCREW, TAPPING, 5X8 | (1) | |
| 007 | 90050-ZH8-W40 | SCREW, TAPPING, 5X25 | (2) | |
| 008 | 90302-KF9-900 | NUT, HEX., 5MM | (3) | |
| 009 | 93891-0602007 | SCREW-WASHER, 6X20 | (3) | |
| 010 | 94103-05700 | WASHER, PLAIN, 5MM | (3) | |