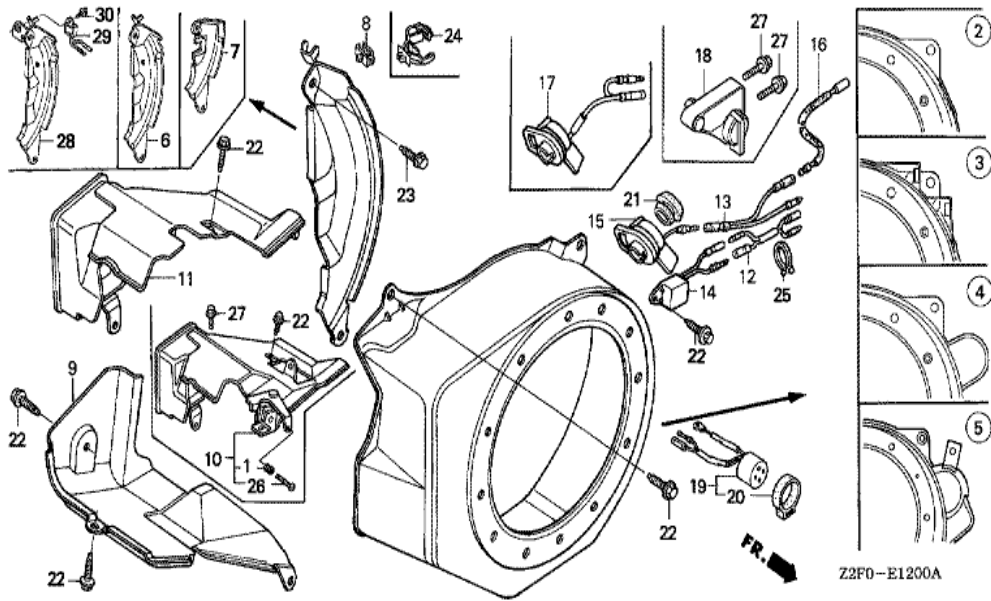
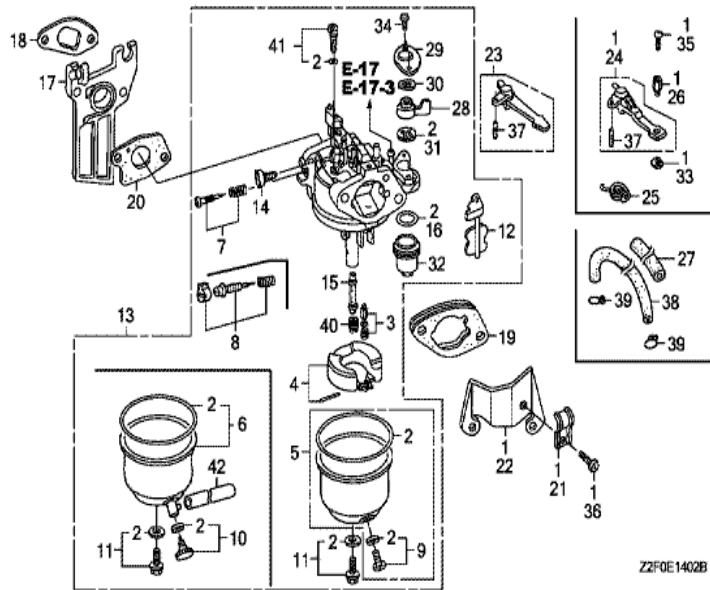


Z2F0-E1103

| Ref | Partnumber      | Description                        | GX160K1 | Serial Numbers |
|-----|-----------------|------------------------------------|---------|----------------|
| 001 | 28400-ZH8-023YA | STARTER ASSY., RECOIL *R280 *      | 1       |                |
| 004 | 28410-ZH8-003YA | CASE COMP., RECOIL STARTER *R280 * | 1       |                |
| 005 | 28421-ZH8-801   | REEL, RECOIL STARTER (BLACK)       | 1       |                |
| 006 | 28422-ZH8-801   | RATCHET, STARTER                   | 2       |                |
| 007 | 28431-ZH8-801   | PLATE, FRICTION                    | 1       |                |
| 008 | 28433-ZH8-801   | GUIDE, RATCHET                     | 1       |                |
| 009 | 28441-ZH8-801   | SPRING, FRICTION                   | 1       |                |
| 010 | 28442-ZH8-003   | SPRING, RECOIL STARTER             | 1       |                |
| 011 | 28443-ZH8-801   | SPRING, RETURN                     | 2       |                |
| 012 | 28461-ZH8-003   | GRIP, STARTER                      | 1       |                |
| 013 | 28462-ZH8-003   | ROPE, RECOIL STARTER               | 1       |                |
| 015 | 90003-ZH8-801   | SCREW, SETTING                     | 1       |                |
| 016 | 90008-ZE2-003   | BOLT, FLANGE, 6X10                 | 3       |                |



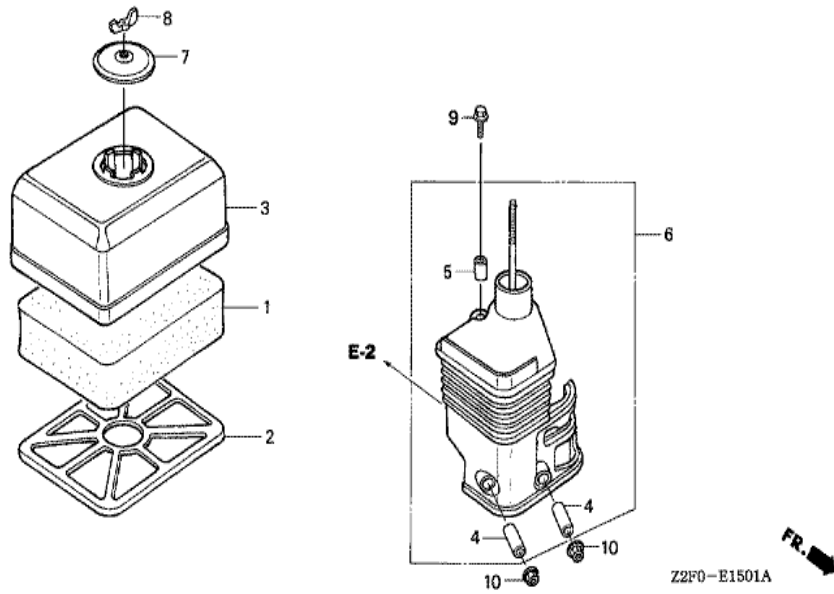
| Ref | Partnumber      | Description                   | GX160K1 | Serial Numbers |
|-----|-----------------|-------------------------------|---------|----------------|
| 002 | 19610-ZE1-000ZP | COVER COMP., FAN *R280 *      | 1       |                |
| 009 | 19630-ZH8-000   | SHROUD COMP.                  | 1       |                |
| 015 | 36100-ZH7-003   | SWITCH ASSY., ENGINE STOP     | 1       |                |
| 022 | 90013-883-000   | BOLT, FLANGE, 6X12 (CT200)    | 6       |                |
| 023 | 90022-888-010   | BOLT, FLANGE, 6X20 (CT200)    | 1       |                |
| 024 | 90601-ZH7-013   | CLIP, HARNESS                 | 1       |                |
| 028 | 19611-ZH8-810   | PLATE COMP., SIDE (OIL ALERT) | 1       |                |
| 029 | 34150-ZH7-003   | ALERT UNIT, OIL               | 1       |                |
| 030 | 95701-0600800   | BOLT, FLANGE, 6X8             | 1       |                |



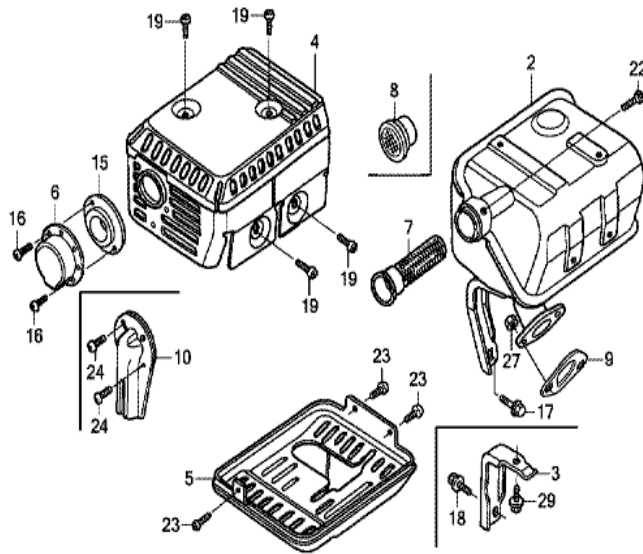
ZZFOE1402B

FR. →

| Ref | Partnumber    | Description                | GX160K1 | Serial Numbers |
|-----|---------------|----------------------------|---------|----------------|
| 002 | 16010-ZE1-812 | GASKET SET                 | 1       |                |
| 003 | 16011-ZE0-005 | VALVE SET, FLOAT           | 1       |                |
| 004 | 16013-ZE0-005 | FLOAT SET                  | 1       |                |
| 005 | 16015-ZE0-831 | CHAMBER SET, FLOAT         | 1       |                |
| 008 | 16016-ZH7-W01 | SCREW SET, PILOT           | 1       |                |
| 009 | 16024-ZE1-811 | SCREW SET, DRAIN           | 1       |                |
| 011 | 16028-ZE0-005 | SCREW SET                  | 1       |                |
| 012 | 16044-ZE0-005 | CHOKE SET                  | 1       |                |
| 013 | 16100-ZH8-W61 | CARBURETOR ASSY. (BE65C B) | 1       |                |
| 014 | 16124-ZE0-005 | SCREW, THROTTLE STOP       | 1       |                |
| 015 | 16166-ZH8-W60 | NOZZLE, MAIN               | 1       |                |
| 016 | 16173-001-004 | PACKING, FUEL STRAINER CUP | 1       |                |
| 017 | 16211-ZE1-000 | INSULATOR, CARBURETOR      | 1       |                |
| Ref | Partnumber    | Description                | GX160K1 | Serial Numbers |
| 018 | 16212-ZH8-800 | PACKING, INSULATOR         | 1       |                |
| 019 | 16220-ZE1-020 | SPACER COMP., CARBURETOR   | 1       |                |
| 020 | 16221-ZH8-801 | PACKING, CARBURETOR        | 1       |                |
| 023 | 16610-ZE1-000 | LEVER COMP., CHOKE (STD.)  | 1       |                |
| 028 | 16953-ZE1-812 | LEVER, COCK                | 1       |                |
| 029 | 16954-ZE1-812 | PLATE, LEVER SETTING       | 1       |                |
| 030 | 16956-ZE1-811 | SPRING, COCK LEVER         | 1       |                |
| 031 | 16957-ZE1-812 | PACKING, FUEL COCK         | 1       |                |
| 032 | 16967-ZE0-811 | CUP, FUEL STRAINER         | 1       |                |
| 034 | 93500-030061H | SCREW, PAN, 3X6            | 2       |                |
| 037 | 94305-20122   | PIN, SPRING, 2X12          | 1       |                |
| 040 | 99101-ZH80650 | JET, MAIN, #65             | (1)     |                |
| 040 | 99101-ZH80680 | JET, MAIN, #68             | (1)     |                |
| 040 | 99101-ZH80700 | JET, MAIN, #70             | 1       |                |
| 041 | 99204-ZE00350 | JET SET, PILOT, #35        | 1       |                |



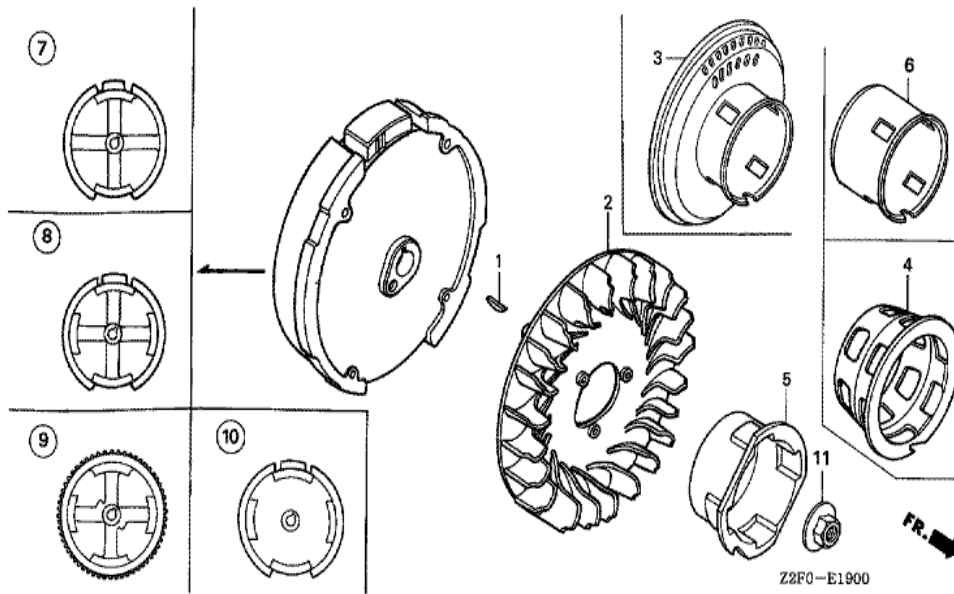
| Ref | Partnumber    | Description                     | GX160K1 | Serial Numbers |
|-----|---------------|---------------------------------|---------|----------------|
| 001 | 17211-ZE1-000 | ELEMENT, AIR CLEANER (SEMI DRY) | 1       |                |
| 002 | 17212-ZE1-000 | GRID, AIR CLEANER (SEMI DRY)    | 1       |                |
| 003 | 17231-ZE1-000 | COVER, AIR CLEANER (SEMI DRY)   | 1       |                |
| 004 | 17238-ZE7-010 | COLLAR, AIR CLEANER             | 2       |                |
| 005 | 17239-ZE1-000 | COLLAR B, AIR CLEANER           | 1       |                |
| 006 | 17410-ZE1-020 | ELBOW COMP., AIR CLEANER        | 1       |                |
| 007 | 17421-ZE1-000 | CAP, CLEANER                    | 1       |                |
| 008 | 90325-044-000 | NUT, TOOL BOX SETTING           | 1       |                |
| 009 | 95701-0602000 | BOLT, FLANGE, 6X20              | 1       |                |
| 010 | 94050-06000   | NUT, FLANGE, 6MM                | 2       |                |



FR. →  
Z2F0E1600A

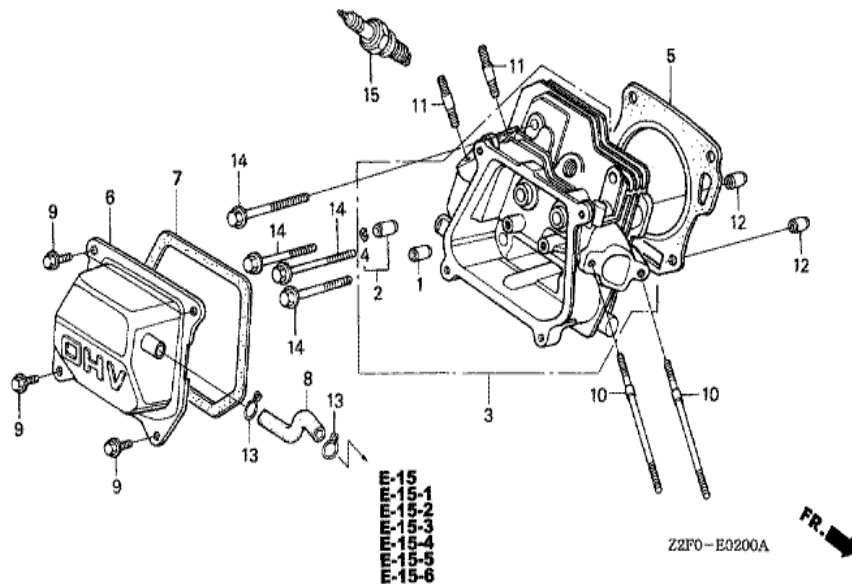
| Ref | Partnumber    | Description                       | GX160K1 | Serial Numbers |
|-----|---------------|-----------------------------------|---------|----------------|
| 002 | 18310-ZH8-810 | MUFFLER COMP. (ARRESTER)          | 1       |                |
| 004 | 18320-ZF1-H01 | PROTECTOR, MUFFLER (STD.) (BLACK) | 1       |                |
| 007 | 18355-ZE1-000 | ARRESTER, SPARK                   | 1       |                |
| 009 | 18381-ZH8-800 | GASKET, MUFFLER                   | 1       |                |
| 019 | 90050-ZE1-000 | SCREW, TAPPING, 5X8               | 4       |                |
| 022 | 90055-ZE1-000 | SCREW, TAPPING, 4X6               | 1       |                |
| 027 | 94001-080000S | NUT, HEX., 8MM                    | 2       |                |





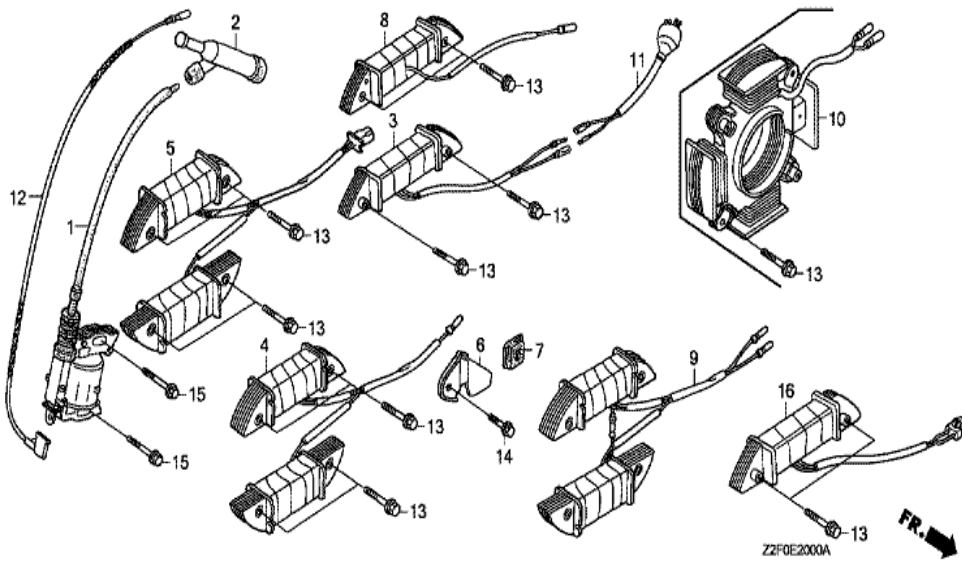
Z2F0-E1900

| Ref | Partnumber    | Description                  | GX160K1 | Serial Numbers |
|-----|---------------|------------------------------|---------|----------------|
| 001 | 13331-357-000 | KEY, SPECIAL WOODRUFF, 25X18 | 1       |                |
| 002 | 19511-ZE1-000 | FAN, COOLING                 | 1       |                |
| 006 | 28451-ZH8-801 | PULLEY, STARTER              | 1       |                |
| 007 | 31100-ZE1-010 | FLYWHEEL COMP.               | 1       |                |
| 011 | 90201-878-003 | NUT, SPECIAL, 14MM           | 1       |                |

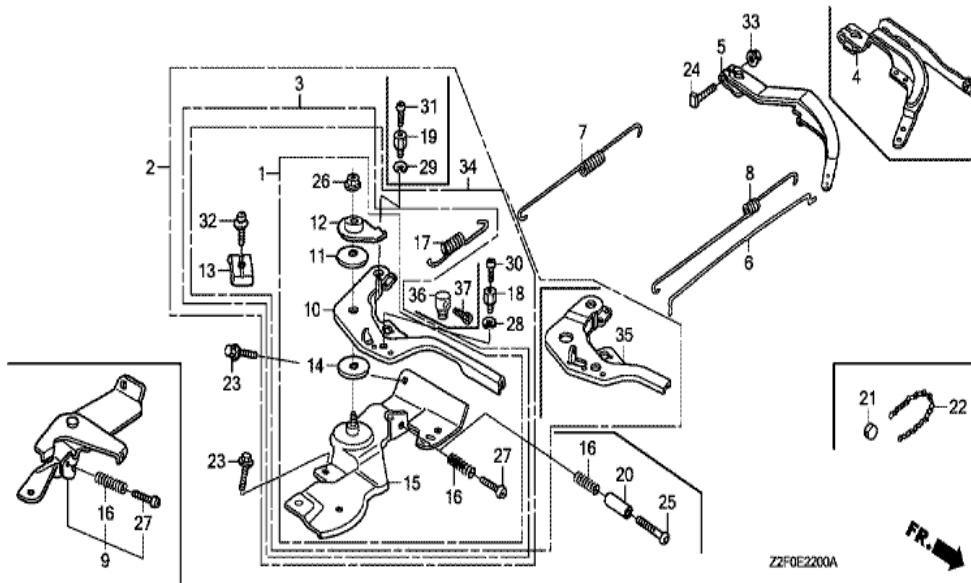


| Ref | Partnumber    | Description                    | GX160K1 | Serial Numbers |
|-----|---------------|--------------------------------|---------|----------------|
| 001 | 12204-ZE1-306 | GUIDE, IN. VALVE (OS)          | 1       |                |
| 002 | 12205-ZE1-315 | GUIDE, EX. VALVE (OS)          | 1       |                |
| 003 | 12210-ZH8-405 | HEAD COMP., CYLINDER           | 1       | 1237986        |
| 003 | 12210-ZH8-415 | HEAD COMP., CYLINDER           | 1       | 1237987        |
| 004 | 12216-ZE5-300 | CLIP, VALVE GUIDE              | 1       |                |
| 005 | 12251-ZF1-800 | GASKET, CYLINDER HEAD          | 1       |                |
| 006 | 12310-ZE1-020 | COVER COMP., HEAD              | 1       |                |
| 007 | 12391-ZE1-000 | PACKING, HEAD COVER            | 1       |                |
| 008 | 15721-ZH8-000 | TUBE, BREATHER                 | 1       |                |
| 009 | 90013-883-000 | BOLT, FLANGE, 6X12 (CT200)     | 4       |                |
| 010 | 90043-ZE1-020 | BOLT, STUD, 6X112              | 2       |                |
| 011 | 90047-ZE1-000 | BOLT, STUD, 8X32               | 2       |                |
| 012 | 94301-10160   | DOWEL PIN, 10X16               | 2       |                |
| Ref | Partnumber    | Description                    | GX160K1 | Serial Numbers |
| 014 | 95723-0806000 | BOLT, FLANGE, 8X60             | 4       |                |
| 015 | 98079-55846   | PLUG, SPARK (BPR5ES) (NGK)     | 1       |                |
| 015 | 98079-55855   | PLUG, SPARK (W16EPR-U) (DENSO) | 1       |                |
| 015 | 98079-56846   | PLUG, SPARK (BPR6ES) (NGK)     | 1       |                |
| 015 | 98079-56855   | PLUG, SPARK (W20EPR-U) (DENSO) | 1       |                |

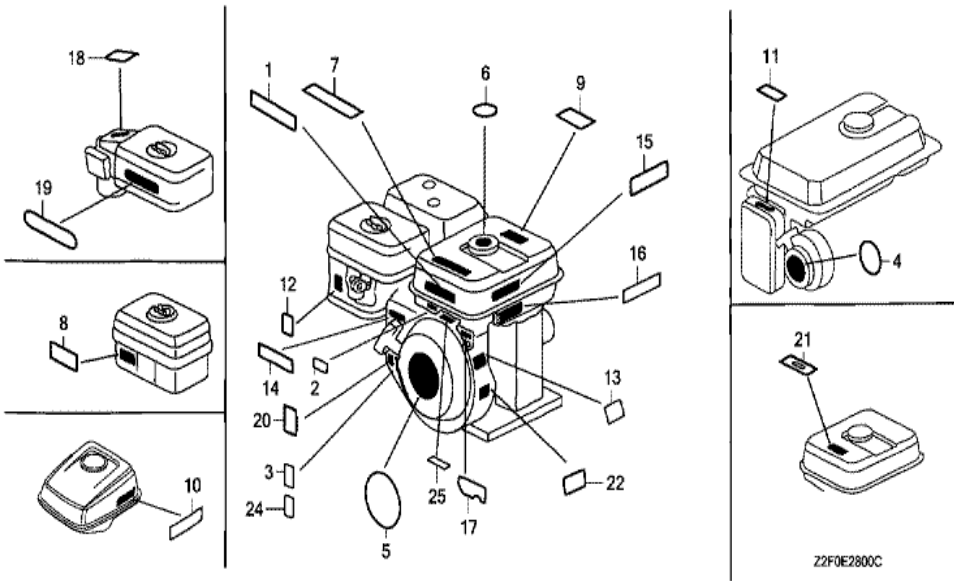




| Ref | Partnumber    | Description                              | GX160K1 | Serial Numbers  |
|-----|---------------|--|---------|-----------------|
| 001 | 30500-ZE1-043 | COIL ASSY., IGNITION                     | 1       | 1049706         |
| 001 | 30500-ZE1-053 | COIL ASSY., IGNITION                     | 1       | 1049707 1067684 |
| 001 | 30500-ZE1-063 | COIL ASSY., IGNITION                     | 1       | 1067685         |
| 002 | 30700-ZE1-013 | CAP ASSY., NOISE SUPPRESSOR (NICHIBA Y-E | 1       |                 |
| 012 | 36101-ZE1-010 | CORD, STOP SWITCH (370MM)                | 1       |                 |
| 015 | 90121-952-000 | BOLT, FLANGE, 6X25 (CT200)               | 2       |                 |

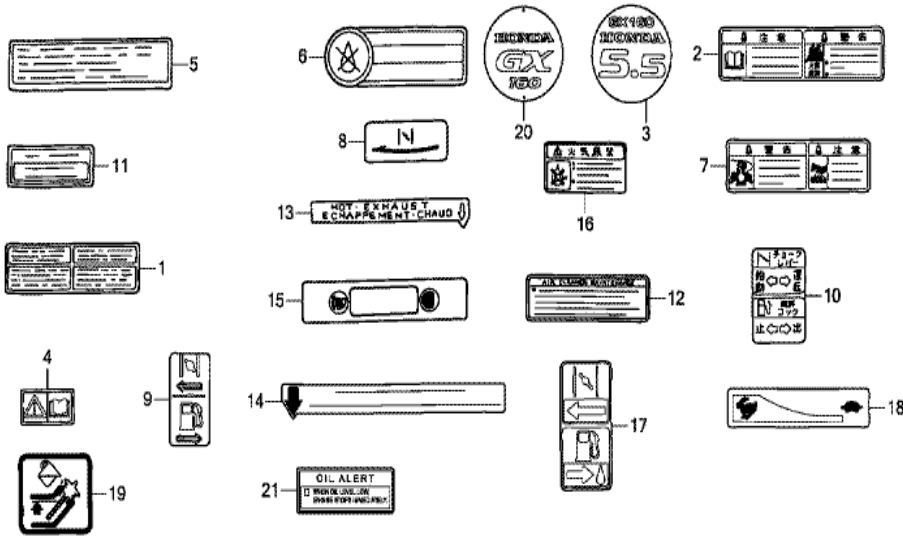


| Ref | Partnumber    | Description                     | GX160K1 | Serial Numbers |
|-----|---------------|---------------------------------|---------|----------------|
| 005 | 16551-ZE0-010 | ARM, GOVERNOR                   | 1       |                |
| 006 | 16555-ZE1-000 | ROD, GOVERNOR                   | 1       |                |
| 007 | 16561-ZE1-020 | SPRING, GOVERNOR                | 1       |                |
| 008 | 16562-ZE1-020 | SPRING, THROTTLE RETURN         | 1       |                |
| 010 | 16571-ZH8-020 | LEVER, CONTROL                  | 1       |                |
| 011 | 16574-ZE1-000 | SPRING, LEVER                   | 1       |                |
| 012 | 16575-ZH8-000 | WASHER, CONTROL LEVER           | 1       |                |
| 013 | 16576-891-000 | HOLDER, CABLE                   | 1       |                |
| 014 | 16578-ZE1-000 | SPACER, CONTROL LEVER           | 1       |                |
| 015 | 16580-ZH8-813 | BASE COMP., CONTROL (REMOTE)    | 1       |                |
| 016 | 16584-883-300 | SPRING, CONTROL ADJUSTING       | 1       |                |
| 017 | 16592-ZE1-810 | SPRING, CABLE RETURN            | 1       |                |
| 018 | 16594-883-010 | HOLDER, WIRE                    | 1       |                |
| Ref | Partnumber    | Description                     | GX160K1 | Serial Numbers |
| 023 | 90013-883-000 | BOLT, FLANGE, 6X12 (CT200)      | 2       |                |
| 024 | 90015-ZE5-010 | BOLT, GOVERNOR ARM              | 1       |                |
| 026 | 90114-SA0-000 | NUT, SELF-LOCK, 6MM             | 1       |                |
| 027 | 93500-050250H | SCREW, PAN, 5X25                | 1       |                |
| 028 | 90605-230-000 | CIRCLIP, 5MM                    | 1       |                |
| 030 | 93500-040060H | SCREW, PAN, 4X6                 | 1       |                |
| 032 | 93500-050160A | SCREW, PAN, 5X16                | 1       |                |
| 033 | 94050-06000   | NUT, FLANGE, 6MM                | 1       |                |
| 034 | 16500-ZH8-813 | CONTROL ASSY. (REMOTE/INTERNAL) | 1       |                |



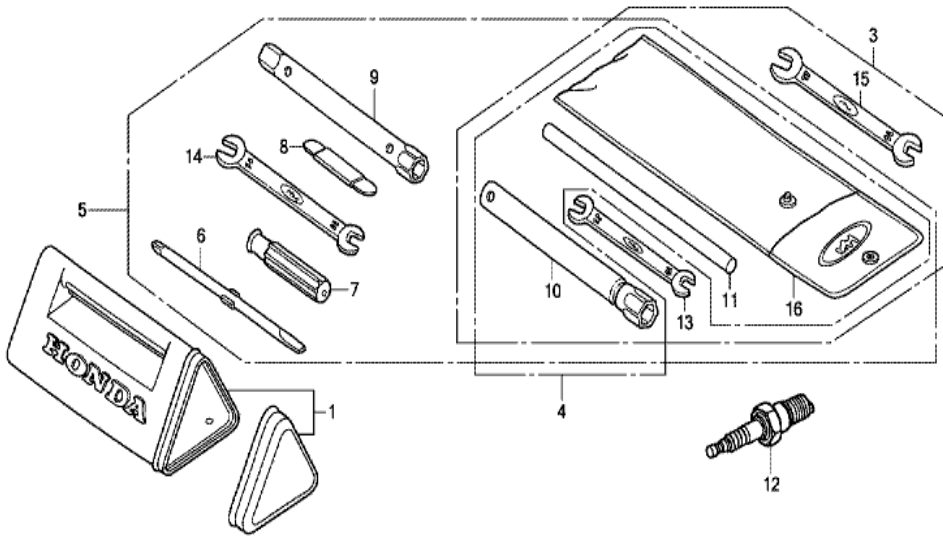
Z2F0E2800C

| <u>Ref</u> | <u>Partnumber</u> | <u>Description</u>             | <u>GX160K1</u> | <u>Serial Numbers</u> |
|------------|-------------------|--------------------------------|----------------|-----------------------|
| 001        | 87522-ZH9-010     | LABEL, CAUTION (ENGLISH, ETC.) | 1              |                       |
| 002        | 87135-ZE2-020     | LABEL, E-SPEC (15.5X27.5)      | 1              | 1001091               |
| 005        | 87521-ZH8-030     | EMBLEM (GX160 5.5)             | 1              |                       |
| 007        | 87522-ZH9-010     | LABEL, CAUTION (ENGLISH, ETC.) | 1              |                       |
| 012        | 87528-ZE1-810     | MARK, CHOKE                    | 1              |                       |
| 015        | 87532-ZH8-810     | MARK, OIL ALERT (ENGLISH)      | 1              |                       |



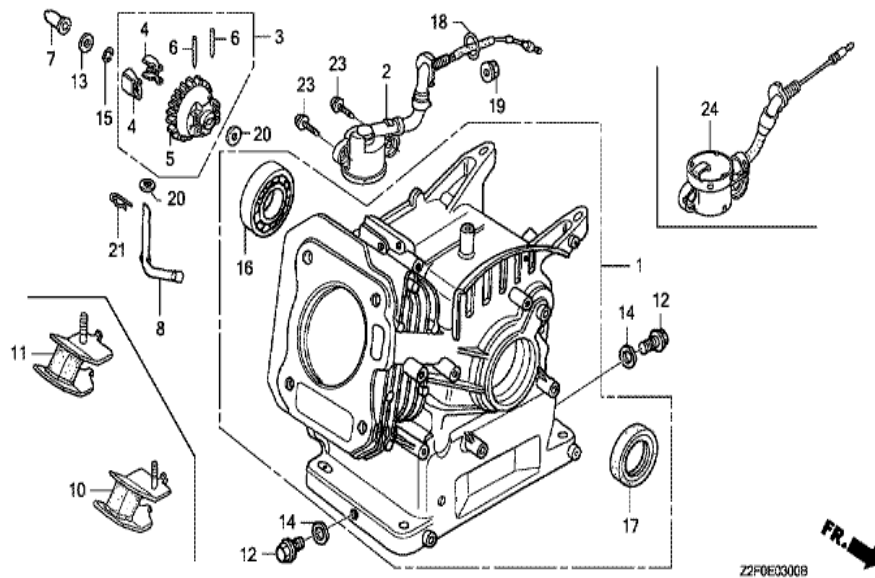
Z2F0E2801D

| Ref | Partnumber    | Description              | GX160K1 | Serial Numbers |
|-----|---------------|--------------------------|---------|----------------|
| 011 | 87532-ZB4-H50 | MARK, OIL ALERT (FRENCH) | 1       |                |



Z2FUE2900A

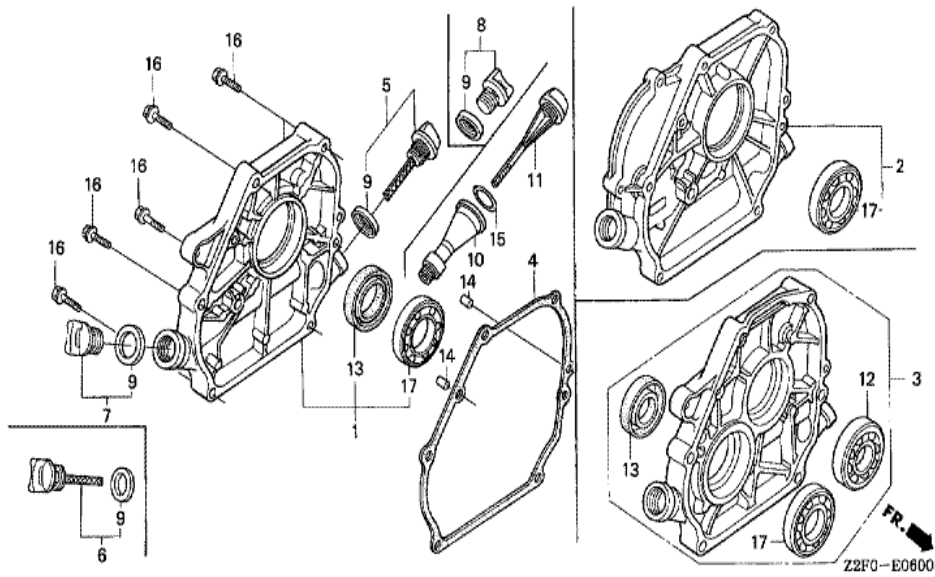
| Ref | Partnumber    | Description              | GX160K1 | Serial Numbers |
|-----|---------------|--------------------------|---------|----------------|
| 010 | 89218-ZE1-000 | WRENCH COMP., SPARK PLUG | 1       |                |



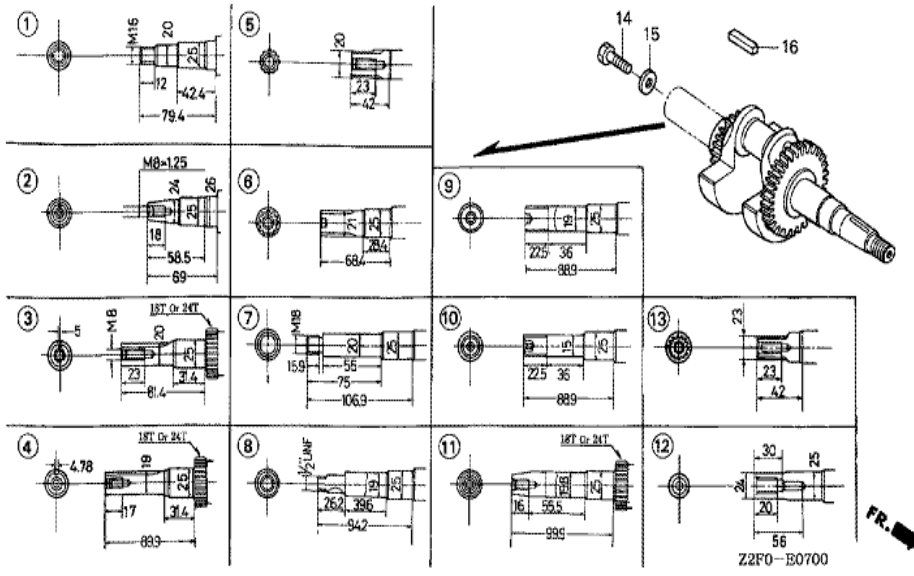
Z2F0E03008

FR. →

| Ref | Partnumber    | Description                          | GX160K1 | Serial Numbers |
|-----|---------------|--------------------------------------|---------|----------------|
| 001 | 12000-ZH8-426 | BARREL ASSY., CYLINDER (OIL ALERT)   | 1       |                |
| 002 | 15510-ZE1-033 | SWITCH ASSY., OIL LEVEL              | 1       |                |
| 003 | 16510-ZE1-000 | GOVERNOR ASSY.                       | 1       |                |
| 004 | 16511-ZE1-000 | WEIGHT, GOVERNOR                     | 2       |                |
| 005 | 16512-ZE1-000 | HOLDER, GOVERNOR WEIGHT              | 1       |                |
| 006 | 16513-ZE1-000 | PIN, GOVERNOR WEIGHT                 | 2       |                |
| 007 | 16531-ZE1-000 | SLIDER, GOVERNOR                     | 1       |                |
| 008 | 16541-ZE1-000 | SHAFT, GOVERNOR ARM                  | 1       |                |
| 012 | 90131-ZE1-000 | BOLT, DRAIN PLUG                     | 2       |                |
| 013 | 90451-ZE1-000 | WASHER, THRUST, 6MM                  | 1       |                |
| 014 | 90601-ZE1-000 | WASHER, DRAIN PLUG, 10.2MM           | 2       |                |
| 015 | 90602-ZE1-000 | CLIP, GOVERNOR HOLDER                | 1       |                |
| 016 | 91001-ZF1-003 | BEARING, RADIAL BALL (6205TMB) (NTN) | 1       |                |
| Ref | Partnumber    | Description                          | GX160K1 | Serial Numbers |
| 016 | 91001-ZF1-004 | BEARING, RADIAL BALL (6205SH) (KOYO) | 1       |                |
| 017 | 91201-Z0T-801 | OIL SEAL, 25X41X6 (NOK)              | 1       |                |
| 018 | 91353-671-004 | O-RING, 14MM (NOK)                   | 1       |                |
| 019 | 94050-10000   | NUT, FLANGE, 10MM                    | 1       |                |
| 020 | 94101-06800   | WASHER, PLAIN, 6MM                   | 2       |                |
| 021 | 94251-08000   | PIN, LOCK, 8MM                       | 1       |                |
| 023 | 95701-0601200 | BOLT, FLANGE, 6X12                   | 2       |                |

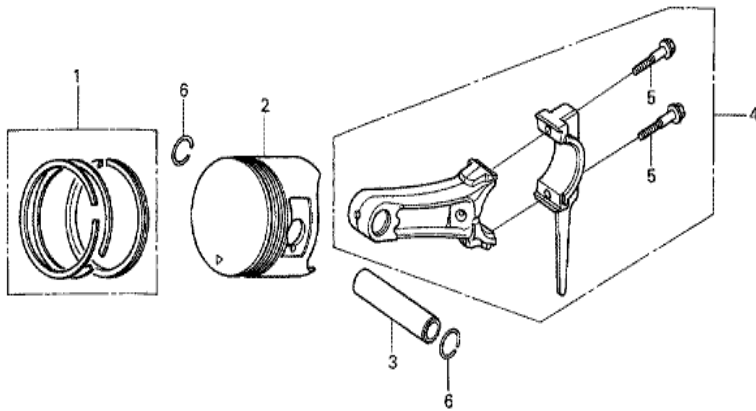


| Ref | Partnumber    | Description                        | GX160K1 | Serial Numbers |
|-----|---------------|------------------------------------|---------|----------------|
| 001 | 11300-ZE1-634 | COVER ASSY., CRANKCASE             | 1       |                |
| 004 | 11381-ZH8-801 | PACKING, CASE COVER (NON ASBESTOS) | 1       |                |
| 005 | 15600-ZE1-003 | CAP ASSY., OIL FILLER (GRAY)       | 1       |                |
| 007 | 15600-ZG4-003 | CAP ASSY., OIL FILLER              | 1       |                |
| 009 | 15625-ZE1-003 | PACKING, OIL FILLER CAP            | 2       |                |
| 013 | 91201-ZOT-801 | OIL SEAL, 25X41X6 (NOK)            | 1       |                |
| 014 | 94301-08140   | DOWEL PIN, 8X14                    | 2       |                |
| 016 | 95701-0803200 | BOLT, FLANGE, 8X32                 | 6       |                |
| 017 | 96100-6205000 | BEARING, RADIAL BALL, 6205         | 1       |                |



| Ref | Partnumber    | Description      | GX160K1 | Serial Numbers |
|-----|---------------|------------------|---------|----------------|
| 007 | 13310-ZE1-630 | CRANKSHAFT COMP. | 1       |                |

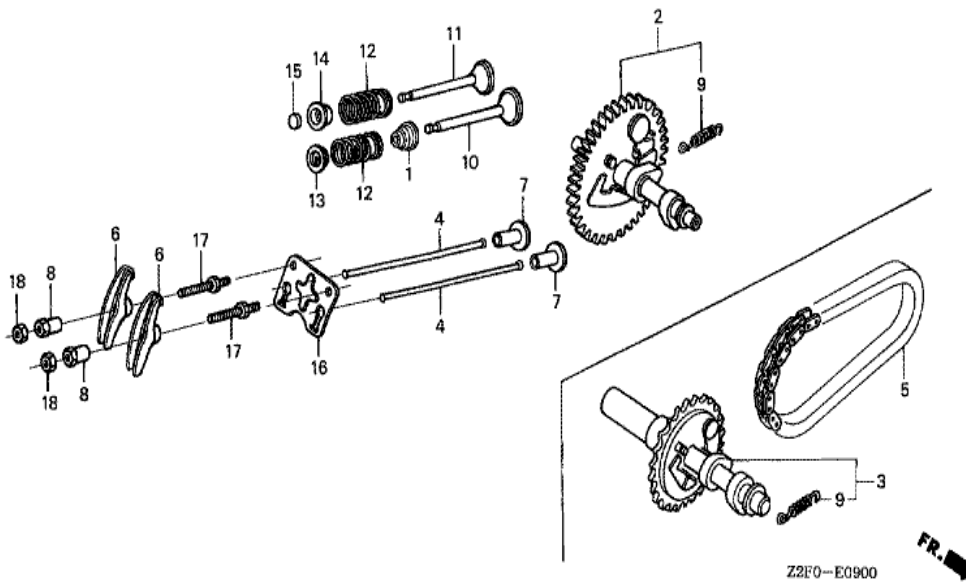




Z2F0-E0800



| <u>Ref</u> | <u>Partnumber</u> | <u>Description</u>                | <u>GX160K1</u> | <u>Serial Numbers</u> |
|------------|-------------------|-----------------------------------|----------------|-----------------------|
| 001        | 13010-ZL0-003     | RING SET, PISTON (STD.) (TEIKOKU) | 1              |                       |
| 001        | 13010-ZL0-004     | RING SET, PISTON (STD.) (NIPPON)  | 1              |                       |
| 001        | 13011-ZL0-003     | RING SET, PISTON (0.25) (TEIKOKU) | (1)            |                       |
| 001        | 13011-ZL0-004     | RING SET, PISTON (0.25) (NIPPON)  | (1)            |                       |
| 001        | 13012-ZL0-003     | RING SET, PISTON (0.50) (TEIKOKU) | (1)            |                       |
| 001        | 13012-ZL0-004     | RING SET, PISTON (0.50) (NIPPON)  | (1)            |                       |
| 001        | 13013-ZL0-003     | RING SET, PISTON (0.75) (TEIKOKU) | (1)            |                       |
| 001        | 13013-ZL0-004     | RING SET, PISTON (0.75) (NIPPON)  | (1)            |                       |
| 002        | 13101-ZH8-010     | PISTON (STD.)                     | 1              |                       |
| 002        | 13102-ZH8-010     | PISTON (0.25)                     | (1)            |                       |
| 002        | 13103-ZH8-010     | PISTON (0.50)                     | (1)            |                       |
| 002        | 13104-ZH8-010     | PISTON (0.75)                     | (1)            |                       |
| 003        | 13111-ZE1-000     | PIN, PISTON                       | 1              |                       |
| <u>Ref</u> | <u>Partnumber</u> | <u>Description</u>                | <u>GX160K1</u> | <u>Serial Numbers</u> |
| 004        | 13200-ZE1-010     | ROD ASSY., CONNECTING (STD.)      | 1              |                       |
| 005        | 90001-ZE1-000     | BOLT, CONNECTING ROD              | 2              |                       |
| 006        | 90551-ZE1-000     | CLIP, PISTON PIN, 18MM            | 2              |                       |



Z2F0-E0900

FR. →

| Ref | Partnumber    | Description                | GX160K1 | Serial Numbers |
|-----|---------------|----------------------------|---------|----------------|
| 001 | 12209-ZH8-003 | SEAL, VALVE STEM           | 1       |                |
| 002 | 14100-ZE1-812 | CAMSHAFT ASSY.             | 1       |                |
| 004 | 14410-ZE1-010 | ROD, PUSH                  | 2       |                |
| 006 | 14431-ZE1-000 | ARM, VALVE ROCKER          | 2       |                |
| 007 | 14441-ZE1-010 | LIFTER, VALVE              | 2       |                |
| 008 | 14451-ZE1-013 | PIVOT, ROCKER ARM          | 2       |                |
| 009 | 14568-ZE1-000 | SPRING, WEIGHT RETURN      | 1       |                |
| 010 | 14711-ZF1-000 | VALVE, IN.                 | 1       |                |
| 011 | 14721-ZF1-000 | VALVE, EX.                 | 1       |                |
| 012 | 14751-ZF1-000 | SPRING, VALVE              | 2       |                |
| 013 | 14771-ZE1-000 | RETAINER, IN. VALVE SPRING | 1       |                |
| 014 | 14773-ZE1-000 | RETAINER, EX. VALVE SPRING | 1       |                |
| 015 | 14781-ZE1-000 | ROTATOR, VALVE             | 1       |                |
| Ref | Partnumber    | Description                | GX160K1 | Serial Numbers |
| 016 | 14791-ZE1-010 | PLATE, PUSH ROD GUIDE      | 1       |                |
| 017 | 90012-ZE0-010 | BOLT, PIVOT, 8MM           | 2       |                |
| 018 | 90206-ZE1-000 | NUT, PIVOT ADJUSTING       | 2       |                |