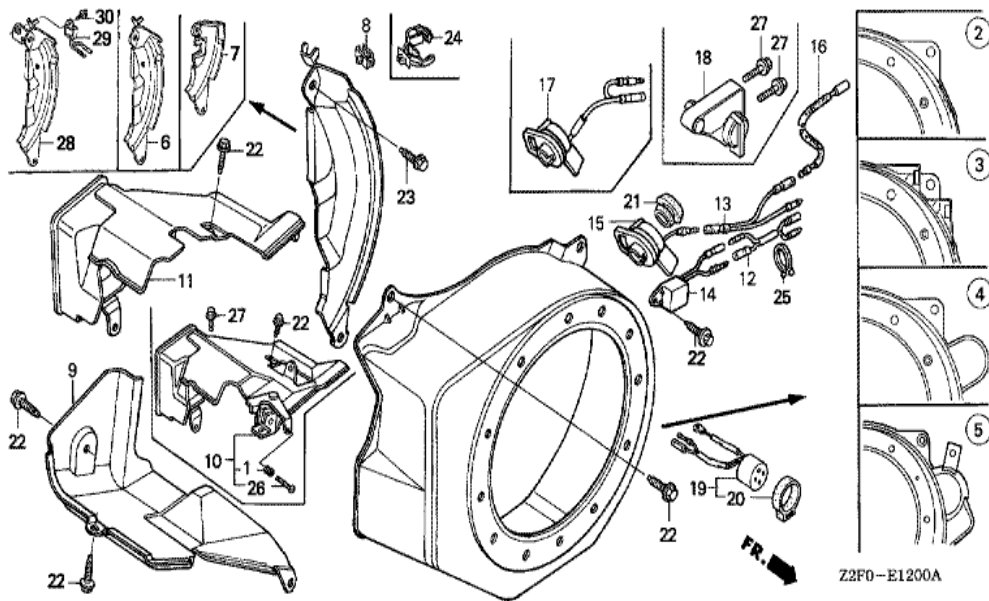


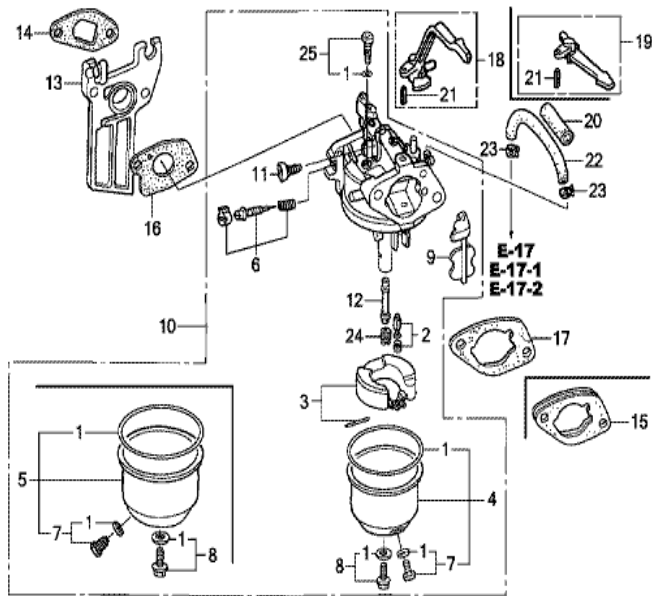


| Ref | Partnumber | Description | GX160K1 | Serial Numbers |
|-----|-----------------|-----------------------------------|---------|----------------|
| 001 | 28400-ZH8-023ZB | STARTER ASSY., RECOIL *NH1 * | 1 | |
| 004 | 28410-ZH8-003ZB | CASE COMP., RECOIL STARTER *NH1 * | 1 | |
| 005 | 28421-ZH8-801 | REEL, RECOIL STARTER (BLACK) | 1 | |
| 006 | 28422-ZH8-801 | RATCHET, STARTER | 2 | |
| 007 | 28431-ZH8-801 | PLATE, FRICTION | 1 | |
| 008 | 28433-ZH8-801 | GUIDE, RATCHET | 1 | |
| 009 | 28441-ZH8-801 | SPRING, FRICTION | 1 | |
| 010 | 28442-ZH8-003 | SPRING, RECOIL STARTER | 1 | |
| 011 | 28443-ZH8-801 | SPRING, RETURN | 2 | |
| 012 | 28461-ZH8-003 | GRIP, STARTER | 1 | |
| 013 | 28462-ZH8-003 | ROPE, RECOIL STARTER | 1 | |
| 015 | 90003-ZH8-801 | SCREW, SETTING | 1 | |
| 016 | 90008-ZE2-003 | BOLT, FLANGE, 6X10 | 3 | |



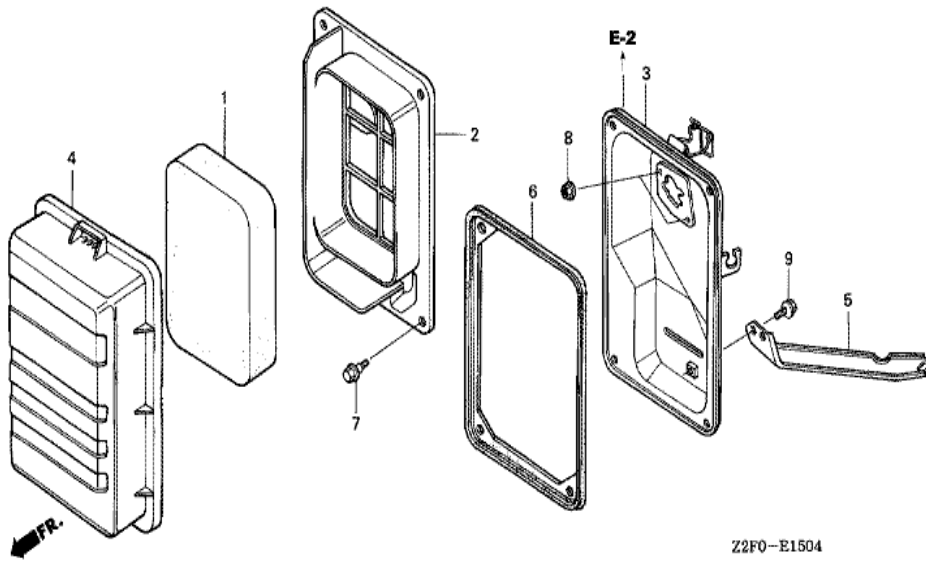
Z2F0-E1200A

| Ref | Partnumber | Description | GX160K1 | Serial Numbers |
|-----|-----------------|-------------------------------|---------|----------------|
| 001 | 16584-883-300 | SPRING, CONTROL ADJUSTING | 1 | |
| 002 | 19610-ZE1-000ZC | COVER COMP., FAN *NH1 * | 1 | |
| 008 | 19613-ZE1-020 | CLAMP, CORD | 1 | |
| 009 | 19630-ZB2-000 | SHROUD COMP., LOWER | 1 | |
| 010 | 19640-ZB2-010 | SHROUD ASSY., UPPER | 1 | |
| 013 | 32197-ZH8-003 | SUB HARNESS | 1 | |
| 021 | 81329-567-020 | GROMMET, DRAIN HOLE | 1 | |
| 022 | 90013-883-000 | BOLT, FLANGE, 6X12 (CT200) | 8 | |
| 023 | 90022-888-010 | BOLT, FLANGE, 6X20 (CT200) | 1 | |
| 026 | 93500-050350A | SCREW, PAN, 5X35 | 1 | |
| 027 | 95701-0600800 | BOLT, FLANGE, 6X8 | 1 | |
| 028 | 19611-ZH8-810 | PLATE COMP., SIDE (OIL ALERT) | 1 | |
| 029 | 34150-ZH7-003 | ALERT UNIT, OIL | 1 | |
| Ref | Partnumber | Description | GX160K1 | Serial Numbers |
| 030 | 95701-0600800 | BOLT, FLANGE, 6X8 | 1 | |



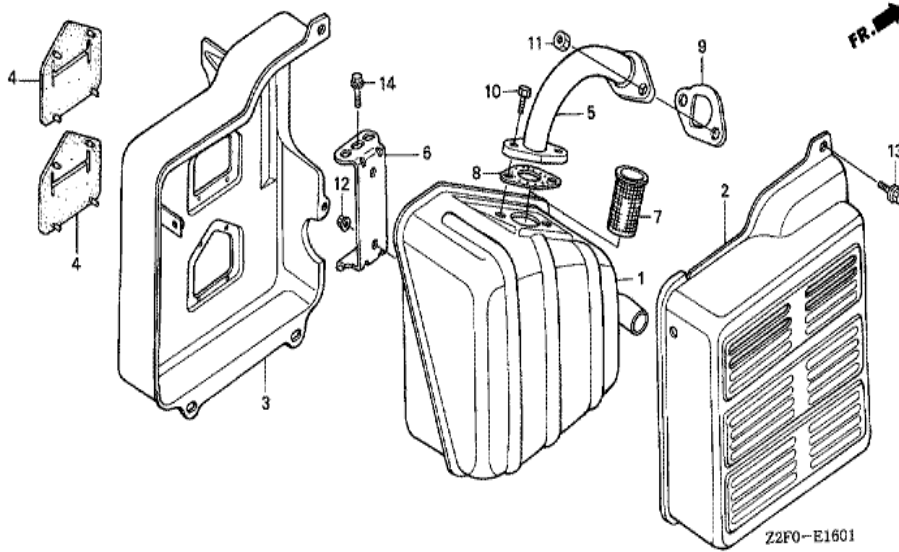
FR. →
Z2FOE1403A

| Ref | Partnumber | Description | GX160K1 | Serial Numbers |
|-----|---------------|----------------------------|---------|----------------|
| 001 | 16010-ZB1-015 | GASKET SET | 1 | |
| 002 | 16011-ZE0-005 | VALVE SET, FLOAT | 1 | |
| 003 | 16013-ZE0-005 | FLOAT SET | 1 | |
| 004 | 16015-ZE0-831 | CHAMBER SET, FLOAT | 1 | |
| 006 | 16016-ZH7-W01 | SCREW SET, PILOT | 1 | |
| 007 | 16024-ZE1-811 | SCREW SET, DRAIN | 1 | |
| 008 | 16028-ZE0-005 | SCREW SET | 1 | |
| 009 | 16044-ZE0-005 | CHOKE SET | 1 | |
| 010 | 16100-ZH8-E81 | CARBURETOR ASSY. (BE67A B) | 1 | |
| 011 | 16124-ZE0-005 | SCREW, THROTTLE STOP | 1 | |
| 012 | 16166-ZH8-E80 | NOZZLE, MAIN | 1 | |
| 013 | 16211-ZE1-000 | INSULATOR, CARBURETOR | 1 | |
| 014 | 16212-ZH8-800 | PACKING, INSULATOR | 1 | |
| Ref | Partnumber | Description | GX160K1 | Serial Numbers |
| 016 | 16221-ZH8-801 | PACKING, CARBURETOR | 1 | |
| 017 | 16269-ZE1-800 | PACKING, AIR CLEANER | 1 | |
| 018 | 16610-ZB2-000 | LEVER COMP., CHOKE | 1 | |
| 021 | 94305-20122 | PIN, SPRING, 2X12 | 1 | |
| 024 | 99101-ZH80700 | JET, MAIN, #70 | (1) | |
| 024 | 99101-ZH80720 | JET, MAIN, #72 | (1) | |
| 024 | 99101-ZH80750 | JET, MAIN, #75 | 1 | |
| 025 | 99204-ZE00350 | JET SET, PILOT, #35 | 1 | |

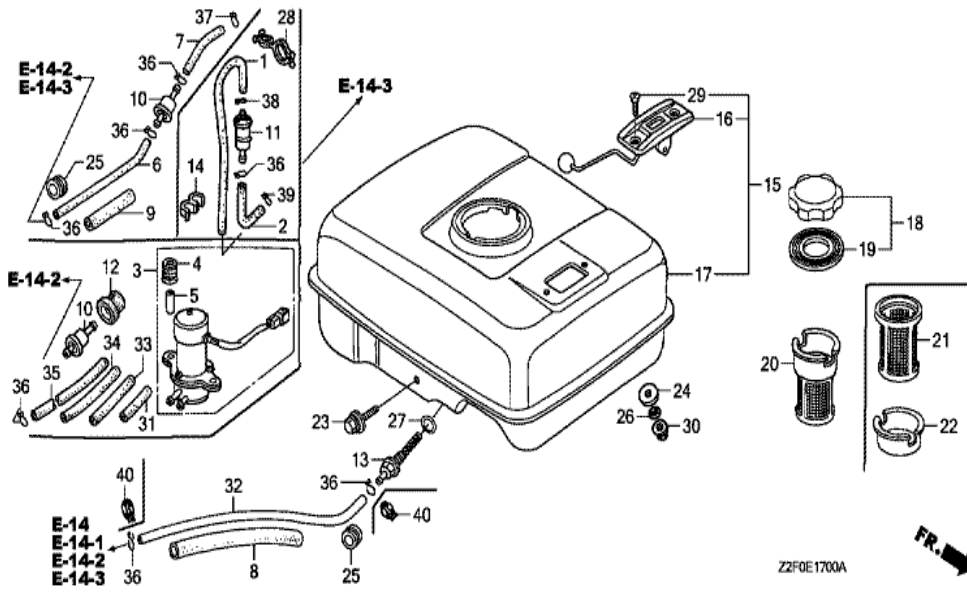


Z2F0-E1504

| Ref | Partnumber | Description | GX160K1 | Serial Numbers |
|-----|---------------|-------------------------|---------|----------------|
| 001 | 17211-ZB2-000 | ELEMENT, AIR CLEANER | 1 | |
| 002 | 17212-ZB2-000 | SEPARATOR, AIR CLEANER | 1 | |
| 003 | 17220-ZB2-000 | CASE COMP., AIR CLEANER | 1 | |
| 004 | 17231-ZB2-000 | COVER, AIR CLEANER | 1 | |
| 005 | 17239-ZB2-000 | STAY, AIR CLEANER | 1 | |
| 006 | 17252-ZB2-000 | SEAL, AIR CLEANER | 1 | |
| 007 | 90115-459-770 | BOLT, WINKER SETTING | 4 | |
| 008 | 94050-06080 | NUT, FLANGE, 6MM | 2 | |
| 009 | 95701-0600800 | BOLT, FLANGE, 6X8 | 1 | |



| Ref | Partnumber | Description | GX160K1 | Serial Numbers |
|-----|---------------|--------------------------|---------|----------------|
| 001 | 18310-ZB3-C00 | MUFFLER COMP. | 1 | |
| 003 | 18325-ZB2-000 | PROTECTOR, MUFFLER INNER | 1 | |
| 004 | 18329-ZB2-000 | SEAL, MUFFLER PROTECTOR | 2 | |
| 005 | 18330-ZB2-000 | PIPE COMP., EX. | 1 | |
| 006 | 18338-ZB3-E30 | STAY, MUFFLER | 1 | |
| 007 | 18355-898-630 | ARRESTER, SPARK | 1 | |
| 008 | 18381-ZE1-800 | GASKET, MUFFLER | 1 | |
| 009 | 18381-ZH8-800 | GASKET, MUFFLER | 1 | |
| 010 | 92101-080200A | BOLT, HEX., 8X20 | 2 | |
| 011 | 94001-080000S | NUT, HEX., 8MM | 2 | |
| 012 | 94050-06000 | NUT, FLANGE, 6MM | 2 | |
| 014 | 95801-0802018 | BOLT, FLANGE, 8X20 | 1 | |



| Ref | Partnumber | Description | GX160K1 | Serial Numbers |
|-----|---------------|---------------------------------------|---------|----------------|
| 025 | 90854-ZB3-000 | RUBBER, FUEL (9X15X20) | 1 | |
| 032 | 95001-4515040 | TUBE, FUEL, 4.5X150 (95001-45001-60M) | 1 | |
| 036 | 95002-02080 | CLIP, TUBE (B8) | 2 | |



Z2F0-E1900

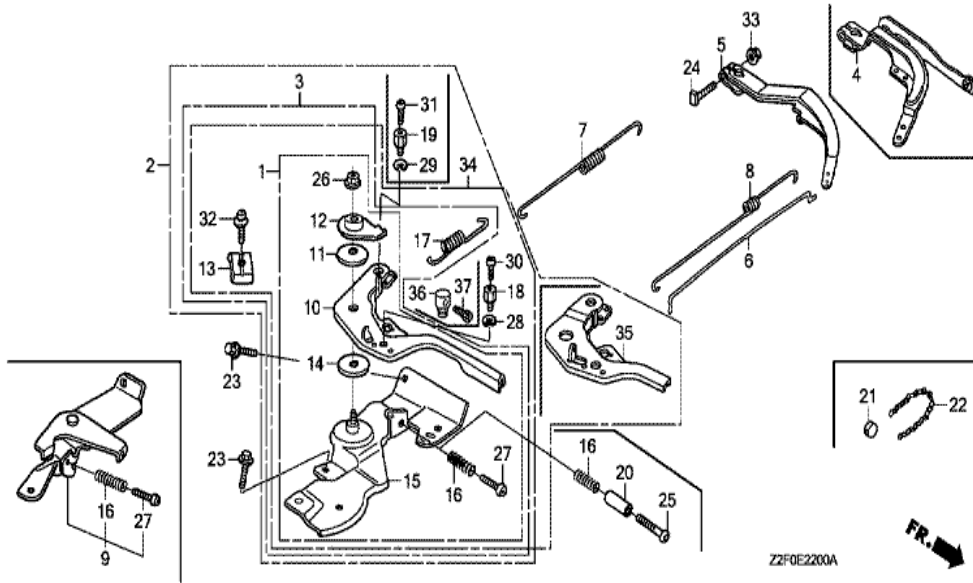
| Ref | Partnumber | Description | GX160K1 | Serial Numbers |
|-----|---------------|------------------------------|---------|----------------|
| 001 | 13331-357-000 | KEY, SPECIAL WOODRUFF, 25X18 | 1 | |
| 002 | 19511-ZE1-000 | FAN, COOLING | 1 | |
| 006 | 28451-ZH8-801 | PULLEY, STARTER | 1 | |
| 007 | 31100-ZE1-010 | FLYWHEEL COMP. | 1 | |
| 011 | 90201-878-003 | NUT, SPECIAL, 14MM | 1 | |



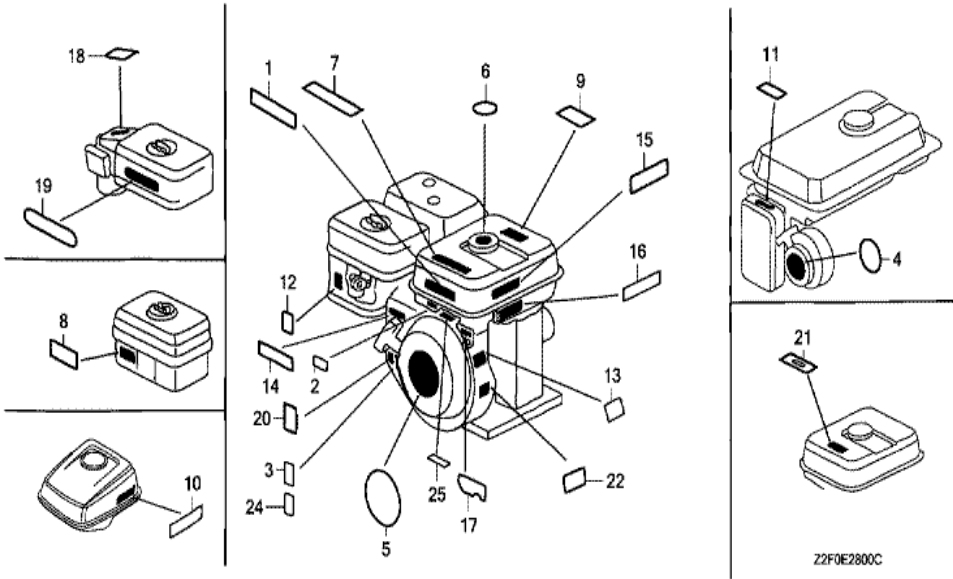
| Ref | Partnumber | Description | GX160K1 | Serial Numbers |
|-----|---------------|--------------------------------|---------|----------------|
| 001 | 12204-ZE1-306 | GUIDE, IN. VALVE (OS) | 1 | |
| 002 | 12205-ZE1-315 | GUIDE, EX. VALVE (OS) | 1 | |
| 003 | 12210-ZH8-405 | HEAD COMP., CYLINDER | 1 | 1237986 |
| 003 | 12210-ZH8-415 | HEAD COMP., CYLINDER | 1 | 1237987 |
| 004 | 12216-ZE5-300 | CLIP, VALVE GUIDE | 1 | |
| 005 | 12251-ZF1-800 | GASKET, CYLINDER HEAD | 1 | |
| 006 | 12310-ZE1-020 | COVER COMP., HEAD | 1 | |
| 007 | 12391-ZE1-000 | PACKING, HEAD COVER | 1 | |
| 008 | 15721-883-030 | TUBE, BREATHER | 1 | |
| 009 | 90013-883-000 | BOLT, FLANGE, 6X12 (CT200) | 4 | |
| 010 | 90043-ZB2-003 | BOLT, STUD, 6X94 | 2 | |
| 011 | 90047-ZE1-000 | BOLT, STUD, 8X32 | 2 | |
| 012 | 94301-10160 | DOWEL PIN, 10X16 | 2 | |
| Ref | Partnumber | Description | GX160K1 | Serial Numbers |
| 014 | 95723-0806000 | BOLT, FLANGE, 8X60 | 4 | |
| 015 | 98079-56846 | PLUG, SPARK (BPR6ES) (NGK) | 1 | |
| 015 | 98079-56855 | PLUG, SPARK (W20EPR-U) (DENSO) | 1 | |



| Ref | Partnumber | Description | GX160K1 | Serial Numbers |
|-----|---------------|---|---------|-----------------|
| 001 | 30500-ZE1-043 | COIL ASSY., IGNITION | 1 | 1049706 |
| 001 | 30500-ZE1-053 | COIL ASSY., IGNITION | 1 | 1049707 1067684 |
| 001 | 30500-ZE1-063 | COIL ASSY., IGNITION | 1 | 1067685 |
| 002 | 30700-ZE1-013 | CAP ASSY., NOISE SUPPRESSOR (NICHIIWA Y-E | 1 | |
| 012 | 36101-ZB2-010 | CORD, STOP SWITCH (395MM) | 1 | |
| 015 | 90121-952-000 | BOLT, FLANGE, 6X25 (CT200) | 2 | |

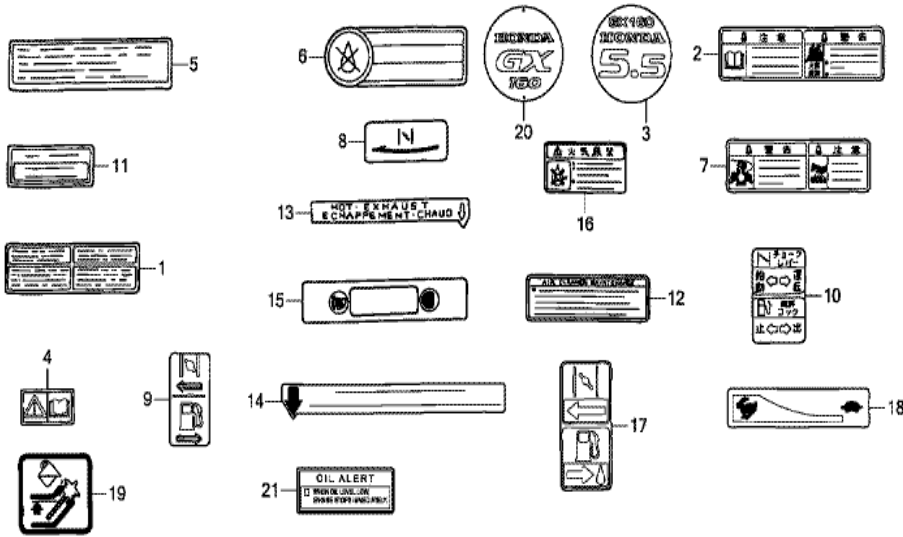


| Ref | Partnumber | Description | GX160K1 | Serial Numbers |
|-----|---------------|-------------------------|---------|----------------|
| 005 | 16551-ZE0-010 | ARM, GOVERNOR | 1 | |
| 006 | 16555-ZE1-000 | ROD, GOVERNOR | 1 | |
| 007 | 16561-ZH8-D00 | SPRING, GOVERNOR | 1 | |
| 008 | 16562-ZE1-020 | SPRING, THROTTLE RETURN | 1 | |
| 024 | 90015-ZE5-010 | BOLT, GOVERNOR ARM | 1 | |
| 033 | 94050-06000 | NUT, FLANGE, 6MM | 1 | |



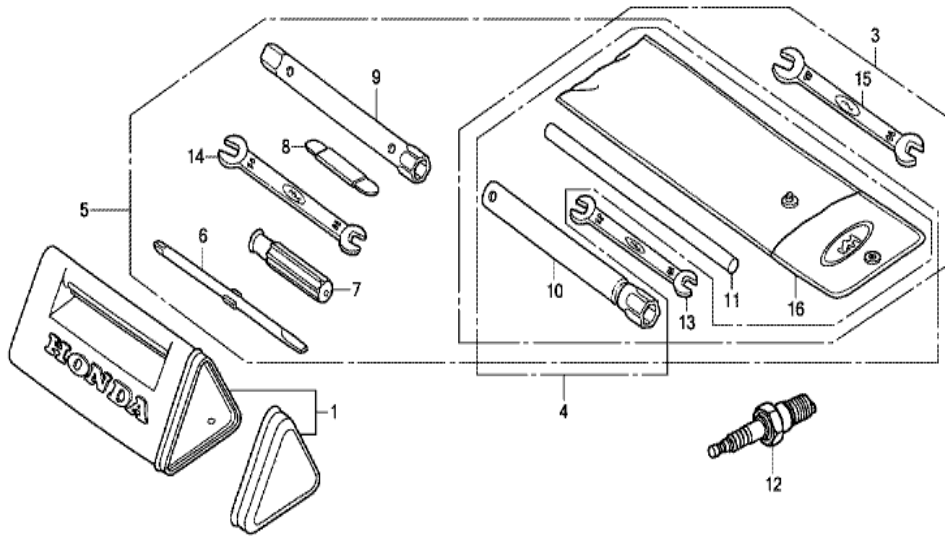
Z2F0E2800C

| Ref | Partnumber | Description | GX160K1 | Serial Numbers |
|-----|---------------|--------------------|---------|----------------|
| 005 | 87521-ZH8-030 | EMBLEM (GX160 5.5) | 1 | |
| 022 | 87594-ZB4-A00 | MARK, OIL CAUTION | 1 | |



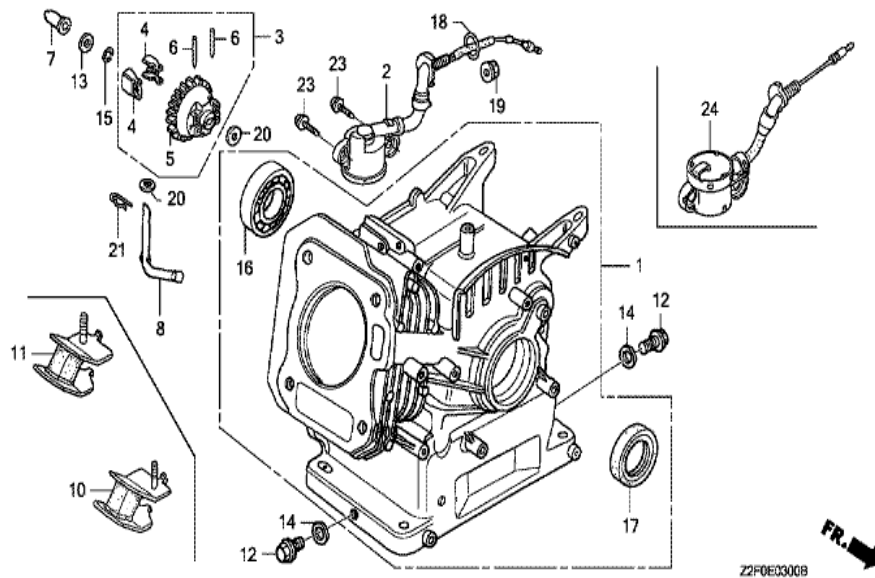
Z2F0E2801D

| Ref | Partnumber | Description | GX160K1 | Serial Numbers |
|-----|---------------|--|---------|----------------|
| 006 | 87522-883-660 | MARK, CAUTION (ENGLISH/FRENCH/SPANISH) | 1 | |
| 008 | 87528-ZB2-630 | MARK, CHOKE | 1 | |
| 012 | 87533-ZC0-630 | MARK, AIR CLEANER (ENGLISH) | 1 | |
| 013 | 87539-ZB2-630 | MARK, EX. CAUTION | 1 | |



Z2FUE2900A

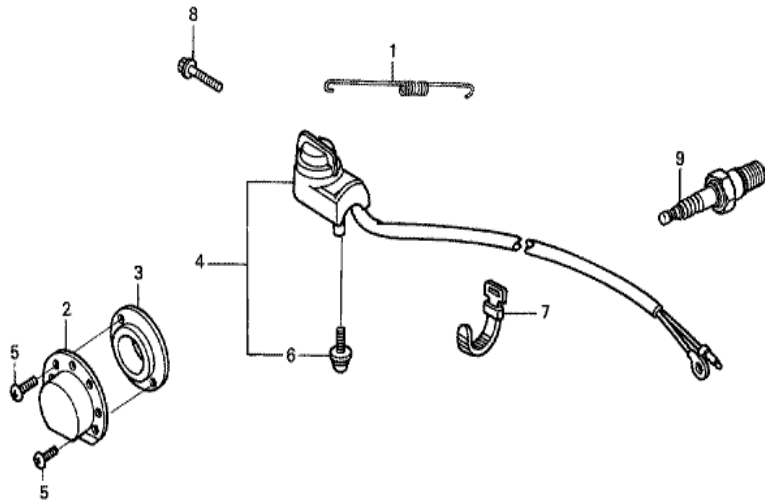
| Ref | Partnumber | Description | GX160K1 | Serial Numbers |
|-----|-------------|-------------------|---------|----------------|
| 010 | 99004-21001 | WRENCH, BOX (P21) | 1 | |



Z2F0E03008

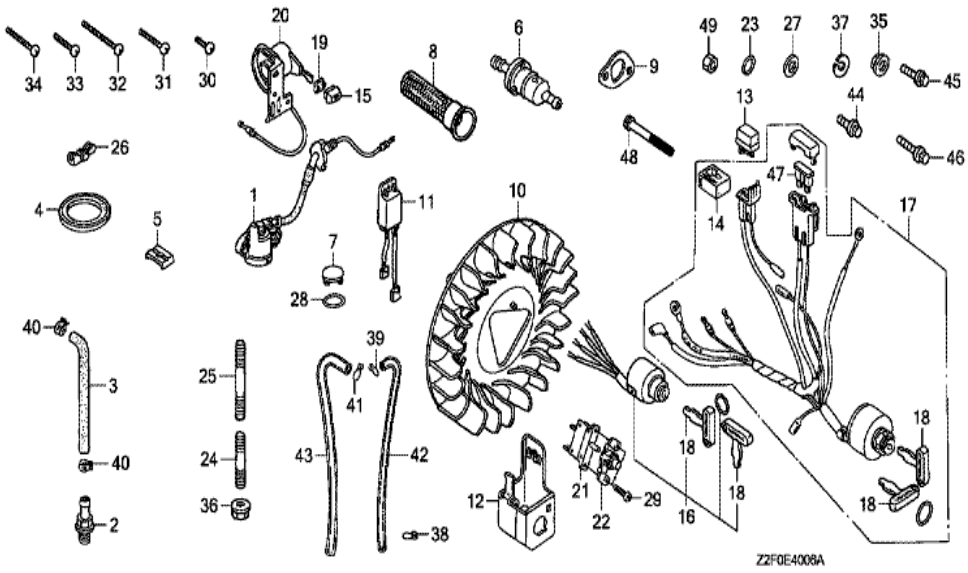
FR. →

| Ref | Partnumber | Description | GX160K1 | Serial Numbers |
|-----|---------------|--------------------------------------|---------|----------------|
| 001 | 12000-ZH8-426 | BARREL ASSY., CYLINDER (OIL ALERT) | 1 | |
| 002 | 15510-ZE1-033 | SWITCH ASSY., OIL LEVEL | 1 | |
| 003 | 16510-ZE1-000 | GOVERNOR ASSY. | 1 | |
| 004 | 16511-ZE1-000 | WEIGHT, GOVERNOR | 2 | |
| 005 | 16512-ZE1-000 | HOLDER, GOVERNOR WEIGHT | 1 | |
| 006 | 16513-ZE1-000 | PIN, GOVERNOR WEIGHT | 2 | |
| 007 | 16531-ZE1-000 | SLIDER, GOVERNOR | 1 | |
| 008 | 16541-ZE1-000 | SHAFT, GOVERNOR ARM | 1 | |
| 012 | 90131-ZE1-000 | BOLT, DRAIN PLUG | 2 | |
| 013 | 90451-ZE1-000 | WASHER, THRUST, 6MM | 1 | |
| 014 | 90601-ZE1-000 | WASHER, DRAIN PLUG, 10.2MM | 2 | |
| 015 | 90602-ZE1-000 | CLIP, GOVERNOR HOLDER | 1 | |
| 016 | 91001-ZF1-003 | BEARING, RADIAL BALL (6205TMB) (NTN) | 1 | |
| Ref | Partnumber | Description | GX160K1 | Serial Numbers |
| 016 | 91001-ZF1-004 | BEARING, RADIAL BALL (6205SH) (KOYO) | 1 | |
| 017 | 91201-Z0T-801 | OIL SEAL, 25X41X6 (NOK) | 1 | |
| 018 | 91353-671-004 | O-RING, 14MM (NOK) | 1 | |
| 019 | 94050-10000 | NUT, FLANGE, 10MM | 1 | |
| 020 | 94101-06800 | WASHER, PLAIN, 6MM | 2 | |
| 021 | 94251-08000 | PIN, LOCK, 8MM | 1 | |
| 023 | 95701-0601200 | BOLT, FLANGE, 6X12 | 2 | |

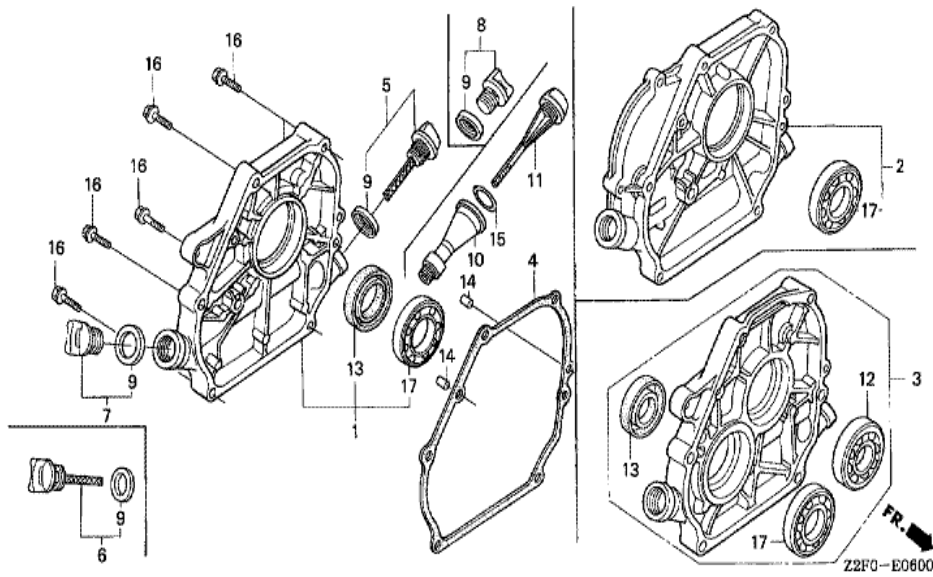


Z2F0-E4000

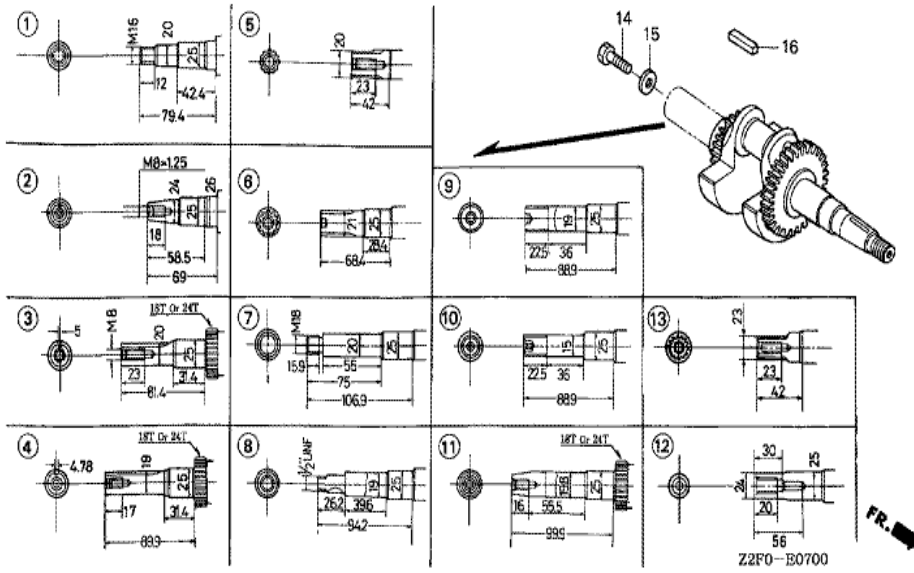
| Ref | Partnumber | Description | GX160K1 | Serial Numbers |
|-----|---------------|--------------------|---------|----------------|
| 008 | 95801-0802018 | BOLT, FLANGE, 8X20 | 1 | |



| Ref | Partnumber | Description | GX160K1 | Serial Numbers |
|-----|---------------|--------------------|---------|----------------|
| 035 | 94050-06000 | NUT, FLANGE, 6MM | 2 | |
| 044 | 95701-0601000 | BOLT, FLANGE, 6X10 | 5 | |

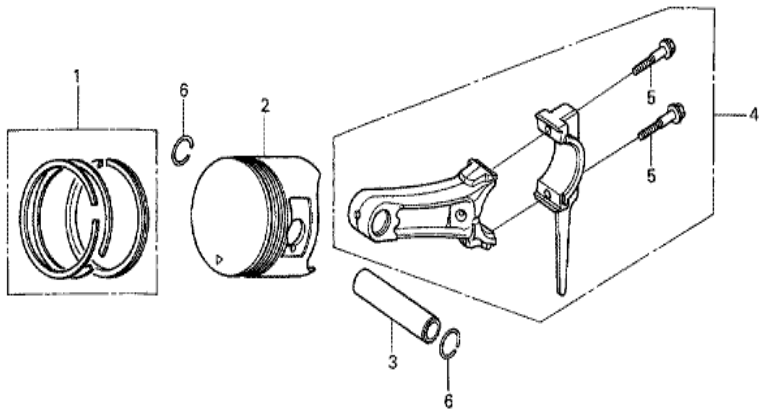


| Ref | Partnumber | Description | GX160K1 | Serial Numbers |
|-----|---------------|------------------------------------|---------|----------------|
| 001 | 11300-ZE1-634 | COVER ASSY., CRANKCASE | 1 | |
| 004 | 11381-ZH8-801 | PACKING, CASE COVER (NON ASBESTOS) | 1 | |
| 005 | 15600-ZE1-003 | CAP ASSY., OIL FILLER (GRAY) | 1 | |
| 007 | 15600-ZG4-003 | CAP ASSY., OIL FILLER | 1 | |
| 009 | 15625-ZE1-003 | PACKING, OIL FILLER CAP | 2 | |
| 013 | 91201-Z0T-801 | OIL SEAL, 25X41X6 (NOK) | 1 | |
| 014 | 94301-08140 | DOWEL PIN, 8X14 | 2 | |
| 016 | 95701-0803200 | BOLT, FLANGE, 8X32 | 6 | |
| 017 | 96100-6205000 | BEARING, RADIAL BALL, 6205 | 1 | |



Z2F0-B0700

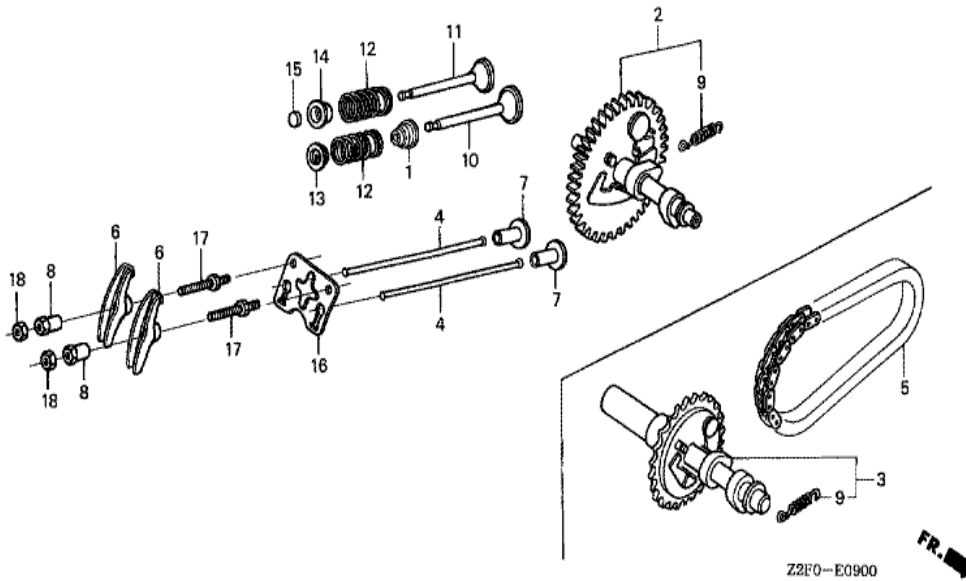
| Ref | Partnumber | Description | GX160K1 | Serial Numbers |
|-----|---------------|------------------|---------|----------------|
| 002 | 13310-ZB2-000 | CRANKSHAFT COMP. | 1 | |



Z2F0-E0800



| <u>Ref</u> | <u>Partnumber</u> | <u>Description</u> | <u>GX160K1</u> | <u>Serial Numbers</u> |
|------------|-------------------|-----------------------------------|----------------|-----------------------|
| 001 | 13010-ZL0-003 | RING SET, PISTON (STD.) (TEIKOKU) | 1 | |
| 001 | 13010-ZL0-004 | RING SET, PISTON (STD.) (NIPPON) | 1 | |
| 001 | 13011-ZL0-003 | RING SET, PISTON (0.25) (TEIKOKU) | (1) | |
| 001 | 13011-ZL0-004 | RING SET, PISTON (0.25) (NIPPON) | (1) | |
| 001 | 13012-ZL0-003 | RING SET, PISTON (0.50) (TEIKOKU) | (1) | |
| 001 | 13012-ZL0-004 | RING SET, PISTON (0.50) (NIPPON) | (1) | |
| 001 | 13013-ZL0-003 | RING SET, PISTON (0.75) (TEIKOKU) | (1) | |
| 001 | 13013-ZL0-004 | RING SET, PISTON (0.75) (NIPPON) | (1) | |
| 002 | 13101-ZH8-010 | PISTON (STD.) | 1 | |
| 002 | 13102-ZH8-010 | PISTON (0.25) | (1) | |
| 002 | 13103-ZH8-010 | PISTON (0.50) | (1) | |
| 002 | 13104-ZH8-010 | PISTON (0.75) | (1) | |
| 003 | 13111-ZE1-000 | PIN, PISTON | 1 | |
| <u>Ref</u> | <u>Partnumber</u> | <u>Description</u> | <u>GX160K1</u> | <u>Serial Numbers</u> |
| 004 | 13200-ZE1-010 | ROD ASSY., CONNECTING (STD.) | 1 | |
| 005 | 90001-ZE1-000 | BOLT, CONNECTING ROD | 2 | |
| 006 | 90551-ZE1-000 | CLIP, PISTON PIN, 18MM | 2 | |



| <u>Ref</u> | <u>Partnumber</u> | <u>Description</u> | <u>GX160K1</u> | <u>Serial Numbers</u> |
|------------|-------------------|----------------------------|----------------|-----------------------|
| 001 | 12209-ZH8-003 | SEAL, VALVE STEM | 1 | |
| 002 | 14100-ZE1-812 | CAMSHAFT ASSY. | 1 | |
| 004 | 14410-ZE1-010 | ROD, PUSH | 2 | |
| 006 | 14431-ZE1-000 | ARM, VALVE ROCKER | 2 | |
| 007 | 14441-ZE1-010 | LIFTER, VALVE | 2 | |
| 008 | 14451-ZE1-013 | PIVOT, ROCKER ARM | 2 | |
| 009 | 14568-ZE1-000 | SPRING, WEIGHT RETURN | 1 | |
| 010 | 14711-ZF1-000 | VALVE, IN. | 1 | |
| 011 | 14721-ZF1-000 | VALVE, EX. | 1 | |
| 012 | 14751-ZF1-000 | SPRING, VALVE | 2 | |
| 013 | 14771-ZE1-000 | RETAINER, IN. VALVE SPRING | 1 | |
| 014 | 14773-ZE1-000 | RETAINER, EX. VALVE SPRING | 1 | |
| 015 | 14781-ZE1-000 | ROTATOR, VALVE | 1 | |
| <u>Ref</u> | <u>Partnumber</u> | <u>Description</u> | <u>GX160K1</u> | <u>Serial Numbers</u> |
| 016 | 14791-ZE1-010 | PLATE, PUSH ROD GUIDE | 1 | |
| 017 | 90012-ZE0-010 | BOLT, PIVOT, 8MM | 2 | |
| 018 | 90206-ZE1-000 | NUT, PIVOT ADJUSTING | 2 | |