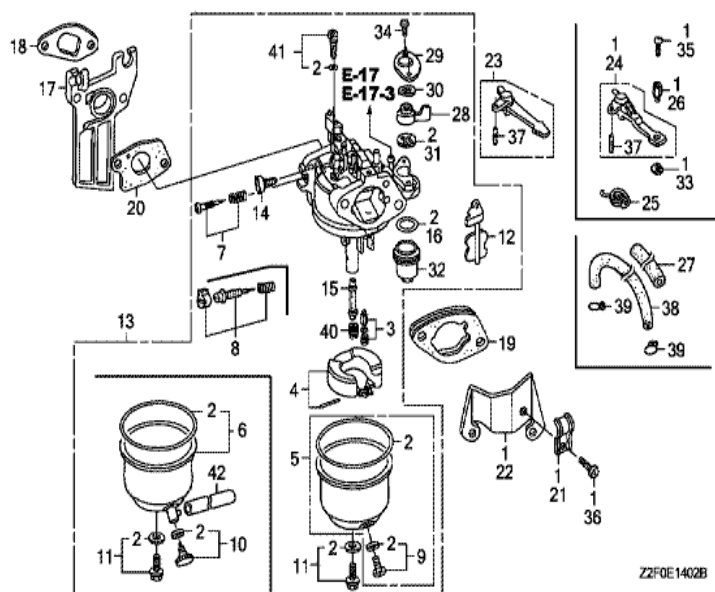


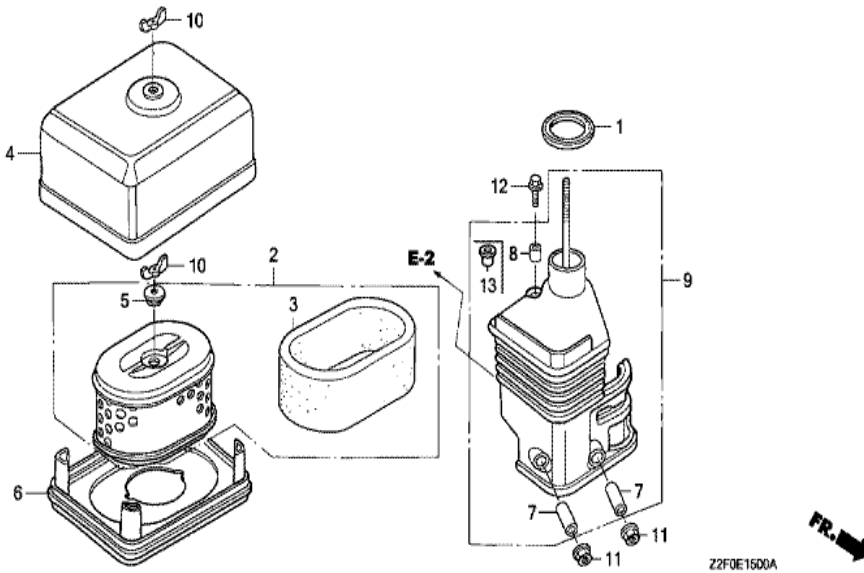
Ref	Partnumber	Description	GX160K1	Serial Numbers
004	19610-ZE1-820ZG	COVER COMP., FAN (STARTER MOTOR) *R280 *	1	1326972
004	19610-ZE1-821ZG	COVER COMP., FAN (STARTER MOTOR) *R280 *	1	1326973
007	19612-ZH8-840	PLATE, SIDE (STARTER MOTOR)	1	
009	19630-ZB2-000	SHROUD COMP., LOWER	1	
011	19640-ZH8-V11	SHROUD ASSY., UPPER (KOMATSU)	1	
012	32105-ZH8-V10	CABLE, DOUBLE CONNECTOR	1	
014	34150-ZH7-003	ALERT UNIT, OIL	1	1361665
014	34150-ZH7-013	ALERT UNIT, OIL	1	1361666
019	38400-ZE8-003	BUZZER ASSY.	1	
020	38402-GC1-000	SUSPENSION, AUDIBLE PILOT	1	
022	90013-883-000	BOLT, FLANGE, 6X12 (CT200)	6	
023	90121-952-000	BOLT, FLANGE, 6X25 (CT200)	1	
025	90630-751-000	CLIP, PURSE LOCK	1	
Ref	Partnumber	Description	GX160K1	Serial Numbers
027	95701-0600800	BOLT, FLANGE, 6X8	1	
030	95701-0600800	BOLT, FLANGE, 6X8	1	



ZZFOE1402B



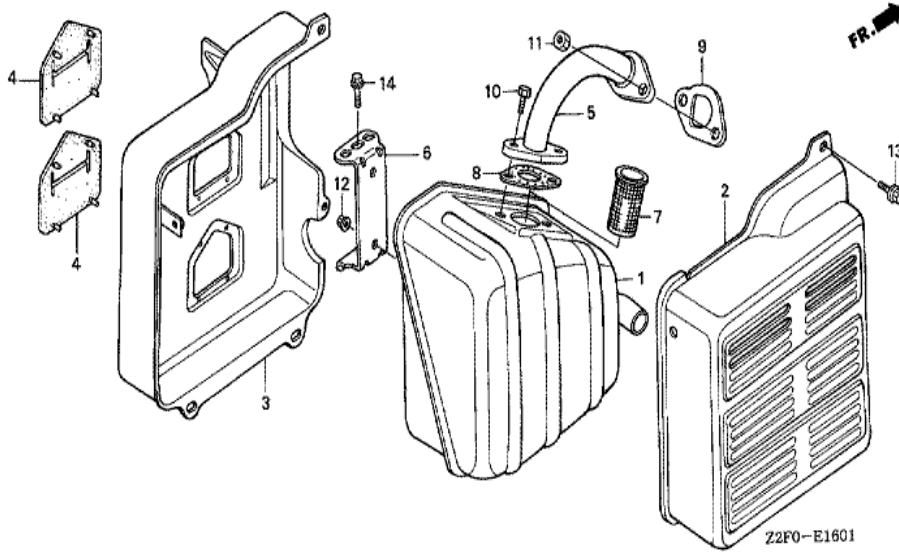
<u>Ref</u>	<u>Partnumber</u>	<u>Description</u>	<u>GX160K1</u>	<u>Serial Numbers</u>
002	16010-ZE1-812	GASKET SET	1	
003	16011-ZE0-005	VALVE SET, FLOAT	1	
004	16013-ZE0-005	FLOAT SET	1	
005	16015-ZE0-831	CHAMBER SET, FLOAT	1	
007	16016-ZE0-005	SCREW SET, PILOT	1	
009	16024-ZE1-811	SCREW SET, DRAIN	1	
011	16028-ZE0-005	SCREW SET	1	
013	16100-ZH8-V11	CARBURETOR ASSY. (BE07C B)	1	
014	16124-ZE0-005	SCREW, THROTTLE STOP	1	
015	16166-ZF1-005	NOZZLE, MAIN	1	
016	16173-001-004	PACKING, FUEL STRAINER CUP	1	
017	16211-ZE1-000	INSULATOR, CARBURETOR	1	
018	16212-ZH8-800	PACKING, INSULATOR	1	
<u>Ref</u>	<u>Partnumber</u>	<u>Description</u>	<u>GX160K1</u>	<u>Serial Numbers</u>
019	16220-ZE1-020	SPACER COMP., CARBURETOR	1	
020	16221-ZH8-801	PACKING, CARBURETOR	1	
028	16953-ZE1-812	LEVER, COCK	1	
029	16954-ZE1-812	PLATE, LEVER SETTING	1	
030	16956-ZE1-811	SPRING, COCK LEVER	1	
031	16957-ZE1-812	PACKING, FUEL COCK	1	
032	16967-ZE0-811	CUP, FUEL STRAINER	1	
034	93500-030061H	SCREW, PAN, 3X6	2	
040	99101-ZH80620	JET, MAIN, #62	(1)	
040	99101-ZH80650	JET, MAIN, #65	(1)	
040	99101-ZH80680	JET, MAIN, #68	1	
041	99204-ZE00350	JET SET, PILOT, #35	1	



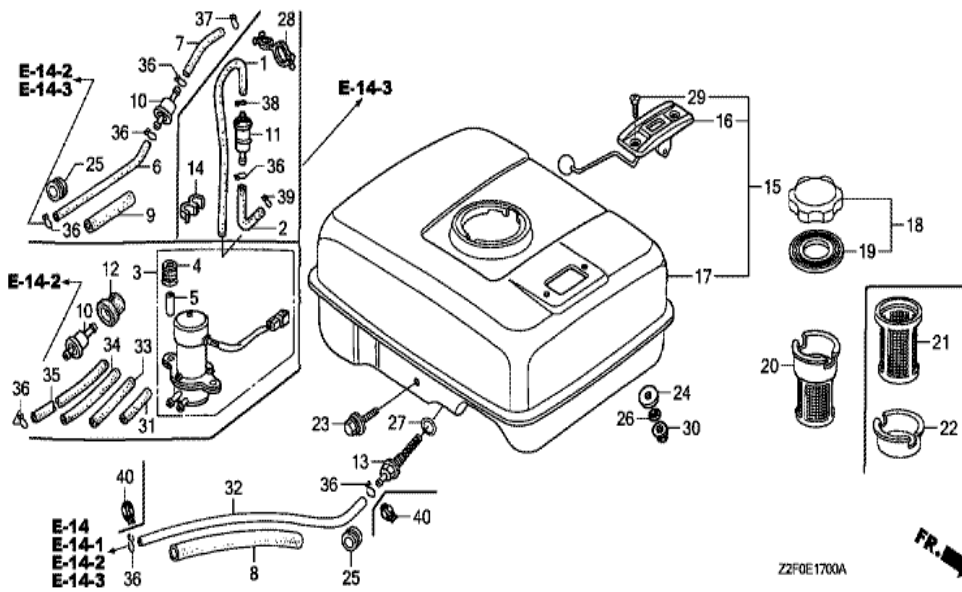
Z2F0E15D0A

FR. →

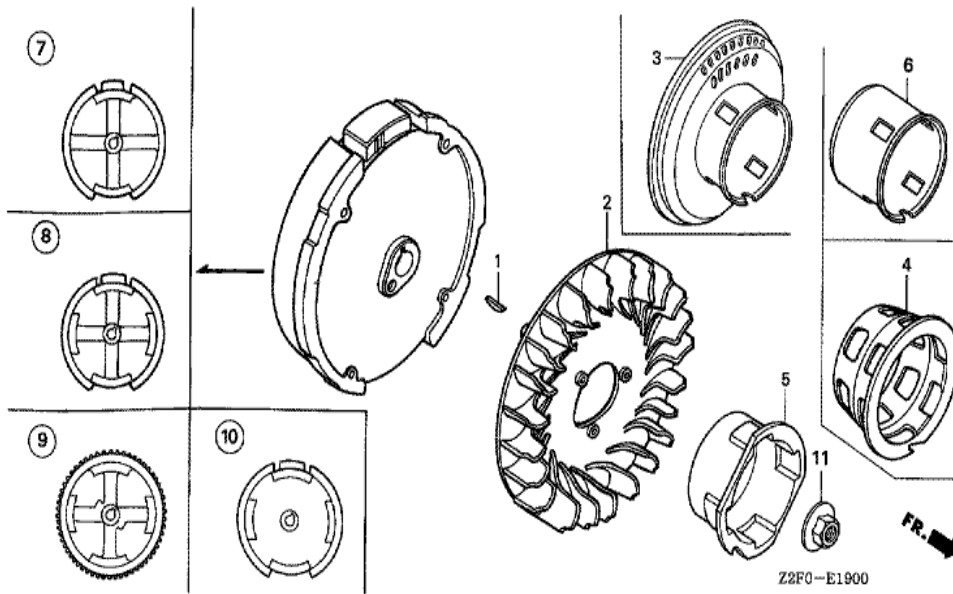
Ref	Partnumber	Description	GX160K1	Serial Numbers
001	16271-ZE1-000	PACKING, ELBOW	1	
002	17210-ZE1-822	ELEMENT, AIR CLEANER (DUAL)	1	
003	17218-ZE1-821	FILTER, OUTER	1	
004	17230-ZE1-820	COVER, AIR CLEANER (DUAL)	1	
005	17232-891-000	GROMMET, AIR CLEANER	1	
006	17235-ZE1-831	NOSE, SILENCER	1	
007	17238-ZE7-010	COLLAR, AIR CLEANER	2	
008	17239-ZE1-000	COLLAR B, AIR CLEANER	1	1254541
009	17410-ZE1-020	ELBOW COMP., AIR CLEANER	1	1254541
009	17410-ZE1-800	ELBOW COMP., AIR CLEANER	1	1254542
010	90325-044-000	NUT, TOOL BOX SETTING	2	
011	94050-06000	NUT, FLANGE, 6MM	2	
012	95701-0602000	BOLT, FLANGE, 6X20	1	
Ref	Partnumber	Description	GX160K1	Serial Numbers
013	11826-750-800	COLLAR, DUST COVER	1	1254542



<u>Ref</u>	<u>Partnumber</u>	<u>Description</u>	<u>GX160K1</u>	<u>Serial Numbers</u>
001	18310-ZB2-000	MUFFLER COMP.	1	
002	18320-ZB2-000	PROTECTOR, MUFFLER OUTER	1	
003	18325-ZH8-T90	PROTECTOR, MUFFLER INNER (DENYO)	1	
004	18329-ZB2-000	SEAL, MUFFLER PROTECTOR	2	
005	18330-ZB2-000	PIPE COMP., EX.	1	
008	18381-ZH8-800	GASKET, MUFFLER	1	

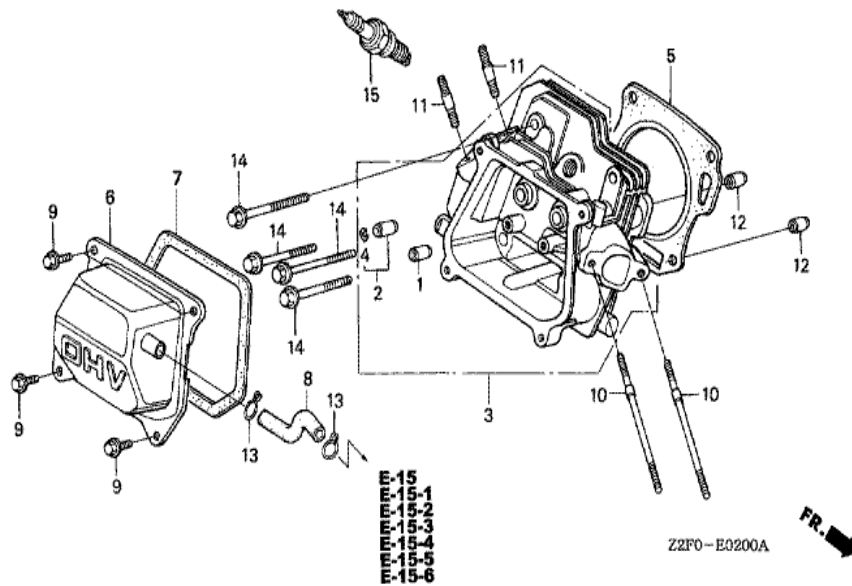


Ref	Partnumber	Description	GX160K1	Serial Numbers
003	16700-ZA0-971	PUMP ASSY., FUEL (ELECTROMAGNETIC)	1	
004	16711-679-000	RUBBER, FUEL PUMP MOUNTING	2	
005	16712-657-300	COLLAR, FUEL PUMP DISTANCE	2	
008	16854-ZH8-000	RUBBER, SUPPORTER (107MM)	1	
010	16910-GB2-005	STRAINER COMP., FUEL	1	
012	16915-GB2-000	SUSPENSION, STRAINER	1	
031	95001-4504040	TUBE, FUEL, 4.5X40 (95001-4500 (95001-45	1	
033	95001-4518040	TUBE, FUEL, 4.5X180 (95001-45001-60M)	1	
034	95001-4524040	TUBE, FUEL, 4.5X240 (95001-450 (95001-45	1	
035	95001-4577040	TUBE, FUEL, 4.5X770 (95001-45001-60M)	1	
036	95002-02080	CLIP, TUBE (B8)	1	

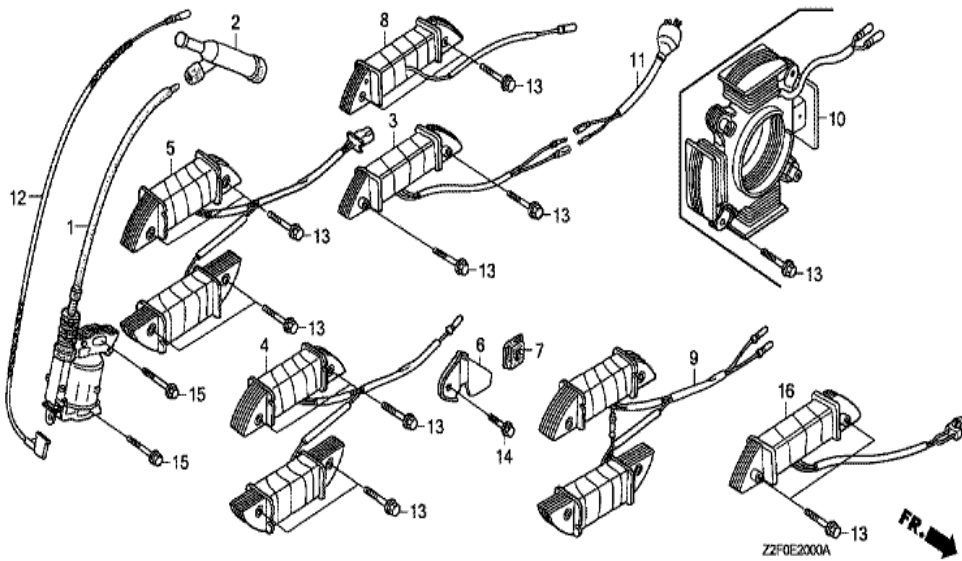


Z2F0-E1900

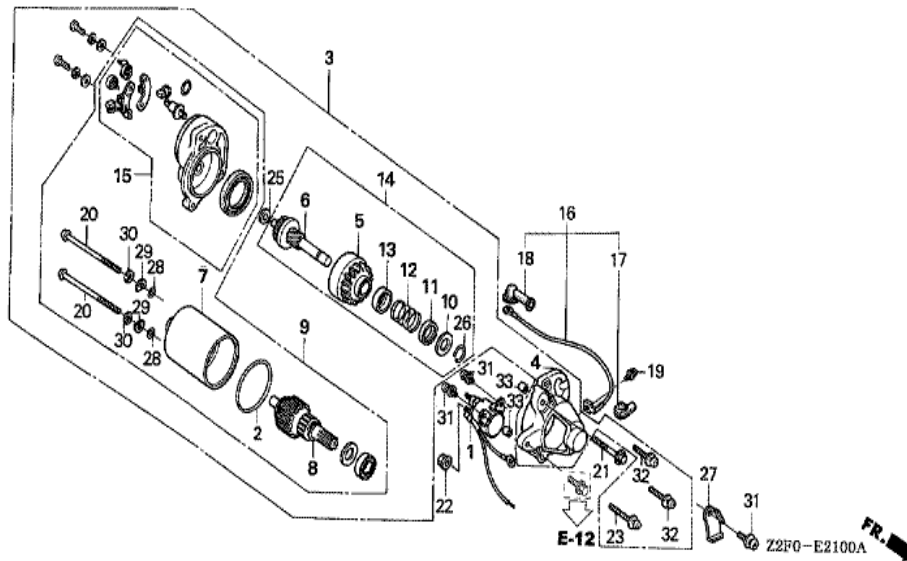
Ref	Partnumber	Description	GX160K1	Serial Numbers
001	13331-357-000	KEY, SPECIAL WOODRUFF, 25X18	1	
002	19511-ZE1-000	FAN, COOLING	1	
005	28451-ZH8-003	PULLEY, STARTER	1	
009	31100-ZE1-821	FLYWHEEL COMP. (STARTER MOTOR)	1	
011	90201-878-003	NUT, SPECIAL, 14MM	1	



Ref	Partnumber	Description	GX160K1	Serial Numbers
001	12204-ZE1-306	GUIDE, IN. VALVE (OS)	1	
002	12205-ZE1-315	GUIDE, EX. VALVE (OS)	1	
003	12210-ZH8-405	HEAD COMP., CYLINDER	1	1237986
003	12210-ZH8-415	HEAD COMP., CYLINDER	1	1237987
004	12216-ZE5-300	CLIP, VALVE GUIDE	1	
005	12251-ZF1-800	GASKET, CYLINDER HEAD	1	
006	12310-ZE1-020	COVER COMP., HEAD	1	
007	12391-ZE1-000	PACKING, HEAD COVER	1	
008	15721-ZH8-000	TUBE, BREATHER	1	
009	90013-883-000	BOLT, FLANGE, 6X12 (CT200)	4	
010	90043-ZE1-020	BOLT, STUD, 6X112	2	
011	90047-ZE1-000	BOLT, STUD, 8X32	2	
012	94301-10160	DOWEL PIN, 10X16	2	
Ref	Partnumber	Description	GX160K1	Serial Numbers
014	95701-0806000	BOLT, FLANGE, 8X60	4	1349665
014	95723-0806000	BOLT, FLANGE, 8X60	4	1349664
015	98079-56841	PLUG, SPARK (BP6ES) (NGK)	1	
015	98079-56854	PLUG, SPARK (W20EP-U) (DENSO)	1	

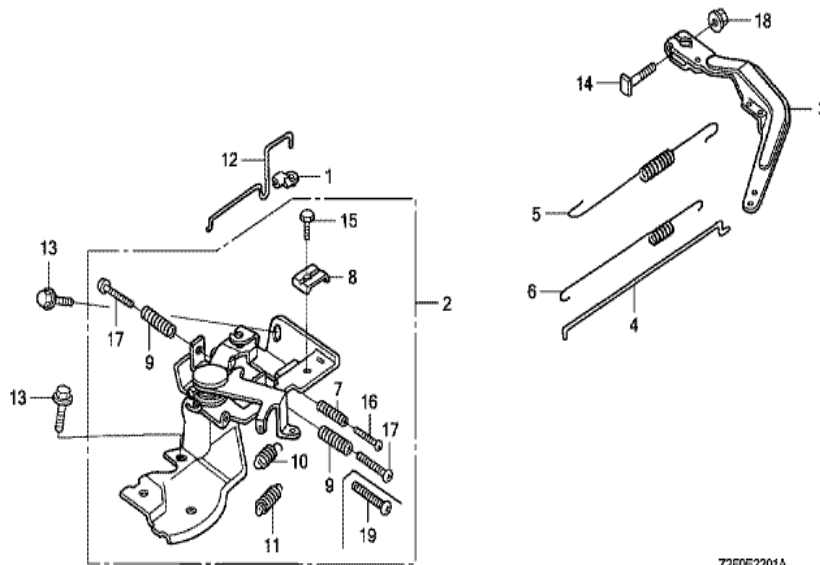


Ref	Partnumber	Description	GX160K1	Serial Numbers
001	30500-ZE1-043	COIL ASSY., IGNITION	1	1049706
001	30500-ZE1-053	COIL ASSY., IGNITION	1	1049707 1067684
001	30500-ZE1-063	COIL ASSY., IGNITION	1	1067685 1346318
001	30500-ZE1-073	COIL ASSY., IGNITION	1	1346319
002	30600-ZE1-013	TERMINAL ASSY., HIGH TENSION (NICHIWA Y-	1	
006	31511-ZE1-000	CLAMPER, CORD	1	
007	31512-ZE1-000	GROMMET, CORD	1	
009	31630-ZF1-801	COIL ASSY., CHARGE (2.8A)	1	
012	36101-ZE1-010	CORD, STOP SWITCH (370MM)	1	
013	90015-883-000	BOLT, FLANGE, 6X28 (CT200)	4	
014	90019-883-000	BOLT, FLANGE, 5X10	1	
015	90121-952-000	BOLT, FLANGE, 6X25 (CT200)	2	



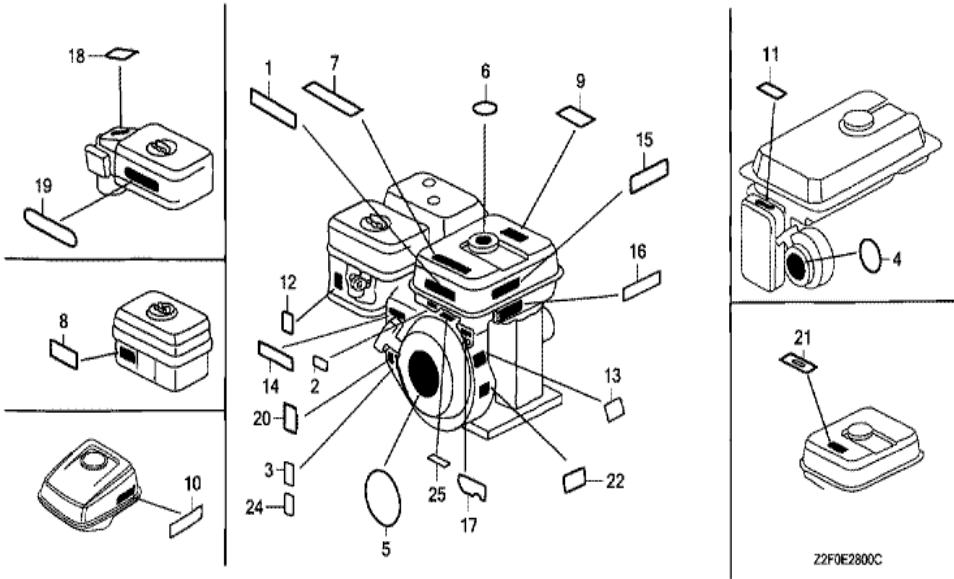
Ref	Partnumber	Description	GX160K1	Serial Numbers
001	31204-ZE1-721	SWITCH ASSY., STARTER MAGNETIC	1	
002	31206-KN7-670	O-RING	1	
003	31210-ZE1-723	MOTOR UNIT, STARTER (SM-11205) (181MM)	1	
004	31212-ZE1-003	COVER COMP., GEAR	1	
005	31214-ZE1-003	PINION ASSY.	1	
006	31215-ZE1-003	SHAFT UNIT, GEAR	1	
007	31216-ZE1-731	YOKE ASSY.	1	
008	31217-ZE1-722	ROTOR ASSY.	1	
009	31220-ZE1-722	MOTOR ONLY	1	
010	31221-ZE1-003	PIECE A, STOPPER	1	
011	31222-ZE1-003	PIECE B, STOPPER	1	
012	31223-ZE1-003	SPRING, RETURN	1	
013	31224-ZE1-003	COVER, SPRING	1	

<u>Ref</u>	<u>Partnumber</u>	<u>Description</u>	<u>GX160K1</u>	<u>Serial Numbers</u>
014	31230-ZE1-003	GEAR ASSY.	1	
015	31235-ZE1-013	BRACKET COMP., FR.	1	
016	32410-ZE1-000	CORD, MAGNET SWITCH	1	1386986
016	32410-ZE1-010	CORD, MAGNET SWITCH	1	1386987
017	32411-ZE1-000	COVER, MAGNETIC SWITCH	1	
018	32411-253-000	COVER, STARTER MOTOR TERMINAL	1	
019	90010-ZE1-003	SCREW-WASHER, 5X8	1	
020	90012-ZE1-721	BOLT, SETTING	2	
021	90017-883-000	BOLT, FLANGE, 6X32 (CT200)	1	
022	90071-MB0-000	NUT-WASHER, 6MM	2	
023	90115-GB4-700	SCREW-WASHER, 5X30	1	
025	90502-187-701	WASHER, PINION	1	
026	90603-ZE1-003	CIRCLIP, 10.2MM	1	
027	90631-ZE1-720	HOLDER, HARNESS	1	
028	91301-ZE1-003	O-RING	2	
029	91402-ZE6-003	WASHER, SPECIAL	2	
030	91403-ZE6-003	WASHER, SPRING	2	
031	93892-0501408	SCREW-WASHER, 5X14	3	
032	93892-0502008	SCREW-WASHER, 5X20	2	
033	94301-08100	DOWEL PIN, 8X10	2	

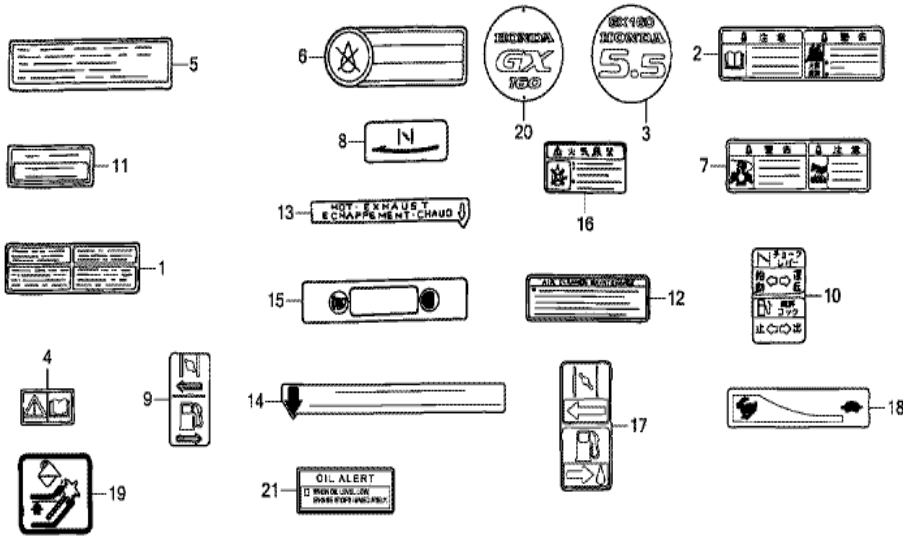


ZZFOE2201A

Ref	Partnumber	Description	GX160K1	Serial Numbers
001	16263-ZA0-000	JOINT, ROD	1	
002	16500-Z2F-V10	CONTROL ASSY.	1	1660965
002	16500-ZF1-H54	CONTROL ASSY.	1	1660964
003	16551-ZE0-010	ARM, GOVERNOR	1	
004	16555-ZE1-000	ROD, GOVERNOR	1	
005	16561-ZE1-710	SPRING, GOVERNOR	1	
006	16562-ZE1-020	SPRING, THROTTLE RETURN	1	
007	16571-892-000	SPRING, CONTROL ADJUSTING	1	
008	16576-891-000	HOLDER, CABLE	1	
009	16584-883-300	SPRING, CONTROL ADJUSTING	2	
010	16592-ZE1-810	SPRING, CABLE RETURN	1	
011	16592-732-700	SPRING, CABLE RETURN	1	
012	16674-ZF1-H50	ROD, CHOKE	1	
Ref	Partnumber	Description	GX160K1	Serial Numbers
013	90013-883-000	BOLT, FLANGE, 6X12 (CT200)	2	
014	90015-ZE5-010	BOLT, GOVERNOR ARM	1	
015	92301-050160A	BOLT, RECESSED, 5X16	1	
016	93500-040200H	SCREW, PAN, 4X20	1	
017	93500-050200H	SCREW, PAN, 5X20	2	1660964
018	94050-06000	NUT, FLANGE, 6MM	1	
019	93500-050250H	SCREW, PAN, 5X25	1	1660965

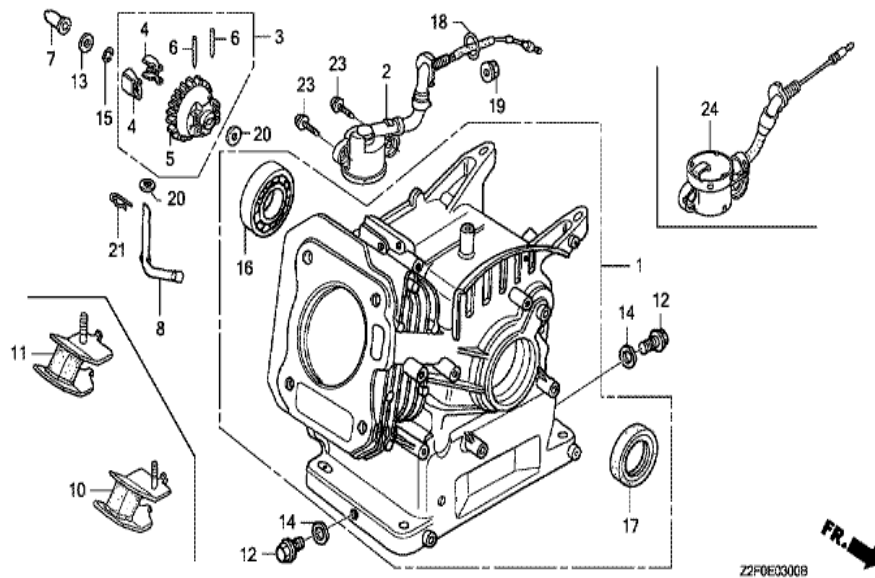


Ref	Partnumber	Description	GX160K1	Serial Numbers
003	87135-ZE2-020	LABEL, E-SPEC (15.5X27.5)	1	1165999
012	87528-ZE1-810	MARK, CHOKE	1	
024	87114-ZH7-000	LABEL, WARNING (NOT CERTIFIED FOR SALE)	1	1055702



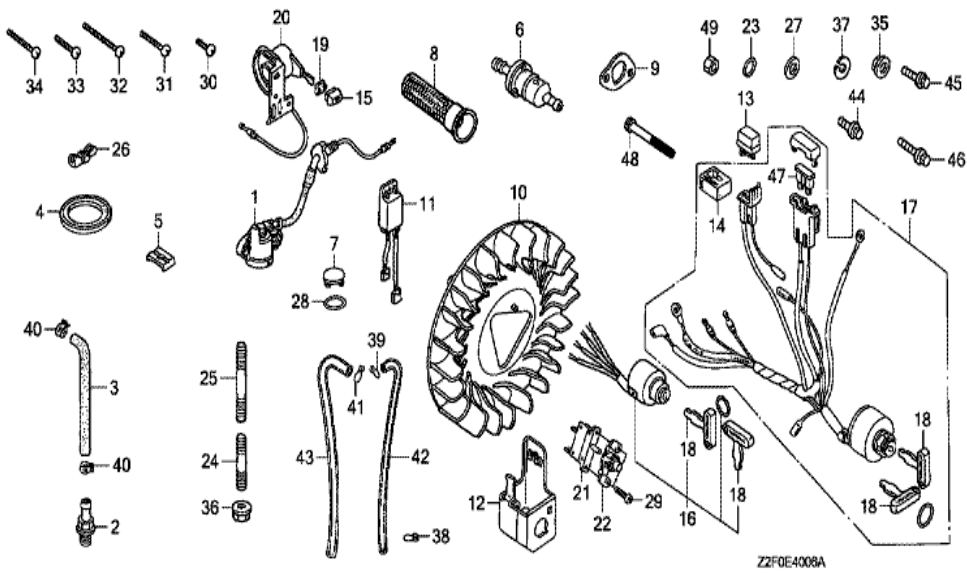
Z2F0E2801D

Ref	Partnumber	Description	GX160K1	Serial Numbers
002	87520-ZH8-000	MARK A, COMBINATION (JAPANESE)	1	
007	87526-ZH8-000	MARK B, COMBINATION (JAPANESE)	1	



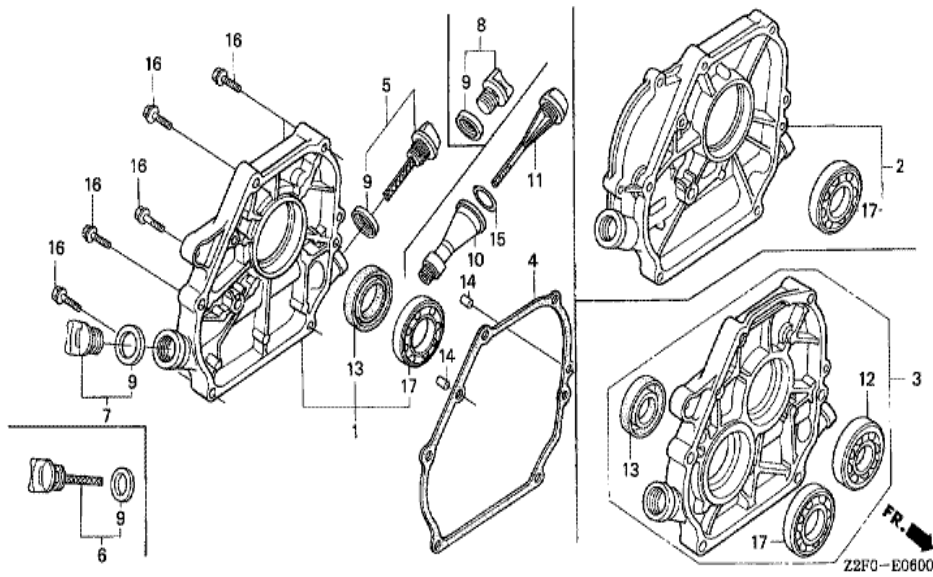
Z2F0E0300B

Ref	Partnumber	Description	GX160K1	Serial Numbers
001	12000-ZH8-426	BARREL ASSY., CYLINDER (OIL ALERT)	1	
002	15510-ZE1-033	SWITCH ASSY., OIL LEVEL	1	1359761
002	15510-ZE1-043	SWITCH ASSY., OIL LEVEL	1	1359762 1513849
003	16510-ZE1-000	GOVERNOR ASSY.	1	
004	16511-ZE1-000	WEIGHT, GOVERNOR	2	
005	16512-ZE1-000	HOLDER, GOVERNOR WEIGHT	1	
006	16513-ZE1-000	PIN, GOVERNOR WEIGHT	2	
007	16531-ZE1-000	SLIDER, GOVERNOR	1	
008	16541-ZE1-000	SHAFT, GOVERNOR ARM	1	
011	68327-898-000	RUBBER, RR. BOTTOM	2	
012	90131-ZE1-000	BOLT, DRAIN PLUG	2	
013	90451-ZE1-000	WASHER, THRUST, 6MM	1	
014	90601-ZE1-000	WASHER, DRAIN PLUG, 10.2MM	2	
Ref	Partnumber	Description	GX160K1	Serial Numbers
015	90602-ZE1-000	CLIP, GOVERNOR HOLDER	1	
016	91001-Z1T-003	BEARING, RADIAL BALL, 6205 (NSK)	1	
016	91001-ZF1-003	BEARING, RADIAL BALL (6205TMB) (NTN)	1	
016	91001-ZF1-004	BEARING, RADIAL BALL (6205SH) (KOYO)	1	
017	91201-Z0T-801	OIL SEAL, 25X41X6 (NOK)	1	
018	91353-671-004	O-RING, 14MM (NOK)	1	
019	94050-10000	NUT, FLANGE, 10MM	1	
020	94101-06800	WASHER, PLAIN, 6MM	2	
021	94251-08000	PIN, LOCK, 8MM	1	
023	95701-0601200	BOLT, FLANGE, 6X12	2	
024	35480-Z0T-003	SWITCH ASSY., OIL LEVEL	1	1513850

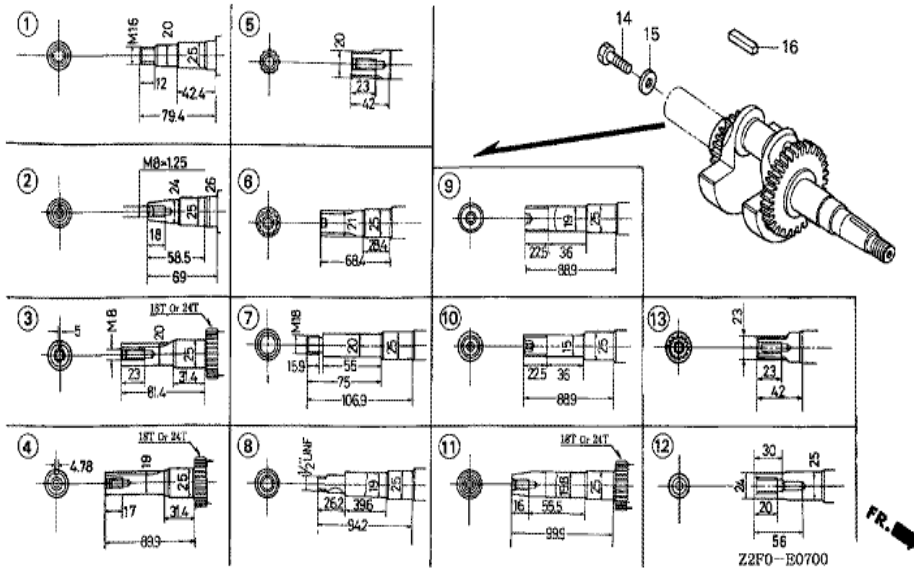


ZZFOE4008A

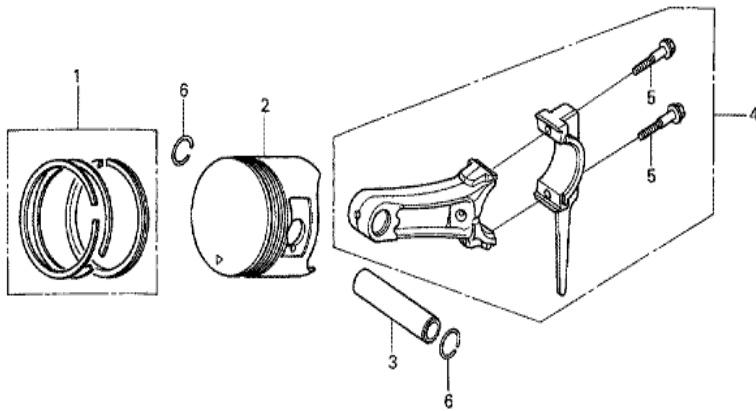
Ref	Partnumber	Description	GX160K1	Serial Numbers
004	16271-ZE1-000	PACKING, ELBOW	1	
009	18381-ZH8-800	GASKET, MUFFLER	2	
011	31600-KE1-010	RECTIFIER COMP., REGULATOR	1	
026	90203-ZA0-800	NUT, WING, 6MM (BLACK)	1	
030	93500-040080H	SCREW, PAN, 4X8	3	
031	93500-040240H	SCREW, PAN, 4X24	1	
032	93500-040430H	SCREW, PAN, 4X43	5	
037	94111-04800	WASHER, SPRING, 4MM	10	



Ref	Partnumber	Description	GX160K1	Serial Numbers
001	11300-ZE1-634	COVER ASSY., CRANKCASE	1	
004	11381-ZH8-801	PACKING, CASE COVER (NON ASBESTOS)	1	
007	15600-ZG4-003	CAP ASSY., OIL FILLER	1	
009	15625-ZE1-003	PACKING, OIL FILLER CAP	1	
010	15640-730-010	PIPE, OIL FILLER	1	
011	15650-730-000	GAUGE, OIL LEVEL	1	
013	91201-Z0T-801	OIL SEAL, 25X41X6 (NOK)	1	
014	94301-08140	DOWEL PIN, 8X14	2	
015	94608-50000	O-RING, 23X2.8	1	
016	95701-0803200	BOLT, FLANGE, 8X32	6	
017	96100-6205000	BEARING, RADIAL BALL, 6205	1	



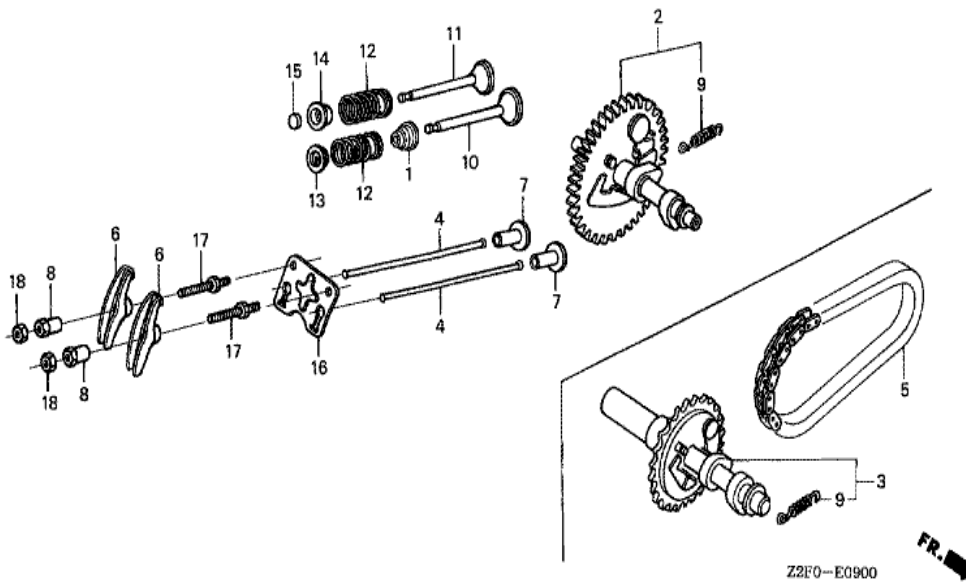
Ref	Partnumber	Description	GX160K1	Serial Numbers
003	13310-ZE1-000	CRANKSHAFT COMP. (24T)	1	
016	90741-883-810	KEY, 5X5X33 (YELLOW)	1	



Z2F0-E0800



<u>Ref</u>	<u>Partnumber</u>	<u>Description</u>	<u>GX160K1</u>	<u>Serial Numbers</u>
001	13010-Z4K-004	RING SET, PISTON (STD.) (TPR)	1	1314913
001	13010-ZL0-003	RING SET, PISTON (STD.) (TEIKOKU)	1	1314912
001	13010-ZL0-004	RING SET, PISTON (STD.) (NIPPON)	1	1314912
001	13011-Z4K-004	RING SET, PISTON (0.25) (TPR)	(1)	1314913
001	13011-ZL0-003	RING SET, PISTON (0.25) (TEIKOKU)	(1)	1314912
001	13011-ZL0-004	RING SET, PISTON (0.25) (NIPPON)	(1)	1314912
001	13012-Z4K-004	RING SET, PISTON (0.50) (TPR)	(1)	1314913
001	13012-ZL0-003	RING SET, PISTON (0.50) (TEIKOKU)	(1)	1314912
001	13012-ZL0-004	RING SET, PISTON (0.50) (NIPPON)	(1)	1314912
001	13013-Z4K-004	RING SET, PISTON (0.75) (TPR)	(1)	1314913
001	13013-ZL0-003	RING SET, PISTON (0.75) (TEIKOKU)	(1)	1314912
001	13013-ZL0-004	RING SET, PISTON (0.75) (NIPPON)	(1)	1314912
002	13101-ZH8-010	PISTON (STD.)	1	1314912
<u>Ref</u>	<u>Partnumber</u>	<u>Description</u>	<u>GX160K1</u>	<u>Serial Numbers</u>
002	13101-ZH8-020	PISTON (STD.)	1	1314913
002	13102-ZH8-010	PISTON (0.25)	(1)	1314912
002	13102-ZH8-020	PISTON (0.25)	(1)	1314913
002	13103-ZH8-010	PISTON (0.50)	(1)	1314912
002	13103-ZH8-020	PISTON (0.50)	(1)	1314913
002	13104-ZH8-010	PISTON (0.75)	(1)	1314912
002	13104-ZH8-020	PISTON (0.75)	(1)	1314913
003	13111-ZE1-000	PIN, PISTON	1	
004	13200-ZE1-010	ROD ASSY., CONNECTING (STD.)	1	1596553
004	13200-ZE1-020	ROD ASSY., CONNECTING (STD.)	1	1596554
005	90001-ZE1-000	BOLT, CONNECTING ROD	2	
006	90551-ZE1-000	CLIP, PISTON PIN, 18MM	2	



Z2F0-E0900



Ref	Partnumber	Description	GX160K1	Serial Numbers
001	12209-ZH8-003	SEAL, VALVE STEM	1	
002	14100-ZH8-800	CAMSHAFT ASSY.	1	
004	14410-ZE1-010	ROD, PUSH	2	
006	14431-ZE1-000	ARM, VALVE ROCKER	2	
007	14441-ZE1-010	LIFTER, VALVE	2	
008	14451-ZE1-013	PIVOT, ROCKER ARM	2	
009	14568-ZE1-000	SPRING, WEIGHT RETURN	1	
010	14711-ZF1-000	VALVE, IN.	1	
011	14721-ZF1-000	VALVE, EX.	1	
012	14751-ZF1-000	SPRING, VALVE	2	
013	14771-ZE1-000	RETAINER, IN. VALVE SPRING	1	
014	14773-ZE1-000	RETAINER, EX. VALVE SPRING	1	
015	14781-ZE1-000	ROTATOR, VALVE	1	
Ref	Partnumber	Description	GX160K1	Serial Numbers
016	14791-ZE1-010	PLATE, PUSH ROD GUIDE	1	
017	90012-ZE0-010	BOLT, PIVOT, 8MM	2	
018	90206-ZE1-000	NUT, PIVOT ADJUSTING	2	