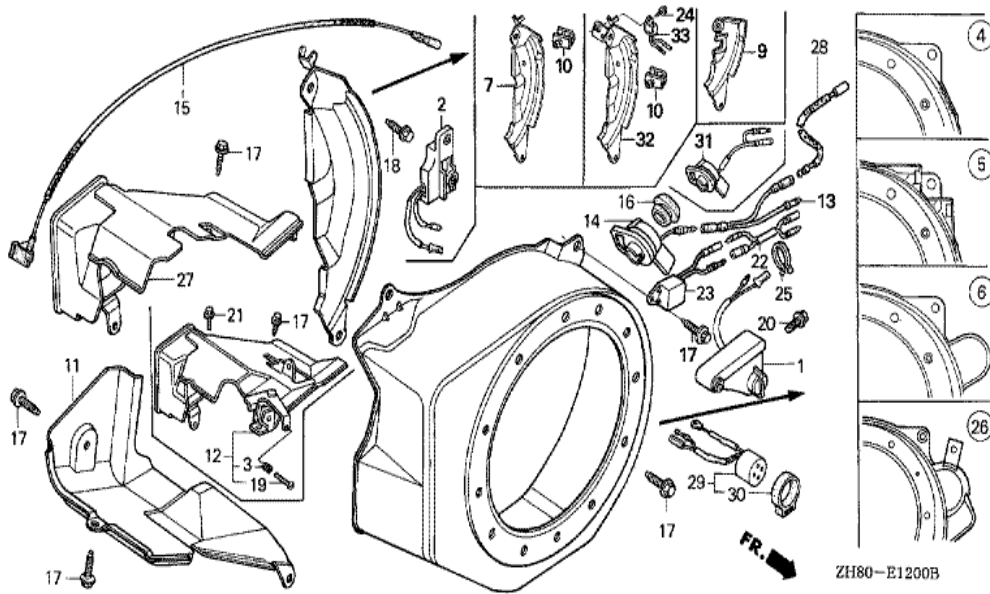




ZH80-E1100



| Ref | Partnumber      | Description                      | GX160K1 | Serial Numbers |
|-----|-----------------|----------------------------------|---------|----------------|
| 002 | 28410-ZH8-003ZA | CASE COMP., RECOIL STARTER *R8 * | 1       | 8367072        |
| 003 | 28420-ZH8-013   | REEL, RECOIL STARTER (NATURAL)   | (1)     |                |
| 004 | 28422-ZH8-013   | RATCHET, STARTER                 | (2)     |                |
| 005 | 28433-ZH8-003   | GUIDE, RATCHET                   | (1)     |                |
| 006 | 28441-ZH8-003   | SPRING, FRICTION                 | (1)     |                |
| 007 | 28442-ZH8-003   | SPRING, RECOIL STARTER           | (1)     |                |
| 008 | 28443-ZH8-003   | SPRING, RETURN                   | (2)     |                |
| 009 | 28461-ZH8-003   | GRIP, STARTER                    | (1)     |                |
| 010 | 28462-ZH8-003   | ROPE, RECOIL STARTER             | (1)     |                |
| 012 | 90003-ZH8-003   | SCREW, SETTING                   | (1)     |                |
| 013 | 90008-ZE2-003   | BOLT, FLANGE, 6X10               | (3)     |                |



ZH80-E1200B

| Ref | Partnumber      | Description                | GX160K1 | Serial Numbers |
|-----|-----------------|----------------------------|---------|----------------|
| 004 | 19610-ZE1-000ZA | COVER COMP., FAN *R8 *     | 1       | 8369925        |
| 007 | 19612-ZH8-000   | PLATE, SIDE (STD.)         | (1)     |                |
| 011 | 19630-ZH8-000   | SHROUD COMP.               | 1       |                |
| 014 | 36100-ZH8-W41   | SWITCH ASSY., ENGINE STOP  | 1       | 4368640        |
| 015 | 36101-ZE1-010   | CORD, STOP SWITCH (370MM)  | (1)     |                |
| 017 | 90013-883-000   | BOLT, FLANGE, 6X12 (CT200) | 4       |                |
| 018 | 90022-888-010   | BOLT, FLANGE, 6X20 (CT200) | (1)     |                |

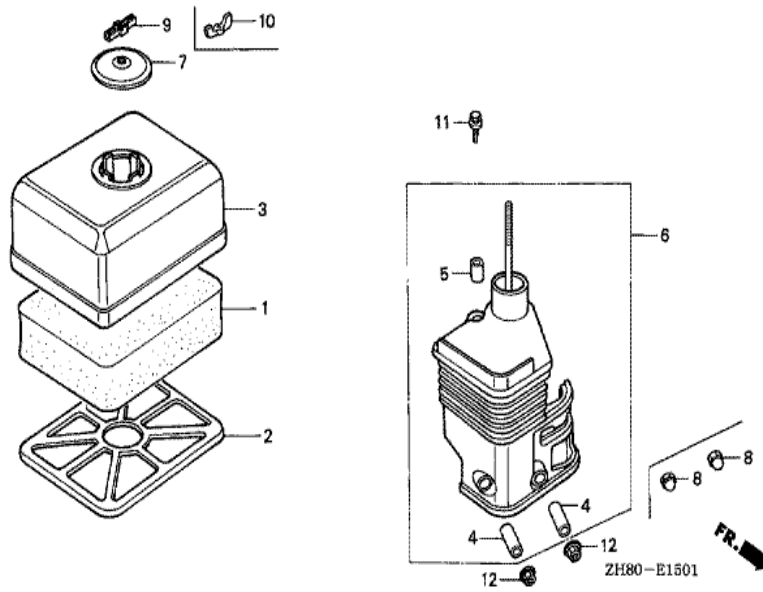


ZH80E1402B

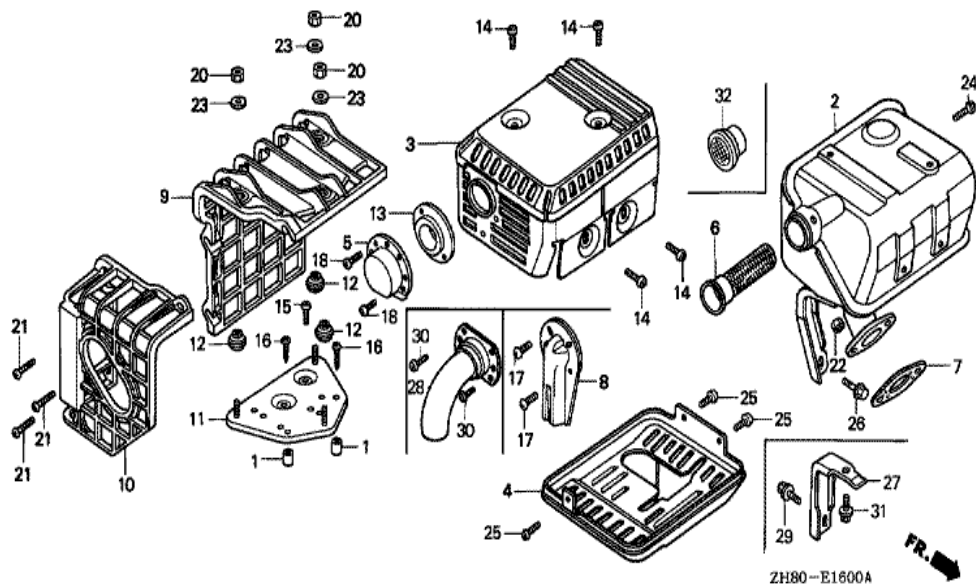
FR. →

| Ref | Partnumber    | Description                | GX160K1 | Serial Numbers  |
|-----|---------------|----------------------------|---------|-----------------|
| 002 | 16010-ZE1-812 | GASKET SET                 | (1)     |                 |
| 003 | 16011-ZE0-005 | VALVE SET, FLOAT           | (1)     |                 |
| 004 | 16013-ZE0-005 | FLOAT SET                  | (1)     |                 |
| 005 | 16015-ZE0-831 | CHAMBER SET, FLOAT         | 1       | BE65B B         |
| 006 | 16016-ZE0-005 | SCREW SET, PILOT           | 1       | BE06J C         |
| 007 | 16016-ZH7-W01 | SCREW SET, PILOT           | 1       | BE65C B         |
| 008 | 16024-ZE1-811 | SCREW SET, DRAIN           | (1)     |                 |
| 009 | 16028-ZE0-005 | SCREW SET                  | (1)     |                 |
| 010 | 16044-ZE0-005 | CHOKE SET                  | 1       | BE06J B         |
| 011 | 16100-ZH8-822 | CARBURETOR ASSY. (BE06J C) | 1       | 4012552 6276049 |
| 011 | 16100-ZH8-W61 | CARBURETOR ASSY. (BE65C B) | 1       | 6276050         |
| 012 | 16124-ZE0-005 | SCREW, THROTTLE STOP       | (1)     |                 |
| 013 | 16166-ZH8-W50 | NOZZLE, MAIN               | 1       | BE06J B         |

| <u>Ref</u> | <u>Partnumber</u> | <u>Description</u>         | <u>GX160K1</u> | <u>Serial Numbers</u> |
|------------|-------------------|----------------------------|----------------|-----------------------|
| 013        | 16166-ZH8-W60     | NOZZLE, MAIN               | 1              | BE65C B               |
| 014        | 16173-001-004     | PACKING, FUEL STRAINER CUP | (1)            |                       |
| 015        | 16211-ZE1-000     | INSULATOR, CARBURETOR      | 1              |                       |
| 016        | 16212-ZH8-800     | PACKING, INSULATOR         | 1              | 2630824               |
| 017        | 16220-ZE1-020     | SPACER COMP., CARBURETOR   | 1              |                       |
| 018        | 16221-ZH8-801     | PACKING, CARBURETOR        | 1              | 3427589               |
| 021        | 16610-ZE1-000     | LEVER COMP., CHOKE (STD.)  | (1)            |                       |
| 026        | 16953-ZE1-812     | LEVER, COCK                | 1              | BE06J C               |
| 027        | 16954-ZE1-812     | PLATE, LEVER SETTING       | 1              | BE65B B               |
| 028        | 16956-ZE1-811     | SPRING, COCK LEVER         | (1)            |                       |
| 029        | 16957-ZE1-812     | PACKING, FUEL COCK         | (1)            |                       |
| 030        | 16967-ZE0-811     | CUP, FUEL STRAINER         | (1)            |                       |
| 032        | 93500-030061H     | SCREW, PAN, 3X6            | 2              | BE65B B               |
| 035        | 94305-20122       | PIN, SPRING, 2X12          | (1)            |                       |
| 036        | 99101-ZH80650     | JET, MAIN, #65             | (1)            | BE06J C               |
| 036        | 99101-ZH80680     | JET, MAIN, #68             | (1)            | BE06J C               |
| 036        | 99101-ZH80700     | JET, MAIN, #70             | 1              | BE65B B               |
| 037        | 99204-ZE00350     | JET SET, PILOT, #35        | 1              | BE06J B               |

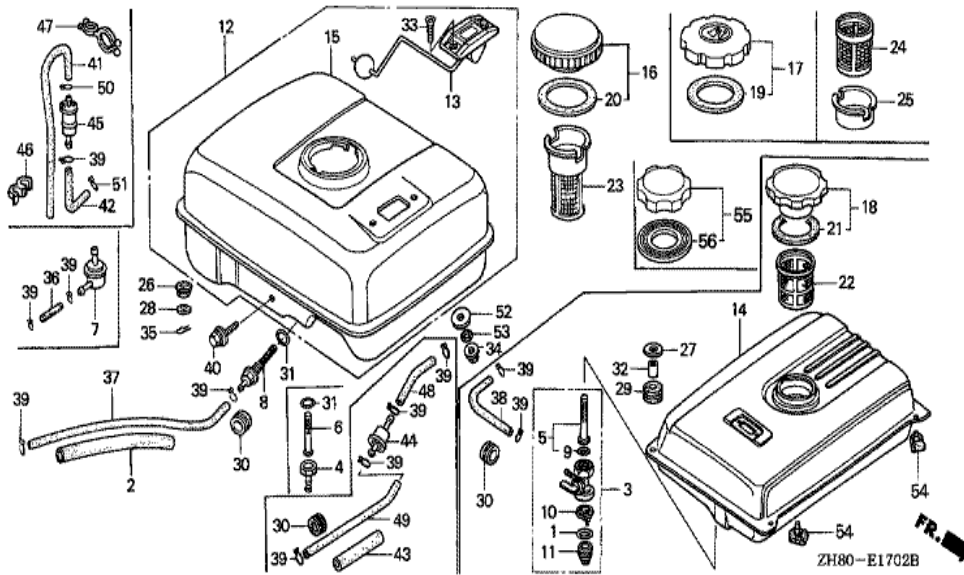


| Ref | Partnumber    | Description                     | GX160K1 | Serial Numbers |
|-----|---------------|---------------------------------|---------|----------------|
| 001 | 17211-ZE1-000 | ELEMENT, AIR CLEANER (SEMI DRY) | (1)     |                |
| 002 | 17212-ZE1-000 | GRID, AIR CLEANER (SEMI DRY)    | (1)     |                |
| 003 | 17231-ZE1-000 | COVER, AIR CLEANER (SEMI DRY)   | (1)     |                |
| 004 | 17238-ZE7-010 | COLLAR, AIR CLEANER             | (2)     |                |
| 005 | 17239-ZE1-000 | COLLAR B, AIR CLEANER           | (1)     |                |
| 006 | 17410-ZE1-020 | ELBOW COMP., AIR CLEANER        | (1)     |                |
| 007 | 17421-ZE1-000 | CAP, CLEANER                    | (1)     |                |
| 010 | 90325-044-000 | NUT, TOOL BOX SETTING           | 1       | 2836834        |
| 011 | 95701-0602000 | BOLT, FLANGE, 6X20              | 1       |                |
| 012 | 94050-06000   | NUT, FLANGE, 6MM                | 2       | 2708122        |

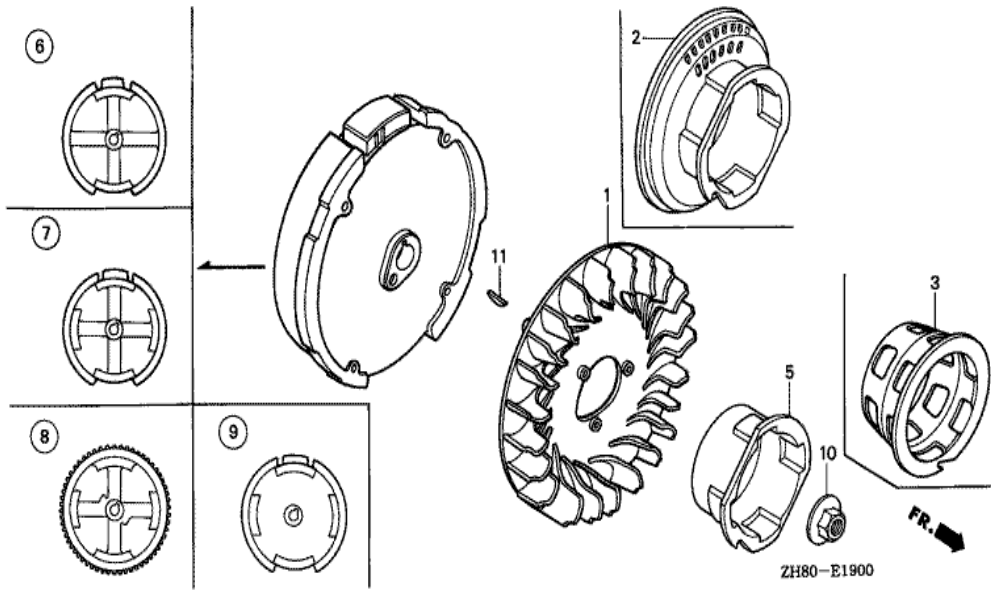


ZH80-E1600A

| Ref | Partnumber    | Description                       | GX160K1 | Serial Numbers |
|-----|---------------|-----------------------------------|---------|----------------|
| 002 | 18310-ZF1-000 | MUFFLER COMP. (STD.)              | (1)     |                |
| 003 | 18320-ZF1-H01 | PROTECTOR, MUFFLER (STD.) (BLACK) | 1       | 3244960        |
| 004 | 18325-ZE1-010 | PROTECTOR, LOWER                  | (1)     |                |
| 007 | 18381-ZH8-800 | GASKET, MUFFLER                   | (1)     |                |
| 014 | 90050-ZE1-000 | SCREW, TAPPING, 5X8               | (4)     |                |
| 022 | 94001-080000S | NUT, HEX., 8MM                    | 2       |                |
| 025 | 90055-ZE1-000 | SCREW, TAPPING, 4X6               | (3)     |                |

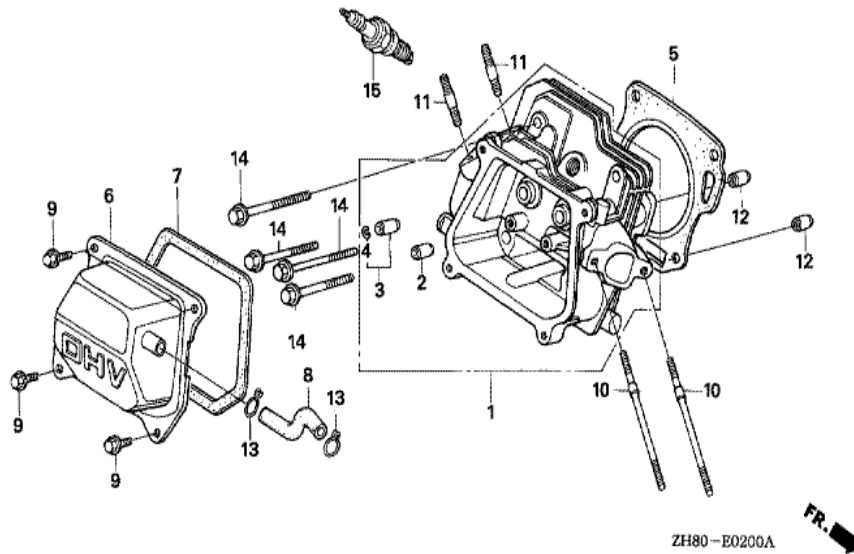


| Ref | Partnumber      | Description                           | GX160K1 | Serial Numbers  |
|-----|-----------------|---------------------------------------|---------|-----------------|
| 002 | 16854-ZH8-000   | RUBBER, SUPPORTER (107MM)             | (1)     |                 |
| 008 | 16955-ZE1-000   | JOINT, FUEL TANK                      | (1)     |                 |
| 015 | 17510-ZE1-020ZA | TANK COMP., FUEL *NH31 *              | (1)     |                 |
| 017 | 17620-ZH7-023   | CAP COMP., FUEL FILLER (BLACK)        | 1       | 4705773 8542059 |
| 019 | 17631-ZH7-003   | PACKING, FUEL FILLER CAP (39X58X3)    | 1       | 3063878 8542059 |
| 023 | 17672-ZE2-W01   | FILTER, FUEL                          | 1       | 2827377         |
| 031 | 91353-671-004   | O-RING, 14MM (NOK)                    | (1)     |                 |
| 034 | 94050-06000     | NUT, FLANGE, 6MM                      | (2)     |                 |
| 037 | 95001-4514040   | TUBE, FUEL, 4.5X140 (95001-45001-60M) | (1)     |                 |
| 039 | 95002-02080     | CLIP, TUBE (B8)                       | (2)     |                 |
| 040 | 95701-0602500   | BOLT, FLANGE, 6X25                    | 1       |                 |

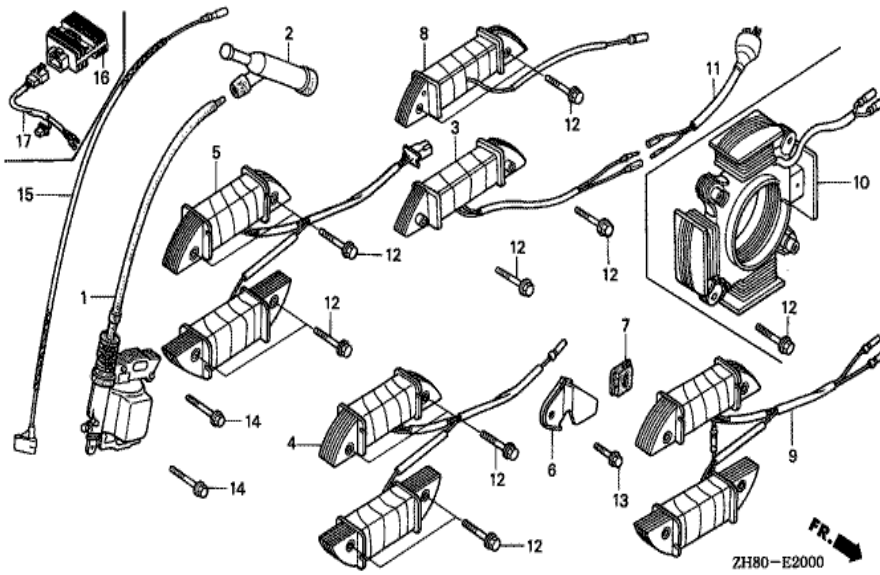


| Ref | Partnumber    | Description                  | GX160K1 | Serial Numbers |
|-----|---------------|------------------------------|---------|----------------|
| 001 | 19511-ZE1-000 | FAN, COOLING                 | 1       |                |
| 002 | 28450-ZH8-811 | PULLEY COMP., STARTER        | (1)     |                |
| 006 | 31100-ZE1-010 | FLYWHEEL COMP.               | (1)     |                |
| 010 | 90201-878-003 | NUT, SPECIAL, 14MM           | 1       |                |
| 011 | 13331-357-000 | KEY, SPECIAL WOODRUFF, 25X18 | 1       |                |

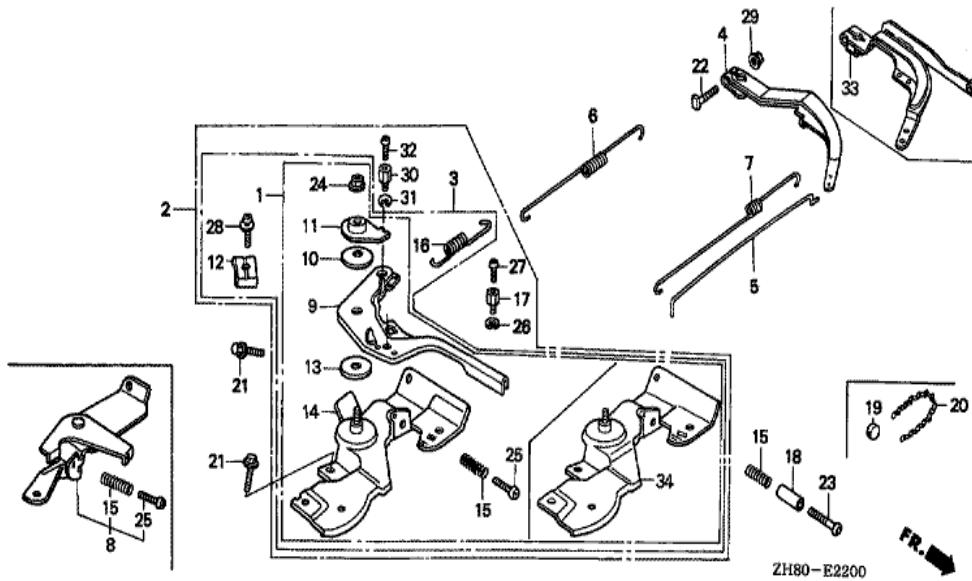




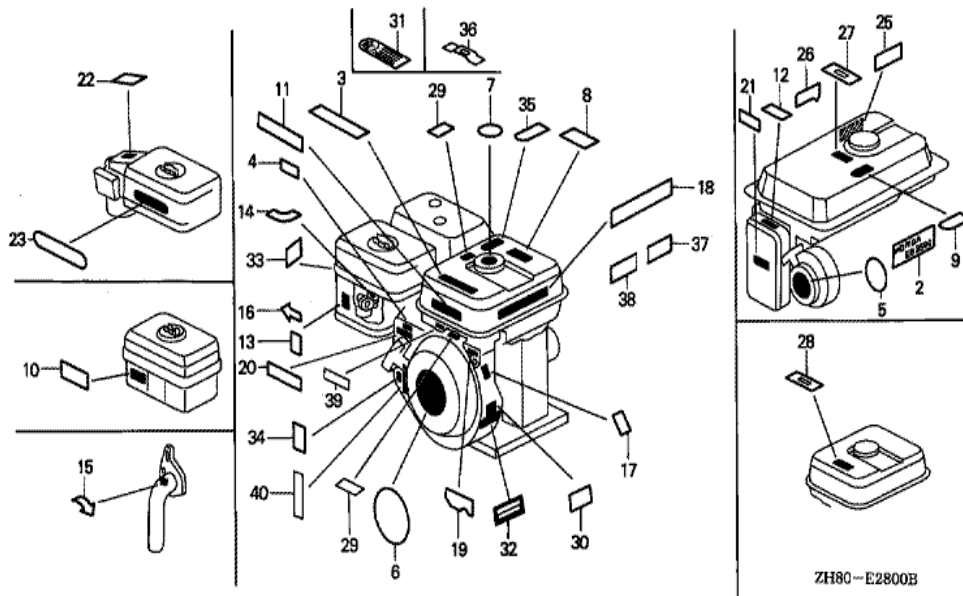
| Ref | Partnumber    | Description                    | GX160K1 | Serial Numbers |
|-----|---------------|--------------------------------|---------|----------------|
| 001 | 12210-ZH8-020 | HEAD COMP., CYLINDER           | 1       |                |
| 002 | 12204-ZE1-306 | GUIDE, IN. VALVE (OS)          | (1)     |                |
| 003 | 12205-ZE1-315 | GUIDE, EX. VALVE (OS)          | (1)     |                |
| 004 | 12216-ZE5-300 | CLIP, VALVE GUIDE              | 1       |                |
| 005 | 12251-ZF1-800 | GASKET, CYLINDER HEAD          | (1)     |                |
| 006 | 12310-ZE1-010 | COVER COMP., HEAD              | 1       | 7638542        |
| 006 | 12310-ZE1-020 | COVER COMP., HEAD              | 1       | 7638543        |
| 007 | 12391-ZE1-000 | PACKING, HEAD COVER            | 1       |                |
| 008 | 15721-ZH8-000 | TUBE, BREATHER                 | (1)     |                |
| 009 | 90013-883-000 | BOLT, FLANGE, 6X12 (CT200)     | 4       | 2708337        |
| 010 | 90043-ZE1-020 | BOLT, STUD, 6X112              | 2       |                |
| 011 | 90047-ZE1-000 | BOLT, STUD, 8X32               | 2       |                |
| 012 | 94301-10160   | DOWEL PIN, 10X16               | 2       |                |
| Ref | Partnumber    | Description                    | GX160K1 | Serial Numbers |
| 014 | 95723-0806000 | BOLT, FLANGE, 8X60             | 4       |                |
| 015 | 98079-56846   | PLUG, SPARK (BPR6ES) (NGK)     | 1       | 6276050        |
| 015 | 98079-56855   | PLUG, SPARK (W20EPR-U) (DENSO) | 1       | 6276050        |



| Ref | Partnumber    | Description                               | GX160K1 | Serial Numbers |
|-----|---------------|---|---------|----------------|
| 001 | 30500-ZE1-033 | COIL ASSY., IGNITION                      | 1       | 8074561        |
| 001 | 30500-ZE1-043 | COIL ASSY., IGNITION                      | 1       | 8074562        |
| 002 | 30700-ZE1-013 | CAP ASSY., NOISE SUPPRESSOR (NICHIIWA Y-E | 1       | 6276050        |
| 014 | 90121-952-000 | BOLT, FLANGE, 6X25 (CT200)                | 2       |                |

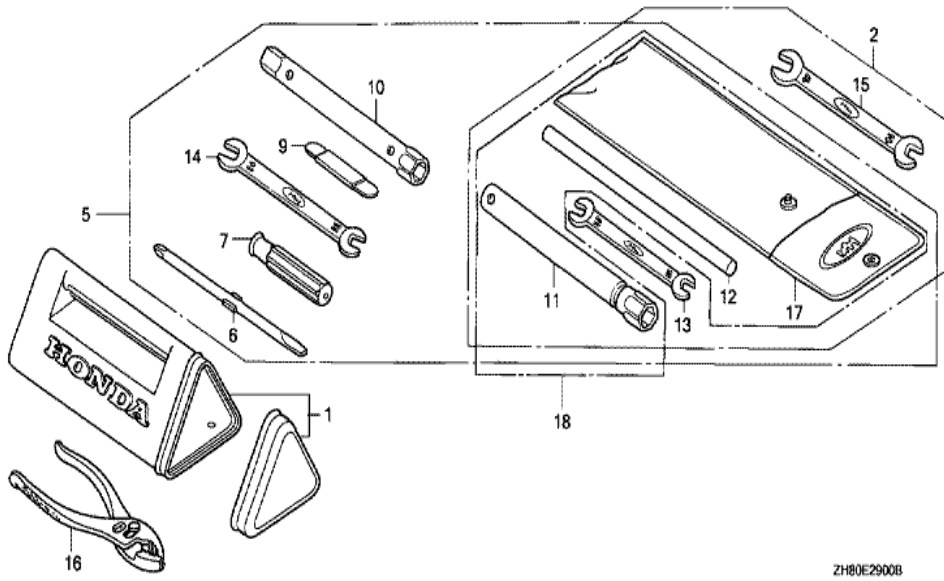


| Ref | Partnumber    | Description                     | GX160K1 | Serial Numbers  |
|-----|---------------|---------------------------------|---------|-----------------|
| 002 | 16500-ZH8-812 | CONTROL ASSY. (REMOTE/INTERNAL) | 1       | 5444480 6196199 |
| 002 | 16500-ZH8-813 | CONTROL ASSY. (REMOTE/INTERNAL) | 1       | 6196200         |
| 004 | 16551-ZE0-010 | ARM, GOVERNOR                   | 1       | 4913229         |
| 005 | 16555-ZE1-000 | ROD, GOVERNOR                   | 1       |                 |
| 006 | 16561-ZE1-020 | SPRING, GOVERNOR                | 1       |                 |
| 007 | 16562-ZE1-020 | SPRING, THROTTLE RETURN         | 1       |                 |
| 009 | 16571-ZH8-010 | LEVER, CONTROL                  | 1       | 5551818 6331304 |
| 009 | 16571-ZH8-020 | LEVER, CONTROL                  | 1       | 6331305         |
| 010 | 16574-ZE1-000 | SPRING, LEVER                   | (1)     |                 |
| 011 | 16575-ZH8-000 | WASHER, CONTROL LEVER           | (1)     |                 |
| 012 | 16576-891-000 | HOLDER, CABLE                   | (1)     |                 |
| 013 | 16578-ZE1-000 | SPACER, CONTROL LEVER           | (1)     |                 |
| 015 | 16584-883-300 | SPRING, CONTROL ADJUSTING       | (1)     |                 |
| Ref | Partnumber    | Description                     | GX160K1 | Serial Numbers  |
| 016 | 16592-ZE1-810 | SPRING, CABLE RETURN            | (1)     |                 |
| 017 | 16594-883-010 | HOLDER, WIRE                    | (1)     |                 |
| 021 | 90013-883-000 | BOLT, FLANGE, 6X12 (CT200)      | 2       |                 |
| 022 | 90015-ZE5-010 | BOLT, GOVERNOR ARM              | 1       |                 |
| 024 | 90114-SA0-000 | NUT, SELF-LOCK, 6MM             | (1)     |                 |
| 025 | 93500-050250H | SCREW, PAN, 5X25                | (1)     |                 |
| 026 | 90605-230-000 | CIRCLIP, 5MM                    | (1)     |                 |
| 027 | 93500-040060H | SCREW, PAN, 4X6                 | (1)     |                 |
| 028 | 93500-050160A | SCREW, PAN, 5X16                | 1       | 2740508         |
| 029 | 94050-06000   | NUT, FLANGE, 6MM                | 1       |                 |
| 034 | 16580-ZH8-812 | BASE COMP., CONTROL (REMOTE)    | 1       | 5551818 6331304 |
| 034 | 16580-ZH8-813 | BASE COMP., CONTROL (REMOTE)    | 1       | 6331305         |



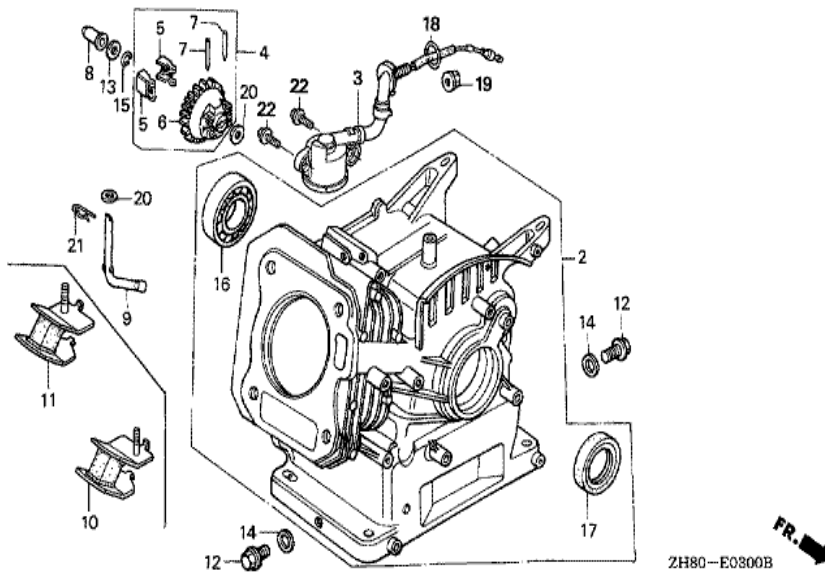
ZH80-E2800B

| Ref | Partnumber    | Description                | GX160K1 | Serial Numbers  |
|-----|---------------|----------------------------|---------|-----------------|
| 006 | 87521-ZH8-010 | EMBLEM (5.5)               | 1       | 2468253 7438467 |
| 006 | 87521-ZH8-020 | EMBLEM (GX160 5.5)         | 1       | 7438468 8367036 |
| 006 | 87521-ZH8-030 | EMBLEM (GX160 5.5)         | 1       | 8367037         |
| 008 | 87522-ZH8-W40 | MARK, CAUTION (PICTOGRAPH) | 1       | 8953905         |
| 013 | 87528-733-E90 | MARK, CHOKE (H=36)         | 1       |                 |

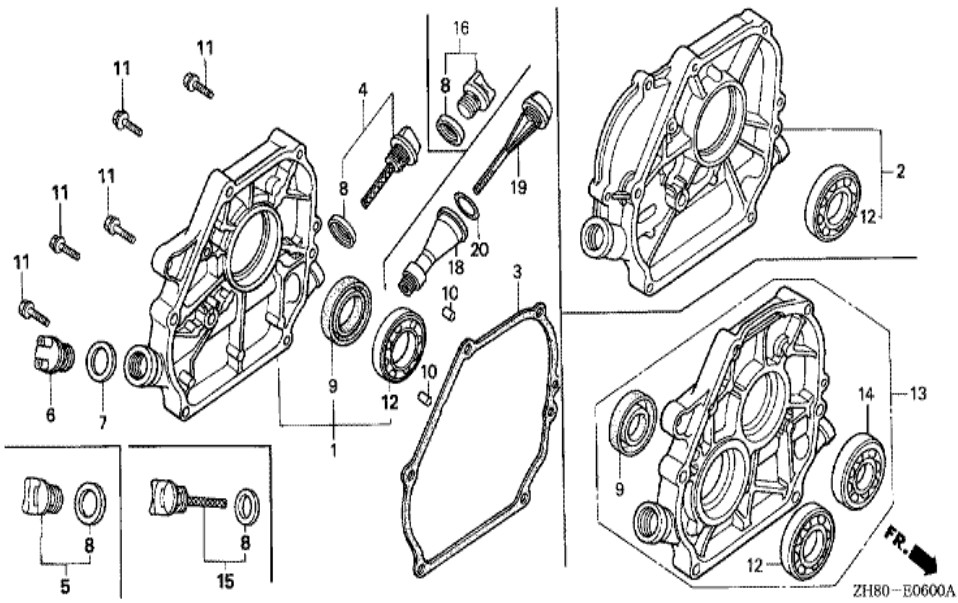


ZH80E2900B

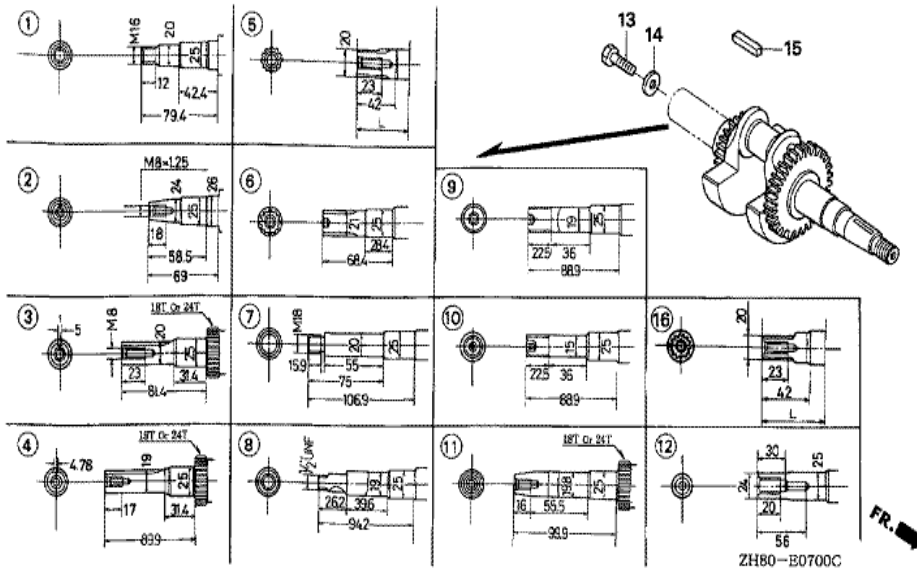
| <u>Ref</u> | <u>Partnumber</u> | <u>Description</u>       | <u>GX160K1</u> | <u>Serial Numbers</u> |
|------------|-------------------|--------------------------|----------------|-----------------------|
| 011        | 89218-ZE1-000     | WRENCH COMP., SPARK PLUG | (1)            |                       |



| Ref | Partnumber    | Description                          | GX160K1 | Serial Numbers |
|-----|---------------|--------------------------------------|---------|----------------|
| 002 | 12000-ZH8-405 | BARREL ASSY., CYLINDER               | 1       | 4193708        |
| 004 | 16510-ZE1-000 | GOVERNOR ASSY.                       | 1       | 4913229        |
| 005 | 16511-ZE1-000 | WEIGHT, GOVERNOR                     | 2       | 4913229        |
| 006 | 16512-ZE1-000 | HOLDER, GOVERNOR WEIGHT              | 1       | 4913229        |
| 007 | 16513-ZE1-000 | PIN, GOVERNOR WEIGHT                 | 2       | 4913229        |
| 008 | 16531-ZE1-000 | SLIDER, GOVERNOR                     | 1       |                |
| 009 | 16541-ZE1-000 | SHAFT, GOVERNOR ARM                  | 1       |                |
| 012 | 90131-ZE1-000 | BOLT, DRAIN PLUG                     | 2       |                |
| 013 | 90451-ZE1-000 | WASHER, THRUST, 6MM                  | 1       |                |
| 014 | 90601-ZE1-000 | WASHER, DRAIN PLUG, 10.2MM           | 2       |                |
| 015 | 90602-ZE1-000 | CLIP, GOVERNOR HOLDER                | 1       |                |
| 016 | 91001-ZF1-003 | BEARING, RADIAL BALL (6205TMB) (NTN) | 1       |                |
| 016 | 91001-ZF1-004 | BEARING, RADIAL BALL (6205SH) (KOYO) | 1       |                |
| Ref | Partnumber    | Description                          | GX160K1 | Serial Numbers |
| 017 | 91202-883-005 | OIL SEAL, 25X41X6                    | 1       | 8565637        |
| 020 | 94101-06800   | WASHER, PLAIN, 6MM                   | 2       |                |
| 021 | 94251-08000   | PIN, LOCK, 8MM                       | 1       |                |

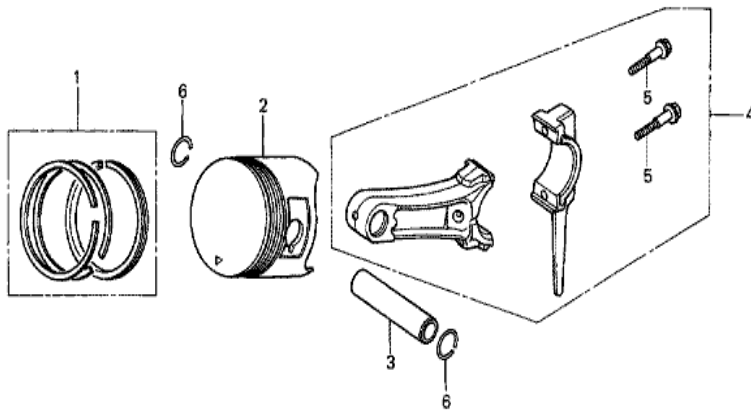


| Ref | Partnumber    | Description                        | GX160K1 | Serial Numbers |
|-----|---------------|------------------------------------|---------|----------------|
| 001 | 11300-ZE1-633 | COVER ASSY., CRANKCASE             | 1       | 8565637        |
| 003 | 11381-ZH8-801 | PACKING, CASE COVER (NON ASBESTOS) | 1       | 3413170        |
| 004 | 15600-ZE1-003 | CAP ASSY., OIL FILLER (GRAY)       | 1       | 2966710        |
| 005 | 15600-ZG4-003 | CAP ASSY., OIL FILLER              | 1       | 2966710        |
| 008 | 15625-ZE1-003 | PACKING, OIL FILLER CAP            | 2       | 2966710        |
| 009 | 91202-883-005 | OIL SEAL, 25X41X6                  | 1       | 8571217        |
| 010 | 94301-08140   | DOWEL PIN, 8X14                    | 2       |                |
| 011 | 95701-0803200 | BOLT, FLANGE, 8X32                 | 6       |                |
| 012 | 96100-6205000 | BEARING, RADIAL BALL, 6205         | 1       |                |



| Ref | Partnumber    | Description            | GX160K1 | Serial Numbers |
|-----|---------------|------------------------|---------|----------------|
| 003 | 13310-ZE1-000 | CRANKSHAFT COMP. (24T) | 1       |                |
| 013 | 92101-080250A | BOLT, HEX., 8X25       | 1       |                |
| 014 | 90473-842-000 | WASHER, 8MM            | (1)     |                |
| 015 | 90741-883-810 | KEY, 5X5X33 (YELLOW)   | (1)     |                |

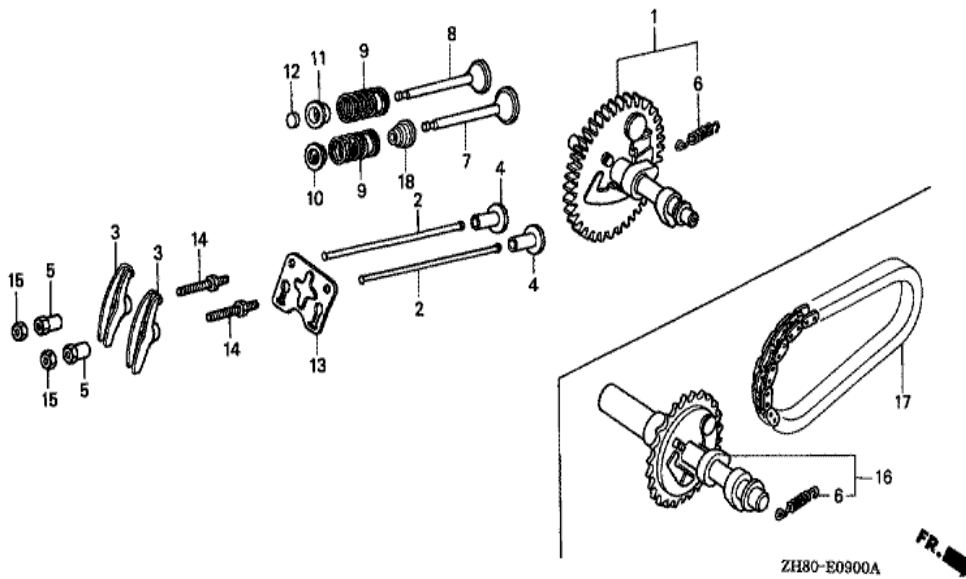




ZH80-E0800



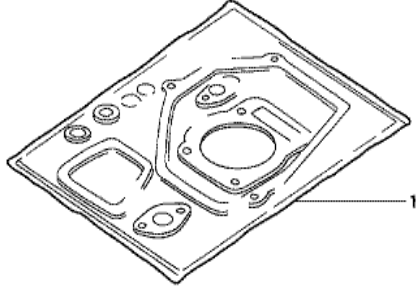
| Ref | Partnumber    | Description                             | GX160K1 | Serial Numbers  |
|-----|---------------|---|---------|-----------------|
| 001 | 13010-ZH8-941 | RING SET, PISTON (STD.) (TEIKOKU)       | 1       | 5495900 7603338 |
| 001 | 13010-ZH8-942 | RING SET, PISTON (STD.) (NIPPON)        | 1       | 5495900 7603338 |
| 001 | 13010-ZL0-003 | RING SET, PISTON (STD.) (TEIKOKU)       | 1       | 7603339         |
| 001 | 13010-ZL0-004 | RING SET, PISTON (STD.) (NIPPON)        | 1       | 7603339         |
| 001 | 13011-ZH8-941 | RING SET, PISTON (0.25) (TEIKOKU)       | (1)     | 5495900 7603338 |
| 001 | 13011-ZH8-942 | RING SET, PISTON (0.25) (NIPPON)        | (1)     | 5495900 7603338 |
| 001 | 13011-ZL0-003 | RING SET, PISTON (0.25) (TEIKOKU)       | (1)     | 7603339         |
| 001 | 13011-ZL0-004 | RING SET, PISTON (0.25) (NIPPON)        | (1)     | 7603339         |
| 001 | 13012-ZH8-941 | RING SET, PISTON (0.50) (TEIKOKU)       | (1)     | 5495900 7603338 |
| 001 | 13012-ZH8-942 | RING SET, PISTON (0.50) (NIPPON)        | (1)     | 5495900 7603338 |
| 001 | 13012-ZL0-003 | RING SET, PISTON (0.50) (TEIKOKU)       | (1)     | 7603339         |
| 001 | 13012-ZL0-004 | RING SET, PISTON (0.50) (NIPPON)        | (1)     | 7603339         |
| 001 | 13013-ZH8-941 | RING SET, PISTON (0.75) (TEIKOKU)       | (1)     | 5495900 7603338 |
| Ref | Partnumber    | Description                             | GX160K1 | Serial Numbers  |
| 001 | 13013-ZH8-942 | RING SET, PISTON (0.75) (NIPPON)        | (1)     | 5495900 7603338 |
| 001 | 13013-ZL0-003 | RING SET, PISTON (0.75) (TEIKOKU)       | (1)     | 7603339         |
| 001 | 13013-ZL0-004 | RING SET, PISTON (0.75) (NIPPON)        | (1)     | 7603339         |
| 002 | 13101-ZH8-000 | PISTON (STD.)                           | 1       | 7603338         |
| 002 | 13101-ZH8-010 | PISTON (STD.)                           | 1       | 7603339         |
| 002 | 13102-ZH8-000 | PISTON (0.25)                           | (1)     | 7603338         |
| 002 | 13102-ZH8-010 | PISTON (0.25)                           | (1)     | 7603339         |
| 002 | 13103-ZH8-000 | PISTON (0.50)                           | (1)     | 7603338         |
| 002 | 13103-ZH8-010 | PISTON (0.50)                           | (1)     | 7603339         |
| 002 | 13104-ZH8-000 | PISTON (0.75)                           | (1)     | 7603338         |
| 002 | 13104-ZH8-010 | PISTON (0.75)                           | (1)     | 7603339         |
| 003 | 13111-ZE1-000 | PIN, PISTON                             | 1       |                 |
| 004 | 13200-ZE1-010 | ROD ASSY., CONNECTING (STD.)            | 1       |                 |
| 004 | 132A0-ZE1-000 | ROD ASSY., CONNECTING (0.25 UNDER SIZE) | (1)     |                 |
| 005 | 90001-ZE1-000 | BOLT, CONNECTING ROD                    | 2       |                 |
| 006 | 90551-ZE1-000 | CLIP, PISTON PIN, 18MM                  | 2       |                 |



| Ref | Partnumber    | Description                | GX160K1 | Serial Numbers |
|-----|---------------|----------------------------|---------|----------------|
| 001 | 14100-ZE1-812 | CAMSHAFT ASSY.             | 1       | 4913229        |
| 002 | 14410-ZE1-010 | ROD, PUSH                  | 2       |                |
| 003 | 14431-ZE1-000 | ARM, VALVE ROCKER          | 2       |                |
| 004 | 14441-ZE1-010 | LIFTER, VALVE              | 2       |                |
| 005 | 14451-ZE1-013 | PIVOT, ROCKER ARM          | 2       |                |
| 006 | 14568-ZE1-000 | SPRING, WEIGHT RETURN      | 1       |                |
| 007 | 14711-ZF1-000 | VALVE, IN.                 | 1       |                |
| 008 | 14721-ZF1-000 | VALVE, EX.                 | 1       |                |
| 009 | 14751-ZF1-000 | SPRING, VALVE              | 2       |                |
| 010 | 14771-ZE1-000 | RETAINER, IN. VALVE SPRING | 1       |                |
| 011 | 14773-ZE1-000 | RETAINER, EX. VALVE SPRING | 1       |                |
| 012 | 14781-ZE1-000 | ROTATOR, VALVE             | 1       |                |
| 013 | 14791-ZE1-010 | PLATE, PUSH ROD GUIDE      | 1       |                |
| Ref | Partnumber    | Description                | GX160K1 | Serial Numbers |
| 014 | 90012-ZE0-010 | BOLT, PIVOT, 8MM           | 2       |                |
| 015 | 90206-ZE1-000 | NUT, PIVOT ADJUSTING       | 2       |                |
| 018 | 12209-ZH8-003 | SEAL, VALVE STEM           | 1       | 7664037        |

GX160K1(SHR4)

EOP-1 GASKET KIT



HENG-X0003

| <u>Ref</u> | <u>Partnumber</u> | <u>Description</u> | <u>GX160K1</u> | <u>Serial Numbers</u> |
|------------|-------------------|--------------------|----------------|-----------------------|
| 001        | 061A1-ZH8-020     | GASKET KIT         | 1              | 3413169               |