

Ref	Partnumber	Description	GX160K1	Serial Numbers
002	28410-ZH8-003ZA	CASE COMP., RECOIL STARTER *R8 *	1	8367072
003	28420-ZH8-013	REEL, RECOIL STARTER (NATURAL)	(1)	
004	28422-ZH8-013	RATCHET, STARTER	(2)	
005	28433-ZH8-003	GUIDE, RATCHET	(1)	
006	28441-ZH8-003	SPRING, FRICTION	(1)	
007	28442-ZH8-003	SPRING, RECOIL STARTER	(1)	
008	28443-ZH8-003	SPRING, RETURN	(2)	
009	28461-ZH8-003	GRIP, STARTER	(1)	
010	28462-ZH8-003	ROPE, RECOIL STARTER	(1)	
012	90003-ZH8-003	SCREW, SETTING	(1)	
013	95701-0600800	BOLT, FLANGE, 6X8	(3)	



ZH80-E1200B

Ref	Partnumber	Description	GX160K1	Serial Numbers
004	19610-ZE1-000ZA	COVER COMP., FAN *R8 *	1	8369925
007	19612-ZH8-810	PLATE, SIDE (OIL ALERT)	1	4795905
007	19612-ZH8-811	PLATE, SIDE (OIL ALERT)	1	4795906 5066322
010	19613-ZE1-000	CLAMPER, CORD	1	4368640
010	90601-ZH7-013	CLIP, HARNESS	1	4368641
011	19630-ZH8-000	SHROUD COMP.	1	
013	32197-ZH8-003	SUB HARNESS	1	2468253
014	36100-ZE1-015	SWITCH ASSY., ENGINE STOP	1	2468253 4368640
014	36100-ZH7-003	SWITCH ASSY., ENGINE STOP	1	4368641
015	36101-ZE1-010	CORD, STOP SWITCH (370MM)	(1)	
017	90013-883-000	BOLT, FLANGE, 6X12 (CT200)	4	
018	90022-888-010	BOLT, FLANGE, 6X20 (CT200)	(1)	

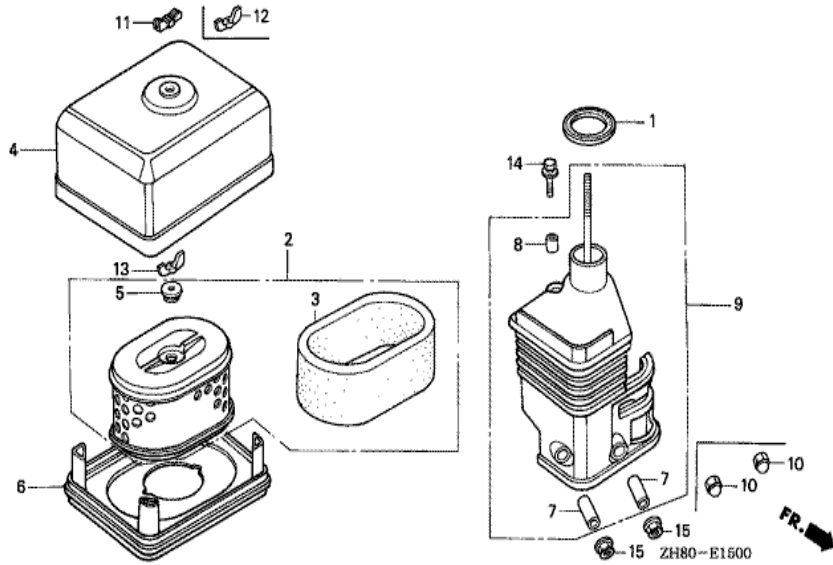


ZH80E1402B



Ref	Partnumber	Description	GX160K1	Serial Numbers
002	16010-ZE1-812	GASKET SET	(1)	
003	16011-ZE0-005	VALVE SET, FLOAT	(1)	
004	16013-ZE0-005	FLOAT SET	(1)	
005	16015-ZE0-831	CHAMBER SET, FLOAT	1	BE65B B
005	16015-ZE1-811	CHAMBER SET, FLOAT	1	BE65B A
006	16016-ZE0-005	SCREW SET, PILOT	1	BE06J C
008	16024-ZE1-811	SCREW SET, DRAIN	(1)	
009	16028-ZE0-005	SCREW SET	(1)	
010	16044-ZE0-005	CHOKE SET	1	BE06J B
011	16100-ZH8-820	CARBURETOR ASSY. (BE06J A)	1	2895090
011	16100-ZH8-821	CARBURETOR ASSY. (BE06J B)	1	2895091
011	16100-ZH8-822	CARBURETOR ASSY. (BE06J C)	1	4012552
012	16124-ZE0-005	SCREW, THROTTLE STOP	(1)	6276049

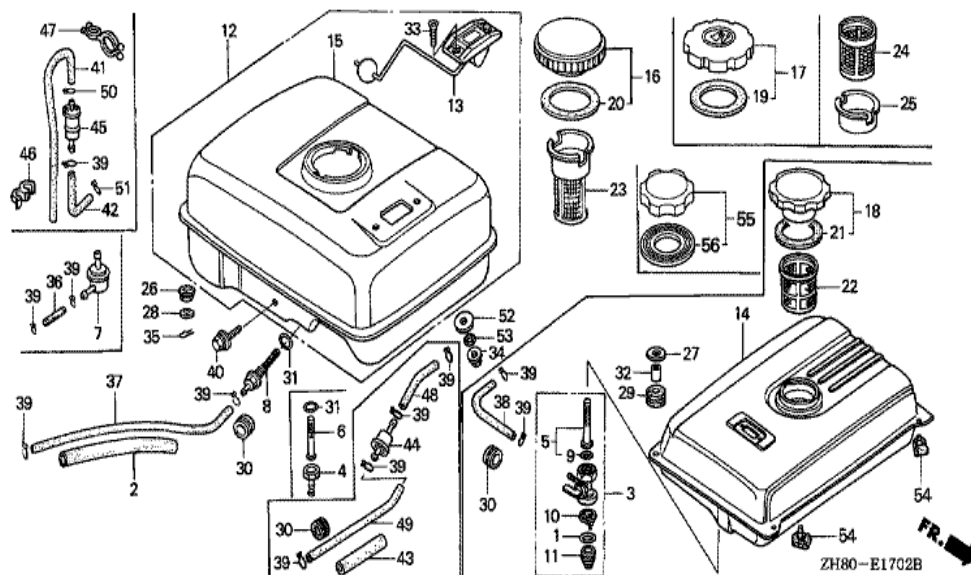
<u>Ref</u>	<u>Partnumber</u>	<u>Description</u>	<u>GX160K1</u>	<u>Serial Numbers</u>
013	16166-ZH8-810	NOZZLE, MAIN	1	BE06J A
013	16166-ZH8-W50	NOZZLE, MAIN	1	BE06J B
014	16173-001-004	PACKING, FUEL STRAINER CUP	(1)	
015	16211-ZE1-000	INSULATOR, CARBURETOR	1	
016	16212-ZH8-800	PACKING, INSULATOR	1	2630824
017	16220-ZE1-020	SPACER COMP., CARBURETOR	1	
018	16221-ZH8-800	PACKING, CARBURETOR	1	3427128
018	16221-ZH8-801	PACKING, CARBURETOR	1	3427589
021	16610-ZE1-000	LEVER COMP., CHOKE (STD.)	(1)	
026	16953-ZE1-811	LEVER, COCK	1	BE06J B
026	16953-ZE1-812	LEVER, COCK	1	BE06J C
027	16954-ZE1-812	PLATE, LEVER SETTING	1	BE65B B
028	16956-ZE1-811	SPRING, COCK LEVER	(1)	
029	16957-ZE1-812	PACKING, FUEL COCK	(1)	
030	16967-ZE0-811	CUP, FUEL STRAINER	(1)	
032	93500-030061H	SCREW, PAN, 3X6	2	BE65B B
032	93500-030081G	SCREW, PAN, 3X8	2	BE65B A
035	94305-20122	PIN, SPRING, 2X12	(1)	
036	99101-ZF50680	JET, MAIN, #68	(1)	BE06J A
036	99101-ZF50700	JET, MAIN, #70	(1)	BE06J A
036	99101-ZF50720	JET, MAIN, #72	1	BE06J A
036	99101-ZH70650	JET, MAIN, #65	(1)	BE06J B
036	99101-ZH70680	JET, MAIN, #68	(1)	BE06J B
036	99101-ZH70700	JET, MAIN, #70	1	BE06J B
036	99101-ZH80650	JET, MAIN, #65	(1)	BE06J C
036	99101-ZH80680	JET, MAIN, #68	(1)	BE06J C
036	99101-ZH80700	JET, MAIN, #70	1	BE65B B
037	99204-ZE00350	JET SET, PILOT, #35	1	BE06J B
037	99204-ZE00380	JET SET, PILOT, #38	1	BE06J A



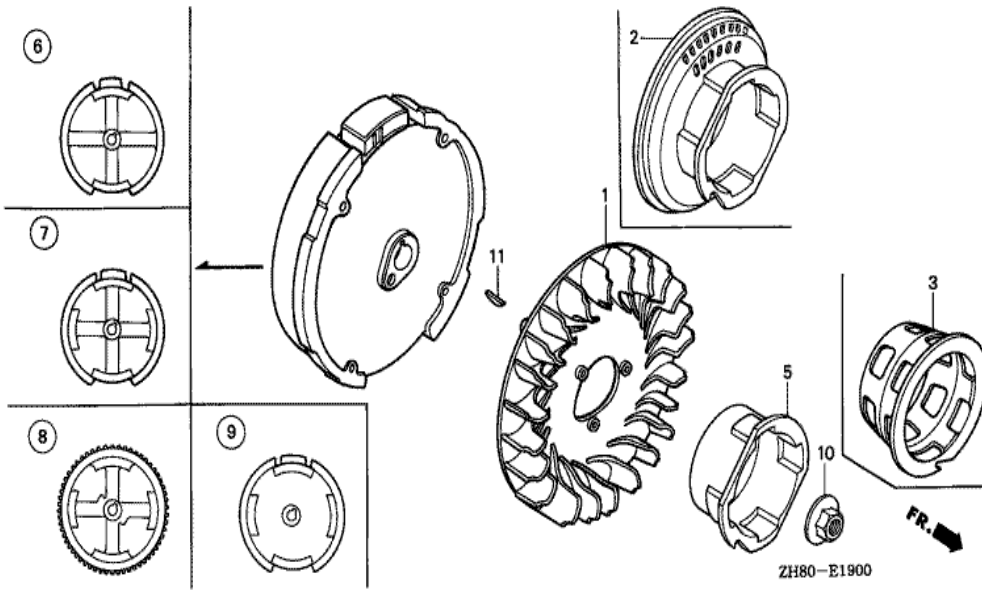
Ref	Partnumber	Description	GX160K1	Serial Numbers
001	16271-ZE1-000	PACKING, ELBOW	(1)	
002	17210-ZE1-822	ELEMENT, AIR CLEANER (DUAL)	(1)	
003	17218-ZE1-821	FILTER, OUTER	(1)	
004	17230-ZE1-820	COVER, AIR CLEANER (DUAL)	(1)	
005	17232-891-000	GROMMET, AIR CLEANER	(1)	
007	17238-ZE7-010	COLLAR, AIR CLEANER	(2)	
008	17239-ZE1-000	COLLAR B, AIR CLEANER	(1)	
009	17410-ZE1-020	ELBOW COMP., AIR CLEANER	(1)	
010	90201-415-000	NUT, CAP, 6MM	2	2708121
011	90203-ZA0-800	NUT, WING, 6MM (BLACK)	1	2468253 2836833
012	90325-044-000	NUT, TOOL BOX SETTING	1	2836834
013	90325-044-000	NUT, TOOL BOX SETTING	(1)	
014	93404-0602008	BOLT-WASHER, 6X20	1	3385101
Ref	Partnumber	Description	GX160K1	Serial Numbers
014	95701-0602000	BOLT, FLANGE, 6X20	1	3385102
015	94050-06000	NUT, FLANGE, 6MM	2	2708122



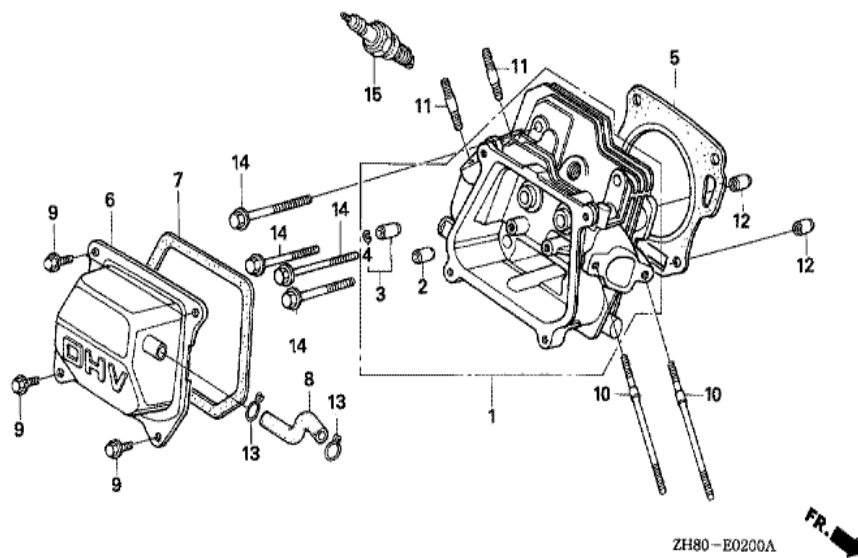
Ref	Partnumber	Description	GX160K1	Serial Numbers
002	18310-ZF1-000	MUFFLER COMP. (STD.)	(1)	
002	18310-ZH8-810	MUFFLER COMP. (ARRESTER)	(1)	
003	18320-ZF1-H00	PROTECTOR, MUFFLER (STD.)	1	2081154 3244959
003	18320-ZF1-H01	PROTECTOR, MUFFLER (STD.) (BLACK)	1	3244960
006	18355-ZE1-000	ARRESTER, SPARK	(1)	
007	18381-ZH8-800	GASKET, MUFFLER	(1)	
014	90050-ZE1-000	SCREW, TAPPING, 5X8	(4)	
022	94001-080000S	NUT, HEX., 8MM	2	
024	90055-ZE1-000	SCREW, TAPPING, 4X6	(1)	



Ref	Partnumber	Description	GX160K1	Serial Numbers
002	16854-ZH8-000	RUBBER, SUPPORTER (107MM)	(1)	
008	16955-ZE1-000	JOINT, FUEL TANK	(1)	
015	17510-ZE1-020ZA	TANK COMP., FUEL *NH31 *	(1)	
016	17620-ZE2-W00	CAP COMP., FUEL FILLER (CHROME PLATED)	1	3063877
017	17620-ZH7-013	CAP COMP., FUEL FILLER	1	3063878 4705772
017	17620-ZH7-023	CAP COMP., FUEL FILLER (BLACK)	1	4705773 8542059
019	17631-ZH7-003	PACKING, FUEL FILLER CAP (39X58X3)	1	3063878 8542059
020	17631-329-003	PACKING, FUEL FILLER CAP (39X58X3)	1	3063877
031	91353-671-004	O-RING, 14MM (NOK)	(1)	
034	94050-06000	NUT, FLANGE, 6MM	(2)	
037	95001-4514040	TUBE, FUEL, 4.5X140 (95001-45001-60M)	(1)	
039	95002-02080	CLIP, TUBE (B8)	(2)	
040	95701-0602500	BOLT, FLANGE, 6X25	1	



Ref	Partnumber	Description	GX160K1	Serial Numbers
001	19511-ZE1-000	FAN, COOLING	1	
005	28451-ZH8-003	PULLEY, STARTER	(1)	
006	31100-ZE1-010	FLYWHEEL COMP.	(1)	
010	90201-878-003	NUT, SPECIAL, 14MM	1	
011	13331-357-000	KEY, SPECIAL WOODRUFF, 25X18	1	



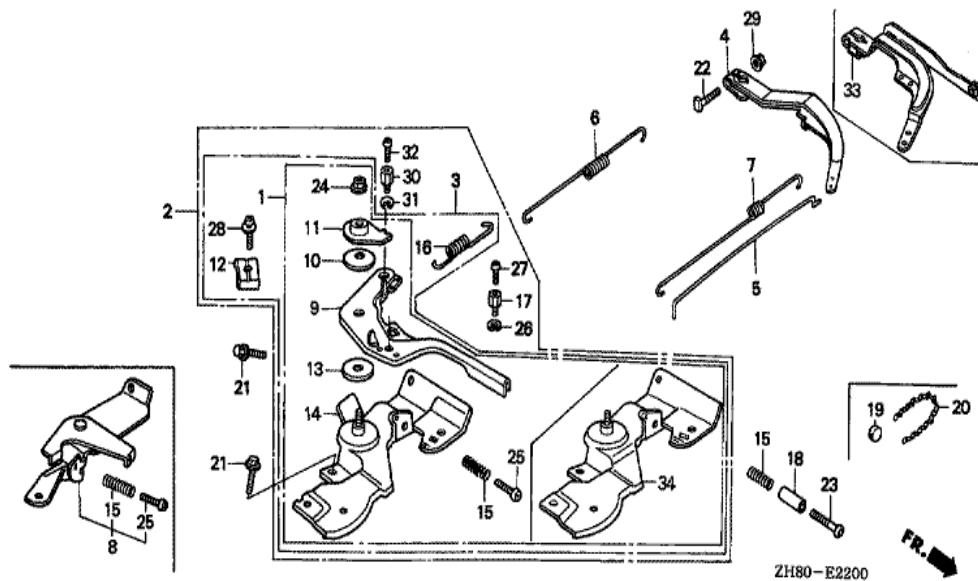
ZH80-E0200A



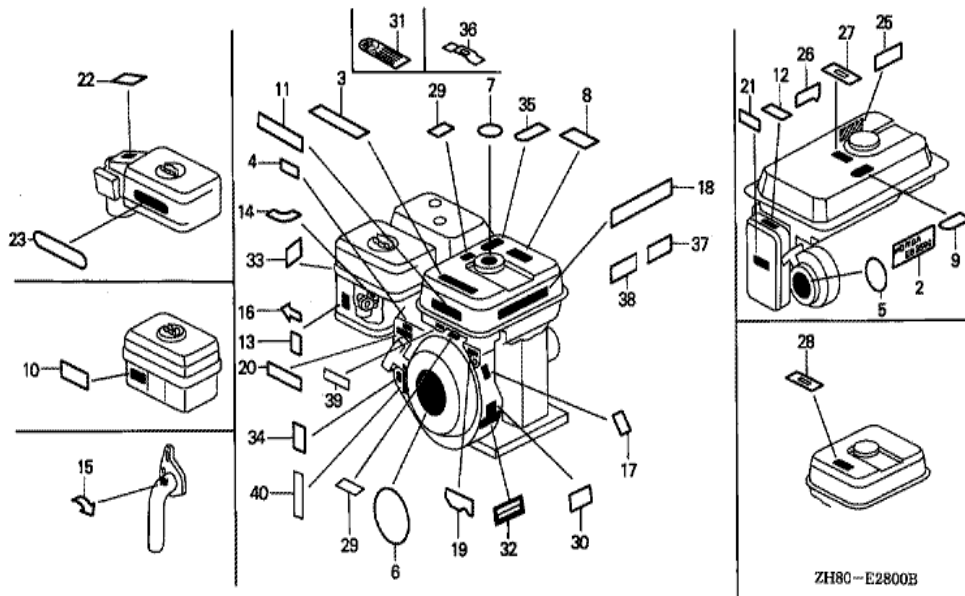
Ref	Partnumber	Description	GX160K1	Serial Numbers
001	12210-ZH8-020	HEAD COMP., CYLINDER	1	
002	12204-ZE1-306	GUIDE, IN. VALVE (OS)	(1)	
003	12205-ZE1-315	GUIDE, EX. VALVE (OS)	(1)	
004	12216-ZE5-300	CLIP, VALVE GUIDE	1	
005	12251-ZF1-800	GASKET, CYLINDER HEAD	(1)	
006	12310-ZE1-010	COVER COMP., HEAD	1	7638542
007	12391-ZE1-000	PACKING, HEAD COVER	1	
008	15721-ZH8-000	TUBE, BREATHER	(1)	
009	90013-883-000	BOLT, FLANGE, 6X12 (CT200)	4	2708337
009	90016-ZE1-000	BOLT, FLANGE, 6X13 (CT200)	4	2708336
010	90043-ZE1-020	BOLT, STUD, 6X112	2	
011	90047-ZE1-000	BOLT, STUD, 8X32	2	
012	94301-10160	DOWEL PIN, 10X16	2	
Ref	Partnumber	Description	GX160K1	Serial Numbers
014	95723-0806000	BOLT, FLANGE, 8X60	4	
015	98079-55846	PLUG, SPARK (BPR5ES) (NGK)	(1)	
015	98079-55855	PLUG, SPARK (W16EPR-U) (DENSO)	(1)	
015	98079-56846	PLUG, SPARK (BPR6ES) (NGK)	1	6276050
015	98079-56855	PLUG, SPARK (W20EPR-U) (DENSO)	1	6276050



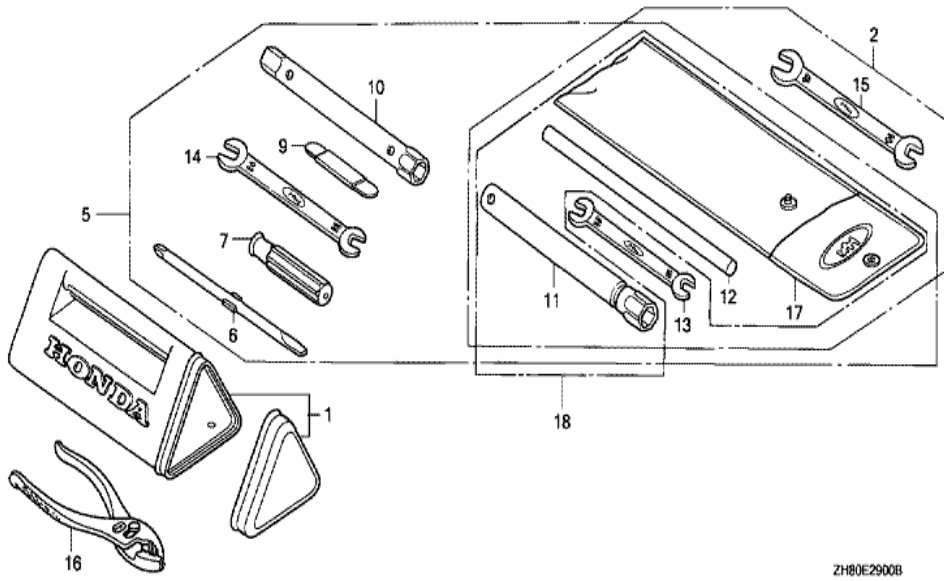
Ref	Partnumber	Description	GX160K1	Serial Numbers
001	30500-ZE1-033	COIL ASSY., IGNITION	1	8074561
002	30700-ZE1-013	CAP ASSY., NOISE SUPPRESSOR (NICHIIWA Y-E	1	6276050
014	90121-952-000	BOLT, FLANGE, 6X25 (CT200)	2	



Ref	Partnumber	Description	GX160K1	Serial Numbers
003	16500-ZH8-820	CONTROL ASSY. (REMOTE)	1	3393321
003	16500-ZH8-821	CONTROL ASSY. (REMOTE)	1	3393322 5551817
004	16551-ZE0-010	ARM, GOVERNOR	1	4913229
005	16555-ZE1-000	ROD, GOVERNOR	1	
006	16561-ZE1-020	SPRING, GOVERNOR	1	
007	16562-ZE1-020	SPRING, THROTTLE RETURN	1	
009	16571-ZH8-000	LEVER, CONTROL	1	5551817
010	16574-ZE1-000	SPRING, LEVER	(1)	
011	16575-ZH8-000	WASHER, CONTROL LEVER	(1)	
012	16576-891-000	HOLDER, CABLE	(1)	
013	16578-ZE1-000	SPACER, CONTROL LEVER	(1)	
014	16580-ZH8-810	BASE COMP., CONTROL (REMOTE)	(1)	3393321
015	16584-883-300	SPRING, CONTROL ADJUSTING	(1)	
Ref	Partnumber	Description	GX160K1	Serial Numbers
016	16592-ZE1-810	SPRING, CABLE RETURN	(1)	
021	90013-883-000	BOLT, FLANGE, 6X12 (CT200)	2	
022	90015-ZE5-010	BOLT, GOVERNOR ARM	1	
024	90114-SA0-000	NUT, SELF-LOCK, 6MM	(1)	
025	93500-050250H	SCREW, PAN, 5X25	(1)	
028	93500-050160A	SCREW, PAN, 5X16	1	2740508
028	93893-0501600	SCREW-WASHER, 5X16	1	2740507
029	94050-06000	NUT, FLANGE, 6MM	1	
034	16580-ZH8-811	BASE COMP., CONTROL (REMOTE)	1	3393322 5551817

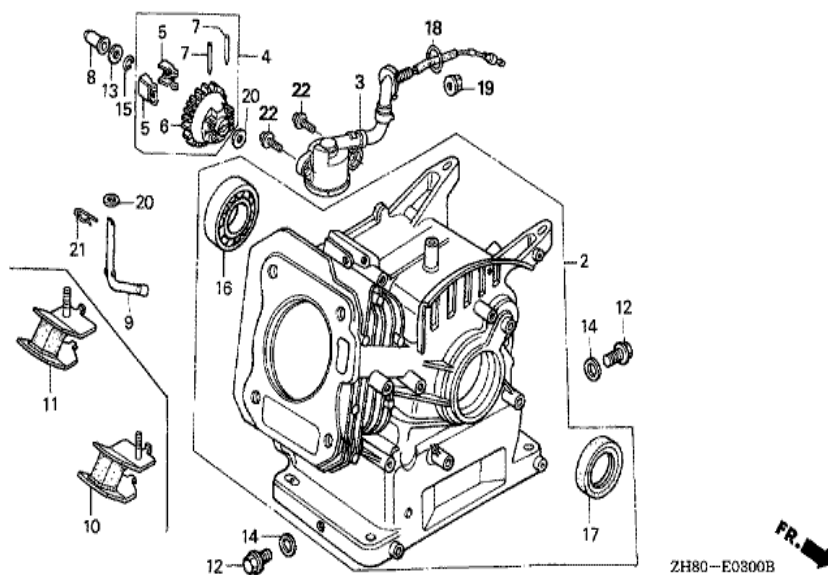


Ref	Partnumber	Description	GX160K1	Serial Numbers
003	87522-ZH9-T00	LABEL, CAUTION	1	
006	87521-ZH8-010	EMBLEM (5.5)	1	2468253 7438467
007	87522-ZE1-810	MARK, CAUTION	1	3063877
013	87528-ZE1-810	MARK, CHOKE	(1)	
017	87530-ZH8-810	LABEL, SPECIFICATION (5.5HP)	(1)	
018	87532-ZB4-G60	MARK, OIL ALERT (GERMAN)	1	2739161
018	87532-ZB4-H50	MARK, OIL ALERT (FRENCH)	1	2739161
018	87532-ZH8-810	MARK, OIL ALERT (ENGLISH)	1	2468253



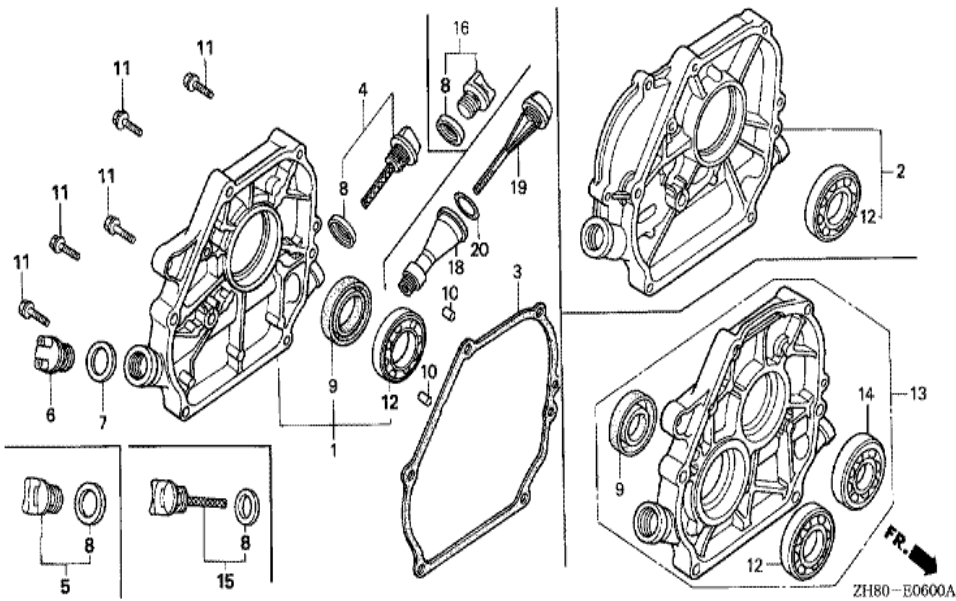
ZH80E2900B

Ref	Partnumber	Description	GX160K1	Serial Numbers
011	89218-ZE1-000	WRENCH COMP., SPARK PLUG	(1)	



ZH80-E0300B

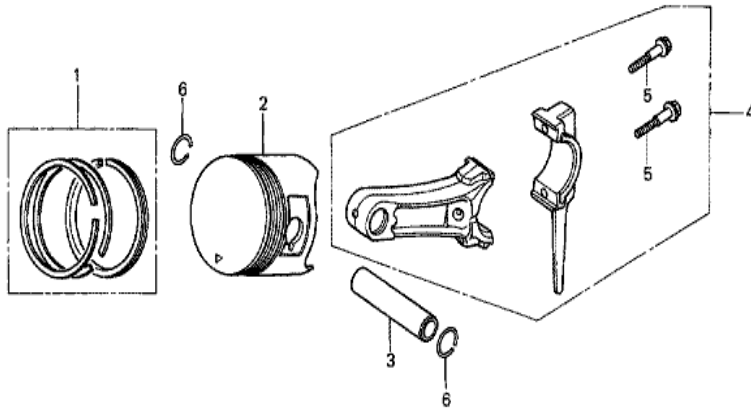
Ref	Partnumber	Description	GX160K1	Serial Numbers
002	12000-ZF1-812	BARREL ASSY., CYLINDER (OIL ALERT)	(1)	4067884
002	12000-ZH8-406	BARREL ASSY., CYLINDER (OIL ALERT)	1	4067885
003	15510-ZE1-033	SWITCH ASSY., OIL LEVEL	(1)	
004	16510-ZE1-000	GOVERNOR ASSY.	1	4913229
005	16511-ZE1-000	WEIGHT, GOVERNOR	2	4913229
006	16512-ZE1-000	HOLDER, GOVERNOR WEIGHT	1	4913229
007	16513-ZE1-000	PIN, GOVERNOR WEIGHT	2	4913229
008	16531-ZE1-000	SLIDER, GOVERNOR	1	
009	16541-ZE1-000	SHAFT, GOVERNOR ARM	1	
012	90131-ZE1-000	BOLT, DRAIN PLUG	2	
013	90451-ZE1-000	WASHER, THRUST, 6MM	1	
014	90601-ZE1-000	WASHER, DRAIN PLUG, 10.2MM	2	
015	90602-ZE1-000	CLIP, GOVERNOR HOLDER	1	
Ref	Partnumber	Description	GX160K1	Serial Numbers
016	91001-ZF1-003	BEARING, RADIAL BALL (6205TMB) (NTN)	1	
016	91001-ZF1-004	BEARING, RADIAL BALL (6205SH) (KOYO)	1	
017	91202-883-005	OIL SEAL, 25X41X6	1	8565637
018	91353-671-004	O-RING, 14MM (NOK)	(1)	
019	94050-10000	NUT, FLANGE, 10MM	(1)	
020	94101-06800	WASHER, PLAIN, 6MM	2	
021	94251-08000	PIN, LOCK, 8MM	1	
022	95701-0601200	BOLT, FLANGE, 6X12	(2)	



Ref	Partnumber	Description	GX160K1	Serial Numbers
001	11300-ZE1-641	COVER ASSY., CRANKCASE	1	8566783
003	11381-ZH8-800	PACKING, CASE COVER (NON ASBESTOS)	1	3413169
003	11381-ZH8-801	PACKING, CASE COVER (NON ASBESTOS)	1	3413170
004	15600-ZE1-000	CAP ASSY., OIL FILLER (GRAY)	1	2966709
004	15600-ZE1-003	CAP ASSY., OIL FILLER (GRAY)	1	2966710
005	15600-ZG4-003	CAP ASSY., OIL FILLER	1	2966710
007	15621-896-010	PACKING, OIL FILLER CAP	1	2966709
008	15625-ZE1-000	PACKING, OIL FILLER CAP	1	2966709
008	15625-ZE1-003	PACKING, OIL FILLER CAP	2	2966710
009	91202-883-005	OIL SEAL, 25X41X6	1	8571217
010	94301-08140	DOWEL PIN, 8X14	2	
011	95701-0803200	BOLT, FLANGE, 8X32	6	
012	96100-6205000	BEARING, RADIAL BALL, 6205	1	



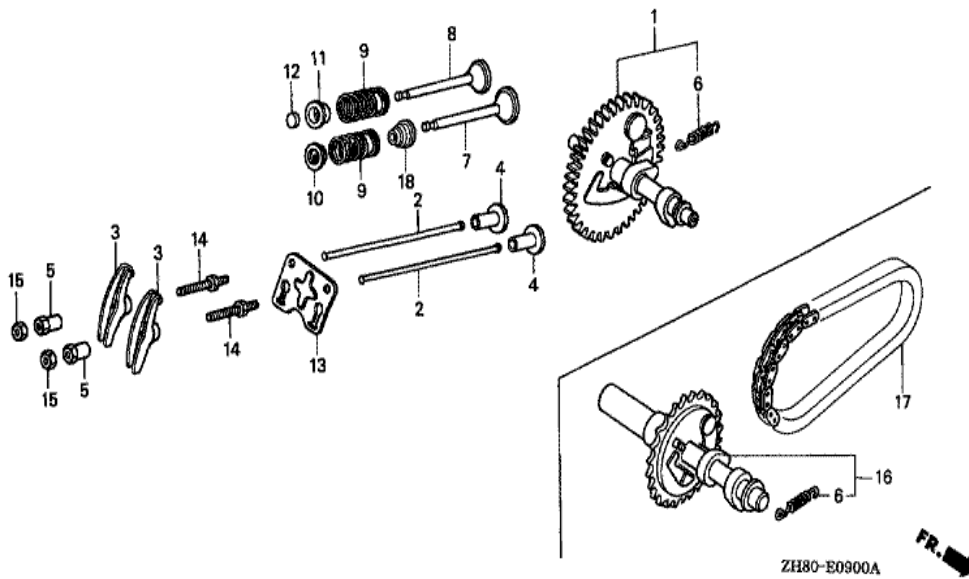
Ref	Partnumber	Description	GX160K1	Serial Numbers
004	13310-ZE1-601	CRANKSHAFT COMP.	1	
015	90745-ZE1-600	KEY, 4.78X4.78X38	(1)	



ZH80-E0800

FR.

Ref	Partnumber	Description	GX160K1	Serial Numbers
001	13010-ZF1-023	RING SET, PISTON (STD.) (TEIKOKU)	1	5495899
001	13010-ZF1-024	RING SET, PISTON (STD.) (NIPPON)	1	5495899
001	13011-ZF1-023	RING SET, PISTON (0.25) (TEIKOKU)	(1)	5495899
001	13011-ZF1-024	RING SET, PISTON (0.25) (NIPPON)	(1)	5495899
001	13012-ZF1-023	RING SET, PISTON (0.50) (TEIKOKU)	(1)	5495899
001	13012-ZF1-024	RING SET, PISTON (0.50) (NIPPON)	(1)	5495899
001	13013-ZF1-023	RING SET, PISTON (0.75) (TEIKOKU)	(1)	5495899
001	13013-ZF1-024	RING SET, PISTON (0.75) (NIPPON)	(1)	5495899
002	13101-ZH8-000	PISTON (STD.)	1	7603338
002	13102-ZH8-000	PISTON (0.25)	(1)	7603338
002	13103-ZH8-000	PISTON (0.50)	(1)	7603338
002	13104-ZH8-000	PISTON (0.75)	(1)	7603338
003	13111-ZE1-000	PIN, PISTON	1	
Ref	Partnumber	Description	GX160K1	Serial Numbers
004	13200-ZE1-010	ROD ASSY., CONNECTING (STD.)	1	
004	132A0-ZE1-000	ROD ASSY., CONNECTING (0.25 UNDER SIZE)	(1)	
005	90001-ZE1-000	BOLT, CONNECTING ROD	2	
006	90551-ZE1-000	CLIP, PISTON PIN, 18MM	2	



<u>Ref</u>	<u>Partnumber</u>	<u>Description</u>	<u>GX160K1</u>	<u>Serial Numbers</u>
001	14100-ZE1-812	CAMSHAFT ASSY.	1	4913229
002	14410-ZE1-010	ROD, PUSH	2	
003	14431-ZE1-000	ARM, VALVE ROCKER	2	
004	14441-ZE1-010	LIFTER, VALVE	2	
005	14451-ZE1-013	PIVOT, ROCKER ARM	2	
006	14568-ZE1-000	SPRING, WEIGHT RETURN	1	
007	14711-ZF1-000	VALVE, IN.	1	
008	14721-ZF1-000	VALVE, EX.	1	
009	14751-ZF1-000	SPRING, VALVE	2	
010	14771-ZE1-000	RETAINER, IN. VALVE SPRING	1	
011	14773-ZE1-000	RETAINER, EX. VALVE SPRING	1	
012	14781-ZE1-000	ROTATOR, VALVE	1	
013	14791-ZE1-010	PLATE, PUSH ROD GUIDE	1	
<u>Ref</u>	<u>Partnumber</u>	<u>Description</u>	<u>GX160K1</u>	<u>Serial Numbers</u>
014	90012-ZE0-010	BOLT, PIVOT, 8MM	2	
015	90206-ZE1-000	NUT, PIVOT ADJUSTING	2	

GX160K1(QXB)

EOP-1 GASKET KIT



HENG-X0003

<u>Ref</u>	<u>Partnumber</u>	<u>Description</u>	<u>GX160K1</u>	<u>Serial Numbers</u>
001	061A1-ZH8-020	GASKET KIT	1	3413169