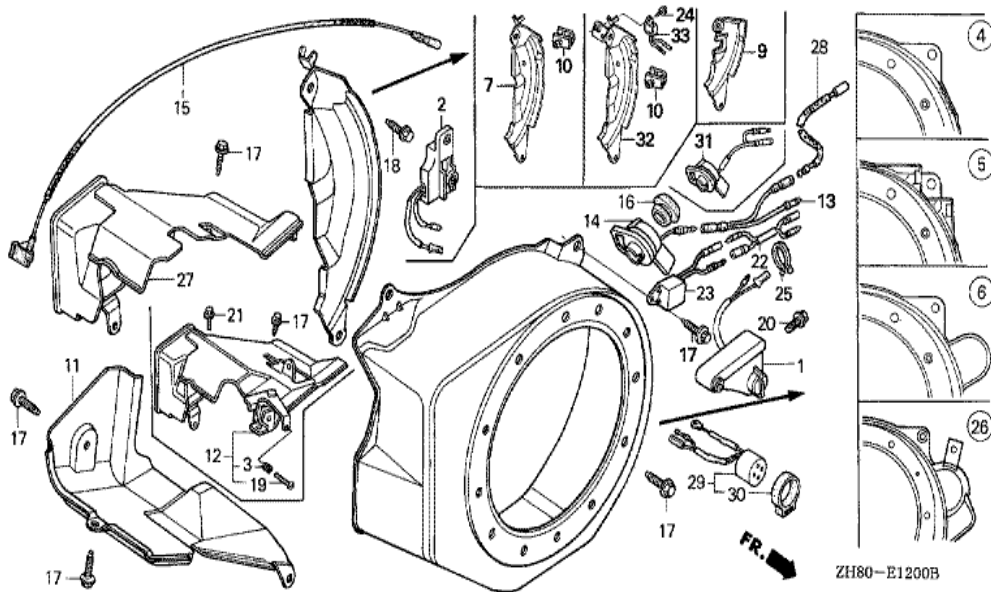




| Ref | Partnumber      | Description                       | GX160K1 | Serial Numbers |
|-----|-----------------|-----------------------------------|---------|----------------|
| 001 | 28400-ZH8-013ZB | STARTER ASSY., RECOIL *NH1 *      | 1       |                |
| 002 | 28410-ZH8-003ZB | CASE COMP., RECOIL STARTER *NH1 * | 1       |                |
| 003 | 28420-ZH8-013   | REEL, RECOIL STARTER (NATURAL)    | (1)     |                |
| 004 | 28422-ZH8-013   | RATCHET, STARTER                  | (2)     |                |
| 005 | 28433-ZH8-003   | GUIDE, RATCHET                    | (1)     |                |
| 006 | 28441-ZH8-003   | SPRING, FRICTION                  | (1)     |                |
| 007 | 28442-ZH8-003   | SPRING, RECOIL STARTER            | (1)     |                |
| 008 | 28443-ZH8-003   | SPRING, RETURN                    | (2)     |                |
| 009 | 28461-ZH8-003   | GRIP, STARTER                     | (1)     |                |
| 010 | 28462-ZH8-003   | ROPE, RECOIL STARTER              | (1)     |                |
| 012 | 90003-ZH8-003   | SCREW, SETTING                    | (1)     |                |
| 013 | 95701-0600800   | BOLT, FLANGE, 6X8                 | (3)     |                |



| Ref | Partnumber      | Description                      | GX160K1 | Serial Numbers |         |
|-----|-----------------|----------------------------------|---------|----------------|---------|
| 004 | 19610-ZE1-000ZC | COVER COMP., FAN *NH1 *          | 1       |                |         |
| 007 | 19612-ZH8-820   | PLATE, SIDE (LAMP)               | 1       | 4795906        | 5066322 |
| 007 | 19612-ZH8-821   | PLATE, SIDE (LAMP)               | 1       | 5066323        | 5372718 |
| 007 | 19612-ZH8-830   | PLATE, SIDE (ALERT & LAMP)       | (1)     |                | 4795905 |
| 010 | 19613-ZE1-000   | CLAMPER, CORD                    | 1       |                | 4368640 |
| 010 | 90601-ZH7-013   | CLIP, HARNESS                    | 1       | 4368641        |         |
| 011 | 19630-ZH8-000   | SHROUD COMP.                     | 1       |                |         |
| 013 | 32197-ZH8-003   | SUB HARNESS                      | 1       | 2468253        |         |
| 014 | 36100-ZE1-015   | SWITCH ASSY., ENGINE STOP        | 1       | 2468253        | 4368640 |
| 014 | 36100-ZH7-003   | SWITCH ASSY., ENGINE STOP        | 1       | 4368641        |         |
| 015 | 36101-ZE1-010   | CORD, STOP SWITCH (370MM)        | (1)     |                |         |
| 017 | 90013-883-000   | BOLT, FLANGE, 6X12 (CT200)       | 4       |                |         |
| 018 | 90022-888-010   | BOLT, FLANGE, 6X20 (CT200)       | (1)     |                |         |
| Ref | Partnumber      | Description                      | GX160K1 | Serial Numbers |         |
| 024 | 95701-0600800   | BOLT, FLANGE, 6X8                | 1       | 5372719        |         |
| 032 | 19611-ZH8-820   | PLATE COMP., SIDE (ALERT & LAMP) | 1       | 5372719        |         |
| 033 | 34150-ZH7-003   | ALERT UNIT, OIL                  | 1       | 5372719        |         |

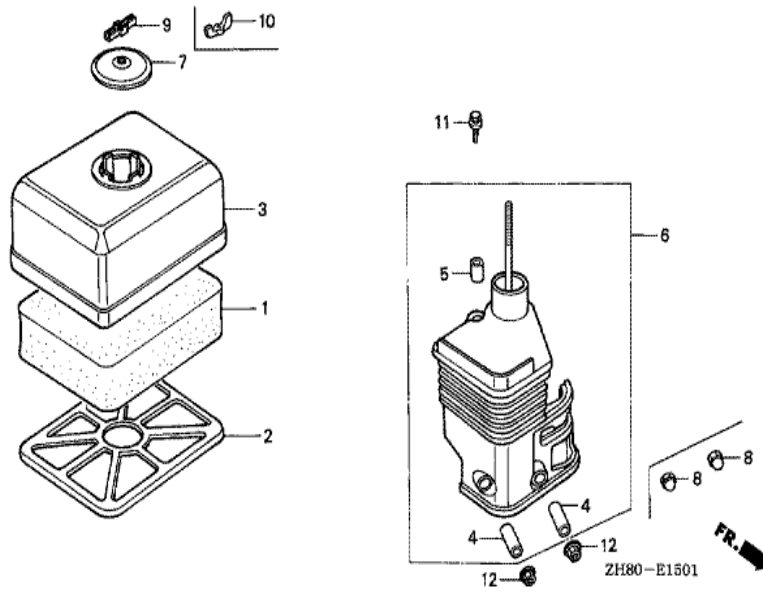


ZH80E1402B

FR. →

| Ref | Partnumber    | Description                | GX160K1 | Serial Numbers  |
|-----|---------------|----------------------------|---------|-----------------|
| 002 | 16010-ZE1-812 | GASKET SET                 | (1)     |                 |
| 003 | 16011-ZE0-005 | VALVE SET, FLOAT           | (1)     |                 |
| 004 | 16013-ZE0-005 | FLOAT SET                  | (1)     |                 |
| 005 | 16015-ZE0-831 | CHAMBER SET, FLOAT         | 1       | BE65B B         |
| 005 | 16015-ZE1-811 | CHAMBER SET, FLOAT         | 1       | BE65B A         |
| 006 | 16016-ZE0-005 | SCREW SET, PILOT           | 1       | BE06J C         |
| 007 | 16016-ZH7-W01 | SCREW SET, PILOT           | 1       | BE65C B         |
| 008 | 16024-ZE1-811 | SCREW SET, DRAIN           | (1)     |                 |
| 009 | 16028-ZE0-005 | SCREW SET                  | (1)     |                 |
| 010 | 16044-ZE0-005 | CHOKE SET                  | 1       | BE06J B         |
| 011 | 16100-ZH8-821 | CARBURETOR ASSY. (BE06J B) | 1       | 2895091 4012551 |
| 011 | 16100-ZH8-822 | CARBURETOR ASSY. (BE06J C) | 1       | 4012552 6276049 |
| 011 | 16100-ZH8-W61 | CARBURETOR ASSY. (BE65C B) | 1       | 6276050         |

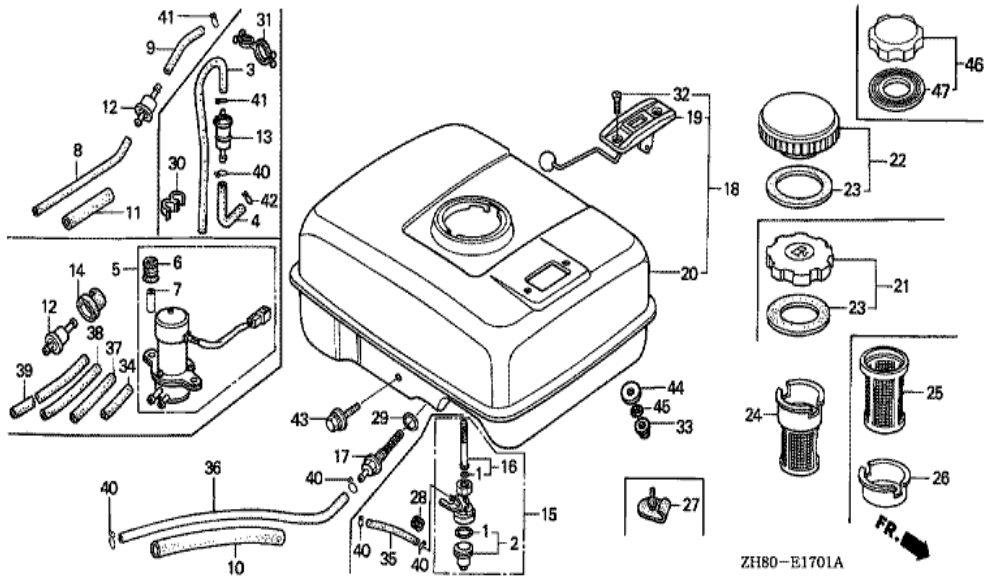
| <u>Ref</u> | <u>Partnumber</u> | <u>Description</u>         | <u>GX160K1</u> | <u>Serial Numbers</u> |
|------------|-------------------|----------------------------|----------------|-----------------------|
| 012        | 16124-ZE0-005     | SCREW, THROTTLE STOP       | (1)            |                       |
| 013        | 16166-ZH8-W50     | NOZZLE, MAIN               | 1              | BE06J B               |
| 013        | 16166-ZH8-W60     | NOZZLE, MAIN               | 1              | BE65C B               |
| 014        | 16173-001-004     | PACKING, FUEL STRAINER CUP | (1)            |                       |
| 015        | 16211-ZE1-000     | INSULATOR, CARBURETOR      | 1              |                       |
| 016        | 16212-ZH8-800     | PACKING, INSULATOR         | 1              | 2630824               |
| 017        | 16220-ZE1-020     | SPACER COMP., CARBURETOR   | 1              |                       |
| 018        | 16221-ZH8-801     | PACKING, CARBURETOR        | 1              | 3427589               |
| 021        | 16610-ZE1-000     | LEVER COMP., CHOKE (STD.)  | (1)            |                       |
| 026        | 16953-ZE1-811     | LEVER, COCK                | 1              | BE06J B               |
| 026        | 16953-ZE1-812     | LEVER, COCK                | 1              | BE06J C               |
| 027        | 16954-ZE1-811     | PLATE, LEVER SETTING       | 1              | BE65B A               |
| 027        | 16954-ZE1-812     | PLATE, LEVER SETTING       | 1              | BE65B B               |
| 028        | 16956-ZE1-811     | SPRING, COCK LEVER         | (1)            |                       |
| 029        | 16957-ZE1-812     | PACKING, FUEL COCK         | (1)            |                       |
| 030        | 16967-ZE0-811     | CUP, FUEL STRAINER         | (1)            |                       |
| 032        | 93500-030061H     | SCREW, PAN, 3X6            | 2              | BE65B B               |
| 035        | 94305-20122       | PIN, SPRING, 2X12          | (1)            |                       |
| 036        | 99101-ZH80650     | JET, MAIN, #65             | (1)            | BE06J C               |
| 036        | 99101-ZH80680     | JET, MAIN, #68             | (1)            | BE06J C               |
| 036        | 99101-ZH80700     | JET, MAIN, #70             | 1              | BE65B B               |
| 037        | 99204-ZE00350     | JET SET, PILOT, #35        | 1              | BE06J B               |



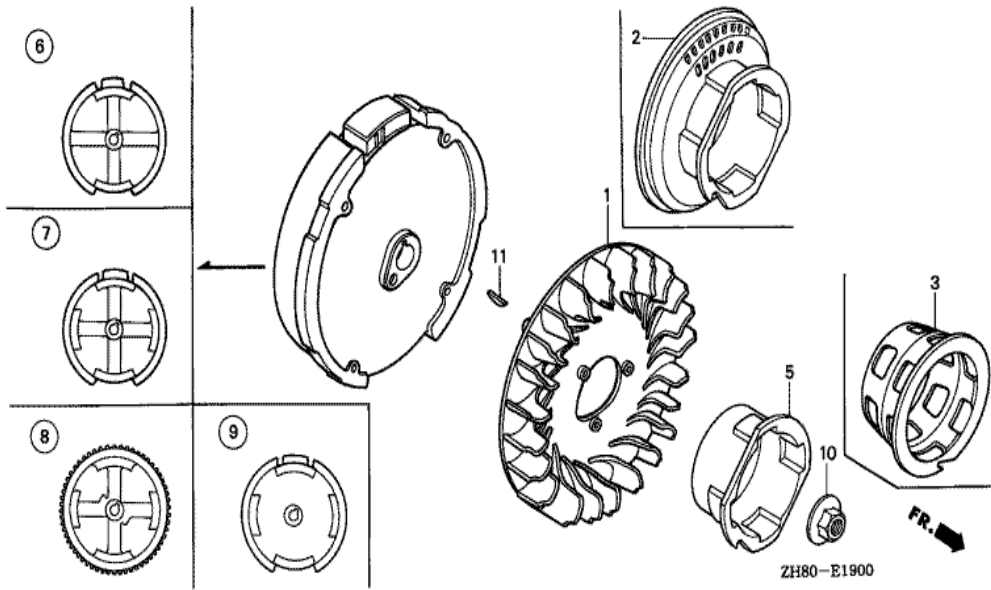
| Ref | Partnumber    | Description                     | GX160K1 | Serial Numbers |
|-----|---------------|---------------------------------|---------|----------------|
| 001 | 17211-ZE1-000 | ELEMENT, AIR CLEANER (SEMI DRY) | (1)     |                |
| 002 | 17212-ZE1-000 | GRID, AIR CLEANER (SEMI DRY)    | (1)     |                |
| 003 | 17231-ZE1-000 | COVER, AIR CLEANER (SEMI DRY)   | (1)     |                |
| 004 | 17238-ZE7-010 | COLLAR, AIR CLEANER             | (2)     |                |
| 005 | 17239-ZE1-000 | COLLAR B, AIR CLEANER           | (1)     |                |
| 006 | 17410-ZE1-020 | ELBOW COMP., AIR CLEANER        | (1)     |                |
| 007 | 17421-ZE1-000 | CAP, CLEANER                    | (1)     |                |
| 010 | 90325-044-000 | NUT, TOOL BOX SETTING           | 1       | 2836834        |
| 011 | 95701-0602000 | BOLT, FLANGE, 6X20              | 1       |                |
| 012 | 94050-06000   | NUT, FLANGE, 6MM                | 2       | 2708122        |



| Ref | Partnumber    | Description                       | GX160K1 | Serial Numbers |
|-----|---------------|-----------------------------------|---------|----------------|
| 002 | 18310-ZF1-000 | MUFFLER COMP. (STD.)              | (1)     |                |
| 003 | 18320-ZF1-H01 | PROTECTOR, MUFFLER (STD.) (BLACK) | 1       | 3244960        |
| 004 | 18325-ZE1-010 | PROTECTOR, LOWER                  | (1)     |                |
| 007 | 18381-ZH8-800 | GASKET, MUFFLER                   | (1)     |                |
| 014 | 90050-ZE1-000 | SCREW, TAPPING, 5X8               | (4)     |                |
| 022 | 94001-080000S | NUT, HEX., 8MM                    | 2       |                |
| 024 | 90055-ZE1-000 | SCREW, TAPPING, 4X6               | (1)     |                |
| 025 | 90055-ZE1-000 | SCREW, TAPPING, 4X6               | (3)     |                |



| Ref | Partnumber      | Description                              | GX160K1 | Serial Numbers  |
|-----|-----------------|--|---------|-----------------|
| 010 | 16854-ZH8-000   | RUBBER, SUPPORTER (107MM)                | (1)     |                 |
| 017 | 16955-ZE1-000   | JOINT, FUEL TANK                         | (1)     |                 |
| 020 | 17510-ZE1-020ZJ | TANK COMP., FUEL *T74 *                  | 1       |                 |
| 021 | 17620-ZH7-013   | CAP COMP., FUEL FILLER                   | 1       | 3063878 4705772 |
| 021 | 17620-ZH7-023   | CAP COMP., FUEL FILLER (BLACK)           | 1       | 4705773 8542059 |
| 023 | 17631-ZH7-003   | PACKING, FUEL FILLER CAP (39X58X3)       | 1       | 8542059         |
| 024 | 17670-ZH8-D01   | FILTER COMP., FUEL                       | 1       | 4269563         |
| 024 | 17672-ZE2-W01   | FILTER, FUEL                             | 1       |                 |
| 029 | 91353-671-004   | O-RING, 14MM (NOK)                       | (1)     |                 |
| 033 | 94050-06000     | NUT, FLANGE, 6MM                         | (2)     |                 |
| 036 | 95001-4514040   | TUBE, FUEL, 4.5X140 (95001-45001-60M)    | (1)     |                 |
| 040 | 95002-02080     | CLIP, TUBE (B8)                          | (2)     |                 |
| 043 | 95701-0602500   | BOLT, FLANGE, 6X25                       | 1       |                 |
| Ref | Partnumber      | Description                              | GX160K1 | Serial Numbers  |
| 046 | 17620-Z0T-814   | CAP COMP., FUEL FILLER (CHROME PLATED) ( | (1)     | 8542060         |
| 047 | 17631-Z0T-812   | PACKING, FUEL FILLER CAP (39X62X3) (TOUY | (1)     | 8542060         |



| Ref | Partnumber    | Description                  | GX160K1 | Serial Numbers |
|-----|---------------|------------------------------|---------|----------------|
| 001 | 19511-ZE1-000 | FAN, COOLING                 | 1       |                |
| 005 | 28451-ZH8-003 | PULLEY, STARTER              | (1)     |                |
| 007 | 31100-ZE1-811 | FLYWHEEL COMP. (LAMP)        | (1)     |                |
| 010 | 90201-878-003 | NUT, SPECIAL, 14MM           | 1       |                |
| 011 | 13331-357-000 | KEY, SPECIAL WOODRUFF, 25X18 | 1       |                |

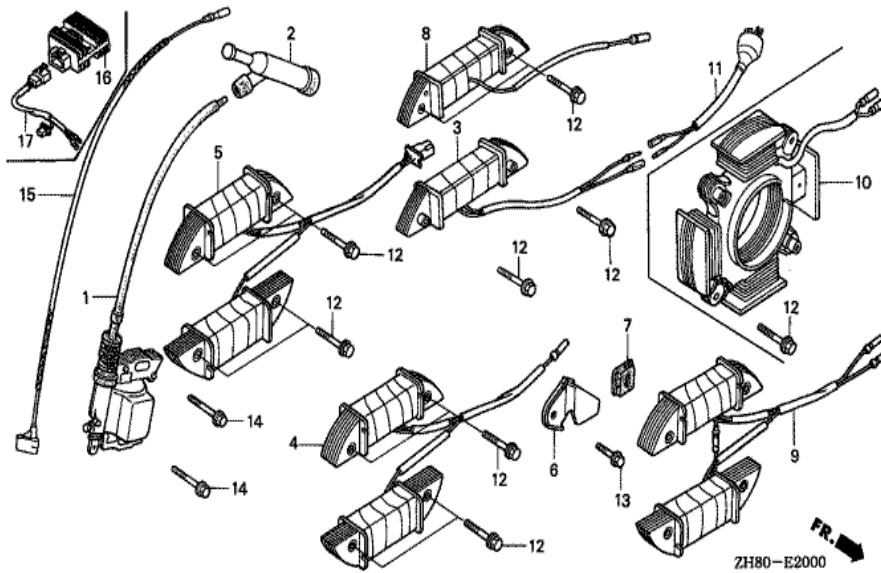




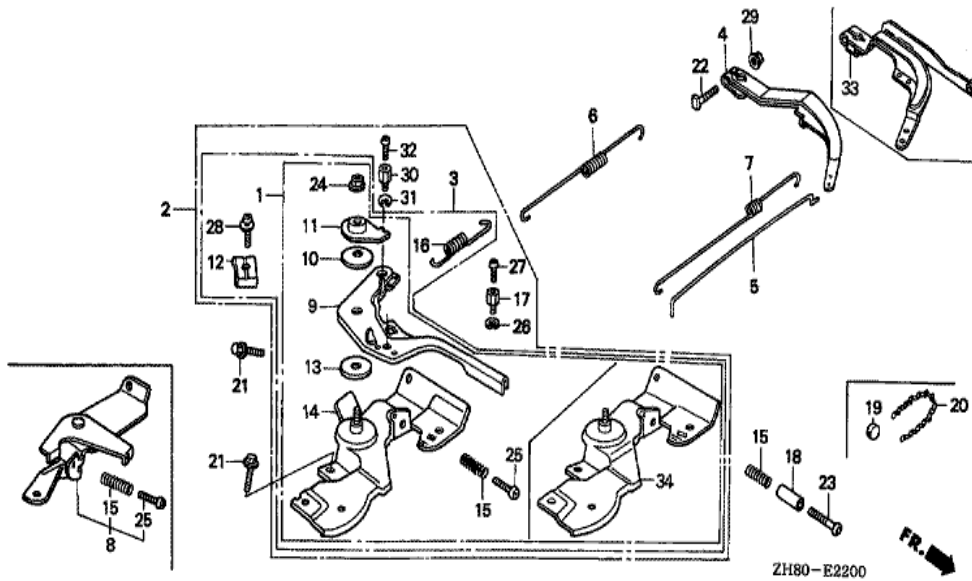
ZH80-E0200A



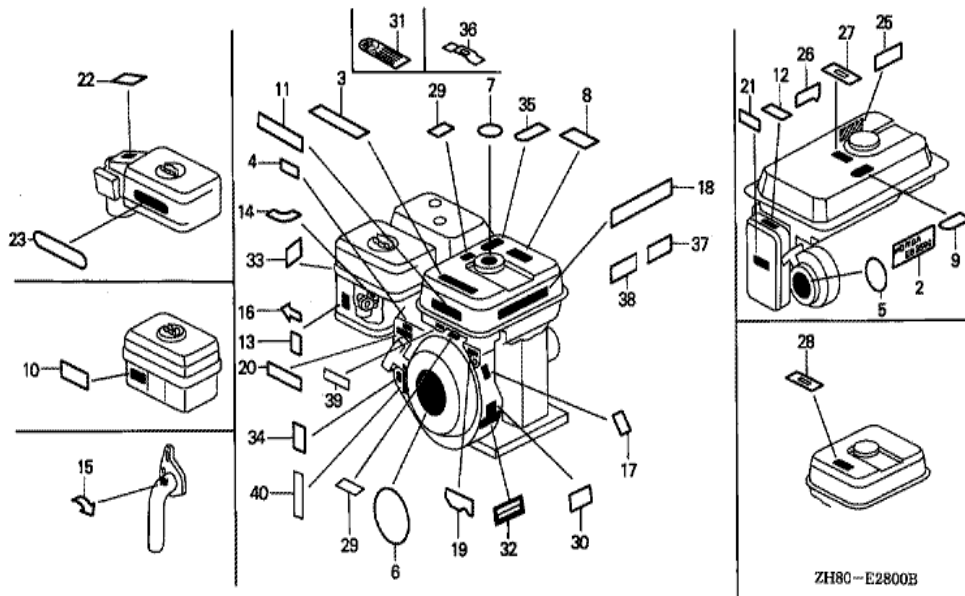
| Ref | Partnumber    | Description                    | GX160K1 | Serial Numbers |
|-----|---------------|--------------------------------|---------|----------------|
| 001 | 12210-ZH8-020 | HEAD COMP., CYLINDER           | 1       |                |
| 002 | 12204-ZE1-306 | GUIDE, IN. VALVE (OS)          | (1)     |                |
| 003 | 12205-ZE1-315 | GUIDE, EX. VALVE (OS)          | (1)     |                |
| 004 | 12216-ZE5-300 | CLIP, VALVE GUIDE              | 1       |                |
| 005 | 12251-ZF1-800 | GASKET, CYLINDER HEAD          | (1)     |                |
| 006 | 12310-ZE1-010 | COVER COMP., HEAD              | 1       | 7638542        |
| 007 | 12391-ZE1-000 | PACKING, HEAD COVER            | 1       |                |
| 008 | 15721-ZH8-000 | TUBE, BREATHER                 | (1)     |                |
| 009 | 90013-883-000 | BOLT, FLANGE, 6X12 (CT200)     | 4       | 2708337        |
| 010 | 90043-ZE1-020 | BOLT, STUD, 6X112              | 2       |                |
| 011 | 90047-ZE1-000 | BOLT, STUD, 8X32               | 2       |                |
| 012 | 94301-10160   | DOWEL PIN, 10X16               | 2       |                |
| 014 | 95723-0806000 | BOLT, FLANGE, 8X60             | 4       |                |
| Ref | Partnumber    | Description                    | GX160K1 | Serial Numbers |
| 015 | 98079-56841   | PLUG, SPARK (BP6ES) (NGK)      | 1       | 6276049        |
| 015 | 98079-56846   | PLUG, SPARK (BPR6ES) (NGK)     | 1       | 6276050        |
| 015 | 98079-56854   | PLUG, SPARK (W20EP-U) (DENSO)  | 1       | 6276049        |
| 015 | 98079-56855   | PLUG, SPARK (W20EPR-U) (DENSO) | 1       | 6276050        |



| Ref | Partnumber    | Description                               | GX160K1 | Serial Numbers |
|-----|---------------|---|---------|----------------|
| 001 | 30500-ZE1-033 | COIL ASSY., IGNITION                      | 1       | 8074561        |
| 002 | 30600-ZE1-013 | TERMINAL ASSY., HIGH TENSION (NICHIIWA Y- | 1       | 6276049        |
| 002 | 30700-ZE1-013 | CAP ASSY., NOISE SUPPRESSOR (NICHIIWA Y-E | 1       | 6276050        |
| 003 | 31510-ZE1-811 | COIL ASSY., LAMP (12V/25W)                | (1)     |                |
| 006 | 31511-ZE1-000 | CLAMPER, CORD                             | (1)     |                |
| 007 | 31512-ZE1-000 | GROMMET, CORD                             | (1)     |                |
| 012 | 90015-883-000 | BOLT, FLANGE, 6X28 (CT200)                | (4)     |                |
| 013 | 90019-883-000 | BOLT, FLANGE, 5X10                        | (1)     |                |
| 014 | 90121-952-000 | BOLT, FLANGE, 6X25 (CT200)                | 2       |                |

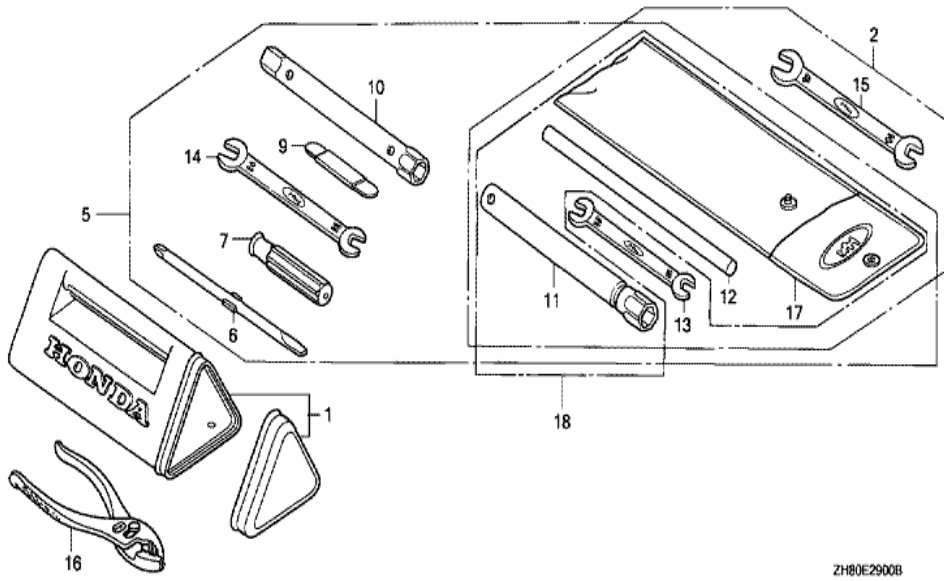


| Ref | Partnumber    | Description                | GX160K1 | Serial Numbers |
|-----|---------------|----------------------------|---------|----------------|
| 001 | 16570-ZK8-U30 | CONTROL ASSY. (WACKER)     | 1       | 4913230        |
| 004 | 16551-ZE0-010 | ARM, GOVERNOR              | 1       | 4913229        |
| 004 | 16551-ZL0-000 | ARM, GOVERNOR              | 1       | 4913230        |
| 005 | 16555-ZE1-000 | ROD, GOVERNOR              | 1       |                |
| 006 | 16561-ZH8-D00 | SPRING, GOVERNOR           | 1       | 4913229        |
| 006 | 16561-ZL0-000 | SPRING, GOVERNOR           | 1       | 5048025        |
| 007 | 16562-ZE1-020 | SPRING, THROTTLE RETURN    | 1       |                |
| 008 | 16570-ZB2-000 | CONTROL ASSY.              | 1       |                |
| 015 | 16584-883-300 | SPRING, CONTROL ADJUSTING  | (1)     |                |
| 021 | 90013-883-000 | BOLT, FLANGE, 6X12 (CT200) | 2       |                |
| 022 | 90015-ZE5-010 | BOLT, GOVERNOR ARM         | 1       |                |
| 025 | 93500-050350A | SCREW, PAN, 5X35           | 1       |                |
| 025 | 93500-050400G | SCREW, PAN, 5X40           | 1       | 6111881        |
| Ref | Partnumber    | Description                | GX160K1 | Serial Numbers |
| 029 | 94050-06000   | NUT, FLANGE, 6MM           | 1       |                |



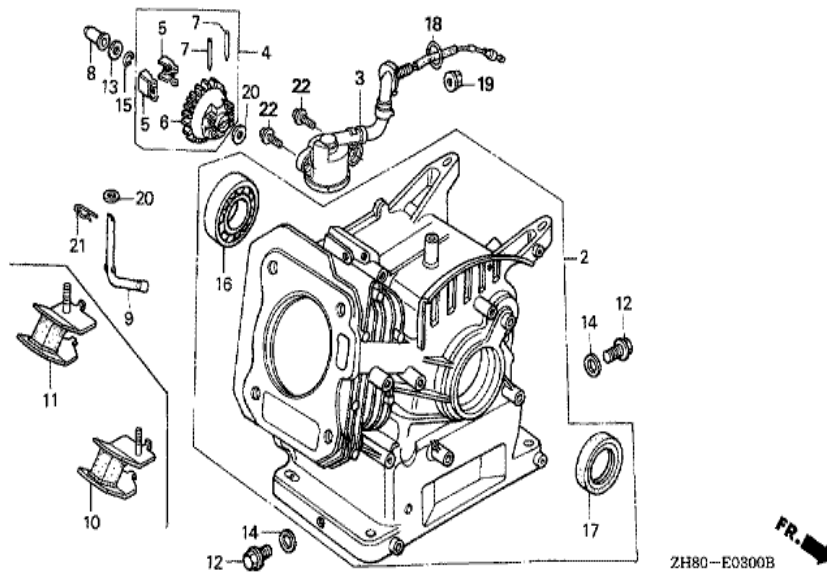
ZH80-E2800B

| Ref | Partnumber    | Description                     | GX160K1 | Serial Numbers  |
|-----|---------------|---------------------------------|---------|-----------------|
| 006 | 87521-ZH8-010 | EMBLEM (5.5)                    | 1       | 2468253 7438467 |
| 008 | 87526-ZH8-000 | MARK B, COMBINATION (JAPANESE)  | 1       | 3668136         |
| 011 | 87520-ZH8-000 | MARK A, COMBINATION (JAPANESE)  | 1       | 3668136         |
| 013 | 87528-ZE1-810 | MARK, CHOKE                     | (1)     |                 |
| 017 | 87530-ZH8-000 | LABEL, SPECIFICATION (INTERNAL) | 1       | 8066647         |
| 017 | 87530-ZH8-010 | LABEL, SPECIFICATION (INTERNAL) | (1)     | 8066648         |
| 018 | 87532-ZH8-000 | MARK, OIL ALERT                 | 1       | 2468253         |



ZH80E2900B

| <u>Ref</u> | <u>Partnumber</u> | <u>Description</u>       | <u>GX160K1</u> | <u>Serial Numbers</u> |
|------------|-------------------|--------------------------|----------------|-----------------------|
| 011        | 89218-ZE1-000     | WRENCH COMP., SPARK PLUG | (1)            |                       |



ZH80-E0300B

| Ref | Partnumber    | Description                          | GX160K1 | Serial Numbers  |
|-----|---------------|--------------------------------------|---------|-----------------|
| 002 | 12000-ZH8-416 | BARREL ASSY., CYLINDER (OIL ALERT)   | 1       | 4067885 8565637 |
| 002 | 12000-ZH8-426 | BARREL ASSY., CYLINDER (OIL ALERT)   | 1       | 8565638         |
| 003 | 15510-ZE1-033 | SWITCH ASSY., OIL LEVEL              | (1)     |                 |
| 004 | 16506-ZL0-000 | GOVERNOR ASSY.                       | 1       | 4913230         |
| 004 | 16510-ZE1-000 | GOVERNOR ASSY.                       | 1       | 4913229         |
| 005 | 16511-ZE1-000 | WEIGHT, GOVERNOR                     | 2       | 4913229         |
| 006 | 16512-ZE1-000 | HOLDER, GOVERNOR WEIGHT              | 1       | 4913229         |
| 007 | 16513-ZE1-000 | PIN, GOVERNOR WEIGHT                 | 2       | 4913229         |
| 008 | 16531-ZE1-000 | SLIDER, GOVERNOR                     | 1       |                 |
| 009 | 16541-ZE1-000 | SHAFT, GOVERNOR ARM                  | 1       |                 |
| 012 | 90131-ZE1-000 | BOLT, DRAIN PLUG                     | 2       |                 |
| 013 | 90451-ZE1-000 | WASHER, THRUST, 6MM                  | 1       |                 |
| 014 | 90601-ZE1-000 | WASHER, DRAIN PLUG, 10.2MM           | 2       |                 |
| Ref | Partnumber    | Description                          | GX160K1 | Serial Numbers  |
| 015 | 90602-ZE1-000 | CLIP, GOVERNOR HOLDER                | 1       |                 |
| 016 | 91001-ZF1-003 | BEARING, RADIAL BALL (6205TMB) (NTN) | 1       |                 |
| 016 | 91001-ZF1-004 | BEARING, RADIAL BALL (6205SH) (KOYO) | 1       |                 |
| 017 | 91201-Z0T-801 | OIL SEAL, 25X41X6 (NOK)              | 1       | 8565638         |
| 017 | 91202-883-005 | OIL SEAL, 25X41X6                    | 1       | 8565637         |
| 018 | 91353-671-004 | O-RING, 14MM (NOK)                   | (1)     |                 |
| 019 | 94050-10000   | NUT, FLANGE, 10MM                    | (1)     |                 |
| 020 | 94101-06800   | WASHER, PLAIN, 6MM                   | 2       |                 |
| 021 | 94251-08000   | PIN, LOCK, 8MM                       | 1       |                 |
| 022 | 95701-0601200 | BOLT, FLANGE, 6X12                   | (2)     |                 |



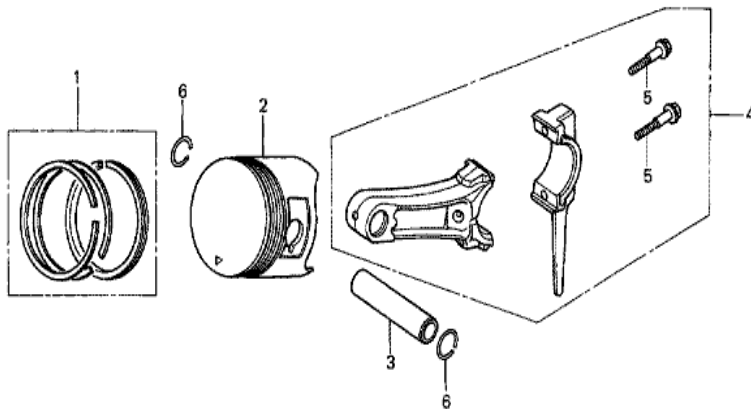
ZH80-E0600A

| Ref | Partnumber    | Description                        | GX160K1 | Serial Numbers |
|-----|---------------|------------------------------------|---------|----------------|
| 001 | 11300-ZE1-633 | COVER ASSY., CRANKCASE             | 1       | 8565637        |
| 001 | 11300-ZE1-634 | COVER ASSY., CRANKCASE             | 1       | 8565638        |
| 003 | 11381-ZH8-801 | PACKING, CASE COVER (NON ASBESTOS) | 1       | 3413170        |
| 004 | 15600-ZE1-003 | CAP ASSY., OIL FILLER (GRAY)       | 1       | 2966710        |
| 005 | 15600-ZG4-003 | CAP ASSY., OIL FILLER              | 1       | 2966710        |
| 008 | 15625-ZE1-003 | PACKING, OIL FILLER CAP            | 2       | 2966710        |
| 009 | 91201-ZOT-801 | OIL SEAL, 25X41X6 (NOK)            | 1       | 8571218        |
| 009 | 91202-883-005 | OIL SEAL, 25X41X6                  | 1       | 8571217        |
| 010 | 94301-08140   | DOWEL PIN, 8X14                    | 2       |                |
| 011 | 95701-0803200 | BOLT, FLANGE, 8X32                 | 6       |                |
| 012 | 96100-6205000 | BEARING, RADIAL BALL, 6205         | 1       |                |



| Ref | Partnumber    | Description      | GX160K1 | Serial Numbers |
|-----|---------------|------------------|---------|----------------|
| 002 | 13310-ZB2-000 | CRANKSHAFT COMP. | 1       |                |





ZH80-E0800



| Ref | Partnumber    | Description                             | GX160K1 | Serial Numbers  |
|-----|---------------|---|---------|-----------------|
| 001 | 13010-ZF1-023 | RING SET, PISTON (STD.) (TEIKOKU)       | 1       | 5495899         |
| 001 | 13010-ZF1-024 | RING SET, PISTON (STD.) (NIPPON)        | 1       | 5495899         |
| 001 | 13010-ZH8-941 | RING SET, PISTON (STD.) (TEIKOKU)       | 1       | 5495900 7603338 |
| 001 | 13010-ZH8-942 | RING SET, PISTON (STD.) (NIPPON)        | 1       | 5495900 7603338 |
| 001 | 13011-ZF1-023 | RING SET, PISTON (0.25) (TEIKOKU)       | (1)     | 5495899         |
| 001 | 13011-ZF1-024 | RING SET, PISTON (0.25) (NIPPON)        | (1)     | 5495899         |
| 001 | 13011-ZH8-941 | RING SET, PISTON (0.25) (TEIKOKU)       | (1)     | 5495900 7603338 |
| 001 | 13011-ZH8-942 | RING SET, PISTON (0.25) (NIPPON)        | (1)     | 5495900 7603338 |
| 001 | 13012-ZF1-023 | RING SET, PISTON (0.50) (TEIKOKU)       | (1)     | 5495899         |
| 001 | 13012-ZF1-024 | RING SET, PISTON (0.50) (NIPPON)        | (1)     | 5495899         |
| 001 | 13012-ZH8-941 | RING SET, PISTON (0.50) (TEIKOKU)       | (1)     | 5495900 7603338 |
| 001 | 13012-ZH8-942 | RING SET, PISTON (0.50) (NIPPON)        | (1)     | 5495900 7603338 |
| 001 | 13013-ZF1-023 | RING SET, PISTON (0.75) (TEIKOKU)       | (1)     | 5495899         |
| Ref | Partnumber    | Description                             | GX160K1 | Serial Numbers  |
| 001 | 13013-ZF1-024 | RING SET, PISTON (0.75) (NIPPON)        | (1)     | 5495899         |
| 001 | 13013-ZH8-941 | RING SET, PISTON (0.75) (TEIKOKU)       | (1)     | 5495900 7603338 |
| 001 | 13013-ZH8-942 | RING SET, PISTON (0.75) (NIPPON)        | (1)     | 5495900 7603338 |
| 002 | 13101-ZH8-000 | PISTON (STD.)                           | 1       | 7603338         |
| 002 | 13102-ZH8-000 | PISTON (0.25)                           | (1)     | 7603338         |
| 002 | 13103-ZH8-000 | PISTON (0.50)                           | (1)     | 7603338         |
| 002 | 13104-ZH8-000 | PISTON (0.75)                           | (1)     | 7603338         |
| 003 | 13111-ZE1-000 | PIN, PISTON                             | 1       |                 |
| 004 | 13200-ZE1-010 | ROD ASSY., CONNECTING (STD.)            | 1       |                 |
| 004 | 132A0-ZE1-000 | ROD ASSY., CONNECTING (0.25 UNDER SIZE) | (1)     |                 |
| 005 | 90001-ZE1-000 | BOLT, CONNECTING ROD                    | 2       |                 |
| 006 | 90551-ZE1-000 | CLIP, PISTON PIN, 18MM                  | 2       |                 |



ZH80-E0900A



| <u>Ref</u> | <u>Partnumber</u> | <u>Description</u>         | <u>GX160K1</u> | <u>Serial Numbers</u> |
|------------|-------------------|----------------------------|----------------|-----------------------|
| 001        | 14100-ZE1-812     | CAMSHAFT ASSY.             | 1              | 4913229               |
| 001        | 14100-ZL0-000     | CAMSHAFT ASSY.             | 1              | 4913230               |
| 002        | 14410-ZE1-010     | ROD, PUSH                  | 2              |                       |
| 003        | 14431-ZE1-000     | ARM, VALVE ROCKER          | 2              |                       |
| 004        | 14441-ZE1-010     | LIFTER, VALVE              | 2              |                       |
| 005        | 14451-ZE1-013     | PIVOT, ROCKER ARM          | 2              |                       |
| 006        | 14568-ZE1-000     | SPRING, WEIGHT RETURN      | 1              |                       |
| 007        | 14711-ZF1-000     | VALVE, IN.                 | 1              |                       |
| 008        | 14721-ZF1-000     | VALVE, EX.                 | 1              |                       |
| 009        | 14751-ZF1-000     | SPRING, VALVE              | 2              |                       |
| 010        | 14771-ZE1-000     | RETAINER, IN. VALVE SPRING | 1              |                       |
| 011        | 14773-ZE1-000     | RETAINER, EX. VALVE SPRING | 1              |                       |
| 012        | 14781-ZE1-000     | ROTATOR, VALVE             | 1              |                       |
| <u>Ref</u> | <u>Partnumber</u> | <u>Description</u>         | <u>GX160K1</u> | <u>Serial Numbers</u> |
| 013        | 14791-ZE1-010     | PLATE, PUSH ROD GUIDE      | 1              |                       |
| 014        | 90012-ZE0-010     | BOLT, PIVOT, 8MM           | 2              |                       |
| 015        | 90206-ZE1-000     | NUT, PIVOT ADJUSTING       | 2              |                       |

GX160K1(VXD1)

EOP-1 GASKET KIT



HENG-X0003

| <u>Ref</u> | <u>Partnumber</u> | <u>Description</u> | <u>GX160K1</u> | <u>Serial Numbers</u> |
|------------|-------------------|--------------------|----------------|-----------------------|
| 001        | 061A1-ZH8-040     | GASKET KIT         | 1              | 3427859               |