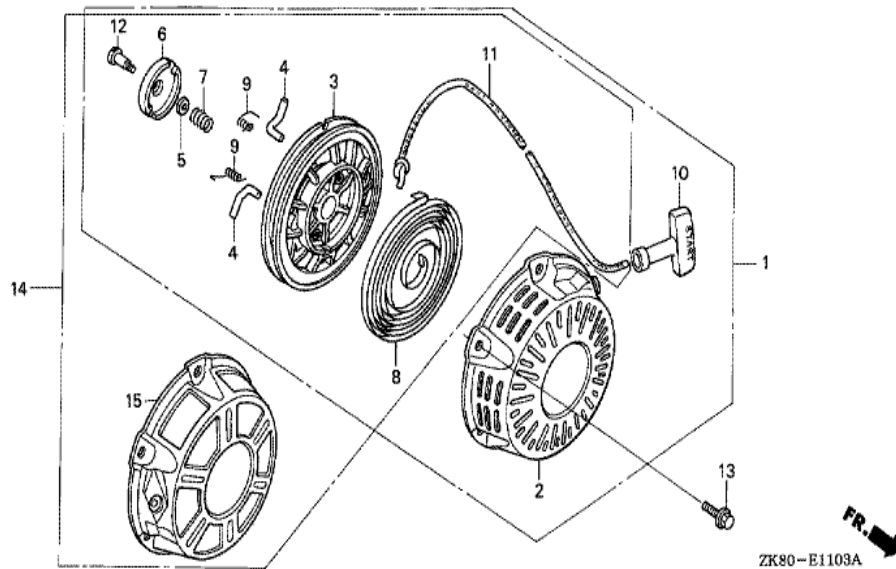




<u>Ref</u>	<u>Partnumber</u>	<u>Description</u>	<u>GX160K1</u>	<u>Serial Numbers</u>
001	28400-ZH8-013YA	STARTER ASSY., RECOIL *R280 *	1	8805657
001	28400-ZH8-013ZB	STARTER ASSY., RECOIL *NH1 *	1	8805657
001	28400-ZH8-013ZP	STARTER ASSY., RECOIL *T68*	1	8805657
001	28400-ZH8-013ZQ	STARTER ASSY., RECOIL *Y131*	1	8805657
004	28410-ZH8-003YA	CASE COMP., RECOIL STARTER *R280 *	1	8805657
004	28410-ZH8-003ZB	CASE COMP., RECOIL STARTER *NH1 *	1	8805657
004	28410-ZH8-003ZP	CASE COMP., RECOIL STARTER *T68 *	1	8805657
004	28410-ZH8-003ZQ	CASE COMP., RECOIL STARTER *Y131 *	1	8805657
005	28420-ZH8-013	REEL, RECOIL STARTER (NATURAL)	1	8805657
006	28422-ZH8-013	RATCHET, STARTER	2	8805657
007	28433-ZH8-003	GUIDE, RATCHET	1	8805657
008	28441-ZH8-003	SPRING, FRICTION	1	8805657
009	28442-ZH8-003	SPRING, RECOIL STARTER	1	8805657
<u>Ref</u>	<u>Partnumber</u>	<u>Description</u>	<u>GX160K1</u>	<u>Serial Numbers</u>
010	28443-ZH8-003	SPRING, RETURN	2	8805657
011	28461-ZH8-003	GRIP, STARTER	1	8805657
012	28462-ZH8-003	ROPE, RECOIL STARTER	1	8805657
013	90003-ZH8-003	SCREW, SETTING	1	8805657
014	90008-ZE2-003	BOLT, FLANGE, 6X10	3	8805657

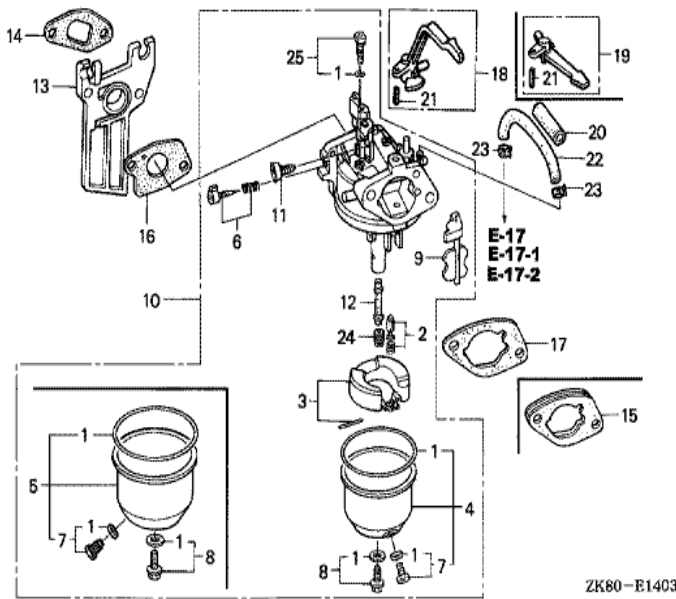


Ref	Partnumber	Description	GX160K1	Serial Numbers
001	28400-ZH8-023YA	STARTER ASSY., RECOIL *R280 *	1	8805658
001	28400-ZH8-023ZB	STARTER ASSY., RECOIL *NH1 *	1	8805658
001	28400-ZH8-023ZP	STARTER ASSY., RECOIL *T68 *	1	8805658
001	28400-ZH8-023ZQ	STARTER ASSY., RECOIL *Y131 *	1	8805658
002	28410-ZH8-003YA	CASE COMP., RECOIL STARTER *R280 *	1	8805658
002	28410-ZH8-003ZB	CASE COMP., RECOIL STARTER *NH1 *	1	8805658
002	28410-ZH8-003ZP	CASE COMP., RECOIL STARTER *T68 *	1	8805658
002	28410-ZH8-003ZQ	CASE COMP., RECOIL STARTER *Y131 *	1	8805658
003	28421-ZH8-801	REEL, RECOIL STARTER (BLACK)	1	8805658
004	28422-ZH8-801	RATCHET, STARTER	2	8805658
005	28431-ZH8-801	PLATE, FRICTION	1	8805658
006	28433-ZH8-801	GUIDE, RATCHET	1	8805658
007	28441-ZH8-801	SPRING, FRICTION	1	8805658
Ref	Partnumber	Description	GX160K1	Serial Numbers
008	28442-ZH8-003	SPRING, RECOIL STARTER	1	8805658
009	28443-ZH8-801	SPRING, RETURN	2	8805658
010	28461-ZH8-003	GRIP, STARTER	1	8805658
011	28462-ZH8-003	ROPE, RECOIL STARTER	1	8805658
012	90003-ZH8-801	SCREW, SETTING	1	8805658
013	90008-ZE2-003	BOLT, FLANGE, 6X10	3	8805658



ZK80-E1200A

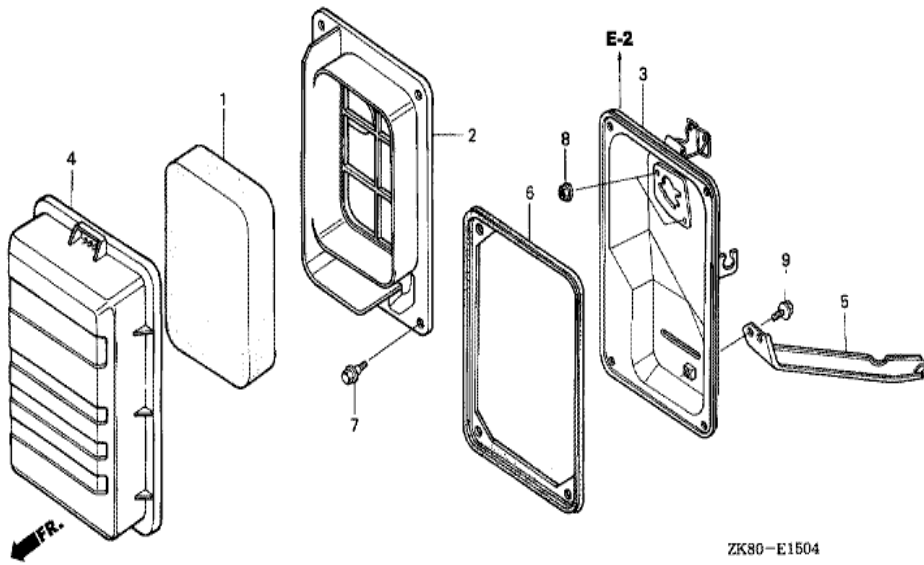
Ref	Partnumber	Description	GX160K1	Serial Numbers
001	16584-883-300	SPRING, CONTROL ADJUSTING	1	
002	19610-ZE1-000ZC	COVER COMP., FAN *NH1 *	1	
002	19610-ZE1-000ZK	COVER COMP., FAN *T68 *	1	
002	19610-ZE1-000ZL	COVER COMP., FAN *Y131 *	1	
002	19610-ZE1-000ZP	COVER COMP., FAN *R280 *	1	
008	19613-ZE1-020	CLAMP, CORD	1	
009	19630-ZB2-000	SHROUD COMP., LOWER	1	
010	19640-ZB2-010	SHROUD ASSY., UPPER	1	
013	32197-ZH8-003	SUB HARNESS	1	
020	81329-567-020	GROMMET, DRAIN HOLE	1	
021	90013-883-000	BOLT, FLANGE, 6X12 (CT200)	8	
022	90022-888-010	BOLT, FLANGE, 6X20 (CT200)	1	
025	93500-050350A	SCREW, PAN, 5X35	1	
Ref	Partnumber	Description	GX160K1	Serial Numbers
026	95701-0600800	BOLT, FLANGE, 6X8	1	
027	19611-ZH8-810	PLATE COMP., SIDE (OIL ALERT)	1	
028	34150-ZH7-003	ALERT UNIT, OIL	1	
029	95701-0600800	BOLT, FLANGE, 6X8	1	



ZK80-E1403

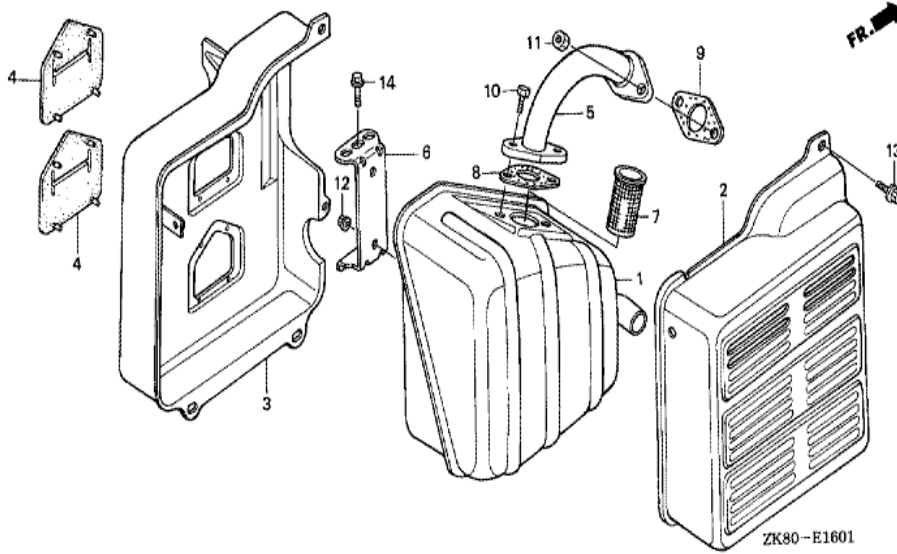
FR. →

<u>Ref</u>	<u>Partnumber</u>	<u>Description</u>	<u>GX160K1</u>	<u>Serial Numbers</u>
001	16010-ZB1-015	GASKET SET	1	
002	16011-ZE0-005	VALVE SET, FLOAT	1	
003	16013-ZE0-005	FLOAT SET	1	
004	16015-ZE0-831	CHAMBER SET, FLOAT	1	
006	16016-ZH7-W01	SCREW SET, PILOT	1	
007	16024-ZE1-811	SCREW SET, DRAIN	1	
008	16028-ZE0-005	SCREW SET	1	
009	16044-ZE0-005	CHOKE SET	1	
010	16100-ZH8-E81	CARBURETOR ASSY. (BE67A B)	1	
011	16124-ZE0-005	SCREW, THROTTLE STOP	1	
012	16166-ZH8-E80	NOZZLE, MAIN	1	
013	16211-ZE1-000	INSULATOR, CARBURETOR	1	
014	16212-ZH8-800	PACKING, INSULATOR	1	
<u>Ref</u>	<u>Partnumber</u>	<u>Description</u>	<u>GX160K1</u>	<u>Serial Numbers</u>
016	16221-ZH8-801	PACKING, CARBURETOR	1	
017	16269-ZE1-800	PACKING, AIR CLEANER	1	
018	16610-ZB2-000	LEVER COMP., CHOKE	1	
021	94305-20122	PIN, SPRING, 2X12	1	
024	99101-ZH80700	JET, MAIN, #70	(1)	
024	99101-ZH80720	JET, MAIN, #72	(1)	
024	99101-ZH80750	JET, MAIN, #75	1	
025	99204-ZE00350	JET SET, PILOT, #35	1	

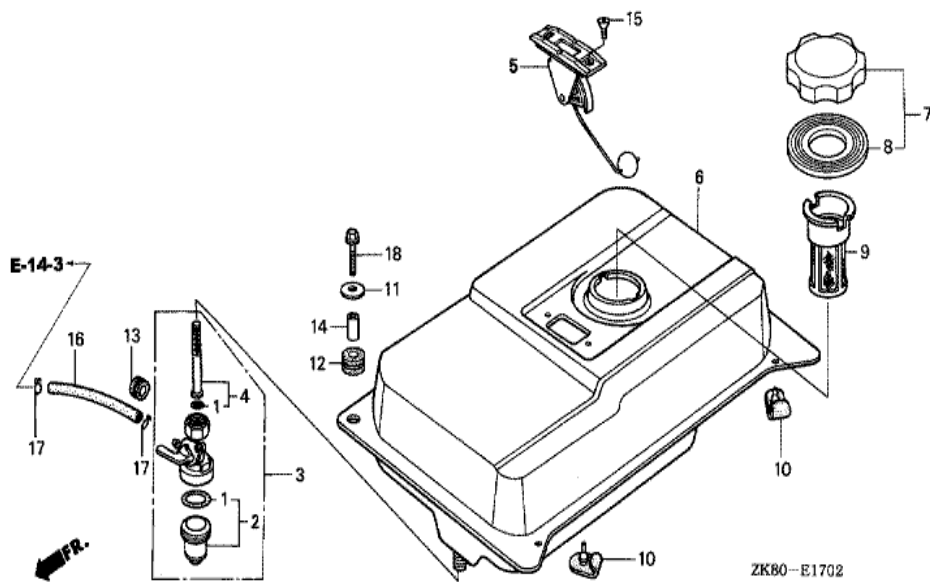


ZK80-E1504

Ref	Partnumber	Description	GX160K1	Serial Numbers
001	17211-ZB2-000	ELEMENT, AIR CLEANER	1	
002	17212-ZB2-000	SEPARATOR, AIR CLEANER	1	
003	17220-ZB2-000	CASE COMP., AIR CLEANER	1	
004	17231-ZB2-000	COVER, AIR CLEANER	1	
005	17239-ZB2-000	STAY, AIR CLEANER	1	
006	17252-ZB2-000	SEAL, AIR CLEANER	1	
007	90115-459-770	BOLT, WINKER SETTING	4	
008	94050-06080	NUT, FLANGE, 6MM	2	
009	95701-0600800	BOLT, FLANGE, 6X8	1	



<u>Ref</u>	<u>Partnumber</u>	<u>Description</u>	<u>GX160K1</u>	<u>Serial Numbers</u>
001	18310-ZB3-C00	MUFFLER COMP.	1	
002	18320-ZB2-000	PROTECTOR, MUFFLER OUTER	1	
003	18325-ZB2-000	PROTECTOR, MUFFLER INNER	1	
004	18329-ZB2-000	SEAL, MUFFLER PROTECTOR	2	
005	18330-ZB2-000	PIPE COMP., EX.	1	
006	18338-ZB3-E30	STAY, MUFFLER	1	
007	18355-898-630	ARRESTER, SPARK	1	
008	18381-ZE1-800	GASKET, MUFFLER	1	
009	18381-ZH8-800	GASKET, MUFFLER	1	
010	92101-080200A	BOLT, HEX., 8X20	2	
011	94001-080000S	NUT, HEX., 8MM	2	
012	94050-06000	NUT, FLANGE, 6MM	2	
013	95701-0601200	BOLT, FLANGE, 6X12	5	
<u>Ref</u>	<u>Partnumber</u>	<u>Description</u>	<u>GX160K1</u>	<u>Serial Numbers</u>
014	95801-0802018	BOLT, FLANGE, 8X20	1	



Ref	Partnumber	Description	GX160K1	Serial Numbers
001	16080-898-631	PACKING SET, COCK	1	
002	16081-471-831	CUP, FUEL STRAINER	1	
003	16950-898-633	COCK ASSY., FUEL	1	
004	16952-GG2-731	SCREEN SET	1	
005	17505-ZB2-003	METER ASSY., FUEL	1	
006	17510-ZB2-000ZA	TANK COMP., FUEL *NH31 *	1	
006	17510-ZB2-000ZG	TANK COMP., FUEL *T68 *	1	
006	17510-ZB2-000ZH	TANK COMP., FUEL *Y131 *	1	
006	17510-ZB2-000ZL	TANK COMP., FUEL *NH1 *	1	
006	17510-ZB2-000ZM	TANK COMP., FUEL *R280 *	1	
007	17620-Z0T-305	CAP COMP., FUEL FILLER (CHROME PLATED)	1	
008	17631-Z0T-812	PACKING, FUEL FILLER CAP (39X62X3) (TOUY	1	
009	17670-ZH7-A21	FILTER COMP., FUEL	1	
Ref	Partnumber	Description	GX160K1	Serial Numbers
010	50319-ZB2-000	RUBBER, TANK MOUNTING	2	
011	90506-500-000	WASHER, AIR DUCT	2	
012	90852-898-000	RUBBER, CONTROL BOX	2	
013	90854-ZB3-000	RUBBER, FUEL (9X15X20)	1	
014	91552-898-000	COLLAR, CONTROL BOX	2	
015	93600-050100A	SCREW, FLAT, 5X10	2	
016	95001-4515040	TUBE, FUEL, 4.5X150 (95001-45001-60M)	1	
017	95002-02080	CLIP, TUBE (B8)	2	
018	95701-0602000	BOLT, FLANGE, 6X20	2	



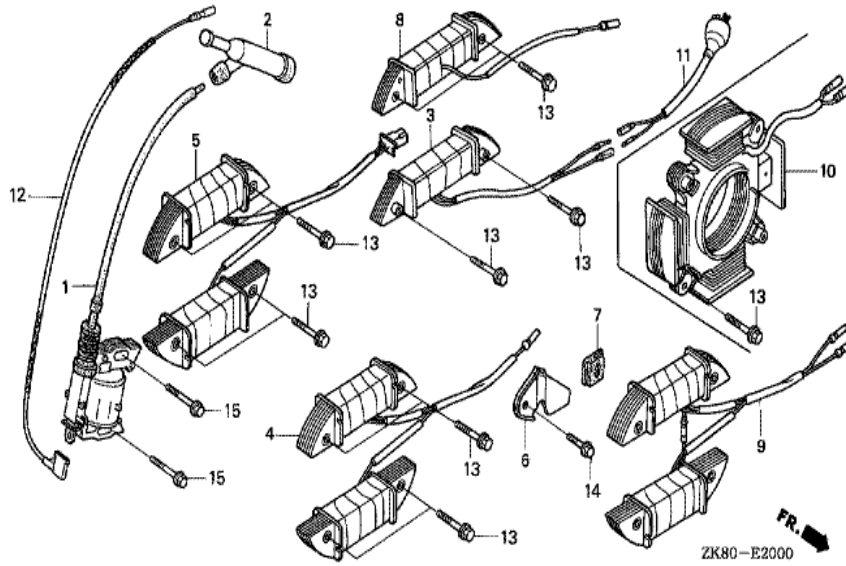
ZK80-E1900B

Ref	Partnumber	Description	GX160K1	Serial Numbers
001	13331-357-000	KEY, SPECIAL WOODRUFF, 25X18	1	
002	19511-ZE1-000	FAN, COOLING	1	
005	28451-ZH8-003	PULLEY, STARTER	1	8805657
006	31100-ZE1-010	FLYWHEEL COMP.	1	
010	90201-878-003	NUT, SPECIAL, 14MM	1	
011	28451-ZH8-801	PULLEY, STARTER	1	8805658

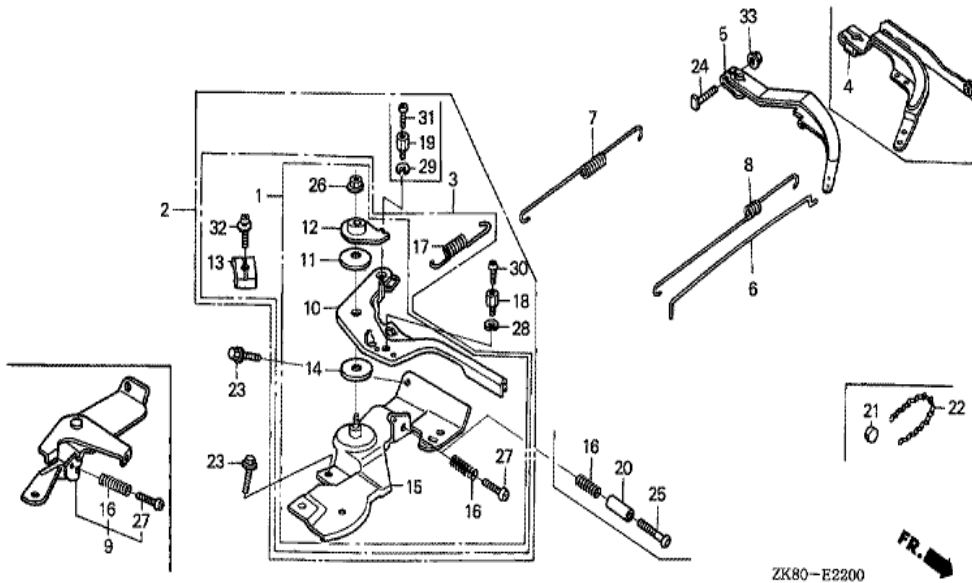




Ref	Partnumber	Description	GX160K1	Serial Numbers
001	12204-ZE1-306	GUIDE, IN. VALVE (OS)	(1)	
002	12205-ZE1-315	GUIDE, EX. VALVE (OS)	(1)	
003	12210-ZH8-405	HEAD COMP., CYLINDER	1	
004	12216-ZE5-300	CLIP, VALVE GUIDE	1	
005	12251-ZF1-800	GASKET, CYLINDER HEAD	1	
006	12310-ZE1-020	COVER COMP., HEAD	1	
007	12391-ZE1-000	PACKING, HEAD COVER	1	
008	15721-883-030	TUBE, BREATHER	1	
009	90013-883-000	BOLT, FLANGE, 6X12 (CT200)	4	
010	90043-ZB2-003	BOLT, STUD, 6X94	2	
011	90047-ZE1-000	BOLT, STUD, 8X32	2	
012	94301-10160	DOWEL PIN, 10X16	2	
014	95723-0806000	BOLT, FLANGE, 8X60	4	
Ref	Partnumber	Description	GX160K1	Serial Numbers
015	98079-56846	PLUG, SPARK (BPR6ES) (NGK)	1	
015	98079-56855	PLUG, SPARK (W20EPR-U) (DENSO)	1	



Ref	Partnumber	Description	GX160K1	Serial Numbers
001	30500-ZE1-043	COIL ASSY., IGNITION	1	8954625
001	30500-ZE1-053	COIL ASSY., IGNITION	1	8954626
002	30700-ZE1-013	CAP ASSY., NOISE SUPPRESSOR (NICHIIWA Y-E	1	
012	36101-ZB2-010	CORD, STOP SWITCH (395MM)	1	
015	90121-952-000	BOLT, FLANGE, 6X25 (CT200)	2	

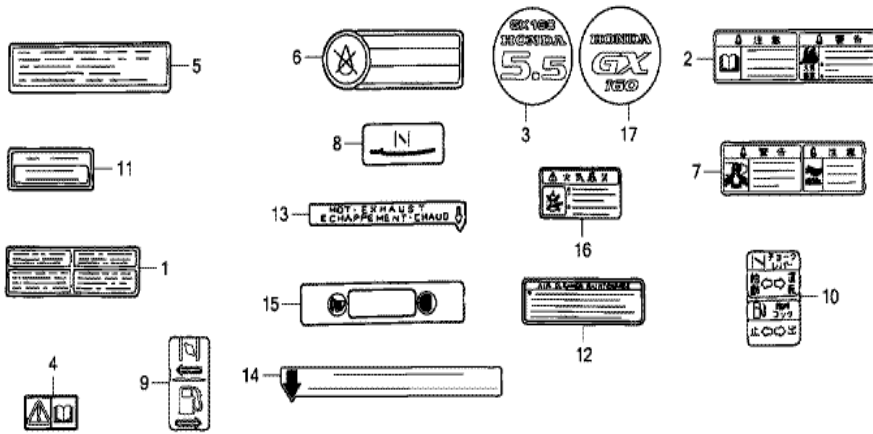


ZK80-E2200

Ref	Partnumber	Description	GX160K1	Serial Numbers
005	16551-ZE0-010	ARM, GOVERNOR	1	
006	16555-ZE1-000	ROD, GOVERNOR	1	
007	16561-ZH8-D00	SPRING, GOVERNOR	1	
008	16562-ZE1-020	SPRING, THROTTLE RETURN	1	
024	90015-ZE5-010	BOLT, GOVERNOR ARM	1	
033	94050-06000	NUT, FLANGE, 6MM	1	

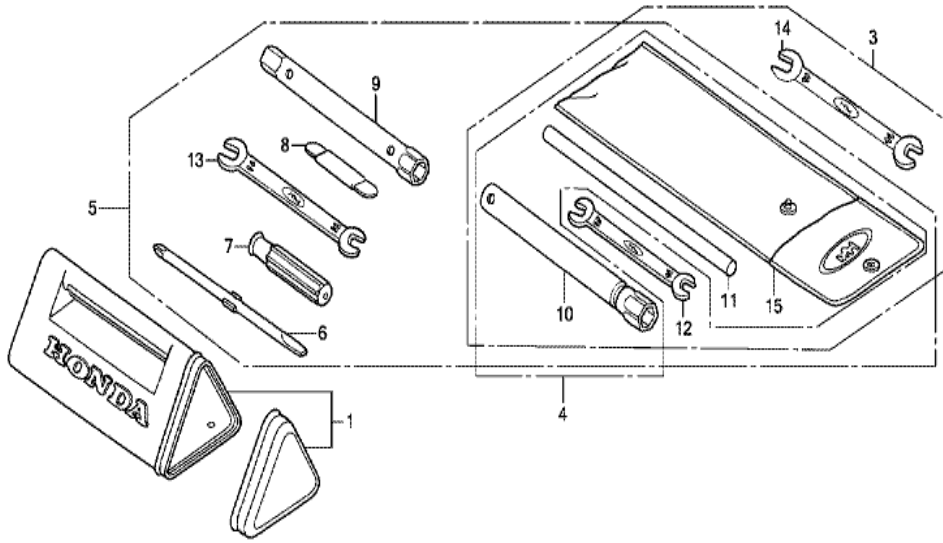


Ref	Partnumber	Description	GX160K1	Serial Numbers
007	87521-ZH8-030	EMBLEM (GX160 5.5)	1	
027	87594-ZB4-A00	MARK, OIL CAUTION	1	



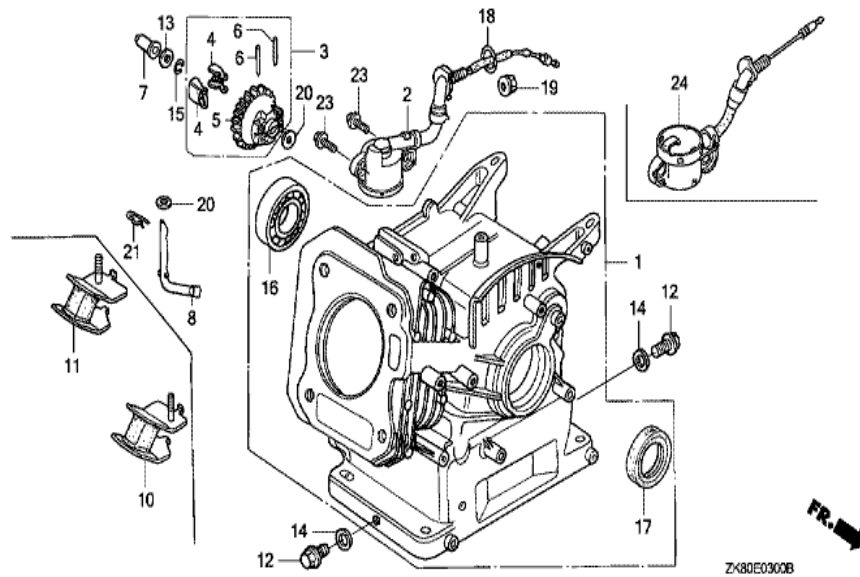
ZK80E2801A

Ref	Partnumber	Description	GX160K1	Serial Numbers
006	87522-883-660	MARK, CAUTION (ENGLISH/FRENCH/SPANISH)	1	
008	87528-ZB2-630	MARK, CHOKE	1	
012	87533-ZC0-630	MARK, AIR CLEANER (ENGLISH)	1	
013	87539-ZB2-630	MARK, EX. CAUTION	1	
015	87565-ZB4-A00	PLATE, FUEL INDICATION	1	



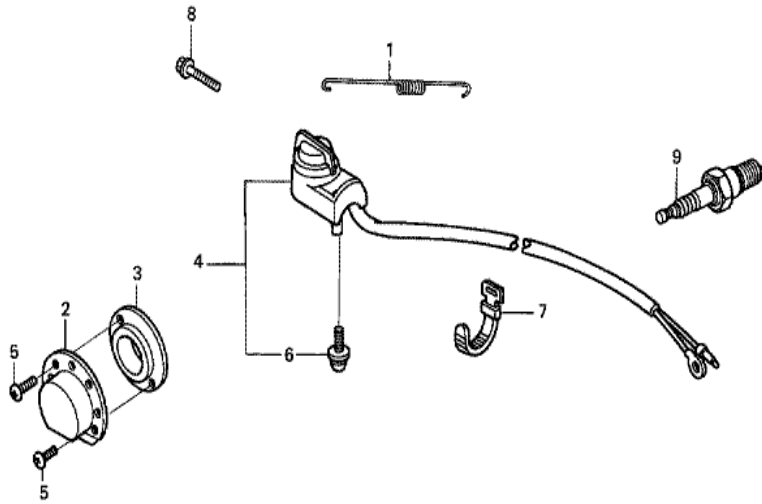
ZK80E2900A

Ref	Partnumber	Description	GX160K1	Serial Numbers
010	99004-21001	WRENCH, BOX (P21)	1	



Z480E03008

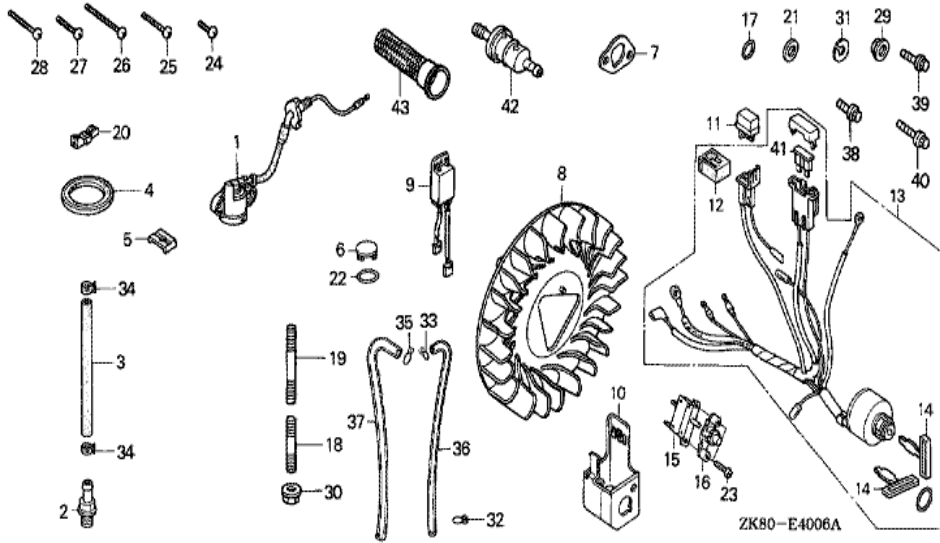
Ref	Partnumber	Description	GX160K1	Serial Numbers
001	12000-ZH8-426	BARREL ASSY., CYLINDER (OIL ALERT)	1	
002	15510-ZE1-033	SWITCH ASSY., OIL LEVEL	1	
003	16510-ZE1-000	GOVERNOR ASSY.	1	
004	16511-ZE1-000	WEIGHT, GOVERNOR	2	
005	16512-ZE1-000	HOLDER, GOVERNOR WEIGHT	1	
006	16513-ZE1-000	PIN, GOVERNOR WEIGHT	2	
007	16531-ZE1-000	SLIDER, GOVERNOR	1	
008	16541-ZE1-000	SHAFT, GOVERNOR ARM	1	
012	90131-ZE1-000	BOLT, DRAIN PLUG	2	
013	90451-ZE1-000	WASHER, THRUST, 6MM	1	
014	90601-ZE1-000	WASHER, DRAIN PLUG, 10.2MM	2	
015	90602-ZE1-000	CLIP, GOVERNOR HOLDER	1	
016	91001-ZF1-003	BEARING, RADIAL BALL (6205TMB) (NTN)	1	
Ref	Partnumber	Description	GX160K1	Serial Numbers
016	91001-ZF1-004	BEARING, RADIAL BALL (6205SH) (KOYO)	1	
017	91201-Z0T-801	OIL SEAL, 25X41X6 (NOK)	1	
018	91353-671-004	O-RING, 14MM (NOK)	1	
019	94050-10000	NUT, FLANGE, 10MM	1	
020	94101-06800	WASHER, PLAIN, 6MM	2	
021	94251-08000	PIN, LOCK, 8MM	1	
023	95701-0601200	BOLT, FLANGE, 6X12	2	



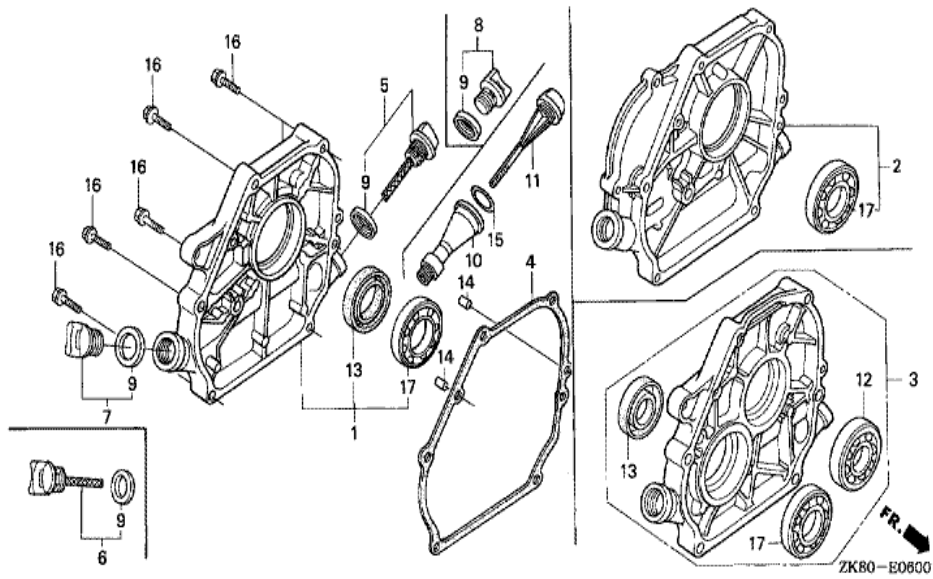
ZK80-E4000

Ref	Partnumber	Description	GX160K1	Serial Numbers
008	95801-0802018	BOLT, FLANGE, 8X20	1	

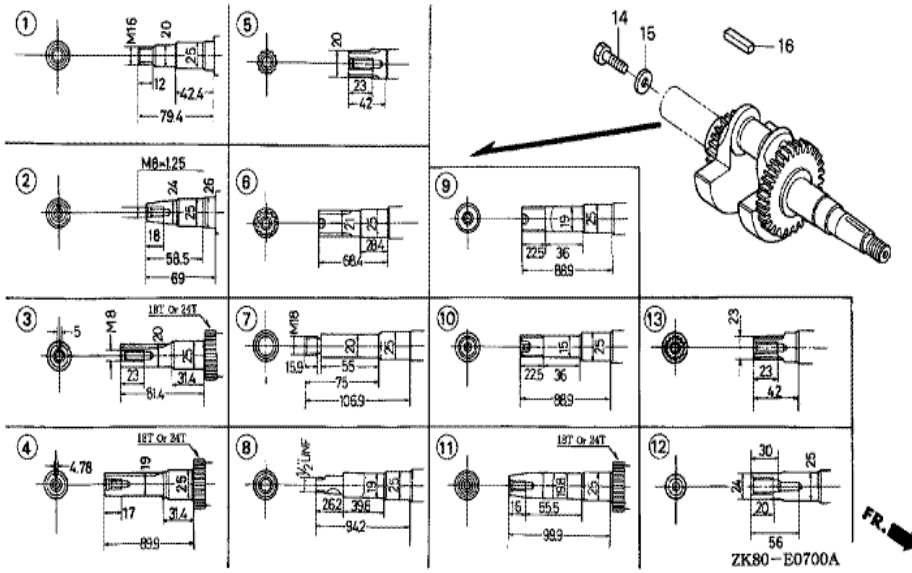




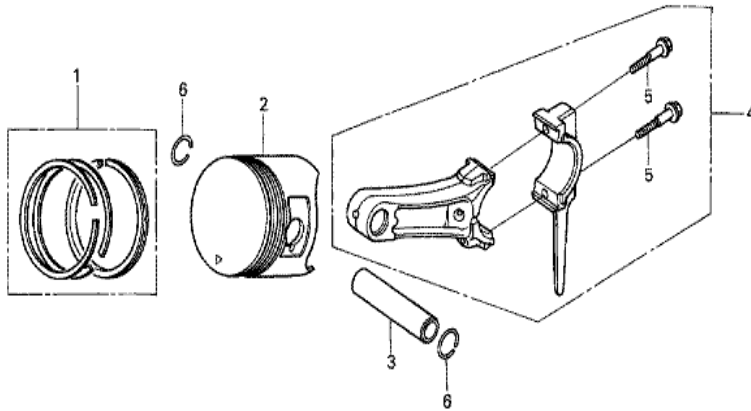
Ref	Partnumber	Description	GX160K1	Serial Numbers
029	94050-06000	NUT, FLANGE, 6MM	2	
038	95701-0601000	BOLT, FLANGE, 6X10	1	



Ref	Partnumber	Description	GX160K1	Serial Numbers
001	11300-ZE1-634	COVER ASSY., CRANKCASE	1	
004	11381-ZH8-801	PACKING, CASE COVER (NON ASBESTOS)	1	
005	15600-ZE1-003	CAP ASSY., OIL FILLER (GRAY)	1	
007	15600-ZG4-003	CAP ASSY., OIL FILLER	1	
009	15625-ZE1-003	PACKING, OIL FILLER CAP	2	
013	91201-ZOT-801	OIL SEAL, 25X41X6 (NOK)	1	
014	94301-08140	DOWEL PIN, 8X14	2	
016	95701-0803200	BOLT, FLANGE, 8X32	6	
017	96100-6205000	BEARING, RADIAL BALL, 6205	1	



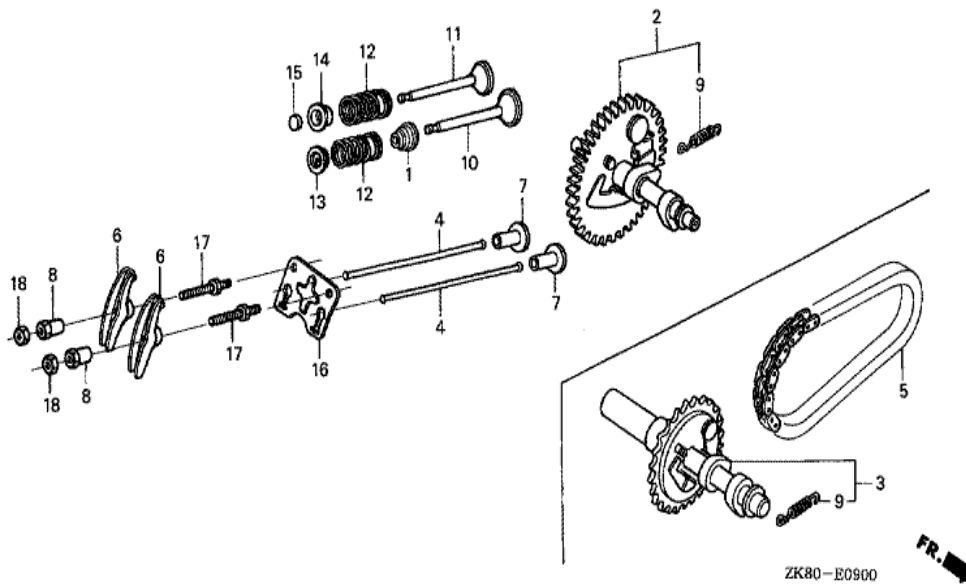
Ref	Partnumber	Description	GX160K1	Serial Numbers
002	13310-ZB2-000	CRANKSHAFT COMP.	1	



ZK80-E0800



<u>Ref</u>	<u>Partnumber</u>	<u>Description</u>	<u>GX160K1</u>	<u>Serial Numbers</u>
001	13010-ZL0-003	RING SET, PISTON (STD.) (TEIKOKU)	1	
001	13010-ZL0-004	RING SET, PISTON (STD.) (NIPPON)	1	
001	13011-ZL0-003	RING SET, PISTON (0.25) (TEIKOKU)	(1)	
001	13011-ZL0-004	RING SET, PISTON (0.25) (NIPPON)	(1)	
001	13012-ZL0-003	RING SET, PISTON (0.50) (TEIKOKU)	(1)	
001	13012-ZL0-004	RING SET, PISTON (0.50) (NIPPON)	(1)	
001	13013-ZL0-003	RING SET, PISTON (0.75) (TEIKOKU)	(1)	
001	13013-ZL0-004	RING SET, PISTON (0.75) (NIPPON)	(1)	
002	13101-ZH8-010	PISTON (STD.)	1	
002	13102-ZH8-010	PISTON (0.25)	(1)	
002	13103-ZH8-010	PISTON (0.50)	(1)	
002	13104-ZH8-010	PISTON (0.75)	(1)	
003	13111-ZE1-000	PIN, PISTON	1	
<u>Ref</u>	<u>Partnumber</u>	<u>Description</u>	<u>GX160K1</u>	<u>Serial Numbers</u>
004	13200-ZE1-010	ROD ASSY., CONNECTING (STD.)	1	
004	132A0-ZE1-000	ROD ASSY., CONNECTING (0.25 UNDER SIZE)	(1)	
005	90001-ZE1-000	BOLT, CONNECTING ROD	2	
006	90551-ZE1-000	CLIP, PISTON PIN, 18MM	2	



ZK80-E0900

Ref	Partnumber	Description	GX160K1	Serial Numbers
001	12209-ZH8-003	SEAL, VALVE STEM	1	
002	14100-ZE1-812	CAMSHAFT ASSY.	1	
004	14410-ZE1-010	ROD, PUSH	2	
006	14431-ZE1-000	ARM, VALVE ROCKER	2	
007	14441-ZE1-010	LIFTER, VALVE	2	
008	14451-ZE1-013	PIVOT, ROCKER ARM	2	
009	14568-ZE1-000	SPRING, WEIGHT RETURN	1	
010	14711-ZF1-000	VALVE, IN.	1	
011	14721-ZF1-000	VALVE, EX.	1	
012	14751-ZF1-000	SPRING, VALVE	2	
013	14771-ZE1-000	RETAINER, IN. VALVE SPRING	1	
014	14773-ZE1-000	RETAINER, EX. VALVE SPRING	1	
015	14781-ZE1-000	ROTATOR, VALVE	1	
Ref	Partnumber	Description	GX160K1	Serial Numbers
016	14791-ZE1-010	PLATE, PUSH ROD GUIDE	1	
017	90012-ZE0-010	BOLT, PIVOT, 8MM	2	
018	90206-ZE1-000	NUT, PIVOT ADJUSTING	2	