

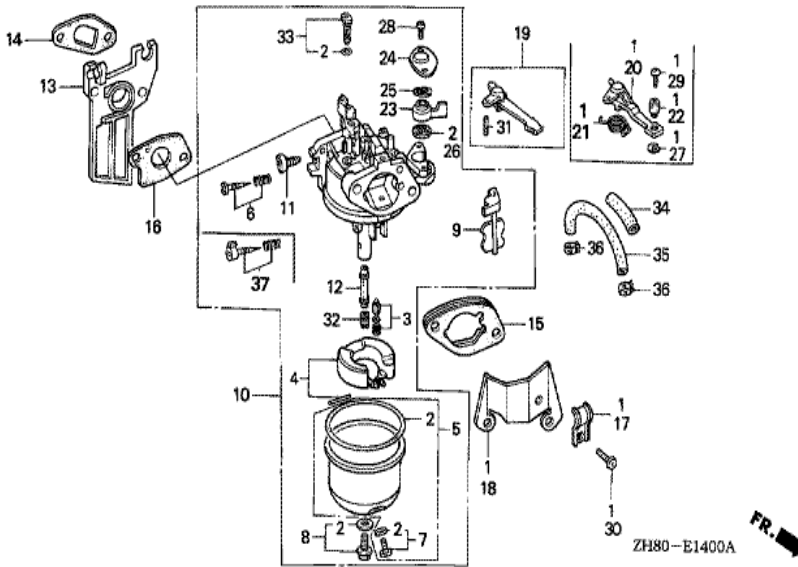


| Ref | Partnumber | Description | GX160K1 | Serial Numbers |
|-----|-----------------|------------------------------------|---------|----------------|
| 001 | 28400-ZH8-013YA | STARTER ASSY., RECOIL *R280 * | 1 | 8367073 |
| 001 | 28400-ZH8-013ZA | STARTER ASSY., RECOIL *R8 * | 1 | 8367072 |
| 002 | 28410-ZH8-003YA | CASE COMP., RECOIL STARTER *R280 * | 1 | 8367073 |
| 002 | 28410-ZH8-003ZA | CASE COMP., RECOIL STARTER *R8 * | 1 | 8367072 |
| 003 | 28420-ZH8-013 | REEL, RECOIL STARTER (NATURAL) | (1) | |
| 004 | 28422-ZH8-013 | RATCHET, STARTER | (2) | |
| 005 | 28433-ZH8-003 | GUIDE, RATCHET | (1) | |
| 006 | 28441-ZH8-003 | SPRING, FRICTION | (1) | |
| 007 | 28442-ZH8-003 | SPRING, RECOIL STARTER | (1) | |
| 008 | 28443-ZH8-003 | SPRING, RETURN | (2) | |
| 009 | 28461-ZH8-003 | GRIP, STARTER | (1) | |
| 010 | 28462-ZH8-003 | ROPE, RECOIL STARTER | (1) | |
| 012 | 90003-ZH8-003 | SCREW, SETTING | (1) | |
| Ref | Partnumber | Description | GX160K1 | Serial Numbers |
| 013 | 90008-ZE2-003 | BOLT, FLANGE, 6X10 | (3) | |



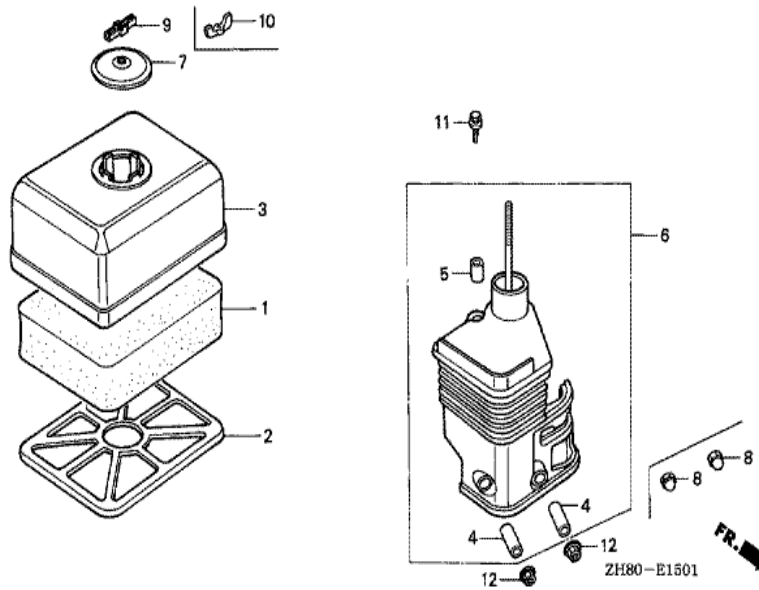
ZH80-E1200B

| Ref | Partnumber | Description | GX160K1 | Serial Numbers |
|-----|-----------------|----------------------------|---------|-----------------|
| 004 | 19610-ZE1-000ZA | COVER COMP., FAN *R8 * | 1 | 8369925 |
| 004 | 19610-ZE1-000ZP | COVER COMP., FAN *R280 * | 1 | 8369926 |
| 007 | 19612-ZH8-000 | PLATE, SIDE (STD.) | (1) | |
| 011 | 19630-ZH8-000 | SHROUD COMP. | 1 | |
| 014 | 36100-ZE1-015 | SWITCH ASSY., ENGINE STOP | 1 | 2468253 4368640 |
| 015 | 36101-ZE1-010 | CORD, STOP SWITCH (370MM) | (1) | |
| 017 | 90013-883-000 | BOLT, FLANGE, 6X12 (CT200) | 4 | |
| 018 | 90022-888-010 | BOLT, FLANGE, 6X20 (CT200) | (1) | |



| Ref | Partnumber | Description | GX160K1 | Serial Numbers |
|-----|---------------|----------------------------|---------|-----------------|
| 002 | 16010-ZE0-025 | GASKET SET | (1) | |
| 003 | 16011-ZE0-005 | VALVE SET, FLOAT | (1) | |
| 004 | 16013-ZE0-005 | FLOAT SET | (1) | |
| 005 | 16015-ZE0-831 | CHAMBER SET, FLOAT | 1 | BE06H C |
| 005 | 16015-ZE1-811 | CHAMBER SET, FLOAT | 1 | BE06H B |
| 006 | 16016-ZE0-005 | SCREW SET, PILOT | 1 | BE06H C |
| 007 | 16024-ZE1-811 | SCREW SET, DRAIN | (1) | |
| 008 | 16028-ZE0-005 | SCREW SET | (1) | |
| 009 | 16044-ZE0-005 | CHOKE SET | 1 | BE06H B |
| 010 | 16100-ZH8-810 | CARBURETOR ASSY. (BE06H A) | (1) | 2895090 |
| 010 | 16100-ZH8-811 | CARBURETOR ASSY. (BE06H B) | 1 | 2895091 4012407 |
| 010 | 16100-ZH8-812 | CARBURETOR ASSY. (BE06H C) | 1 | 4012408 6276049 |
| 010 | 16100-ZH8-W71 | CARBURETOR ASSY. (BE66E B) | 1 | 6276050 |

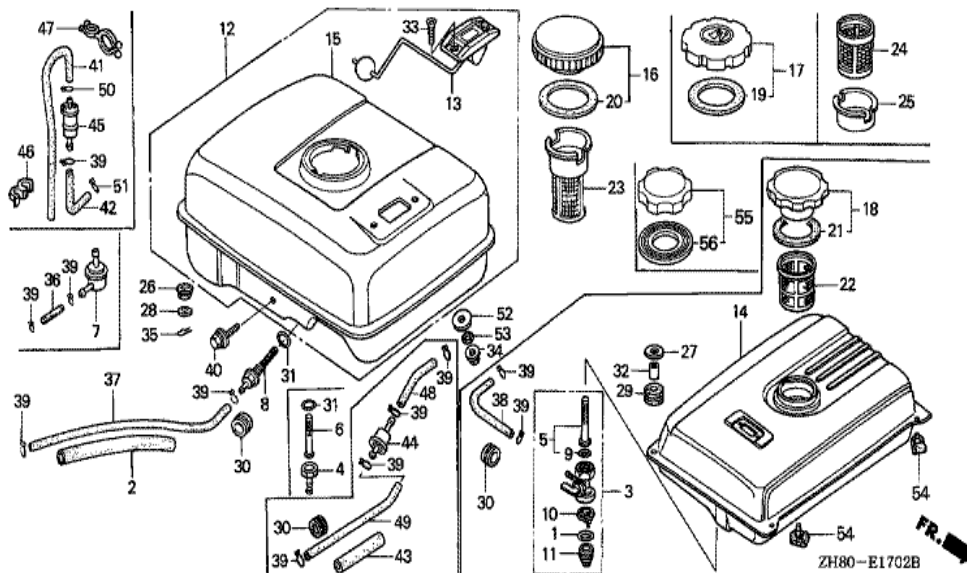
| <u>Ref</u> | <u>Partnumber</u> | <u>Description</u> | <u>GX160K1</u> | <u>Serial Numbers</u> |
|------------|-------------------|---------------------------|----------------|-----------------------|
| 011 | 16124-ZE0-005 | SCREW, THROTTLE STOP | (1) | |
| 012 | 16166-ZH8-810 | NOZZLE, MAIN | (1) | BE06H A |
| 012 | 16166-ZH8-W50 | NOZZLE, MAIN | 1 | BE06H B |
| 013 | 16211-ZE1-000 | INSULATOR, CARBURETOR | 1 | |
| 014 | 16212-ZH8-800 | PACKING, INSULATOR | (1) | |
| 015 | 16220-ZE1-020 | SPACER COMP., CARBURETOR | 1 | |
| 016 | 16221-ZH8-801 | PACKING, CARBURETOR | (1) | |
| 019 | 16610-ZE1-000 | LEVER COMP., CHOKE (STD.) | (1) | |
| 023 | 16953-ZE1-812 | LEVER, COCK | (1) | |
| 024 | 16954-ZE1-812 | PLATE, LEVER SETTING | (1) | |
| 025 | 16956-ZE1-811 | SPRING, COCK LEVER | (1) | |
| 026 | 16957-ZE1-812 | PACKING, FUEL COCK | (1) | |
| 028 | 93500-030061H | SCREW, PAN, 3X6 | 2 | BE06H C |
| 028 | 93500-030081G | SCREW, PAN, 3X8 | (2) | BE06H B |
| 031 | 94305-20122 | PIN, SPRING, 2X12 | (1) | |
| 032 | 99101-ZF50680 | JET, MAIN, #68 | (1) | BE06H A |
| 032 | 99101-ZF50700 | JET, MAIN, #70 | (1) | BE06H A |
| 032 | 99101-ZF50720 | JET, MAIN, #72 | 1 | BE06H A |
| 032 | 99101-ZH70650 | JET, MAIN, #65 | (1) | BE06H B BE06H B |
| 032 | 99101-ZH70680 | JET, MAIN, #68 | (1) | BE06H B BE06H B |
| 032 | 99101-ZH70700 | JET, MAIN, #70 | 1 | BE06H B BE06H B |
| 032 | 99101-ZH80650 | JET, MAIN, #65 | (1) | BE06H C |
| 032 | 99101-ZH80680 | JET, MAIN, #68 | (1) | BE06H C |
| 032 | 99101-ZH80700 | JET, MAIN, #70 | 1 | BE06H C |
| 033 | 99204-ZE00350 | JET SET, PILOT, #35 | 1 | |
| 033 | 99204-ZE00380 | JET SET, PILOT, #38 | (1) | BE06H A |
| 037 | 16016-ZH7-W01 | SCREW SET, PILOT | 1 | BE66E B |



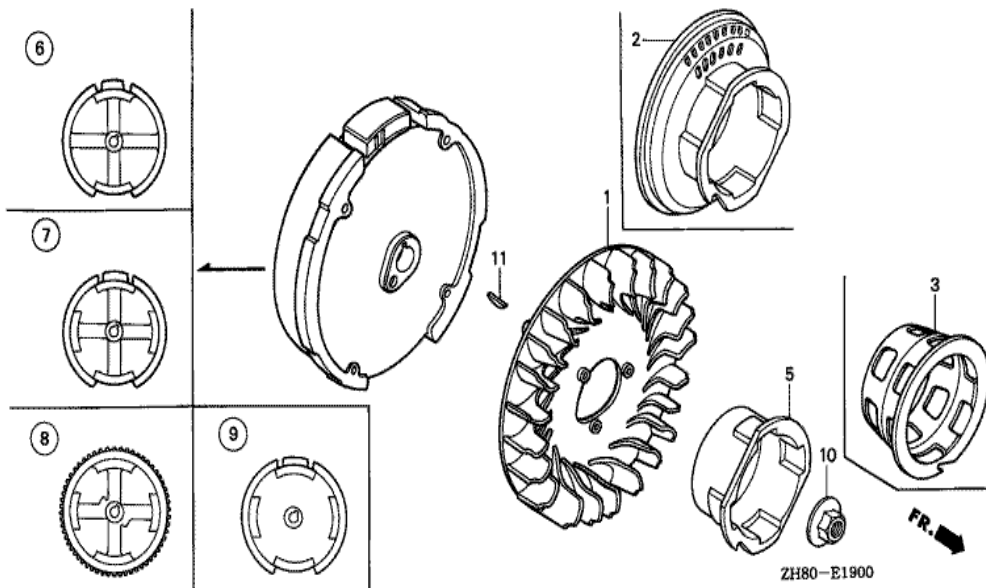
| Ref | Partnumber | Description | GX160K1 | Serial Numbers |
|-----|---------------|--|---------|-----------------|
| 001 | 17211-ZE1-000 | ELEMENT, AIR CLEANER (SEMI DRY) | (1) | |
| 002 | 17212-ZE1-000 | GRID, AIR CLEANER (SEMI DRY) | (1) | |
| 003 | 17231-ZE1-000 | COVER, AIR CLEANER (SEMI DRY) | (1) | |
| 004 | 17238-ZE7-010 | COLLAR, AIR CLEANER | (2) | |
| 005 | 17239-ZE1-000 | COLLAR B, AIR CLEANER | (1) | |
| 006 | 17410-ZE1-020 | ELBOW COMP., AIR CLEANER | (1) | |
| 007 | 17421-ZE1-000 | CAP, CLEANER | (1) | |
| 008 | 90201-415-000 | NUT, CAP, 6MM | 2 | 2708121 |
| 009 | 90203-PB2-000 | NUT, AIR CLEANER COVER (DACRO COATING) | (1) | 2468252 |
| 009 | 90203-ZA0-800 | NUT, WING, 6MM (BLACK) | 1 | 2468253 2836833 |
| 010 | 90325-044-000 | NUT, TOOL BOX SETTING | 1 | 2836834 |
| 011 | 93494-0602008 | BOLT-WASHER, 6X20 | (1) | |
| 012 | 94050-06000 | NUT, FLANGE, 6MM | 2 | 2708122 |



| Ref | Partnumber | Description | GX160K1 | Serial Numbers |
|-----|---------------|-----------------------------------|---------|-----------------|
| 002 | 18310-ZF1-000 | MUFFLER COMP. (STD.) | (1) | |
| 003 | 18320-ZF1-H00 | PROTECTOR, MUFFLER (STD.) | 1 | 2081154 3244959 |
| 003 | 18320-ZF1-H01 | PROTECTOR, MUFFLER (STD.) (BLACK) | 1 | 3244960 |
| 003 | 18321-ZH8-000 | PROTECTOR, UPPER | (1) | 2081153 |
| 007 | 18381-ZH8-800 | GASKET, MUFFLER | (1) | |
| 014 | 90050-ZE1-000 | SCREW, TAPPING, 5X8 | (4) | |
| 022 | 94001-080000S | NUT, HEX., 8MM | 2 | |



| Ref | Partnumber | Description | GX160K1 | Serial Numbers |
|-----|-----------------|--|---------|-----------------|
| 002 | 16854-ZH8-000 | RUBBER, SUPPORTER (107MM) | (1) | |
| 008 | 16955-ZE1-000 | JOINT, FUEL TANK | (1) | |
| 015 | 17510-ZE1-020ZA | TANK COMP., FUEL *NH31 * | (1) | |
| 016 | 17620-ZE2-W00 | CAP COMP., FUEL FILLER (CHROME PLATED) | 1 | 3063877 |
| 017 | 17620-ZH7-013 | CAP COMP., FUEL FILLER | 1 | 3063878 4705772 |
| 017 | 17620-ZH7-023 | CAP COMP., FUEL FILLER (BLACK) | 1 | 4705773 8542059 |
| 019 | 17631-ZH7-003 | PACKING, FUEL FILLER CAP (39X58X3) | 1 | 3063878 8542059 |
| 020 | 17631-329-003 | PACKING, FUEL FILLER CAP (39X58X3) | 1 | 3063877 |
| 031 | 91353-671-004 | O-RING, 14MM (NOK) | (1) | |
| 034 | 94050-06000 | NUT, FLANGE, 6MM | (2) | |
| 037 | 95001-4514040 | TUBE, FUEL, 4.5X140 (95001-45001-60M) | (1) | |
| 039 | 95002-02080 | CLIP, TUBE (B8) | (2) | |
| 040 | 95900-0602500 | BOLT, FLANGE, 6X25 | (1) | |
| Ref | Partnumber | Description | GX160K1 | Serial Numbers |
| 055 | 17620-ZOT-814 | CAP COMP., FUEL FILLER (CHROME PLATED) (| (1) | 8542060 |
| 056 | 17631-ZOT-812 | PACKING, FUEL FILLER CAP (39X62X3) (TOUY | (1) | 8542060 |

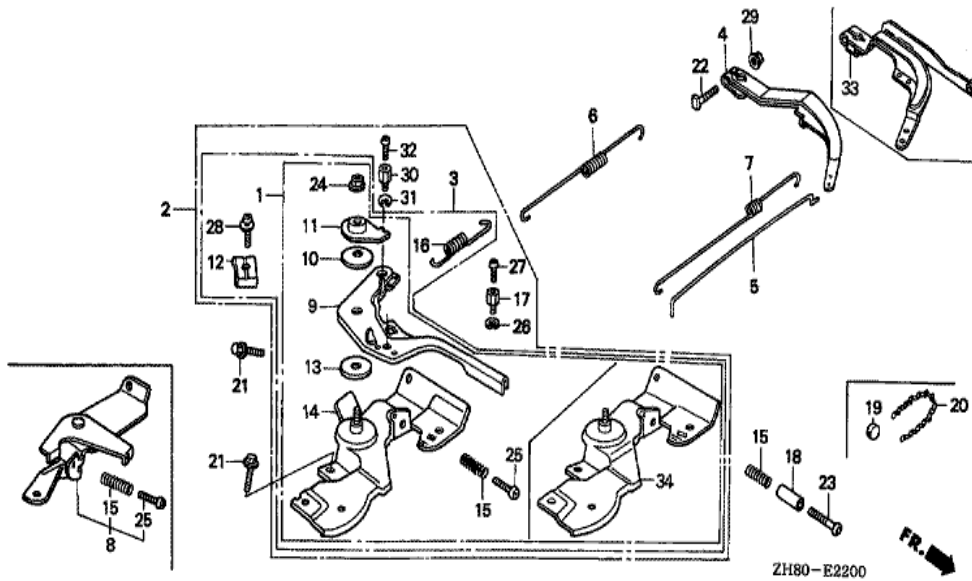


ZH80-E1900

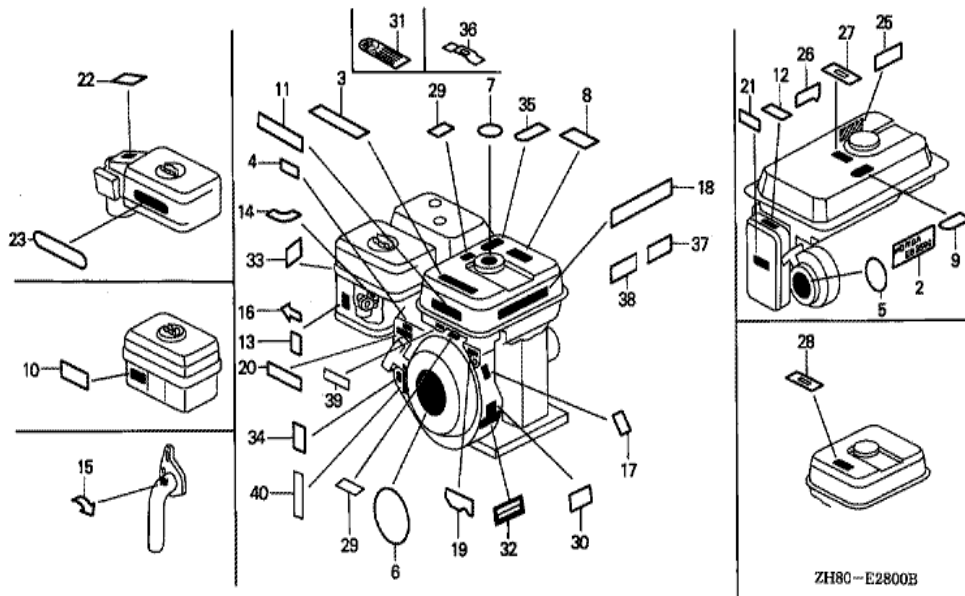
| Ref | Partnumber | Description | GX160K1 | Serial Numbers |
|-----|---------------|------------------------------|---------|----------------|
| 001 | 19511-ZE1-000 | FAN, COOLING | 1 | |
| 005 | 28451-ZH8-003 | PULLEY, STARTER | (1) | |
| 006 | 31100-ZE1-010 | FLYWHEEL COMP. | (1) | |
| 010 | 90201-878-003 | NUT, SPECIAL, 14MM | 1 | |
| 011 | 13331-357-000 | KEY, SPECIAL WOODRUFF, 25X18 | 1 | |



| Ref | Partnumber | Description | GX160K1 | Serial Numbers |
|-----|---------------|---|---------|----------------|
| 001 | 30500-ZE1-033 | COIL ASSY., IGNITION | 1 | 8074561 |
| 002 | 30600-ZE1-013 | TERMINAL ASSY., HIGH TENSION (NICHIIWA Y- | 1 | 6276049 |
| 002 | 30700-ZE1-013 | CAP ASSY., NOISE SUPPRESSOR (NICHIIWA Y-E | 1 | 6276050 |
| 014 | 90121-952-000 | BOLT, FLANGE, 6X25 (CT200) | 2 | |



| Ref | Partnumber | Description | GX160K1 | Serial Numbers |
|-----|---------------|------------------------------|---------|-----------------|
| 003 | 16500-ZH8-820 | CONTROL ASSY. (REMOTE) | 1 | 3393321 |
| 003 | 16500-ZH8-821 | CONTROL ASSY. (REMOTE) | 1 | 3393322 5551817 |
| 003 | 16500-ZH8-822 | CONTROL ASSY. (REMOTE) | 1 | 5551818 6331304 |
| 003 | 16500-ZH8-823 | CONTROL ASSY. (REMOTE) | 1 | 6331305 |
| 004 | 16551-ZE0-010 | ARM, GOVERNOR | 1 | 4913229 |
| 005 | 16555-ZE1-000 | ROD, GOVERNOR | 1 | |
| 006 | 16561-ZE1-020 | SPRING, GOVERNOR | 1 | |
| 007 | 16562-ZE1-020 | SPRING, THROTTLE RETURN | 1 | |
| 009 | 16571-ZH8-000 | LEVER, CONTROL | 1 | 5551817 |
| 009 | 16571-ZH8-010 | LEVER, CONTROL | 1 | 5551818 6331304 |
| 009 | 16571-ZH8-020 | LEVER, CONTROL | 1 | 6331305 |
| 010 | 16574-ZE1-000 | SPRING, LEVER | (1) | |
| 011 | 16575-ZH8-000 | WASHER, CONTROL LEVER | (1) | |
| Ref | Partnumber | Description | GX160K1 | Serial Numbers |
| 012 | 16576-891-000 | HOLDER, CABLE | (1) | |
| 013 | 16578-ZE1-000 | SPACER, CONTROL LEVER | (1) | |
| 014 | 16580-ZH8-810 | BASE COMP., CONTROL (REMOTE) | (1) | 3393321 |
| 015 | 16584-883-300 | SPRING, CONTROL ADJUSTING | (1) | |
| 016 | 16592-ZE1-810 | SPRING, CABLE RETURN | (1) | |
| 021 | 90013-883-000 | BOLT, FLANGE, 6X12 (CT200) | 2 | |
| 022 | 90015-ZE5-010 | BOLT, GOVERNOR ARM | 1 | |
| 024 | 90114-SA0-000 | NUT, SELF-LOCK, 6MM | (1) | |
| 025 | 93500-050250H | SCREW, PAN, 5X25 | (1) | |
| 028 | 93500-050160A | SCREW, PAN, 5X16 | 1 | 2740508 |
| 028 | 93893-0501600 | SCREW-WASHER, 5X16 | 1 | 2740507 |
| 029 | 94050-06000 | NUT, FLANGE, 6MM | 1 | |
| 034 | 16580-ZH8-811 | BASE COMP., CONTROL (REMOTE) | 1 | 3393322 5551817 |
| 034 | 16580-ZH8-812 | BASE COMP., CONTROL (REMOTE) | 1 | 5551818 6331304 |
| 034 | 16580-ZH8-813 | BASE COMP., CONTROL (REMOTE) | 1 | 6331305 |



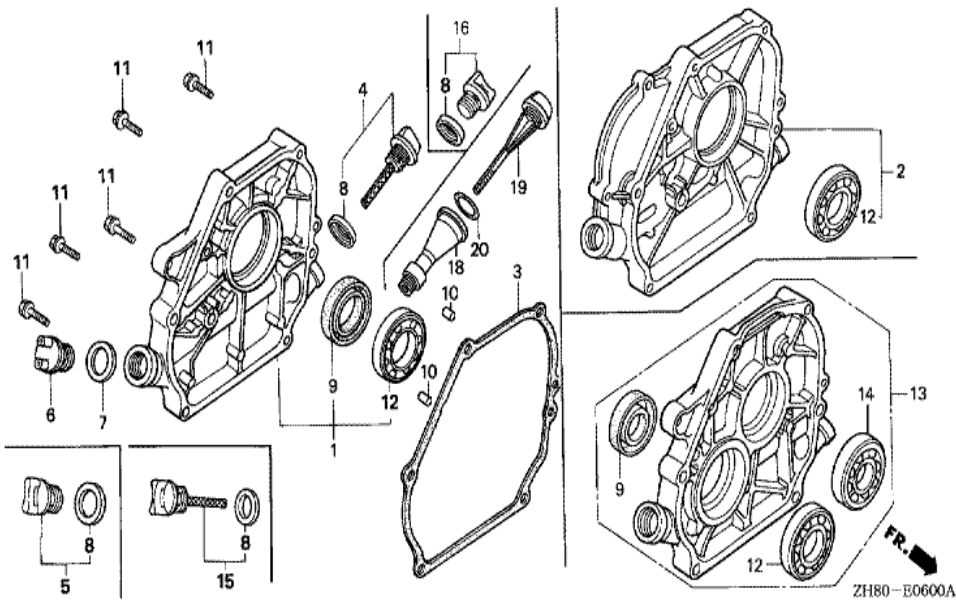
ZH80-E2800B

| Ref | Partnumber | Description | GX160K1 | Serial Numbers |
|-----|---------------|--------------------------------|---------|-----------------|
| 003 | 87522-ZH9-010 | LABEL, CAUTION (ENGLISH, ETC.) | (1) | |
| 006 | 87521-ZH8-010 | EMBLEM (5.5) | 1 | 2468253 7438467 |
| 006 | 87521-ZH8-020 | EMBLEM (GX160 5.5) | 1 | 7438468 8367036 |
| 006 | 87521-ZH8-030 | EMBLEM (GX160 5.5) | 1 | 8367037 |
| 006 | 87521-ZH8-810 | EMBLEM (5.5HP) | (1) | 2468252 |
| 007 | 87522-ZE1-810 | MARK, CAUTION | 1 | 3063877 |
| 017 | 87530-ZH8-810 | LABEL, SPECIFICATION (5.5HP) | (1) | |



ZH80-E0300B

| Ref | Partnumber | Description | GX160K1 | Serial Numbers |
|-----|---------------|--------------------------------------|---------|-----------------|
| 002 | 12000-ZH8-000 | BARREL ASSY., CYLINDER | 1 | 4193707 |
| 002 | 12000-ZH8-415 | BARREL ASSY., CYLINDER | 1 | 4193708 8565637 |
| 002 | 12000-ZH8-425 | BARREL ASSY., CYLINDER | 1 | 8565638 |
| 004 | 16510-ZE1-000 | GOVERNOR ASSY. | 1 | 4913229 |
| 005 | 16511-ZE1-000 | WEIGHT, GOVERNOR | 2 | 4913229 |
| 006 | 16512-ZE1-000 | HOLDER, GOVERNOR WEIGHT | 1 | 4913229 |
| 007 | 16513-ZE1-000 | PIN, GOVERNOR WEIGHT | 2 | 4913229 |
| 008 | 16531-ZE1-000 | SLIDER, GOVERNOR | 1 | |
| 009 | 16541-ZE1-000 | SHAFT, GOVERNOR ARM | 1 | |
| 012 | 90131-ZE1-000 | BOLT, DRAIN PLUG | 2 | |
| 013 | 90451-ZE1-000 | WASHER, THRUST, 6MM | 1 | |
| 014 | 90601-ZE1-000 | WASHER, DRAIN PLUG, 10.2MM | 2 | |
| 015 | 90602-ZE1-000 | CLIP, GOVERNOR HOLDER | 1 | |
| Ref | Partnumber | Description | GX160K1 | Serial Numbers |
| 016 | 91001-ZF1-003 | BEARING, RADIAL BALL (6205TMB) (NTN) | 1 | |
| 016 | 91001-ZF1-004 | BEARING, RADIAL BALL (6205SH) (KOYO) | 1 | |
| 017 | 91201-Z0T-801 | OIL SEAL, 25X41X6 (NOK) | 1 | 8565638 |
| 017 | 91202-883-005 | OIL SEAL, 25X41X6 | 1 | 8565637 |
| 020 | 94101-06800 | WASHER, PLAIN, 6MM | 2 | |
| 021 | 94251-08000 | PIN, LOCK, 8MM | 1 | |



| Ref | Partnumber | Description | GX160K1 | Serial Numbers |
|-----|---------------|------------------------------------|---------|----------------|
| 001 | 11300-ZE1-633 | COVER ASSY., CRANKCASE | 1 | 8565637 |
| 001 | 11300-ZE1-634 | COVER ASSY., CRANKCASE | 1 | 8565638 |
| 003 | 11381-ZH8-800 | PACKING, CASE COVER (NON ASBESTOS) | 1 | 3413169 |
| 003 | 11381-ZH8-801 | PACKING, CASE COVER (NON ASBESTOS) | 1 | 3413170 |
| 004 | 15600-ZE1-000 | CAP ASSY., OIL FILLER (GRAY) | 1 | 2966709 |
| 004 | 15600-ZE1-003 | CAP ASSY., OIL FILLER (GRAY) | 1 | 2966710 |
| 005 | 15600-ZG4-003 | CAP ASSY., OIL FILLER | 1 | 2966710 |
| 007 | 15621-896-010 | PACKING, OIL FILLER CAP | 1 | 2966709 |
| 008 | 15625-ZE1-000 | PACKING, OIL FILLER CAP | 1 | 2966709 |
| 008 | 15625-ZE1-003 | PACKING, OIL FILLER CAP | 2 | 2966710 |
| 009 | 91201-ZOT-801 | OIL SEAL, 25X41X6 (NOK) | 1 | 8571218 |
| 009 | 91202-883-005 | OIL SEAL, 25X41X6 | 1 | 8571217 |
| 010 | 94301-08140 | DOWEL PIN, 8X14 | 2 | |
| Ref | Partnumber | Description | GX160K1 | Serial Numbers |
| 011 | 95701-0803200 | BOLT, FLANGE, 8X32 | 6 | |
| 012 | 96100-6205000 | BEARING, RADIAL BALL, 6205 | 1 | |



| Ref | Partnumber | Description | GX160K1 | Serial Numbers |
|-----|---------------|------------------------|---------|----------------|
| 003 | 13310-ZE1-000 | CRANKSHAFT COMP. (24T) | 1 | |
| 015 | 90741-883-810 | KEY, 5X5X33 (YELLOW) | (1) | |

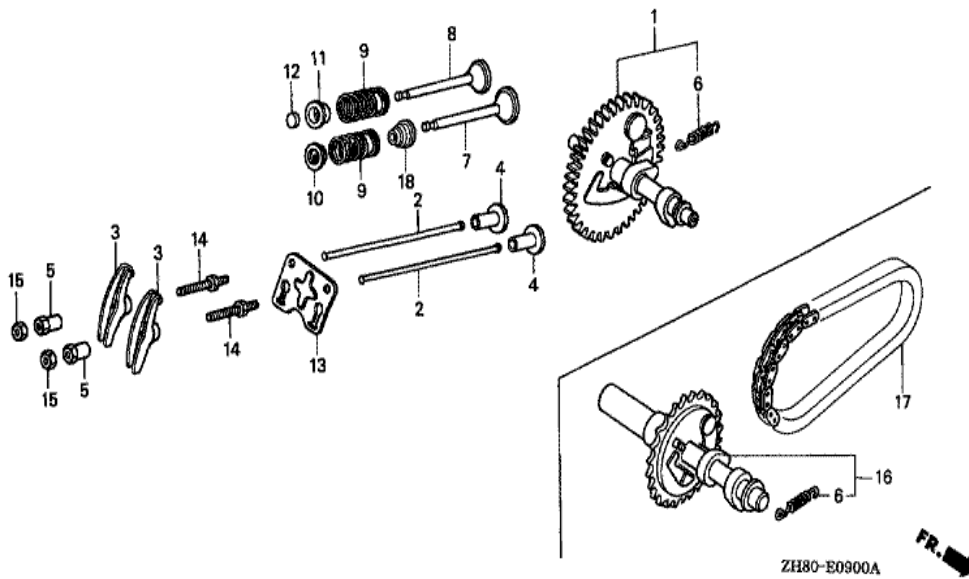


ZH80-E0800

FR. →

| Ref | Partnumber | Description | GX160K1 | Serial Numbers |
|-----|---------------|-----------------------------------|---------|-----------------|
| 001 | 13010-ZF1-023 | RING SET, PISTON (STD.) (TEIKOKU) | 1 | 5495899 |
| 001 | 13010-ZF1-024 | RING SET, PISTON (STD.) (NIPPON) | 1 | 5495899 |
| 001 | 13010-ZH8-941 | RING SET, PISTON (STD.) (TEIKOKU) | 1 | 5495900 7603338 |
| 001 | 13010-ZH8-942 | RING SET, PISTON (STD.) (NIPPON) | 1 | 5495900 7603338 |
| 001 | 13010-ZL0-003 | RING SET, PISTON (STD.) (TEIKOKU) | 1 | 7603339 |
| 001 | 13010-ZL0-004 | RING SET, PISTON (STD.) (NIPPON) | 1 | 7603339 |
| 001 | 13011-ZF1-023 | RING SET, PISTON (0.25) (TEIKOKU) | (1) | 5495899 |
| 001 | 13011-ZF1-024 | RING SET, PISTON (0.25) (NIPPON) | (1) | 5495899 |
| 001 | 13011-ZH8-941 | RING SET, PISTON (0.25) (TEIKOKU) | (1) | 5495900 7603338 |
| 001 | 13011-ZH8-942 | RING SET, PISTON (0.25) (NIPPON) | (1) | 5495900 7603338 |
| 001 | 13011-ZL0-003 | RING SET, PISTON (0.25) (TEIKOKU) | (1) | 7603339 |
| 001 | 13011-ZL0-004 | RING SET, PISTON (0.25) (NIPPON) | (1) | 7603339 |
| 001 | 13012-ZF1-023 | RING SET, PISTON (0.50) (TEIKOKU) | (1) | 5495899 |

| <u>Ref</u> | <u>Partnumber</u> | <u>Description</u> | <u>GX160K1</u> | <u>Serial Numbers</u> |
|------------|-------------------|---|----------------|-----------------------|
| 001 | 13012-ZF1-024 | RING SET, PISTON (0.50) (NIPPON) | (1) | 5495899 |
| 001 | 13012-ZH8-941 | RING SET, PISTON (0.50) (TEIKOKU) | (1) | 5495900 7603338 |
| 001 | 13012-ZH8-942 | RING SET, PISTON (0.50) (NIPPON) | (1) | 5495900 7603338 |
| 001 | 13012-ZL0-003 | RING SET, PISTON (0.50) (TEIKOKU) | (1) | 7603339 |
| 001 | 13012-ZL0-004 | RING SET, PISTON (0.50) (NIPPON) | (1) | 7603339 |
| 001 | 13013-ZF1-023 | RING SET, PISTON (0.75) (TEIKOKU) | (1) | 5495899 |
| 001 | 13013-ZF1-024 | RING SET, PISTON (0.75) (NIPPON) | (1) | 5495899 |
| 001 | 13013-ZH8-941 | RING SET, PISTON (0.75) (TEIKOKU) | (1) | 5495900 7603338 |
| 001 | 13013-ZH8-942 | RING SET, PISTON (0.75) (NIPPON) | (1) | 5495900 7603338 |
| 001 | 13013-ZL0-003 | RING SET, PISTON (0.75) (TEIKOKU) | (1) | 7603339 |
| 001 | 13013-ZL0-004 | RING SET, PISTON (0.75) (NIPPON) | (1) | 7603339 |
| 002 | 13101-ZH8-000 | PISTON (STD.) | 1 | 7603338 |
| 002 | 13101-ZH8-010 | PISTON (STD.) | 1 | 7603339 |
| 002 | 13102-ZH8-000 | PISTON (0.25) | (1) | 7603338 |
| 002 | 13102-ZH8-010 | PISTON (0.25) | (1) | 7603339 |
| 002 | 13103-ZH8-000 | PISTON (0.50) | (1) | 7603338 |
| 002 | 13103-ZH8-010 | PISTON (0.50) | (1) | 7603339 |
| 002 | 13104-ZH8-000 | PISTON (0.75) | (1) | 7603338 |
| 002 | 13104-ZH8-010 | PISTON (0.75) | (1) | 7603339 |
| 003 | 13111-ZE1-000 | PIN, PISTON | 1 | |
| 004 | 13200-ZE1-010 | ROD ASSY., CONNECTING (STD.) | 1 | |
| 004 | 132A0-ZE1-000 | ROD ASSY., CONNECTING (0.25 UNDER SIZE) | (1) | |
| 005 | 90001-ZE1-000 | BOLT, CONNECTING ROD | 2 | |
| 006 | 90551-ZE1-000 | CLIP, PISTON PIN, 18MM | 2 | |



| Ref | Partnumber | Description | GX160K1 | Serial Numbers |
|-----|---------------|----------------------------|---------|----------------|
| 001 | 14100-ZE1-812 | CAMSHAFT ASSY. | 1 | 4913229 |
| 002 | 14410-ZE1-010 | ROD, PUSH | 2 | |
| 003 | 14431-ZE1-000 | ARM, VALVE ROCKER | 2 | |
| 004 | 14441-ZE1-010 | LIFTER, VALVE | 2 | |
| 005 | 14451-ZE1-013 | PIVOT, ROCKER ARM | 2 | |
| 006 | 14568-ZE1-000 | SPRING, WEIGHT RETURN | 1 | |
| 007 | 14711-ZF1-000 | VALVE, IN. | 1 | |
| 008 | 14721-ZF1-000 | VALVE, EX. | 1 | |
| 009 | 14751-ZF1-000 | SPRING, VALVE | 2 | |
| 010 | 14771-ZE1-000 | RETAINER, IN. VALVE SPRING | 1 | |
| 011 | 14773-ZE1-000 | RETAINER, EX. VALVE SPRING | 1 | |
| 012 | 14781-ZE1-000 | ROTATOR, VALVE | 1 | |
| 013 | 14791-ZE1-010 | PLATE, PUSH ROD GUIDE | 1 | |
| Ref | Partnumber | Description | GX160K1 | Serial Numbers |
| 014 | 90012-ZE0-010 | BOLT, PIVOT, 8MM | 2 | |
| 015 | 90206-ZE1-000 | NUT, PIVOT ADJUSTING | 2 | |
| 018 | 12209-ZH8-003 | SEAL, VALVE STEM | 1 | 7664037 |

GX160K1(SD)

EOP-1 GASKET KIT



HENG-X0003

| <u>Ref</u> | <u>Partnumber</u> | <u>Description</u> | <u>GX160K1</u> | <u>Serial Numbers</u> |
|------------|-------------------|--------------------|----------------|-----------------------|
| 001 | 061A1-ZH8-020 | GASKET KIT | 1 | 3413169 |