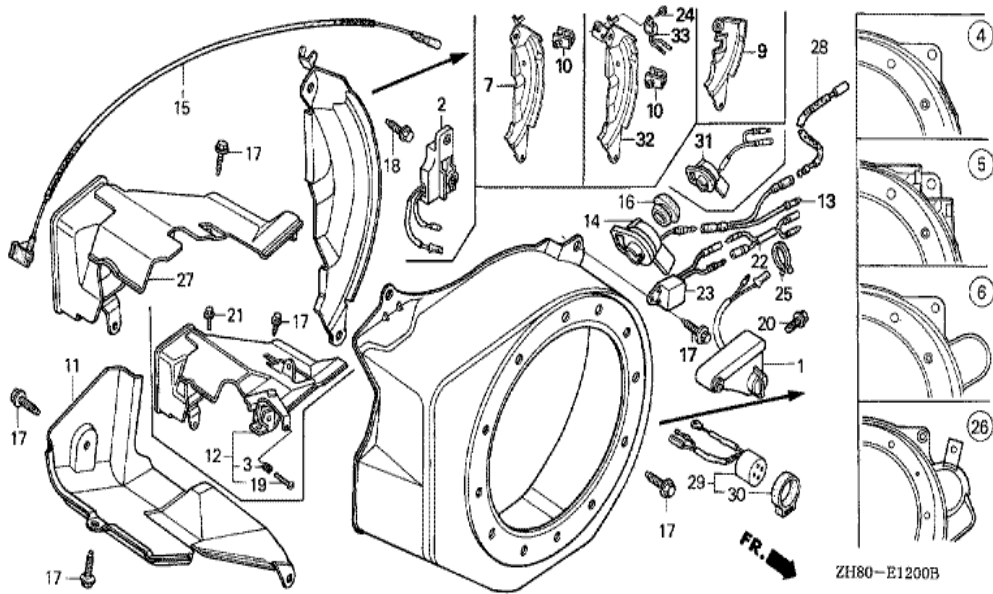
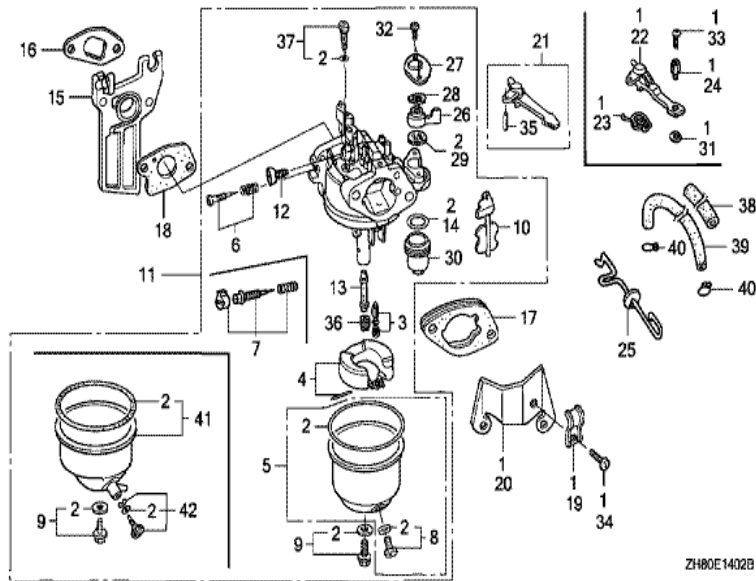




Ref	Partnumber	Description	GX160K1	Serial Numbers
001	28400-ZH8-013YA	STARTER ASSY., RECOIL *R280 *	1	8367073
001	28400-ZH8-013ZA	STARTER ASSY., RECOIL *R8 *	1	8367072
002	28410-ZH8-003YA	CASE COMP., RECOIL STARTER *R280 *	1	8367073
002	28410-ZH8-003ZA	CASE COMP., RECOIL STARTER *R8 *	1	8367072
003	28420-ZH8-013	REEL, RECOIL STARTER (NATURAL)	(1)	
004	28422-ZH8-013	RATCHET, STARTER	(2)	
005	28433-ZH8-003	GUIDE, RATCHET	(1)	
006	28441-ZH8-003	SPRING, FRICTION	(1)	
007	28442-ZH8-003	SPRING, RECOIL STARTER	(1)	
008	28443-ZH8-003	SPRING, RETURN	(2)	
009	28461-ZH8-003	GRIP, STARTER	(1)	
010	28462-ZH8-003	ROPE, RECOIL STARTER	(1)	
012	90003-ZH8-003	SCREW, SETTING	(1)	
Ref	Partnumber	Description	GX160K1	Serial Numbers
013	90008-ZE2-003	BOLT, FLANGE, 6X10	(3)	



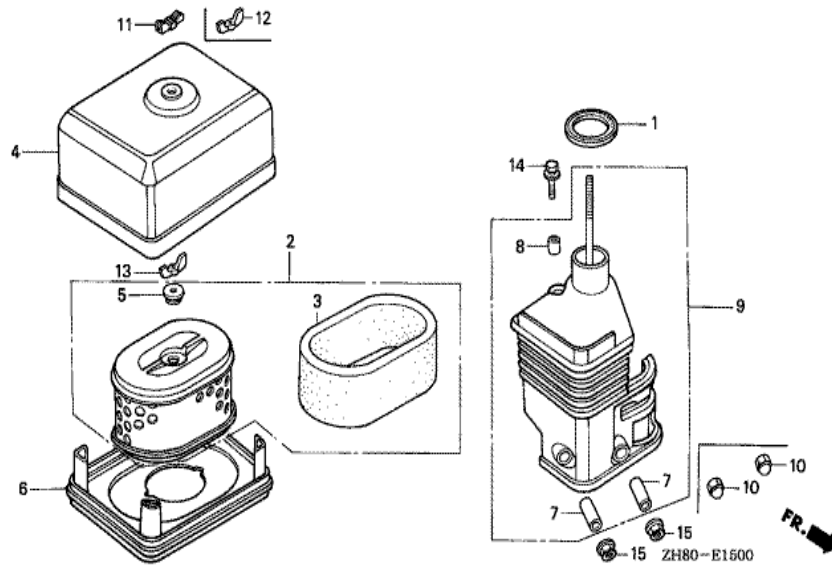
Ref	Partnumber	Description	GX160K1	Serial Numbers
009	19612-ZH8-840	PLATE, SIDE (STARTER MOTOR)	(1)	
011	19630-ZH8-000	SHROUD COMP.	1	
015	36101-ZB2-010	CORD, STOP SWITCH (395MM)	(1)	
017	90013-883-000	BOLT, FLANGE, 6X12 (CT200)	4	
018	90121-952-000	BOLT, FLANGE, 6X25 (CT200)	1	
026	19610-ZE1-830ZB	COVER COMP., FAN (STARTER MOTOR) *R8 *	1	8373305
026	19610-ZE1-830ZG	COVER COMP., FAN (STARTER MOTOR) *R280 *	(1)	8373306



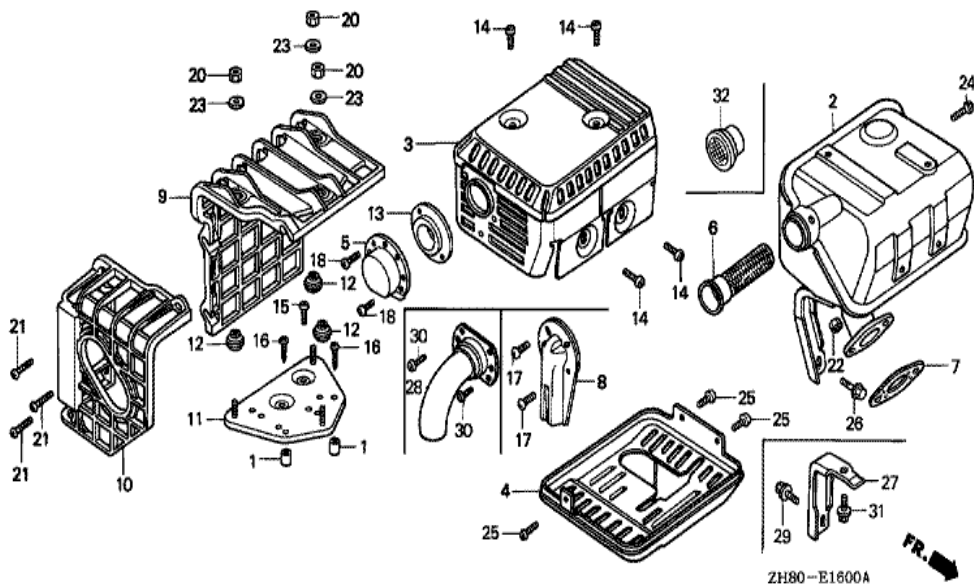
ZH80E1402B



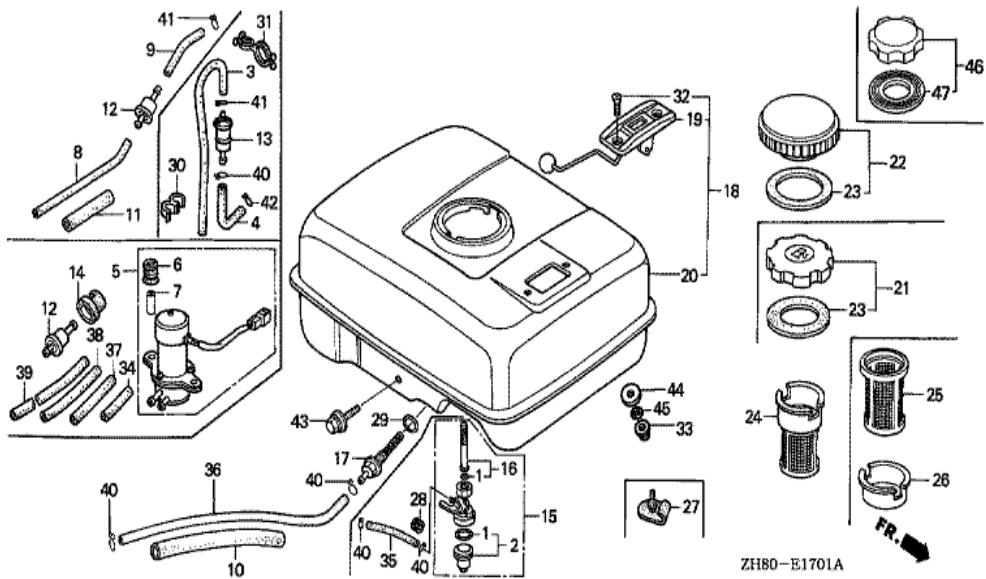
<u>Ref</u>	<u>Partnumber</u>	<u>Description</u>	<u>GX160K1</u>	<u>Serial Numbers</u>
002	16010-ZE1-812	GASKET SET	(1)	
003	16011-ZE0-005	VALVE SET, FLOAT	(1)	
004	16013-ZE0-005	FLOAT SET	(1)	
005	16015-ZE0-831	CHAMBER SET, FLOAT	1	BE65B B
007	16016-ZH7-W01	SCREW SET, PILOT	1	BE65C B
008	16024-ZE1-811	SCREW SET, DRAIN	(1)	
009	16028-ZE0-005	SCREW SET	(1)	
010	16044-ZE0-005	CHOKE SET	1	BE06J B
011	16100-ZH8-W51	CARBURETOR ASSY. (BE65B B/C)	1	6276050
012	16124-ZE0-005	SCREW, THROTTLE STOP	(1)	
013	16166-ZH8-W50	NOZZLE, MAIN	1	BE06J B
014	16173-001-004	PACKING, FUEL STRAINER CUP	(1)	
015	16211-ZE1-000	INSULATOR, CARBURETOR	1	
<u>Ref</u>	<u>Partnumber</u>	<u>Description</u>	<u>GX160K1</u>	<u>Serial Numbers</u>
016	16212-ZH8-800	PACKING, INSULATOR	1	2630824
017	16220-ZE1-020	SPACER COMP., CARBURETOR	1	
018	16221-ZH8-801	PACKING, CARBURETOR	1	3427589
021	16610-ZE1-000	LEVER COMP., CHOKE (STD.)	(1)	
026	16953-ZE1-812	LEVER, COCK	1	BE06J C
027	16954-ZE1-812	PLATE, LEVER SETTING	1	BE65B B
028	16956-ZE1-811	SPRING, COCK LEVER	(1)	
029	16957-ZE1-812	PACKING, FUEL COCK	(1)	
030	16967-ZE0-811	CUP, FUEL STRAINER	(1)	
032	93500-030061H	SCREW, PAN, 3X6	2	BE65B B
035	94305-20122	PIN, SPRING, 2X12	(1)	
036	99101-ZH80650	JET, MAIN, #65	(1)	BE06J C
036	99101-ZH80680	JET, MAIN, #68	(1)	BE06J C
036	99101-ZH80700	JET, MAIN, #70	1	BE65B B
037	99204-ZE00350	JET SET, PILOT, #35	1	BE06J B



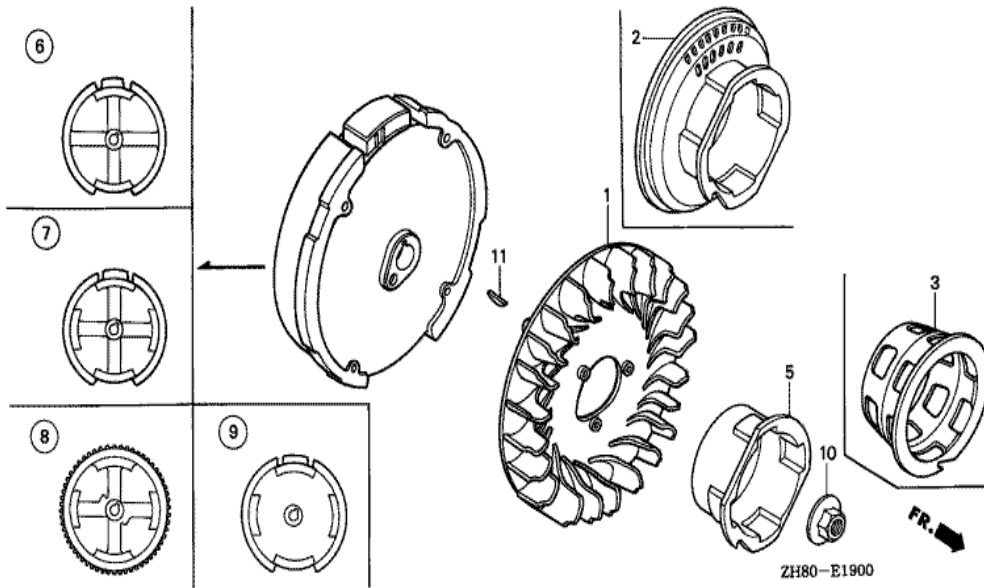
Ref	Partnumber	Description	GX160K1	Serial Numbers
001	16271-ZE1-000	PACKING, ELBOW	(1)	
002	17210-ZE1-822	ELEMENT, AIR CLEANER (DUAL)	(1)	
003	17218-ZE1-821	FILTER, OUTER	(1)	
004	17230-ZE1-820	COVER, AIR CLEANER (DUAL)	(1)	
005	17232-891-000	GROMMET, AIR CLEANER	(1)	
007	17238-ZE7-010	COLLAR, AIR CLEANER	(2)	
008	17239-ZE1-000	COLLAR B, AIR CLEANER	(1)	
009	17410-ZE1-020	ELBOW COMP., AIR CLEANER	(1)	
012	90325-044-000	NUT, TOOL BOX SETTING	1	2836834
013	90325-044-000	NUT, TOOL BOX SETTING	(1)	
014	95701-0602000	BOLT, FLANGE, 6X20	1	3385102
015	94050-06000	NUT, FLANGE, 6MM	2	2708122



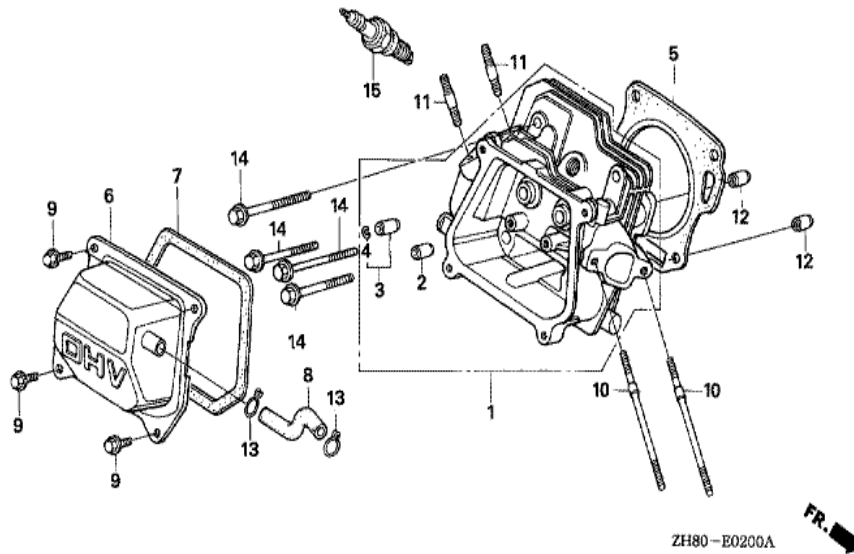
Ref	Partnumber	Description	GX160K1	Serial Numbers
002	18310-ZF1-000	MUFFLER COMP. (STD.)	(1)	
002	18310-ZH8-810	MUFFLER COMP. (ARRESTER)	(1)	
003	18320-ZF1-H01	PROTECTOR, MUFFLER (STD.) (BLACK)	1	3244960
006	18355-ZE1-000	ARRESTER, SPARK	(1)	
007	18381-ZH8-800	GASKET, MUFFLER	(1)	
014	90050-ZE1-000	SCREW, TAPPING, 5X8	(4)	
022	94001-080000S	NUT, HEX., 8MM	2	
024	90055-ZE1-000	SCREW, TAPPING, 4X6	(1)	



Ref	Partnumber	Description	GX160K1	Serial Numbers
010	16854-ZH8-000	RUBBER, SUPPORTER (107MM)	(1)	
017	16955-ZE1-000	JOINT, FUEL TANK	(1)	
020	17510-ZE1-020ZA	TANK COMP., FUEL *NH31 *	(1)	
021	17620-ZH7-023	CAP COMP., FUEL FILLER (BLACK)	1	4705773 8542059
023	17631-ZH7-003	PACKING, FUEL FILLER CAP (39X58X3)	1	8542059
029	91353-671-004	O-RING, 14MM (NOK)	(1)	
033	94050-06000	NUT, FLANGE, 6MM	(2)	
036	95001-4514040	TUBE, FUEL, 4.5X140 (95001-45001-60M)	(1)	
040	95002-02080	CLIP, TUBE (B8)	(2)	
046	17620-ZOT-814	CAP COMP., FUEL FILLER (CHROME PLATED) ((1)	8542060
047	17631-ZOT-812	PACKING, FUEL FILLER CAP (39X62X3) (TOUY	(1)	8542060



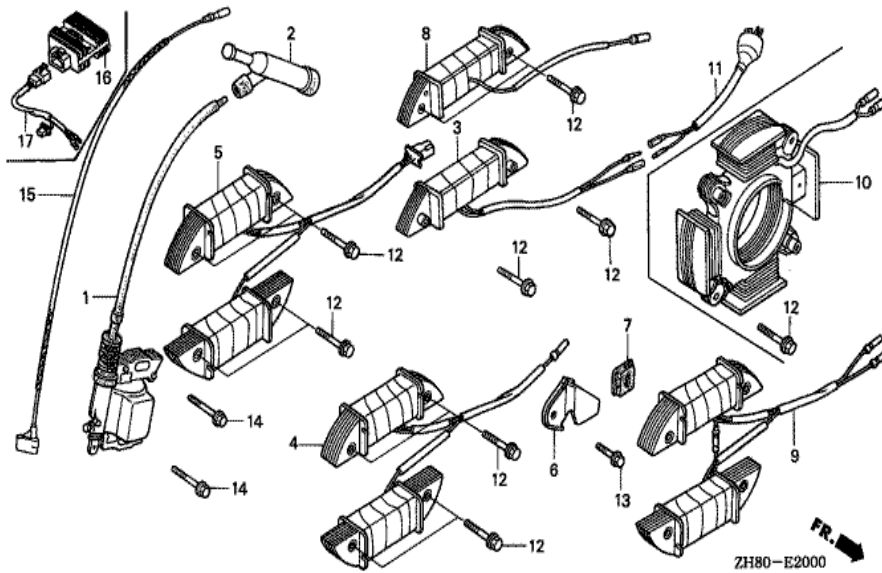
Ref	Partnumber	Description	GX160K1	Serial Numbers
001	19511-ZE1-000	FAN, COOLING	1	
005	28451-ZH8-003	PULLEY, STARTER	(1)	
008	31100-ZE1-821	FLYWHEEL COMP. (STARTER MOTOR)	(1)	
010	90201-878-003	NUT, SPECIAL, 14MM	1	
011	13331-357-000	KEY, SPECIAL WOODRUFF, 25X18	1	



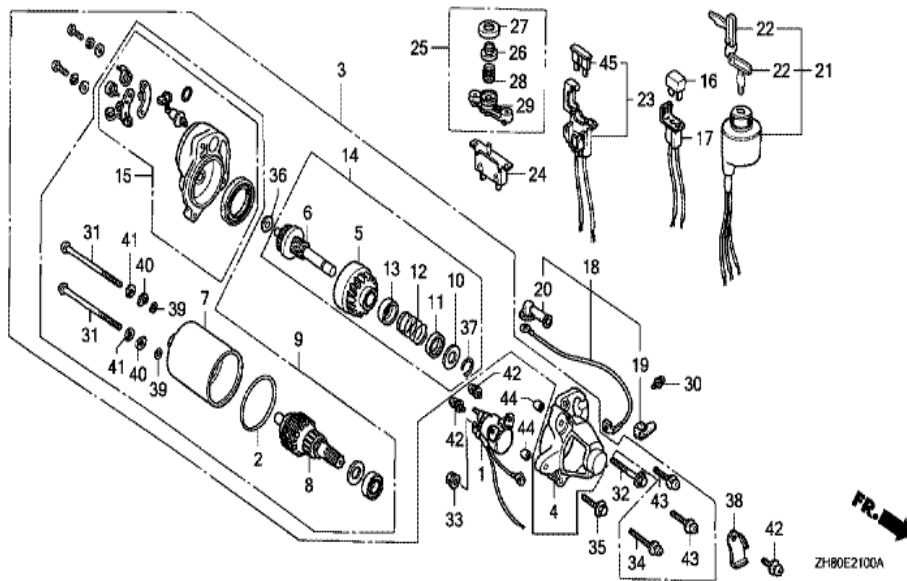
ZH80-E0200A



Ref	Partnumber	Description	GX160K1	Serial Numbers
001	12210-ZH8-020	HEAD COMP., CYLINDER	1	
002	12204-ZE1-306	GUIDE, IN. VALVE (OS)	(1)	
003	12205-ZE1-315	GUIDE, EX. VALVE (OS)	(1)	
004	12216-ZE5-300	CLIP, VALVE GUIDE	1	
005	12251-ZF1-800	GASKET, CYLINDER HEAD	(1)	
006	12310-ZE1-020	COVER COMP., HEAD	1	7638543
007	12391-ZE1-000	PACKING, HEAD COVER	1	
008	15721-ZH8-000	TUBE, BREATHER	(1)	
009	90013-883-000	BOLT, FLANGE, 6X12 (CT200)	4	2708337
010	90043-ZE1-020	BOLT, STUD, 6X112	2	
011	90047-ZE1-000	BOLT, STUD, 8X32	2	
012	94301-10160	DOWEL PIN, 10X16	2	
014	95723-0806000	BOLT, FLANGE, 8X60	4	
Ref	Partnumber	Description	GX160K1	Serial Numbers
015	98079-56846	PLUG, SPARK (BPR6ES) (NGK)	1	6276050
015	98079-56855	PLUG, SPARK (W20EPR-U) (DENSO)	1	6276050

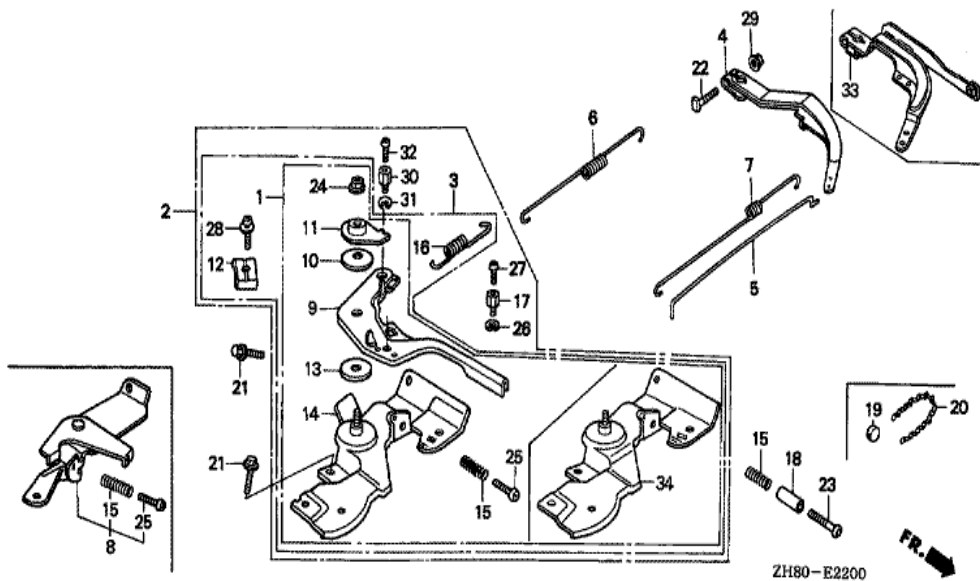


Ref	Partnumber	Description	GX160K1	Serial Numbers
001	30500-ZE1-033	COIL ASSY., IGNITION	1	8074561
002	30700-ZE1-013	CAP ASSY., NOISE SUPPRESSOR (NICHIIWA Y-E	1	6276050
006	31511-ZE1-000	CLAMPER, CORD	(1)	
007	31512-ZE1-000	GROMMET, CORD	(1)	
008	31630-ZE1-003	COIL ASSY., CHARGE (1A)	(1)	
012	90015-883-000	BOLT, FLANGE, 6X28 (CT200)	(4)	
013	90019-883-000	BOLT, FLANGE, 5X10	(1)	
014	90121-952-000	BOLT, FLANGE, 6X25 (CT200)	2	
015	36101-ZB2-010	CORD, STOP SWITCH (395MM)	1	

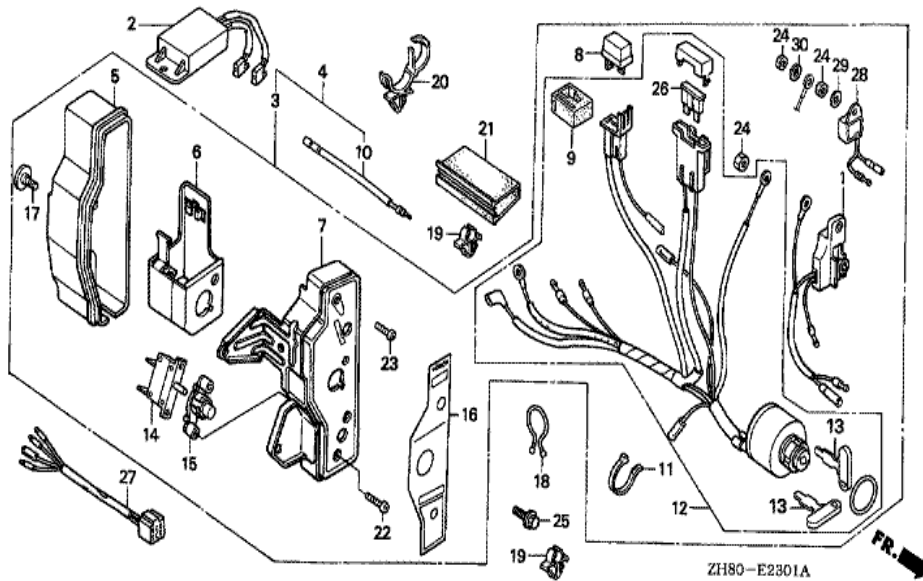


Ref	Partnumber	Description	GX160K1	Serial Numbers
001	31204-ZE1-003	SWITCH COMP., STARTING MAGNET	(1)	
002	31206-KN7-670	O-RING	(1)	
003	31210-ZE1-023	MOTOR UNIT, STARTER (SM-11203) (162MM)	(1)	
004	31212-ZE1-003	COVER COMP., GEAR	(1)	
005	31214-ZE1-003	PINION ASSY.	(1)	
006	31215-ZE1-003	SHAFT UNIT, GEAR	(1)	
007	31216-ZE1-003	YOKE ASSY.	(1)	
008	31217-ZE1-013	ROTOR ASSY.	(1)	
009	31220-ZE1-013	MOTOR ONLY	(1)	
010	31221-ZE1-003	PIECE A, STOPPER	(1)	
011	31222-ZE1-003	PIECE B, STOPPER	(1)	
012	31223-ZE1-003	SPRING, RETURN	(1)	
013	31224-ZE1-003	COVER, SPRING	(1)	

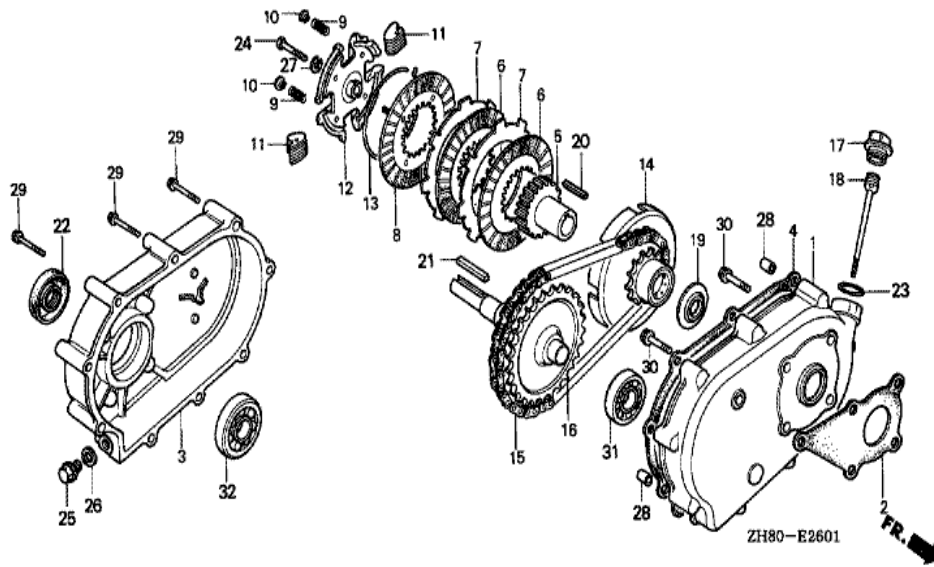
<u>Ref</u>	<u>Partnumber</u>	<u>Description</u>	<u>GX160K1</u>	<u>Serial Numbers</u>
014	31230-ZE1-003	GEAR ASSY.	(1)	
015	31235-ZE1-013	BRACKET COMP., FR.	(1)	
018	32410-ZE1-000	CORD, MAGNET SWITCH	(1)	
019	32411-ZE1-000	COVER, MAGNETIC SWITCH	(1)	
020	32411-253-000	COVER, STARTER MOTOR TERMINAL	(1)	
030	90010-ZE1-003	SCREW-WASHER, 5X8	(1)	
031	90012-ZE1-003	BOLT, SETTING	(2)	
032	90017-883-000	BOLT, FLANGE, 6X32 (CT200)	(1)	
033	90071-MB0-000	NUT-WASHER, 6MM	(2)	
034	90115-GB4-700	SCREW-WASHER, 5X30	(1)	
035	90121-952-000	BOLT, FLANGE, 6X25 (CT200)	(1)	
036	90502-187-701	WASHER, PINION	(1)	
037	90603-ZE1-003	CIRCLIP, 10.2MM	(1)	
038	90631-ZE1-003	HOLDER, HARNESS	(1)	
039	91301-ZE1-003	O-RING	(2)	
040	91402-ZE6-003	WASHER, SPECIAL	(2)	
041	91403-ZE6-003	WASHER, SPRING	(2)	
042	93892-0501408	SCREW-WASHER, 5X14	(3)	
043	93892-0502008	SCREW-WASHER, 5X20	(2)	
044	94301-08100	DOWEL PIN, 8X10	(2)	



Ref	Partnumber	Description	GX160K1	Serial Numbers
003	16500-ZH8-823	CONTROL ASSY. (REMOTE)	1	6331305
004	16551-ZE0-010	ARM, GOVERNOR	1	4913229
005	16555-ZE1-000	ROD, GOVERNOR	1	
006	16561-ZE1-020	SPRING, GOVERNOR	1	
007	16562-ZE1-020	SPRING, THROTTLE RETURN	1	
009	16571-ZH8-020	LEVER, CONTROL	1	6331305
010	16574-ZE1-000	SPRING, LEVER	(1)	
011	16575-ZH8-000	WASHER, CONTROL LEVER	(1)	
012	16576-891-000	HOLDER, CABLE	(1)	
013	16578-ZE1-000	SPACER, CONTROL LEVER	(1)	
015	16584-883-300	SPRING, CONTROL ADJUSTING	(1)	
016	16592-ZE1-810	SPRING, CABLE RETURN	(1)	
021	90013-883-000	BOLT, FLANGE, 6X12 (CT200)	2	
Ref	Partnumber	Description	GX160K1	Serial Numbers
022	90015-ZE5-010	BOLT, GOVERNOR ARM	1	
024	90114-SA0-000	NUT, SELF-LOCK, 6MM	(1)	
025	93500-050250H	SCREW, PAN, 5X25	(1)	
028	93500-050160A	SCREW, PAN, 5X16	1	2740508
029	94050-06000	NUT, FLANGE, 6MM	1	
034	16580-ZH8-813	BASE COMP., CONTROL (REMOTE)	1	6331305

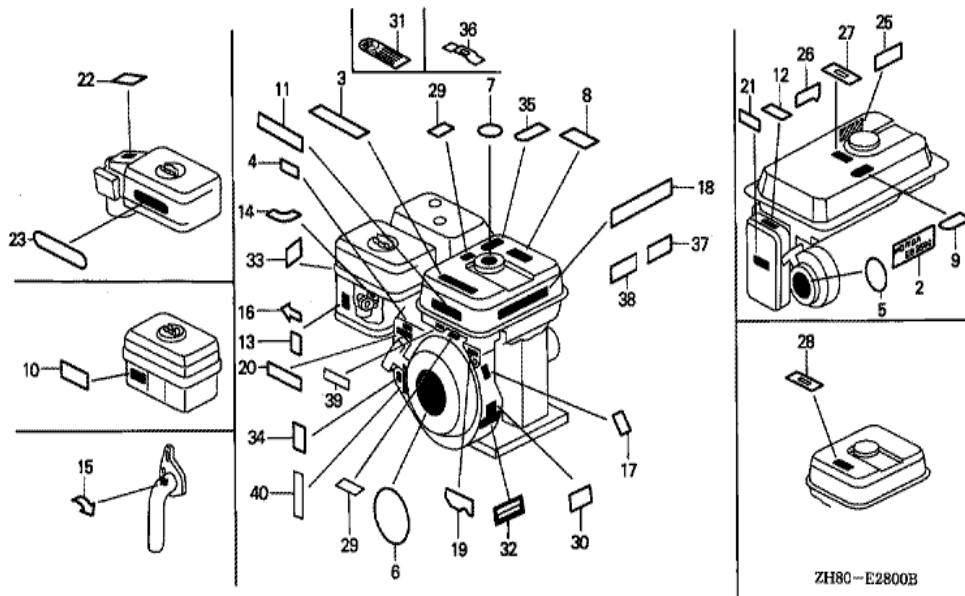


Ref	Partnumber	Description	GX160K1	Serial Numbers
004	31610-ZE1-835ZB	BOX ASSY., CONTROL (EXP-ALERT)* R8 *	1	5380586 8373305
004	31610-ZE1-835ZG	BOX ASSY., CONTROL (EXP-ALERT) *R280*	1	8373306
005	31612-ZE2-003	CASE, CONTROL	(1)	
006	31614-ZE2-003	BRACKET, CASE MOUNTING	(1)	
007	31615-ZE1-003ZB	PANEL COMP., CONTROL *R8 *	1	8394660
007	31615-ZE1-003ZG	PANEL COMP., CONTROL *R280 *	1	8366917
008	31700-124-008	RECTIFIER ASSY., SILICON (SHINDENGEN)	(1)	
009	32127-738-700	SUSPENSION, COUPLER	(1)	
010	32197-ZE1-003	HARNESS, SUB WIRE	1	2468253
011	32902-892-003	BAND	(1)	
012	35100-ZE1-812	SWITCH ASSY., COMBINATION	(1)	
013	35111-880-003	KEY COMP.	(2)	
014	38240-VA3-900	PROTECTOR, CIRCUIT (1.0A)	(1)	
Ref	Partnumber	Description	GX160K1	Serial Numbers
015	38250-ZA8-701	LENS ASSY., PROTECTOR	(1)	
016	87529-ZE2-811	MARK, CONTROL BOX (EXTERNAL)	1	2468253
017	90380-MA6-010	SCREW, SPECIAL, 6X12	(1)	
018	90630-751-000	CLIP, PURSE LOCK	(1)	
019	90682-ZE1-000	CLIP, CORD	(2)	
020	90690-SA0-003	STRAP, WIRE HARNESS, 25MM (BLACK)	(1)	
021	91406-ZE2-003	TUBE, FASTENER, 30MM	(1)	
022	93500-030120H	SCREW, PAN, 3X12	(2)	
023	93500-040120H	SCREW, PAN, 4X12	(1)	
024	94001-043900S	NUT, HEX., 4MM	2	5380586
025	95701-0601000	BOLT, FLANGE, 6X10	(1)	
026	98200-30500	FUSE, BLADE (5A)	(1)	
028	34150-ZH7-003	ALERT UNIT, OIL	1	5380586
029	94101-04800	WASHER, PLAIN, 4MM	1	5380586
030	94111-04800	WASHER, SPRING, 4MM	1	5372719



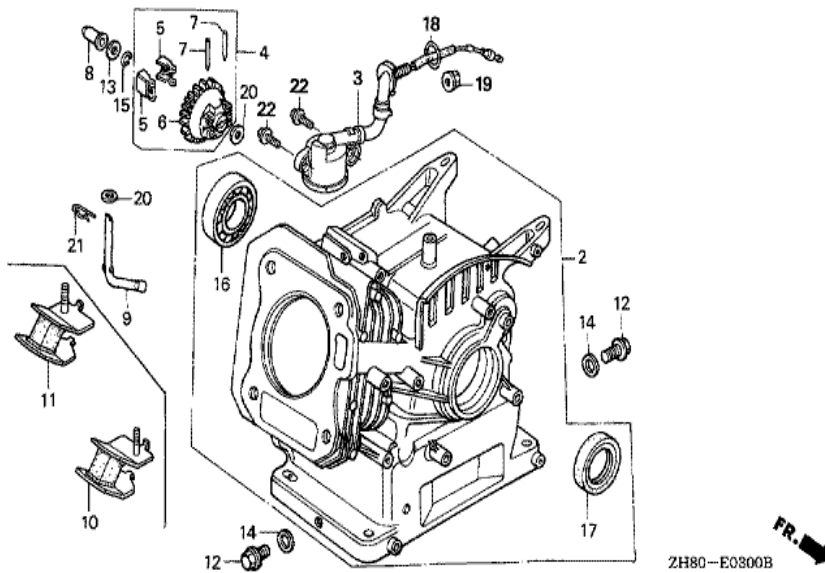
Ref	Partnumber	Description	GX160K1	Serial Numbers
001	21510-883-621	CASE, REDUCTION	1	
002	21591-ZH8-620	PACKING, REDUCTION CASE	1	
003	21610-822-611	COVER, REDUCTION	1	
004	21691-ZH8-800	PACKING, REDUCTION COVER	1	
005	22121-883-620	CENTER, CLUTCH	1	
006	22201-822-610	DISK, CLUTCH FRICTION	2	
007	22311-822-610	PLATE, CLUTCH	2	
008	22350-822-610	PLATE COMP., CLUTCH PRESSURE	1	
009	22411-822-611	SPRING, CLUTCH FREE	4	
010	22421-822-610	HOLDER, CLUTCH SPRING	4	
011	22521-822-610	WEIGHT, CLUTCH	48	
012	22531-883-620	HOLDER, CLUTCH WEIGHT	1	
013	22535-822-610	CENTER, CLUTCH WEIGHT	1	

<u>Ref</u>	<u>Partnumber</u>	<u>Description</u>	<u>GX160K1</u>	<u>Serial Numbers</u>
014	23120-883-620	SPROCKET COMP., DRIVE	1	
015	23161-822-611	CHAIN, DRIVE (RK428SH-36LE)	1	
016	23711-822-610	SHAFT COMP., P.T.O. (28T)	1	
017	25620-805-611	CAP, REDUCTION OIL (BLACK)	1	
017	25620-805-612	CAP, REDUCTION OIL (GRAY)	1	
018	25651-883-621	GAUGE, OIL LEVEL	1	
019	90403-883-620	WASHER, THRUST, 20MM	1	
020	90741-883-621	KEY, 5MM	1	
021	90741-889-810	KEY, 7X7X33 (YELLOW) (O.S.)	1	
022	91202-805-610	OIL SEAL (PJ30507)	1	
023	91301-805-000	O-RING, 26X2.7	1	
024	92101-080350A	BOLT, HEX., 8X35	1	
025	92800-12000	BOLT, DRAIN PLUG, 12MM	1	
026	94109-12000	WASHER, DRAIN PLUG, 12MM	1	
027	94111-08000	WASHER, SPRING, 8MM	1	
028	94301-08100	DOWEL PIN, 8X10	2	
029	95701-0605500	BOLT, FLANGE, 6X55	9	
030	95701-0802200	BOLT, FLANGE, 8X22	5	
031	96100-6205000	BEARING, RADIAL BALL, 6205	1	
032	96100-6206000	BEARING, RADIAL BALL, 6206	1	



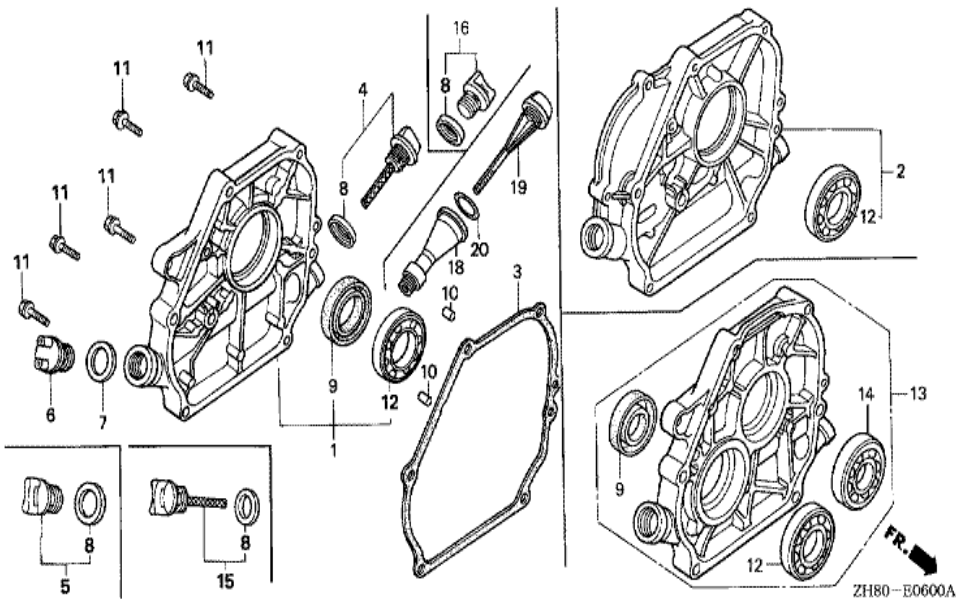
ZH80-E2800B

Ref	Partnumber	Description	GX160K1	Serial Numbers
003	87522-ZH9-010	LABEL, CAUTION (ENGLISH, ETC.)	(1)	
006	87521-ZH8-020	EMBLEM (GX160 5.5)	1	7438468 8367036
006	87521-ZH8-030	EMBLEM (GX160 5.5)	1	8367037
013	87528-ZE1-810	MARK, CHOKE	(1)	
018	87532-ZH8-810	MARK, OIL ALERT (ENGLISH)	1	2468253
032	87532-ZH8-810	MARK, OIL ALERT (ENGLISH)	1	
038	87532-ZH8-810	MARK, OIL ALERT (ENGLISH)	1	2468253

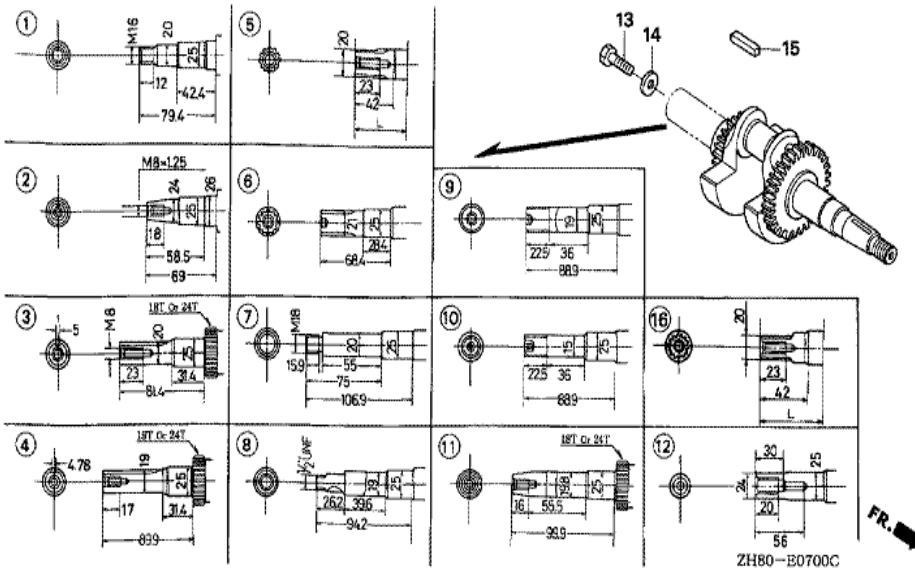


ZH80-E0300B

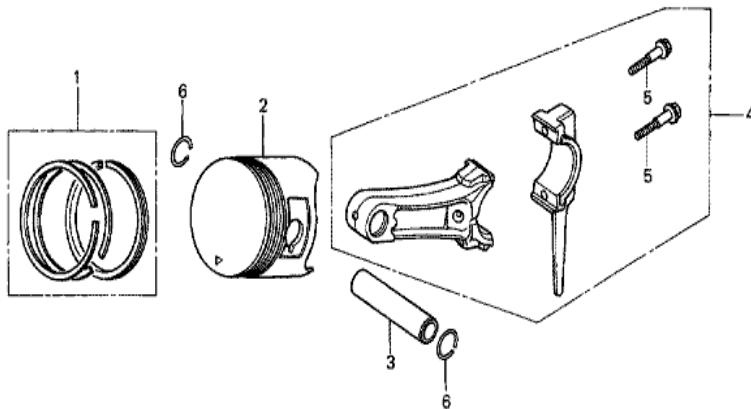
Ref	Partnumber	Description	GX160K1	Serial Numbers
002	12000-ZH8-416	BARREL ASSY., CYLINDER (OIL ALERT)	1	4067885 8565637
002	12000-ZH8-426	BARREL ASSY., CYLINDER (OIL ALERT)	1	8565638
003	15510-ZE1-033	SWITCH ASSY., OIL LEVEL	(1)	
004	16510-ZE1-000	GOVERNOR ASSY.	1	4913229
005	16511-ZE1-000	WEIGHT, GOVERNOR	2	4913229
006	16512-ZE1-000	HOLDER, GOVERNOR WEIGHT	1	4913229
007	16513-ZE1-000	PIN, GOVERNOR WEIGHT	2	4913229
008	16531-ZE1-000	SLIDER, GOVERNOR	1	
009	16541-ZE1-000	SHAFT, GOVERNOR ARM	1	
012	90131-ZE1-000	BOLT, DRAIN PLUG	2	
013	90451-ZE1-000	WASHER, THRUST, 6MM	1	
014	90601-ZE1-000	WASHER, DRAIN PLUG, 10.2MM	2	
015	90602-ZE1-000	CLIP, GOVERNOR HOLDER	1	
Ref	Partnumber	Description	GX160K1	Serial Numbers
016	91001-ZF1-003	BEARING, RADIAL BALL (6205TMB) (NTN)	1	
016	91001-ZF1-004	BEARING, RADIAL BALL (6205SH) (KOYO)	1	
017	91201-Z0T-801	OIL SEAL, 25X41X6 (NOK)	1	8565638
017	91202-883-005	OIL SEAL, 25X41X6	1	8565637
018	91353-671-004	O-RING, 14MM (NOK)	(1)	
019	94050-10000	NUT, FLANGE, 10MM	(1)	
020	94101-06800	WASHER, PLAIN, 6MM	2	
021	94251-08000	PIN, LOCK, 8MM	1	
022	95701-0601200	BOLT, FLANGE, 6X12	(2)	



Ref	Partnumber	Description	GX160K1	Serial Numbers
001	11300-ZE1-010	COVER ASSY., CRANKCASE	1	8571217
001	11300-ZE1-020	COVER ASSY., CRANKCASE	1	8571218
003	11381-ZL0-000	PACKING, CASE COVER	1	4067885
004	15600-ZE1-003	CAP ASSY., OIL FILLER (GRAY)	1	2966710
005	15600-ZG4-003	CAP ASSY., OIL FILLER	1	2966710
008	15625-ZE1-003	PACKING, OIL FILLER CAP	2	2966710
009	91201-ZOT-801	OIL SEAL, 25X41X6 (NOK)	1	8571218
009	91202-883-005	OIL SEAL, 25X41X6	1	8571217
010	94301-08140	DOWEL PIN, 8X14	2	
011	95701-0803200	BOLT, FLANGE, 8X32	6	
012	96100-6205000	BEARING, RADIAL BALL, 6205	1	



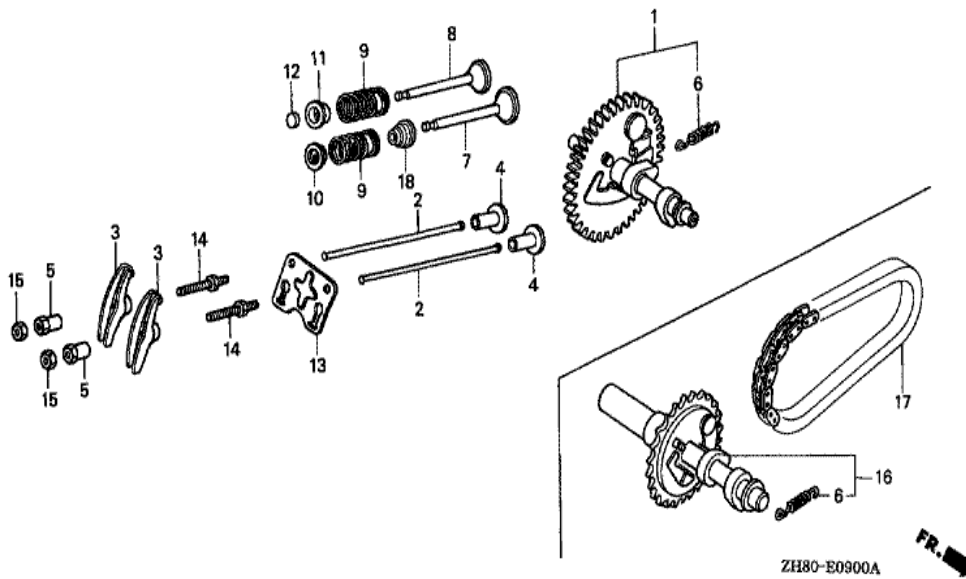
Ref	Partnumber	Description	GX160K1	Serial Numbers
003	13310-ZE1-000	CRANKSHAFT COMP. (24T)	1	



ZH80-E0800



<u>Ref</u>	<u>Partnumber</u>	<u>Description</u>	<u>GX160K1</u>	<u>Serial Numbers</u>
001	13010-ZL0-003	RING SET, PISTON (STD.) (TEIKOKU)	1	7603339
001	13010-ZL0-004	RING SET, PISTON (STD.) (NIPPON)	1	7603339
001	13011-ZL0-003	RING SET, PISTON (0.25) (TEIKOKU)	(1)	7603339
001	13011-ZL0-004	RING SET, PISTON (0.25) (NIPPON)	(1)	7603339
001	13012-ZL0-003	RING SET, PISTON (0.50) (TEIKOKU)	(1)	7603339
001	13012-ZL0-004	RING SET, PISTON (0.50) (NIPPON)	(1)	7603339
001	13013-ZL0-003	RING SET, PISTON (0.75) (TEIKOKU)	(1)	7603339
001	13013-ZL0-004	RING SET, PISTON (0.75) (NIPPON)	(1)	7603339
002	13101-ZH8-010	PISTON (STD.)	1	7603339
002	13102-ZH8-010	PISTON (0.25)	(1)	7603339
002	13103-ZH8-010	PISTON (0.50)	(1)	7603339
002	13104-ZH8-010	PISTON (0.75)	(1)	7603339
003	13111-ZE1-000	PIN, PISTON	1	
<u>Ref</u>	<u>Partnumber</u>	<u>Description</u>	<u>GX160K1</u>	<u>Serial Numbers</u>
004	13200-ZE1-010	ROD ASSY., CONNECTING (STD.)	1	
005	90001-ZE1-000	BOLT, CONNECTING ROD	2	
006	90551-ZE1-000	CLIP, PISTON PIN, 18MM	2	



Ref	Partnumber	Description	GX160K1	Serial Numbers
001	14100-ZE1-812	CAMSHAFT ASSY.	1	4913229
001	14100-ZE1-812	CAMSHAFT ASSY.	1	5048025
002	14410-ZE1-010	ROD, PUSH	2	
003	14431-ZE1-000	ARM, VALVE ROCKER	2	
004	14441-ZE1-010	LIFTER, VALVE	2	
005	14451-ZE1-013	PIVOT, ROCKER ARM	2	
006	14568-ZE1-000	SPRING, WEIGHT RETURN	1	
007	14711-ZF1-000	VALVE, IN.	1	
008	14721-ZF1-000	VALVE, EX.	1	
009	14751-ZF1-000	SPRING, VALVE	2	
010	14771-ZE1-000	RETAINER, IN. VALVE SPRING	1	
011	14773-ZE1-000	RETAINER, EX. VALVE SPRING	1	
012	14781-ZE1-000	ROTATOR, VALVE	1	
Ref	Partnumber	Description	GX160K1	Serial Numbers
013	14791-ZE1-010	PLATE, PUSH ROD GUIDE	1	
014	90012-ZE0-010	BOLT, PIVOT, 8MM	2	
015	90206-ZE1-000	NUT, PIVOT ADJUSTING	2	
018	12209-ZH8-003	SEAL, VALVE STEM	1	7664037