



Ref	Partnumber	Description	GX160K1	Serial Numbers
001	28400-ZH8-822ZA	STARTER ASSY., RECOIL (LONG ROPE) *R8 *	1	8366916
001	28400-ZH8-822ZC	STARTER ASSY., RECOIL (LONG ROPE) *NH1*	1	
001	28400-ZH8-822ZD	STARTER ASSY., RECOIL (LONG ROPE) *R280	1	8366917
002	28410-ZH8-003YA	CASE COMP., RECOIL STARTER *R280 *	1	8367073
002	28410-ZH8-003ZA	CASE COMP., RECOIL STARTER *R8 *	1	8367072
002	28410-ZH8-003ZB	CASE COMP., RECOIL STARTER *NH1 *	1	
003	28420-ZH8-013	REEL, RECOIL STARTER (NATURAL)	(1)	
004	28422-ZH8-013	RATCHET, STARTER	(2)	
005	28433-ZH8-003	GUIDE, RATCHET	(1)	
006	28441-ZH8-003	SPRING, FRICTION	(1)	
007	28442-ZH8-003	SPRING, RECOIL STARTER	(1)	
008	28443-ZH8-003	SPRING, RETURN	(2)	
009	28461-ZH8-003	GRIP, STARTER	(1)	
Ref	Partnumber	Description	GX160K1	Serial Numbers
011	28462-ZH8-821	ROPE, RECOIL STARTER (LONG)	(1)	
012	90003-ZH8-003	SCREW, SETTING	(1)	
013	90008-ZE2-003	BOLT, FLANGE, 6X10	(3)	



ZH80-E1200B

Ref	Partnumber	Description	GX160K1	Serial Numbers
004	19610-ZE1-000ZA	COVER COMP., FAN *R8 *	1	8369925
004	19610-ZE1-000ZC	COVER COMP., FAN *NH1 *	1	
004	19610-ZE1-000ZP	COVER COMP., FAN *R280 *	1	8369926
010	90601-ZH7-013	CLIP, HARNESS	1	4368641
011	19630-ZH8-000	SHROUD COMP.	1	
016	81329-567-020	GROMMET, DRAIN HOLE	(1)	
017	90013-883-000	BOLT, FLANGE, 6X12 (CT200)	4	
018	90022-888-010	BOLT, FLANGE, 6X20 (CT200)	(1)	
024	95701-0600800	BOLT, FLANGE, 6X8	1	5372719
032	19611-ZH8-820	PLATE COMP., SIDE (ALERT & LAMP)	1	5372719
033	34150-ZH7-003	ALERT UNIT, OIL	1	5372719

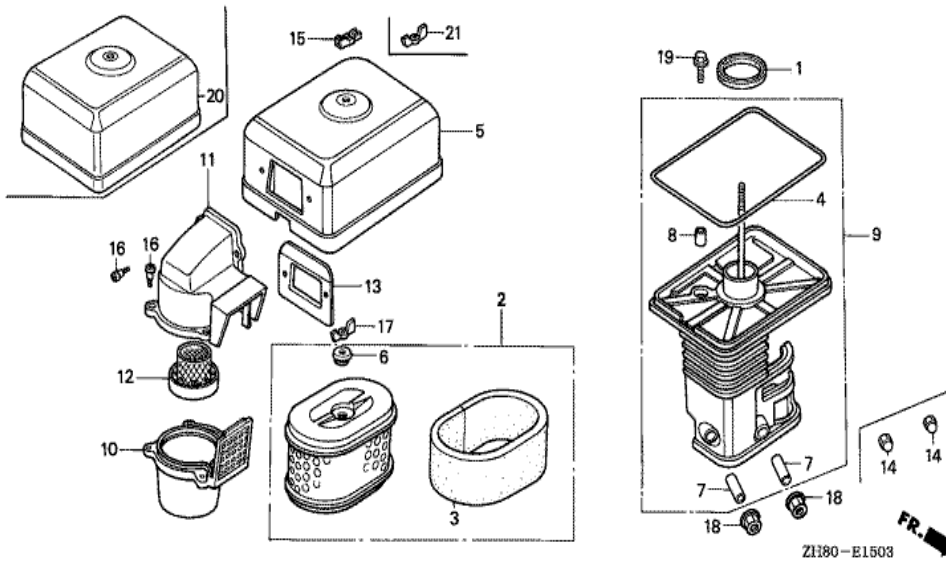


ZH80E1402B

FR. →

Ref	Partnumber	Description	GX160K1	Serial Numbers
002	16010-ZE1-812	GASKET SET	(1)	
003	16011-ZE0-005	VALVE SET, FLOAT	(1)	
004	16013-ZE0-005	FLOAT SET	(1)	
005	16015-ZE0-831	CHAMBER SET, FLOAT	1	BE65B B
007	16016-ZH8-W01	SCREW SET	1	BE65G B
008	16024-ZE1-811	SCREW SET, DRAIN	(1)	
009	16028-ZE0-005	SCREW SET	(1)	
010	16044-ZE0-005	CHOKE SET	1	BE06J B
011	16100-ZH8-V21	CARBURETOR ASSY. (BE65G B)	1	
012	16124-ZE0-005	SCREW, THROTTLE STOP	(1)	
013	16166-ZH8-W00	NOZZLE, MAIN	1	BE65G B
014	16173-001-004	PACKING, FUEL STRAINER CUP	(1)	
015	16211-ZE1-000	INSULATOR, CARBURETOR	1	

<u>Ref</u>	<u>Partnumber</u>	<u>Description</u>	<u>GX160K1</u>	<u>Serial Numbers</u>
016	16212-ZH8-800	PACKING, INSULATOR	1	2630824
017	16220-ZE1-020	SPACER COMP., CARBURETOR	1	
018	16221-ZH8-801	PACKING, CARBURETOR	1	3427589
019	16582-883-300	HOLDER, CONTROL CABLE	(1)	
020	16598-ZE1-000	STAY, CHOKE CONTROL	(1)	
022	16610-ZE1-810	LEVER COMP., CHOKE (REMOTE)	(1)	
023	16615-ZE1-010	SPRING, RETURN	(1)	
024	16617-890-010	HOLDER, CABLE	(1)	
026	16953-ZE1-812	LEVER, COCK	1	BE06J C
027	16954-ZE1-812	PLATE, LEVER SETTING	1	BE65B B
028	16956-ZE1-811	SPRING, COCK LEVER	(1)	
029	16957-ZE1-812	PACKING, FUEL COCK	(1)	
030	16967-ZE0-811	CUP, FUEL STRAINER	(1)	
031	90605-230-000	CIRCLIP, 5MM	(1)	
032	93500-030061H	SCREW, PAN, 3X6	2	BE65B B
033	93500-040080A	SCREW, PAN, 4X8	(1)	
034	93500-050080A	SCREW, PAN, 5X8	(1)	
035	94305-20122	PIN, SPRING, 2X12	(1)	
036	99101-ZH80620	JET, MAIN, #62	(1)	
036	99101-ZH80650	JET, MAIN, #65	(1)	BE06J C
036	99101-ZH80680	JET, MAIN, #68	(1)	BE06J C
037	99204-ZE00400	JET SET, PILOT, #40	1	BE65G B

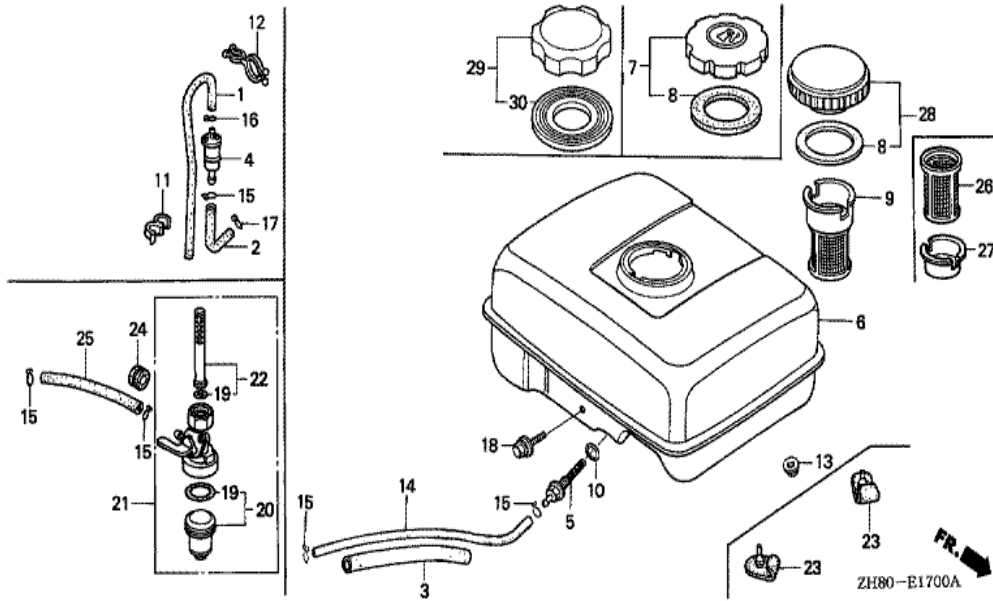


Z1180-E1503

<u>Ref</u>	<u>Partnumber</u>	<u>Description</u>	<u>GX160K1</u>	<u>Serial Numbers</u>
001	16271-ZE1-000	PACKING, ELBOW	(1)	
002	17210-ZE1-822	ELEMENT, AIR CLEANER (DUAL)	(1)	
003	17218-ZE1-821	FILTER, OUTER	(1)	
004	17219-733-010	PACKING, AIR CLEANER COVER	(1)	
005	17230-ZE1-841	COVER, AIR CLEANER (CYCLONE)	(1)	
006	17232-891-000	GROMMET, AIR CLEANER	(1)	
007	17238-ZE7-010	COLLAR, AIR CLEANER	(2)	
008	17239-733-000	COLLAR B, AIR CLEANER	(1)	
009	17410-ZE1-840	ELBOW COMP., AIR CLEANER	(1)	
010	17470-ZE1-842	CASE, PRE AIR CLEANER	(1)	
011	17475-ZE1-841	CAP, PRE AIR CLEANER	(1)	
012	17476-ZE1-841	GUIDE, PRE AIR CLEANER	(1)	
013	17478-ZE1-841	PLATE, PRE AIR CLEANER	(1)	
<u>Ref</u>	<u>Partnumber</u>	<u>Description</u>	<u>GX160K1</u>	<u>Serial Numbers</u>
016	90300-GB0-900	BOLT, MUDGUARD	(5)	
017	90325-044-000	NUT, TOOL BOX SETTING	1	
018	94050-06000	NUT, FLANGE, 6MM	2	2709372
019	95701-0602000	BOLT, FLANGE, 6X20	(1)	
021	90325-044-000	NUT, TOOL BOX SETTING	(1)	



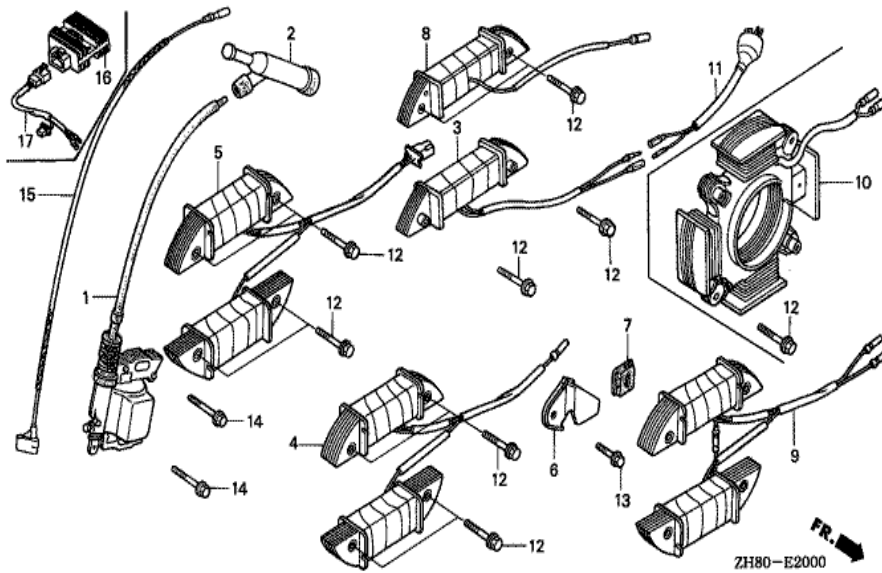
Ref	Partnumber	Description	GX160K1	Serial Numbers
002	18310-ZF1-000	MUFFLER COMP. (STD.)	(1)	
003	18320-ZF1-H01	PROTECTOR, MUFFLER (STD.) (BLACK)	1	3244960
007	18381-ZH8-800	GASKET, MUFFLER	(1)	
014	90050-ZE1-000	SCREW, TAPPING, 5X8	(4)	
022	94001-080000S	NUT, HEX., 8MM	2	



Ref	Partnumber	Description	GX160K1	Serial Numbers
003	16854-ZH8-000	RUBBER, SUPPORTER (107MM)	1	
005	16955-ZE1-000	JOINT, FUEL TANK	1	
006	17510-ZE1-020ZA	TANK COMP., FUEL *NH31 *	1	
006	17510-ZE1-020ZF	TANK COMP., FUEL *NH1 *	1	
007	17620-ZH7-023	CAP COMP., FUEL FILLER (BLACK)	1	4705773
008	17631-ZH7-003	PACKING, FUEL FILLER CAP (39X58X3)	1	8542059
010	91353-671-004	O-RING, 14MM (NOK)	1	
013	94050-06000	NUT, FLANGE, 6MM	2	
014	95001-4514040	TUBE, FUEL, 4.5X140 (95001-45001-60M)	1	
015	95002-02080	CLIP, TUBE (B8)	1	
018	95701-0602500	BOLT, FLANGE, 6X25	1	
026	17672-880-000	FILTER, FUEL	1	2468780 2827376
027	17673-893-000	HOLDER, FUEL FILTER	1	2468780 2827376
Ref	Partnumber	Description	GX160K1	Serial Numbers
029	17620-ZOT-814	CAP COMP., FUEL FILLER (CHROME PLATED) (1	8542060
030	17631-ZOT-812	PACKING, FUEL FILLER CAP (39X62X3) (TOUY	1	8542060



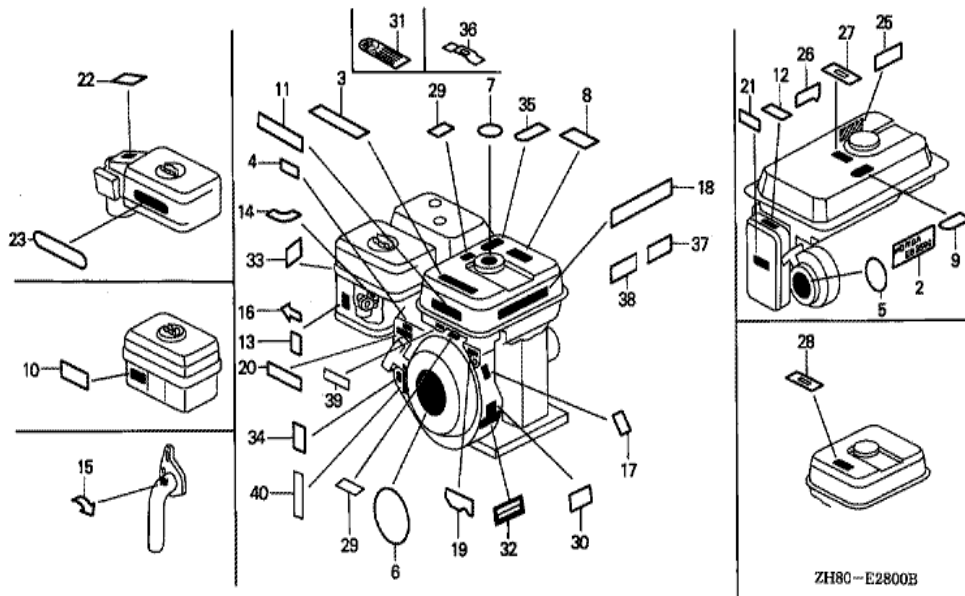
Ref	Partnumber	Description	GX160K1	Serial Numbers
001	19511-ZE1-000	FAN, COOLING	1	
005	28451-ZH8-003	PULLEY, STARTER	(1)	
009	31100-ZH8-W03	FLYWHEEL COMP. (4POLE-3MAGNET)	(1)	
010	90201-878-003	NUT, SPECIAL, 14MM	1	
011	13331-357-000	KEY, SPECIAL WOODRUFF, 25X18	1	



Ref	Partnumber	Description	GX160K1	Serial Numbers
001	30500-ZE1-033	COIL ASSY., IGNITION	1	8074561
001	30500-ZE1-043	COIL ASSY., IGNITION	1	8074562
002	30700-ZE1-013	CAP ASSY., NOISE SUPPRESSOR (NICHIIWA Y-E	1	6276050
006	31511-ZE1-000	CLAMPER, CORD	(1)	
007	31512-ZE1-000	GROMMET, CORD	(1)	
010	31630-ZH8-W01	COIL ASSY., CHARGE (12V-7A)	(1)	
012	90015-883-000	BOLT, FLANGE, 6X28 (CT200)	(4)	
013	90019-883-000	BOLT, FLANGE, 5X10	(1)	
014	90121-952-000	BOLT, FLANGE, 6X25 (CT200)	2	
015	36101-ZE1-010	CORD, STOP SWITCH (370MM)	1	

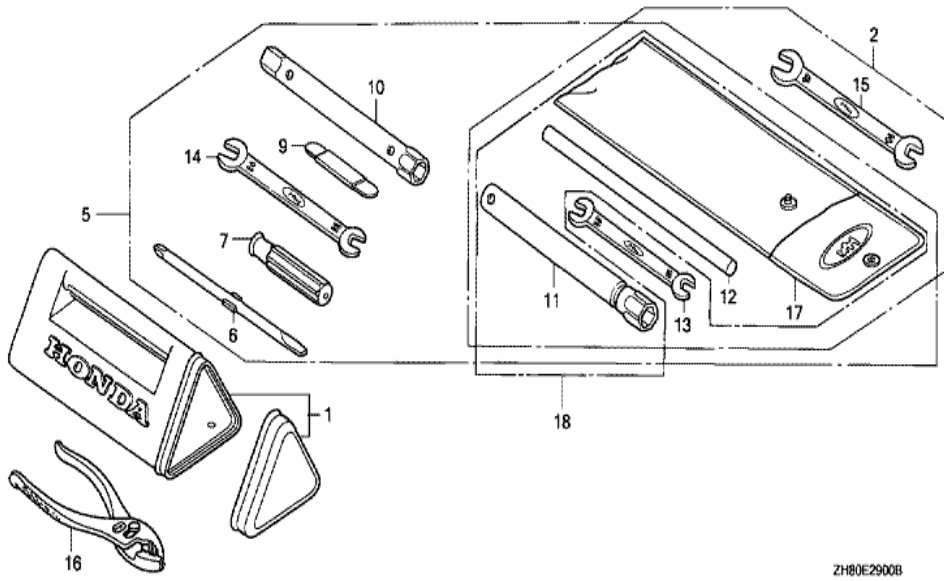


Ref	Partnumber	Description	GX160K1	Serial Numbers
002	16500-ZK8-911	CONTROL ASSY. (CYCLONE-NORTON)	1	5551818 6196199
002	16500-ZK8-912	CONTROL ASSY. (CYCLONE-NORTON)	1	6331305
004	16551-ZE0-010	ARM, GOVERNOR	1	4913229
005	16555-ZE1-000	ROD, GOVERNOR	1	
006	16561-ZE1-020	SPRING, GOVERNOR	1	
007	16562-ZE1-020	SPRING, THROTTLE RETURN	1	
008	16571-ZH8-000	LEVER, CONTROL	1	6331304
009	16571-ZH8-020	LEVER, CONTROL	1	6331305
010	16574-ZE1-000	SPRING, LEVER	(1)	
011	16575-ZH8-000	WASHER, CONTROL LEVER	(1)	
012	16576-891-000	HOLDER, CABLE	(1)	
013	16578-ZE1-000	SPACER, CONTROL LEVER	(1)	
015	16584-883-300	SPRING, CONTROL ADJUSTING	(1)	
Ref	Partnumber	Description	GX160K1	Serial Numbers
016	16592-ZE1-810	SPRING, CABLE RETURN	(1)	
017	16594-883-010	HOLDER, WIRE	(1)	
021	90013-883-000	BOLT, FLANGE, 6X12 (CT200)	2	
022	90015-ZE5-010	BOLT, GOVERNOR ARM	1	
024	90114-SAO-000	NUT, SELF-LOCK, 6MM	(1)	
025	93500-050250H	SCREW, PAN, 5X25	(1)	
026	90605-230-000	CIRCLIP, 5MM	(1)	
027	93500-040060H	SCREW, PAN, 4X6	(1)	
028	93500-050160A	SCREW, PAN, 5X16	1	2740508
029	94050-06000	NUT, FLANGE, 6MM	1	
030	16594-883-010	HOLDER, WIRE	1	6276085
031	90605-230-000	CIRCLIP, 5MM	1	6481741
032	93500-040060H	SCREW, PAN, 4X6	1	6481741
034	16580-ZH8-852	BASE COMP., CONTROL (CYCLONE)	1	6331304
034	16580-ZH8-853	BASE COMP., CONTROL (CYCLONE) (###)	1	6331305



ZH80-E2800B

Ref	Partnumber	Description	GX160K1	Serial Numbers
006	87521-ZH8-010	EMBLEM (5.5)	1	7438467
006	87521-ZH8-020	EMBLEM (GX160 5.5)	1	7438468 8367036
006	87521-ZH8-030	EMBLEM (GX160 5.5)	1	8367037
011	87522-ZH9-010	LABEL, CAUTION (ENGLISH, ETC.)	1	
013	87528-ZE1-810	MARK, CHOKE	(1)	
018	87532-ZH8-810	MARK, OIL ALERT (ENGLISH)	1	2468253
022	87534-ZE1-841	LABEL, AIR CLEANER CAUTION	(1)	
023	87535-ZE1-840	MARK, AIR CLEANER SALES POINT	(1)	8381117
023	87535-ZE1-841	MARK, AIR CLEANER SALES POINT	(1)	8381118



ZH80E2900B

Ref	Partnumber	Description	GX160K1	Serial Numbers
011	89218-ZE1-000	WRENCH COMP., SPARK PLUG	(1)	



ZH80-E0300B

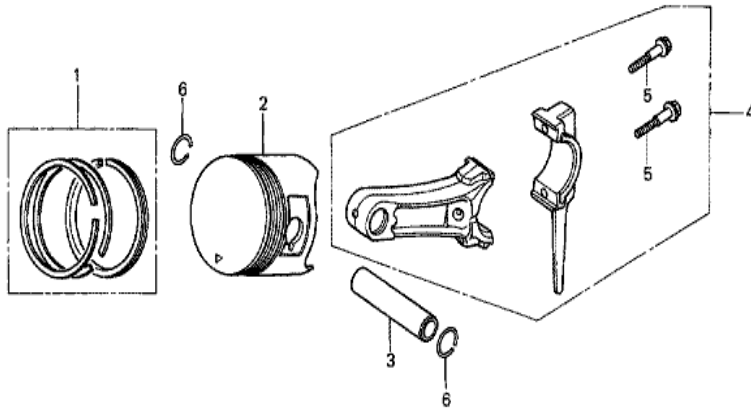
Ref	Partnumber	Description	GX160K1	Serial Numbers
002	12000-ZH8-416	BARREL ASSY., CYLINDER (OIL ALERT)	1	4067885 8565637
002	12000-ZH8-426	BARREL ASSY., CYLINDER (OIL ALERT)	1	8565638
003	15510-ZE1-033	SWITCH ASSY., OIL LEVEL	(1)	
004	16510-ZE1-000	GOVERNOR ASSY.	1	4913229
005	16511-ZE1-000	WEIGHT, GOVERNOR	2	4913229
006	16512-ZE1-000	HOLDER, GOVERNOR WEIGHT	1	4913229
007	16513-ZE1-000	PIN, GOVERNOR WEIGHT	2	4913229
008	16531-ZE1-000	SLIDER, GOVERNOR	1	
009	16541-ZE1-000	SHAFT, GOVERNOR ARM	1	
012	90131-ZE1-000	BOLT, DRAIN PLUG	2	
013	90451-ZE1-000	WASHER, THRUST, 6MM	1	
014	90601-ZE1-000	WASHER, DRAIN PLUG, 10.2MM	2	
015	90602-ZE1-000	CLIP, GOVERNOR HOLDER	1	
Ref	Partnumber	Description	GX160K1	Serial Numbers
016	91001-ZF1-003	BEARING, RADIAL BALL (6205TMB) (NTN)	1	
016	91001-ZF1-004	BEARING, RADIAL BALL (6205SH) (KOYO)	1	
017	91201-Z0T-801	OIL SEAL, 25X41X6 (NOK)	1	8565638
017	91202-883-005	OIL SEAL, 25X41X6	1	8565637
018	91353-671-004	O-RING, 14MM (NOK)	(1)	
019	94050-10000	NUT, FLANGE, 10MM	(1)	
020	94101-06800	WASHER, PLAIN, 6MM	2	
021	94251-08000	PIN, LOCK, 8MM	1	
022	95701-0601200	BOLT, FLANGE, 6X12	(2)	



Ref	Partnumber	Description	GX160K1	Serial Numbers
001	11300-ZE1-641	COVER ASSY., CRANKCASE	1	8566783
001	11300-ZE1-642	COVER ASSY., CRANKCASE	1	8566784
003	11381-ZH8-801	PACKING, CASE COVER (NON ASBESTOS)	1	3413170
004	15600-ZE1-003	CAP ASSY., OIL FILLER (GRAY)	1	2966710
005	15600-ZG4-003	CAP ASSY., OIL FILLER	1	2966710
008	15625-ZE1-003	PACKING, OIL FILLER CAP	2	2966710
009	91201-ZOT-801	OIL SEAL, 25X41X6 (NOK)	1	8571218
009	91202-883-005	OIL SEAL, 25X41X6	1	8571217
010	94301-08140	DOWEL PIN, 8X14	2	
011	95701-0803200	BOLT, FLANGE, 8X32	6	
012	96100-6205000	BEARING, RADIAL BALL, 6205	1	



Ref	Partnumber	Description	GX160K1	Serial Numbers
004	13310-ZE1-601	CRANKSHAFT COMP.	1	
015	90745-ZE1-600	KEY, 4.78X4.78X38	(1)	



ZH80-E0800



<u>Ref</u>	<u>Partnumber</u>	<u>Description</u>	<u>GX160K1</u>	<u>Serial Numbers</u>	
001	13010-ZH8-941	RING SET, PISTON (STD.) (TEIKOKU)	1	5495900	7603338
001	13010-ZH8-942	RING SET, PISTON (STD.) (NIPPON)	1	5495900	7603338
001	13010-ZL0-003	RING SET, PISTON (STD.) (TEIKOKU)	1	7603339	
001	13010-ZL0-004	RING SET, PISTON (STD.) (NIPPON)	1	7603339	
001	13011-ZH8-941	RING SET, PISTON (0.25) (TEIKOKU)	(1)	5495900	7603338
001	13011-ZH8-942	RING SET, PISTON (0.25) (NIPPON)	(1)	5495900	7603338
001	13011-ZL0-003	RING SET, PISTON (0.25) (TEIKOKU)	(1)	7603339	
001	13011-ZL0-004	RING SET, PISTON (0.25) (NIPPON)	(1)	7603339	
001	13012-ZH8-941	RING SET, PISTON (0.50) (TEIKOKU)	(1)	5495900	7603338
001	13012-ZH8-942	RING SET, PISTON (0.50) (NIPPON)	(1)	5495900	7603338
001	13012-ZL0-003	RING SET, PISTON (0.50) (TEIKOKU)	(1)	7603339	
001	13012-ZL0-004	RING SET, PISTON (0.50) (NIPPON)	(1)	7603339	
001	13013-ZH8-941	RING SET, PISTON (0.75) (TEIKOKU)	(1)	5495900	7603338
<u>Ref</u>	<u>Partnumber</u>	<u>Description</u>	<u>GX160K1</u>	<u>Serial Numbers</u>	
001	13013-ZH8-942	RING SET, PISTON (0.75) (NIPPON)	(1)	5495900	7603338
001	13013-ZL0-003	RING SET, PISTON (0.75) (TEIKOKU)	(1)	7603339	
001	13013-ZL0-004	RING SET, PISTON (0.75) (NIPPON)	(1)	7603339	
002	13101-ZH8-000	PISTON (STD.)	1		7603338
002	13101-ZH8-010	PISTON (STD.)	1	7603339	
002	13102-ZH8-000	PISTON (0.25)	(1)		7603338
002	13102-ZH8-010	PISTON (0.25)	(1)	7603339	
002	13103-ZH8-000	PISTON (0.50)	(1)		7603338
002	13103-ZH8-010	PISTON (0.50)	(1)	7603339	
002	13104-ZH8-000	PISTON (0.75)	(1)		7603338
002	13104-ZH8-010	PISTON (0.75)	(1)	7603339	
003	13111-ZE1-000	PIN, PISTON	1		
004	13200-ZE1-010	ROD ASSY., CONNECTING (STD.)	1		
005	90001-ZE1-000	BOLT, CONNECTING ROD	2		
006	90551-ZE1-000	CLIP, PISTON PIN, 18MM	2		



Ref	Partnumber	Description	GX160K1	Serial Numbers
001	14100-ZE1-812	CAMSHAFT ASSY.	1	4913229
002	14410-ZE1-010	ROD, PUSH	2	
003	14431-ZE1-000	ARM, VALVE ROCKER	2	
004	14441-ZE1-010	LIFTER, VALVE	2	
005	14451-ZE1-013	PIVOT, ROCKER ARM	2	
006	14568-ZE1-000	SPRING, WEIGHT RETURN	1	
007	14711-ZF1-000	VALVE, IN.	1	
008	14721-ZF1-000	VALVE, EX.	1	
009	14751-ZF1-000	SPRING, VALVE	2	
010	14771-ZE1-000	RETAINER, IN. VALVE SPRING	1	
011	14773-ZE1-000	RETAINER, EX. VALVE SPRING	1	
012	14781-ZE1-000	ROTATOR, VALVE	1	
013	14791-ZE1-010	PLATE, PUSH ROD GUIDE	1	
Ref	Partnumber	Description	GX160K1	Serial Numbers
014	90012-ZE0-010	BOLT, PIVOT, 8MM	2	
015	90206-ZE1-000	NUT, PIVOT ADJUSTING	2	
018	12209-ZH8-003	SEAL, VALVE STEM	1	7664037

GX160K1(QSC9)

EOP-1 GASKET KIT



HENG-X0003

<u>Ref</u>	<u>Partnumber</u>	<u>Description</u>	<u>GX160K1</u>	<u>Serial Numbers</u>
001	061A1-ZH8-040	GASKET KIT	1	3427859