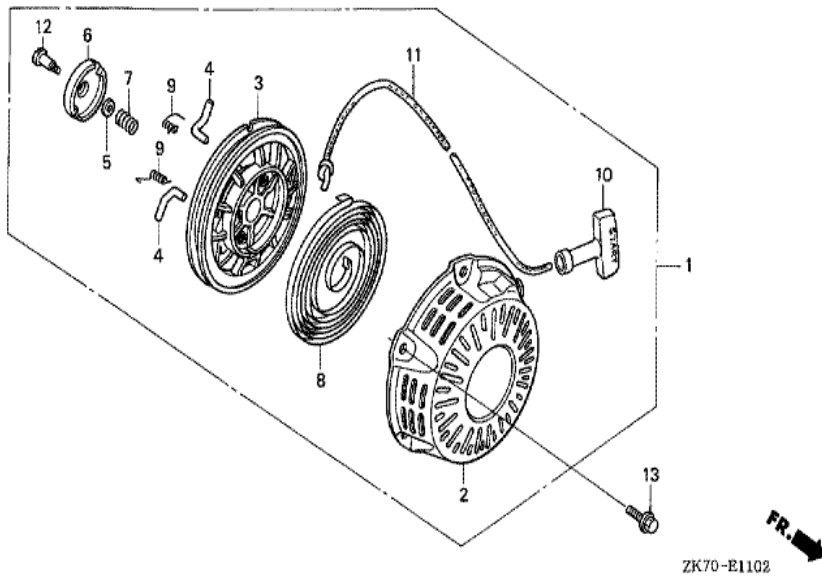


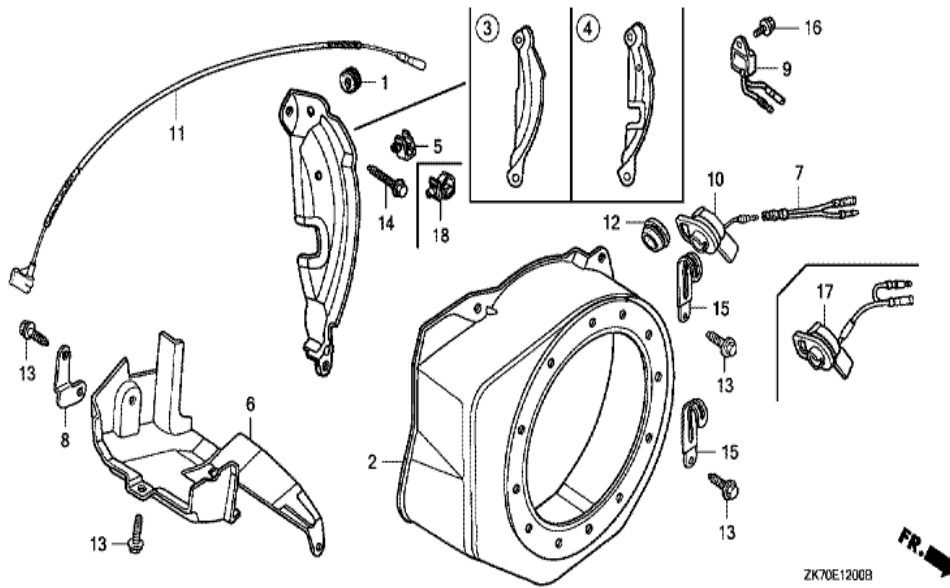
ZK70-E1100



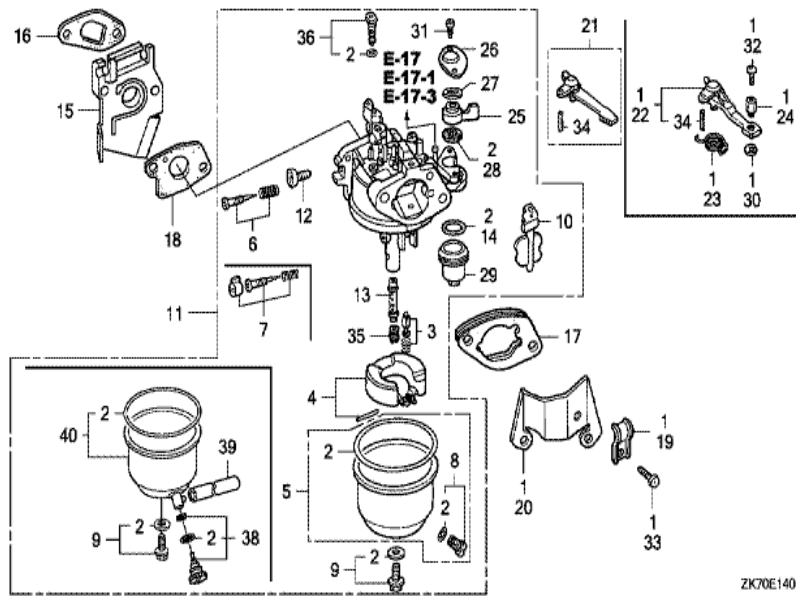
| <u>Ref</u> | <u>Partnumber</u> | <u>Description</u>                 | <u>GX120K1</u> | <u>Serial Numbers</u> |
|------------|-------------------|------------------------------------|----------------|-----------------------|
| 001        | 28400-ZH8-013YA   | STARTER ASSY., RECOIL *R280 *      | 1              | 4363433               |
| 002        | 28410-ZH8-003YA   | CASE COMP., RECOIL STARTER *R280 * | 1              |                       |
| 002        | 28410-ZH8-003YA   | CASE COMP., RECOIL STARTER *R280 * | 1              | 4363433               |
| 003        | 28420-ZH8-013     | REEL, RECOIL STARTER (NATURAL)     | 1              |                       |
| 003        | 28420-ZH8-013     | REEL, RECOIL STARTER (NATURAL)     | 1              | 4363433               |
| 004        | 28422-ZH8-013     | RATCHET, STARTER                   | 2              |                       |
| 004        | 28422-ZH8-013     | RATCHET, STARTER                   | 2              | 4363433               |
| 005        | 28433-ZH8-003     | GUIDE, RATCHET                     | 1              |                       |
| 005        | 28433-ZH8-003     | GUIDE, RATCHET                     | 1              | 4363433               |
| 006        | 28441-ZH8-003     | SPRING, FRICTION                   | 1              |                       |
| 006        | 28441-ZH8-003     | SPRING, FRICTION                   | 1              | 4363433               |
| 007        | 28442-ZH8-003     | SPRING, RECOIL STARTER             | 1              |                       |
| 007        | 28442-ZH8-003     | SPRING, RECOIL STARTER             | 1              | 4363433               |
| <u>Ref</u> | <u>Partnumber</u> | <u>Description</u>                 | <u>GX120K1</u> | <u>Serial Numbers</u> |
| 008        | 28443-ZH8-003     | SPRING, RETURN                     | 2              |                       |
| 008        | 28443-ZH8-003     | SPRING, RETURN                     | 2              | 4363433               |
| 009        | 28461-ZH8-003     | GRIP, STARTER                      | 1              |                       |
| 009        | 28461-ZH8-003     | GRIP, STARTER                      | 1              | 4363433               |
| 010        | 28462-ZH8-003     | ROPE, RECOIL STARTER               | 1              |                       |
| 010        | 28462-ZH8-003     | ROPE, RECOIL STARTER               | 1              | 4363433               |
| 011        | 90003-ZH8-003     | SCREW, SETTING                     | 1              |                       |
| 011        | 90003-ZH8-003     | SCREW, SETTING                     | 1              | 4363433               |
| 012        | 90008-ZE2-003     | BOLT, FLANGE, 6X10                 | 3              |                       |
| 012        | 90008-ZE2-003     | BOLT, FLANGE, 6X10                 | 3              | 4363433               |



| <u>Ref</u> | <u>Partnumber</u> | <u>Description</u>                 | <u>GX120K1</u> | <u>Serial Numbers</u> |
|------------|-------------------|------------------------------------|----------------|-----------------------|
| 001        | 28400-ZH8-023YA   | STARTER ASSY., RECOIL *R280 *      | 1              |                       |
| 001        | 28400-ZH8-023YA   | STARTER ASSY., RECOIL *R280 *      | 1              | 4363434               |
| 002        | 28410-ZH8-003YA   | CASE COMP., RECOIL STARTER *R280 * | 1              |                       |
| 002        | 28410-ZH8-003YA   | CASE COMP., RECOIL STARTER *R280 * | 1              | 4363434               |
| 003        | 28421-ZH8-801     | REEL, RECOIL STARTER (BLACK)       | 1              |                       |
| 003        | 28421-ZH8-801     | REEL, RECOIL STARTER (BLACK)       | 1              | 4363434               |
| 004        | 28422-ZH8-801     | RATCHET, STARTER                   | 2              |                       |
| 004        | 28422-ZH8-801     | RATCHET, STARTER                   | 2              | 4363434               |
| 005        | 28431-ZH8-801     | PLATE, FRICTION                    | 1              |                       |
| 005        | 28431-ZH8-801     | PLATE, FRICTION                    | 1              | 4363434               |
| 006        | 28433-ZH8-801     | GUIDE, RATCHET                     | 1              |                       |
| 006        | 28433-ZH8-801     | GUIDE, RATCHET                     | 1              | 4363434               |
| 007        | 28441-ZH8-801     | SPRING, FRICTION                   | 1              |                       |
| <u>Ref</u> | <u>Partnumber</u> | <u>Description</u>                 | <u>GX120K1</u> | <u>Serial Numbers</u> |
| 007        | 28441-ZH8-801     | SPRING, FRICTION                   | 1              | 4363434               |
| 008        | 28442-ZH8-003     | SPRING, RECOIL STARTER             | 1              |                       |
| 008        | 28442-ZH8-003     | SPRING, RECOIL STARTER             | 1              | 4363434               |
| 009        | 28443-ZH8-801     | SPRING, RETURN                     | 2              |                       |
| 009        | 28443-ZH8-801     | SPRING, RETURN                     | 2              | 4363434               |
| 010        | 28461-ZH8-003     | GRIP, STARTER                      | 1              |                       |
| 010        | 28461-ZH8-003     | GRIP, STARTER                      | 1              | 4363434               |
| 011        | 28462-ZH8-003     | ROPE, RECOIL STARTER               | 1              |                       |
| 011        | 28462-ZH8-003     | ROPE, RECOIL STARTER               | 1              | 4363434               |
| 012        | 90003-ZH8-801     | SCREW, SETTING                     | 1              |                       |
| 012        | 90003-ZH8-801     | SCREW, SETTING                     | 1              | 4363434               |
| 013        | 90008-ZE2-003     | BOLT, FLANGE, 6X10                 | 3              |                       |
| 013        | 90008-ZE2-003     | BOLT, FLANGE, 6X10                 | 3              | 4363434               |



| <u>Ref</u> | <u>Partnumber</u> | <u>Description</u>            | <u>GX120K1</u> | <u>Serial Numbers</u> |
|------------|-------------------|-------------------------------|----------------|-----------------------|
| 001        | 11347-371-300     | GROMMET, ADJUSTING COVER      | 1              |                       |
| 002        | 19610-ZE0-000ZS   | COVER COMP., FAN *R280 *      | (1)            |                       |
| 002        | 19610-ZE0-000ZS   | COVER COMP., FAN *R280 *      | 1              |                       |
| 003        | 19611-ZH7-810     | PLATE COMP., SIDE (OIL ALERT) | 1              |                       |
| 006        | 19630-ZH7-000     | SHROUD COMP.                  | 1              |                       |
| 009        | 34150-ZH7-003     | ALERT UNIT, OIL               | 1              |                       |
| 010        | 36100-ZH7-003     | SWITCH ASSY., ENGINE STOP     | 1              | 4453886               |
| 010        | 36100-ZH7-003     | SWITCH ASSY., ENGINE STOP     | 1              |                       |
| 011        | 36101-ZE1-010     | CORD, STOP SWITCH (370MM)     | 1              |                       |
| 013        | 90013-883-000     | BOLT, FLANGE, 6X12 (CT200)    | 4              |                       |
| 013        | 90013-883-000     | BOLT, FLANGE, 6X12 (CT200)    | 6              |                       |
| 014        | 90022-888-010     | BOLT, FLANGE, 6X20 (CT200)    | 1              |                       |
| 016        | 95701-0600800     | BOLT, FLANGE, 6X8             | 1              |                       |
| <u>Ref</u> | <u>Partnumber</u> | <u>Description</u>            | <u>GX120K1</u> | <u>Serial Numbers</u> |
| 018        | 90601-ZH7-013     | CLIP, HARNESS                 | 1              |                       |

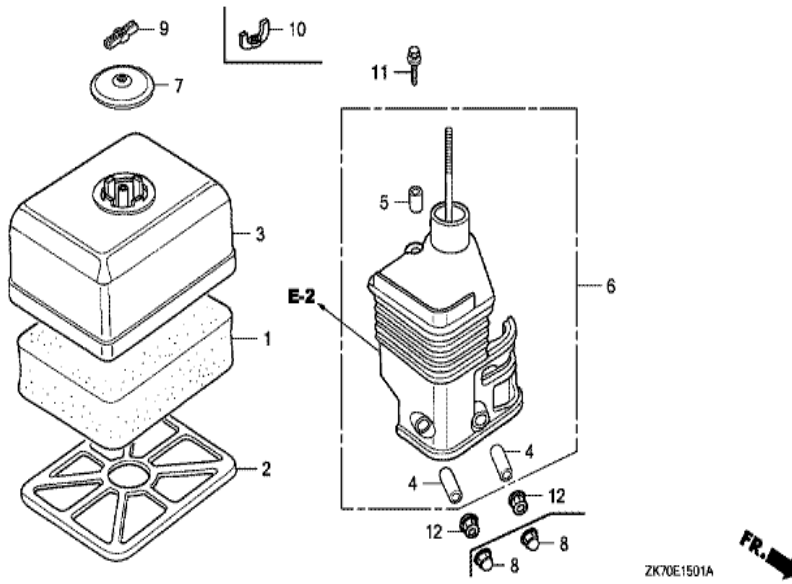


ZK70E1401D

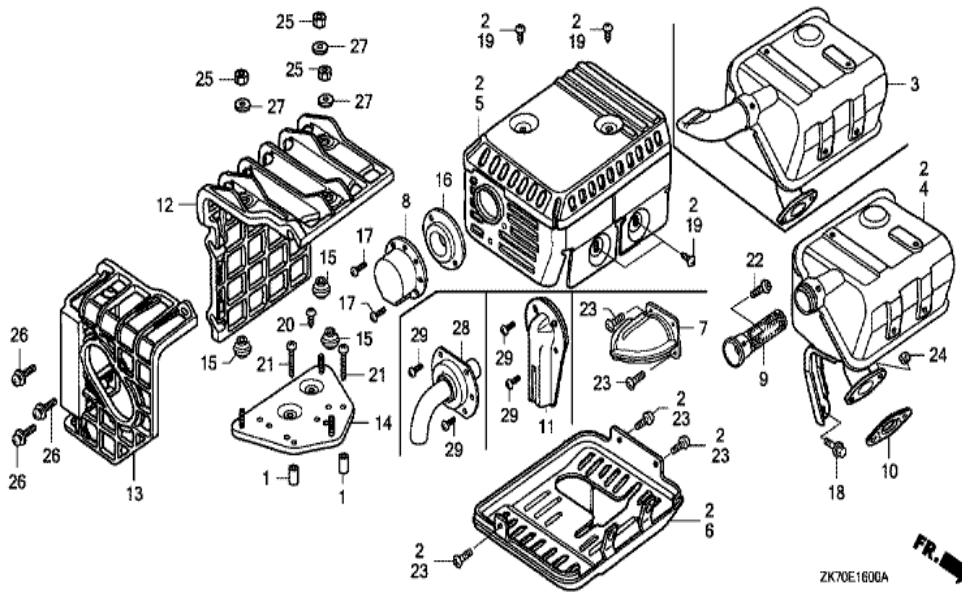


| Ref | Partnumber    | Description                | GX120K1 | Serial Numbers |
|-----|---------------|----------------------------|---------|----------------|
| 002 | 16010-ZE1-812 | GASKET SET                 | (1)     |                |
| 002 | 16010-ZE1-812 | GASKET SET                 | 1       |                |
| 003 | 16011-ZE0-005 | VALVE SET, FLOAT           | 1       |                |
| 004 | 16013-ZE0-005 | FLOAT SET                  | 1       |                |
| 005 | 16015-ZE0-831 | CHAMBER SET, FLOAT         | 1       |                |
| 007 | 16016-ZH7-W01 | SCREW SET, PILOT           | 1       |                |
| 008 | 16024-ZE1-811 | SCREW SET, DRAIN           | 1       |                |
| 009 | 16028-ZE0-005 | SCREW SET                  | 1       |                |
| 010 | 16044-ZE0-005 | CHOKE SET                  | 1       |                |
| 011 | 16100-ZH7-W61 | CARBURETOR ASSY. (BE60C B) | 1       |                |
| 011 | 16100-ZH7-W61 | CARBURETOR ASSY. (BE60C B) | 1       |                |
| 012 | 16124-ZE0-005 | SCREW, THROTTLE STOP       | 1       |                |
| 013 | 16166-ZH7-W50 | NOZZLE, MAIN               | 1       |                |

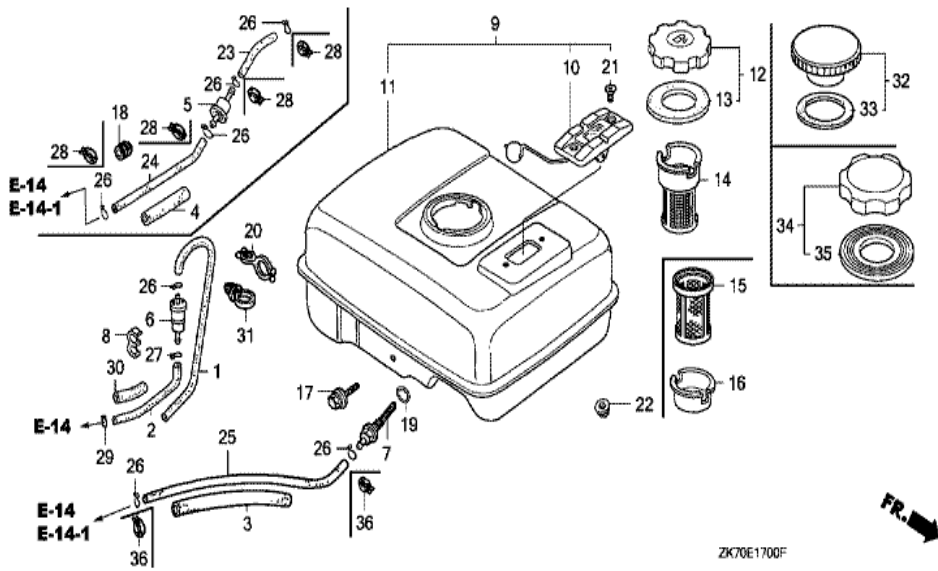
| <u>Ref</u> | <u>Partnumber</u> | <u>Description</u>         | <u>GX120K1</u> | <u>Serial Numbers</u> |
|------------|-------------------|----------------------------|----------------|-----------------------|
| 013        | 16166-ZH7-W50     | NOZZLE, MAIN               | 1              |                       |
| 014        | 16173-001-004     | PACKING, FUEL STRAINER CUP | 1              |                       |
| 015        | 16211-ZE0-000     | INSULATOR, CARBURETOR      | 1              |                       |
| 016        | 16212-ZH7-800     | PACKING, INSULATOR         | 1              |                       |
| 017        | 16220-ZE1-020     | SPACER COMP., CARBURETOR   | 1              |                       |
| 017        | 16220-ZE1-020     | SPACER COMP., CARBURETOR   | 1              |                       |
| 018        | 16221-ZH8-801     | PACKING, CARBURETOR        | 1              |                       |
| 018        | 16221-ZH8-801     | PACKING, CARBURETOR        | 1              |                       |
| 021        | 16610-ZE1-000     | LEVER COMP., CHOKE (STD.)  | (1)            |                       |
| 021        | 16610-ZE1-000     | LEVER COMP., CHOKE (STD.)  | 1              |                       |
| 025        | 16953-ZE1-812     | LEVER, COCK                | 1              |                       |
| 026        | 16954-ZE1-812     | PLATE, LEVER SETTING       | 1              |                       |
| 027        | 16956-ZE1-811     | SPRING, COCK LEVER         | 1              |                       |
| 028        | 16957-ZE1-812     | PACKING, FUEL COCK         | 1              |                       |
| 029        | 16967-ZE0-811     | CUP, FUEL STRAINER         | 1              |                       |
| 030        | 90605-230-000     | CIRCLIP, 5MM               | 1              |                       |
| 031        | 93500-030061H     | SCREW, PAN, 3X6            | 2              |                       |
| 034        | 94305-20122       | PIN, SPRING, 2X12          | 1              |                       |
| 035        | 99101-ZH80580     | JET, MAIN, #58             | (1)            | BE12A B               |
| 035        | 99101-ZH80580     | JET, MAIN, #58             | (1)            |                       |
| 035        | 99101-ZH80600     | JET, MAIN, #60             | (1)            |                       |
| 035        | 99101-ZH80600     | JET, MAIN, #60             | (1)            |                       |
| 035        | 99101-ZH80620     | JET, MAIN, #62             | 1              | BE60L A               |
| 035        | 99101-ZH80620     | JET, MAIN, #62             | 1              |                       |
| 036        | 99204-ZE00350     | JET SET, PILOT, #35        | 1              |                       |



| Ref | Partnumber    | Description                     | GX120K1 | Serial Numbers |
|-----|---------------|---------------------------------|---------|----------------|
| 001 | 17211-ZE1-000 | ELEMENT, AIR CLEANER (SEMI DRY) | 1       |                |
| 002 | 17212-ZE1-000 | GRID, AIR CLEANER (SEMI DRY)    | 1       |                |
| 003 | 17231-ZE0-000 | COVER, AIR CLEANER (SEMI DRY)   | 1       |                |
| 004 | 17238-ZE0-010 | COLLAR, AIR CLEANER             | 2       |                |
| 005 | 17239-ZE1-000 | COLLAR B, AIR CLEANER           | 1       |                |
| 006 | 17410-ZE0-030 | ELBOW COMP., AIR CLEANER        | 1       |                |
| 007 | 17421-ZE1-000 | CAP, CLEANER                    | 1       |                |
| 010 | 90325-044-000 | NUT, TOOL BOX SETTING           | 1       |                |
| 011 | 95701-0602000 | BOLT, FLANGE, 6X20              | 1       |                |
| 011 | 95701-0602000 | BOLT, FLANGE, 6X20              | 1       |                |
| 012 | 94050-06000   | NUT, FLANGE, 6MM                | 2       |                |

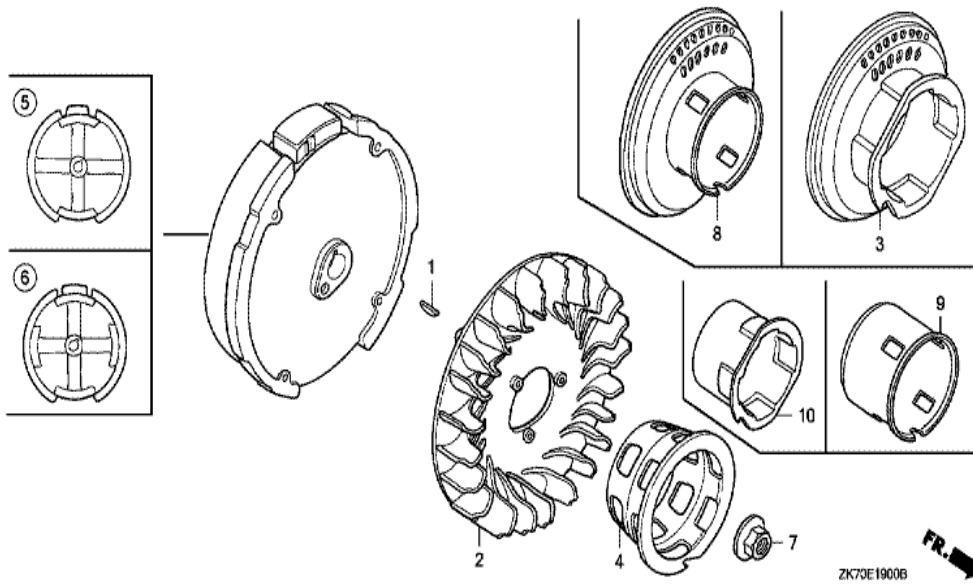


| Ref | Partnumber    | Description                       | GX120K1 | Serial Numbers |
|-----|---------------|-----------------------------------|---------|----------------|
| 004 | 18310-ZH8-810 | MUFFLER COMP. (ARRESTER)          | (1)     |                |
| 004 | 18310-ZH8-810 | MUFFLER COMP. (ARRESTER)          | 1       |                |
| 005 | 18320-ZF1-H01 | PROTECTOR, MUFFLER (STD.) (BLACK) | 1       |                |
| 005 | 18320-ZF1-H01 | PROTECTOR, MUFFLER (STD.) (BLACK) | 1       |                |
| 009 | 18355-ZE1-000 | ARRESTER, SPARK                   | 1       |                |
| 010 | 18381-ZH8-800 | GASKET, MUFFLER                   | 1       |                |
| 019 | 90050-ZE1-000 | SCREW, TAPPING, 5X8               | 4       |                |
| 022 | 90055-ZE1-000 | SCREW, TAPPING, 4X6               | 1       |                |
| 024 | 94001-080000S | NUT, HEX., 8MM                    | 2       |                |
| 024 | 94001-080000S | NUT, HEX., 8MM                    | 2       |                |

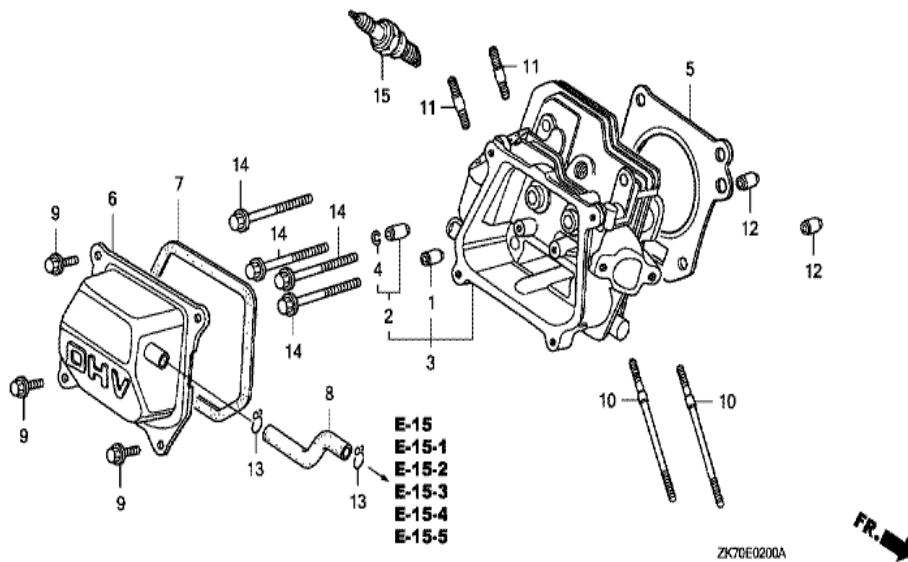


| Ref | Partnumber      | Description                               | GX120K1 | Serial Numbers |
|-----|-----------------|---|---------|----------------|
| 003 | 16854-ZH8-000   | RUBBER, SUPPORTER (107MM)                 | 1       |                |
| 007 | 16955-ZE1-000   | JOINT, FUEL TANK                          | 1       |                |
| 011 | 17510-ZE0-020ZA | TANK COMP., FUEL *NH31 *                  | 1       |                |
| 014 | 17672-ZE2-W01   | FILTER, FUEL                              | 1       |                |
| 014 | 17672-ZE2-W01   | FILTER, FUEL                              | 1       |                |
| 017 | 90004-ZH7-003   | BOLT, FLANGE, 6X29                        | 1       |                |
| 019 | 91353-671-004   | O-RING, 14MM (NOK)                        | 1       |                |
| 022 | 94050-06000     | NUT, FLANGE, 6MM                          | 2       |                |
| 025 | 95001-4514040   | TUBE, FUEL, 4.5X140 (95001-45001-60M)     | (1)     |                |
| 025 | 95001-4514040   | TUBE, FUEL, 4.5X140 (95001-45001-60M)     | 1       |                |
| 026 | 95002-02080     | CLIP, TUBE (B8)                           | 1       |                |
| 026 | 95002-02080     | CLIP, TUBE (B8)                           | 2       |                |
| 034 | 17620-Z0T-305   | CAP COMP., FUEL FILLER (CHROME PLATED)    | 1       |                |
| Ref | Partnumber      | Description                               | GX120K1 | Serial Numbers |
| 035 | 17631-Z0T-812   | PACKING, FUEL FILLER CAP (39X62X3) (TOUY) | 1       |                |

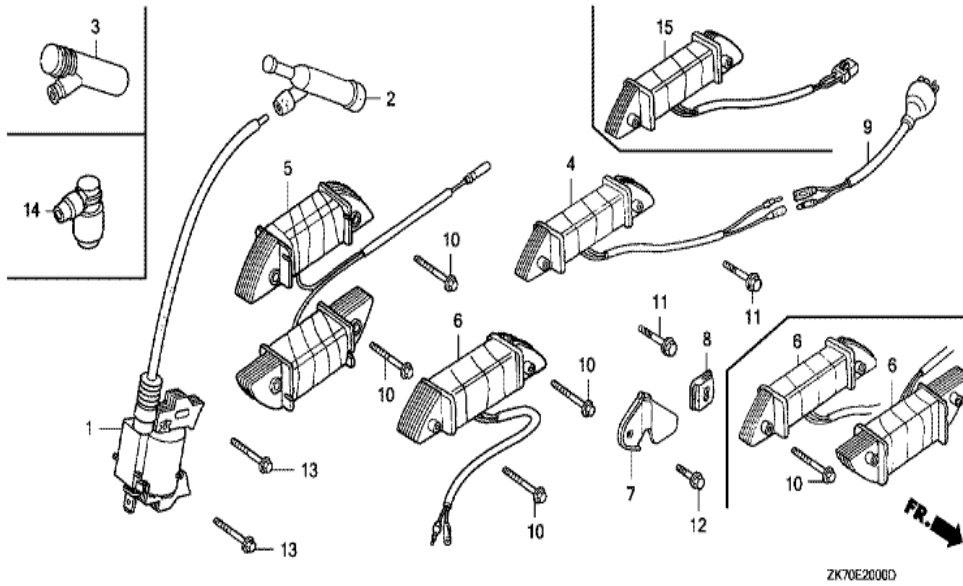




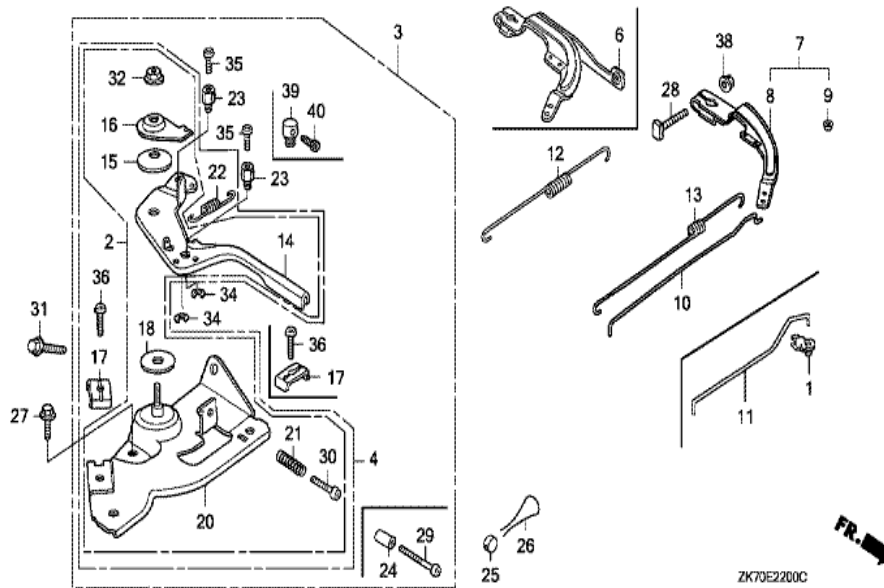
| Ref | Partnumber    | Description                  | GX120K1 | Serial Numbers |
|-----|---------------|------------------------------|---------|----------------|
| 001 | 13331-357-000 | KEY, SPECIAL WOODRUFF, 25X18 | 1       |                |
| 002 | 19511-ZE0-000 | FAN, COOLING                 | 1       |                |
| 005 | 31100-ZE0-010 | FLYWHEEL COMP.               | 1       |                |
| 007 | 90201-878-003 | NUT, SPECIAL, 14MM           | 1       |                |
| 009 | 28451-ZH7-801 | PULLEY, STARTER              | 1       |                |
| 009 | 28451-ZH7-801 | PULLEY, STARTER              | 1       | 4363434        |
| 010 | 28451-ZH7-003 | PULLEY, STARTER              | 1       |                |
| 010 | 28451-ZH7-003 | PULLEY, STARTER              | 1       | 4363433        |



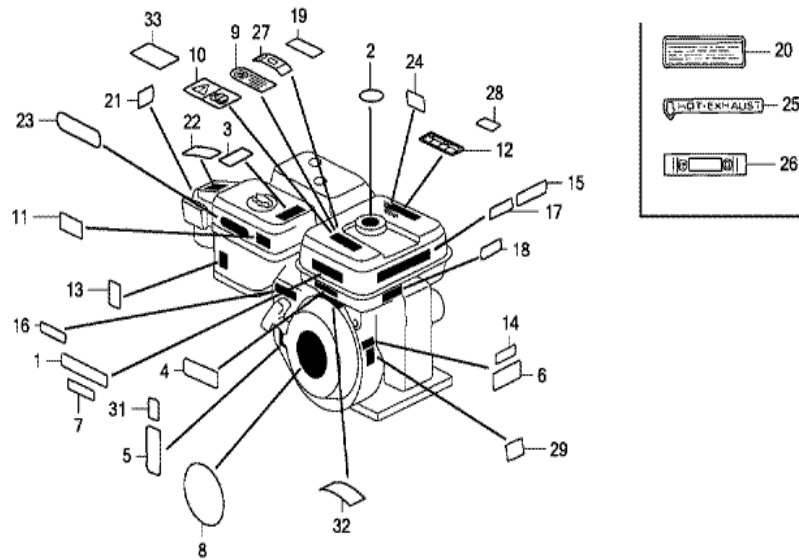
| Ref        | Partnumber        | Description                    | GX120K1        | Serial Numbers        |
|------------|-------------------|--------------------------------|----------------|-----------------------|
| 001        | 12204-ZE1-306     | GUIDE, IN. VALVE (OS)          | (1)            |                       |
| 002        | 12205-ZE1-315     | GUIDE, EX. VALVE (OS)          | (1)            |                       |
| 003        | 12210-ZH7-405     | HEAD COMP., CYLINDER           | 1              |                       |
| 003        | 12210-ZH7-405     | HEAD COMP., CYLINDER           | 1              | 4516043               |
| 003        | 12210-ZH7-415     | HEAD COMP., CYLINDER           | 1              |                       |
| 003        | 12210-ZH7-415     | HEAD COMP., CYLINDER           | 1              | 4516044               |
| 004        | 12216-ZE5-300     | CLIP, VALVE GUIDE              | 1              |                       |
| 005        | 12251-ZH7-800     | GASKET, CYLINDER HEAD          | (1)            |                       |
| 005        | 12251-ZH7-800     | GASKET, CYLINDER HEAD          | 1              |                       |
| 006        | 12310-ZE1-020     | COVER COMP., HEAD              | 1              |                       |
| 006        | 12310-ZE1-020     | COVER COMP., HEAD              | 1              |                       |
| 007        | 12391-ZE1-000     | PACKING, HEAD COVER            | 1              |                       |
| 008        | 15721-ZH8-000     | TUBE, BREATHER                 | (1)            |                       |
| <u>Ref</u> | <u>Partnumber</u> | <u>Description</u>             | <u>GX120K1</u> | <u>Serial Numbers</u> |
| 008        | 15721-ZH8-000     | TUBE, BREATHER                 | 1              |                       |
| 009        | 90013-883-000     | BOLT, FLANGE, 6X12 (CT200)     | 4              |                       |
| 010        | 90043-ZE1-020     | BOLT, STUD, 6X112              | 2              |                       |
| 010        | 90043-ZE1-020     | BOLT, STUD, 6X112              | 2              |                       |
| 011        | 90047-ZE1-000     | BOLT, STUD, 8X32               | 2              |                       |
| 012        | 94301-10160       | DOWEL PIN, 10X16               | 2              |                       |
| 014        | 95723-0805500     | BOLT, FLANGE, 8X55             | 4              |                       |
| 014        | 95723-0805500     | BOLT, FLANGE, 8X55             | 4              |                       |
| 015        | 98079-55846       | PLUG, SPARK (BPR5ES) (NGK)     | (1)            |                       |
| 015        | 98079-55846       | PLUG, SPARK (BPR5ES) (NGK)     | (1)            |                       |
| 015        | 98079-55855       | PLUG, SPARK (W16EPR-U) (DENSO) | (1)            |                       |
| 015        | 98079-55855       | PLUG, SPARK (W16EPR-U) (DENSO) | (1)            |                       |
| 015        | 98079-56846       | PLUG, SPARK (BPR6ES) (NGK)     | (1)            |                       |
| 015        | 98079-56846       | PLUG, SPARK (BPR6ES) (NGK)     | 1              |                       |
| 015        | 98079-56855       | PLUG, SPARK (W20EPR-U) (DENSO) | (1)            |                       |
| 015        | 98079-56855       | PLUG, SPARK (W20EPR-U) (DENSO) | 1              |                       |



| Ref | Partnumber    | Description                               | GX120K1 | Serial Numbers  |
|-----|---------------|---|---------|-----------------|
| 001 | 30500-ZE1-043 | COIL ASSY., IGNITION                      | 1       | 4450768         |
| 001 | 30500-ZE1-043 | COIL ASSY., IGNITION                      | 1       | 4450768         |
| 001 | 30500-ZE1-053 | COIL ASSY., IGNITION                      | 1       | 4456559         |
| 001 | 30500-ZE1-053 | COIL ASSY., IGNITION                      | 1       | 4450769 4456559 |
| 001 | 30500-ZE1-063 | COIL ASSY., IGNITION                      | 1       | 4456560         |
| 001 | 30500-ZE1-063 | COIL ASSY., IGNITION                      | 1       | 4456560         |
| 002 | 30700-ZE1-013 | CAP ASSY., NOISE SUPPRESSOR (NICHIIWA Y-E | (1)     |                 |
| 002 | 30700-ZE1-013 | CAP ASSY., NOISE SUPPRESSOR (NICHIIWA Y-E | 1       |                 |
| 013 | 90121-952-000 | BOLT, FLANGE, 6X25 (CT200)                | 2       |                 |

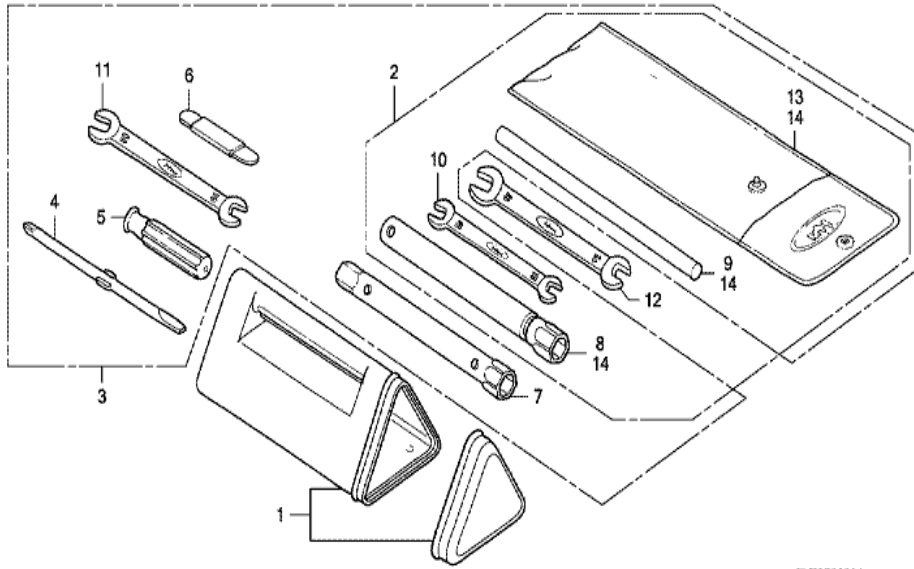


| Ref | Partnumber    | Description                | GX120K1 | Serial Numbers |
|-----|---------------|----------------------------|---------|----------------|
| 003 | 16500-ZH7-810 | CONTROL ASSY. (REMOTE)     | 1       |                |
| 008 | 16551-ZE0-010 | ARM, GOVERNOR              | 1       |                |
| 010 | 16555-ZE0-000 | ROD, GOVERNOR              | 1       |                |
| 012 | 16561-ZE0-020 | SPRING, GOVERNOR           | 1       |                |
| 013 | 16562-ZE0-020 | SPRING, THROTTLE RETURN    | 1       |                |
| 014 | 16571-ZH7-000 | LEVER, CONTROL             | (1)     |                |
| 014 | 16571-ZH7-000 | LEVER, CONTROL             | 1       |                |
| 015 | 16574-ZE1-000 | SPRING, LEVER              | 1       |                |
| 016 | 16575-ZH8-000 | WASHER, CONTROL LEVER      | 1       |                |
| 017 | 16576-891-000 | HOLDER, CABLE              | 1       |                |
| 018 | 16578-ZE1-000 | SPACER, CONTROL LEVER      | 1       |                |
| 020 | 16580-ZH7-810 | BASE COMP., CONTROL (###)  | (1)     |                |
| 020 | 16580-ZH7-810 | BASE COMP., CONTROL (###)  | 1       |                |
| Ref | Partnumber    | Description                | GX120K1 | Serial Numbers |
| 021 | 16584-883-300 | SPRING, CONTROL ADJUSTING  | 1       |                |
| 022 | 16592-ZE1-810 | SPRING, CABLE RETURN       | 1       |                |
| 023 | 16594-883-010 | HOLDER, WIRE               | 1       |                |
| 027 | 90013-883-000 | BOLT, FLANGE, 6X12 (CT200) | 1       |                |
| 028 | 90015-ZE5-010 | BOLT, GOVERNOR ARM         | 1       |                |
| 030 | 93500-050250H | SCREW, PAN, 5X25           | 1       |                |
| 030 | 93500-050250H | SCREW, PAN, 5X25           | 1       |                |
| 031 | 90022-888-010 | BOLT, FLANGE, 6X20 (CT200) | 1       |                |
| 032 | 90114-SA0-000 | NUT, SELF-LOCK, 6MM        | 1       |                |
| 034 | 90605-230-000 | CIRCLIP, 5MM               | 1       |                |
| 035 | 93500-040060H | SCREW, PAN, 4X6            | 1       |                |
| 036 | 93500-050160A | SCREW, PAN, 5X16           | 1       |                |
| 038 | 94050-06000   | NUT, FLANGE, 6MM           | 1       |                |



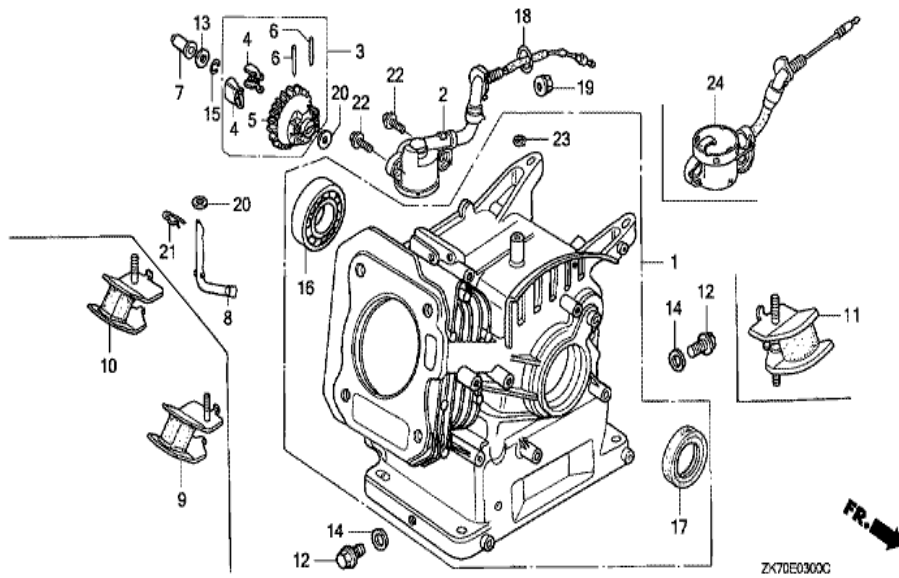
ZK70E2800D

| Ref | Partnumber    | Description                    | GX120K1 | Serial Numbers |
|-----|---------------|--------------------------------|---------|----------------|
| 001 | 87522-ZH9-010 | LABEL, CAUTION (ENGLISH, ETC.) | 1       |                |
| 001 | 87522-ZH9-010 | LABEL, CAUTION (ENGLISH, ETC.) | 1       |                |
| 004 | 87135-ZE2-020 | LABEL, E-SPEC (15.5X27.5)      | 1       |                |
| 004 | 87135-ZE2-020 | LABEL, E-SPEC (15.5X27.5)      | 1       | 4410587        |
| 008 | 87521-ZH7-030 | EMBLEM (4.0)                   | 1       |                |
| 008 | 87521-ZH7-030 | EMBLEM (4.0)                   | 1       |                |
| 013 | 87528-ZE1-810 | MARK, CHOKE                    | 1       | 4462599        |
| 013 | 87528-ZE1-810 | MARK, CHOKE                    | (1)     |                |
| 015 | 87532-ZB4-H50 | MARK, OIL ALERT (FRENCH)       | (1)     |                |
| 017 | 87532-ZH8-810 | MARK, OIL ALERT (ENGLISH)      | 1       |                |
| 017 | 87532-ZH8-810 | MARK, OIL ALERT (ENGLISH)      | 1       |                |



ZK70E2900A

| Ref | Partnumber    | Description              | GX120K1 | Serial Numbers |
|-----|---------------|--------------------------|---------|----------------|
| 008 | 89218-ZE1-000 | WRENCH COMP., SPARK PLUG | 1       |                |

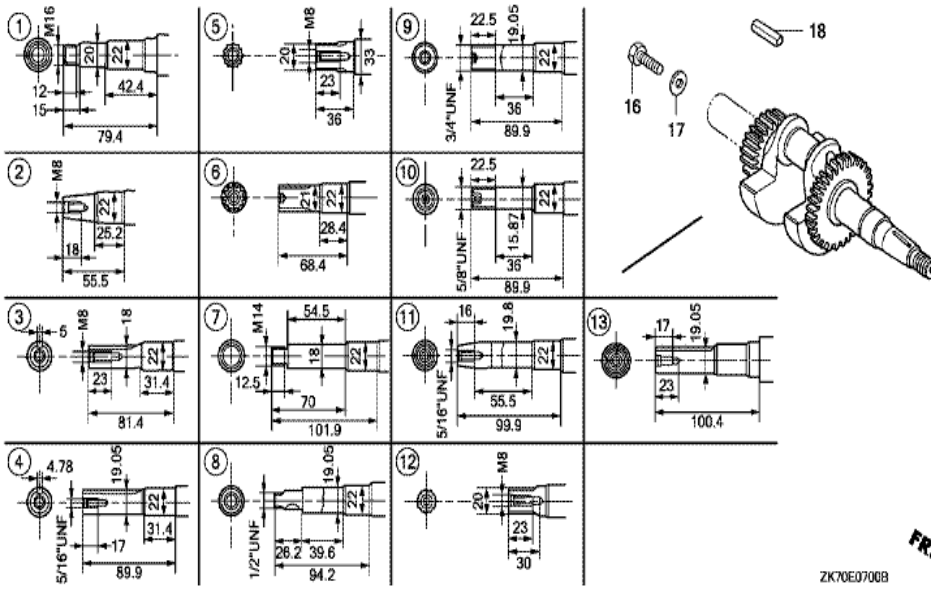


ZC70E0300C

| <u>Ref</u> | <u>Partnumber</u> | <u>Description</u>         | <u>GX120K1</u> | <u>Serial Numbers</u> |
|------------|-------------------|----------------------------|----------------|-----------------------|
| 001        | 12000-ZH7-425     | BARREL ASSY., CYLINDER     | (1)            |                       |
| 001        | 12000-ZH7-425     | BARREL ASSY., CYLINDER     | 1              |                       |
| 002        | 15510-ZE1-033     | SWITCH ASSY., OIL LEVEL    | 1              |                       |
| 003        | 16510-ZE1-000     | GOVERNOR ASSY.             | 1              |                       |
| 004        | 16511-ZE1-000     | WEIGHT, GOVERNOR           | 2              |                       |
| 005        | 16512-ZE1-000     | HOLDER, GOVERNOR WEIGHT    | 1              |                       |
| 006        | 16513-ZE1-000     | PIN, GOVERNOR WEIGHT       | 2              |                       |
| 007        | 16531-ZE1-000     | SLIDER, GOVERNOR           | 1              |                       |
| 008        | 16541-ZE1-000     | SHAFT, GOVERNOR ARM        | 1              |                       |
| 012        | 90131-ZE1-000     | BOLT, DRAIN PLUG           | 2              |                       |
| 013        | 90451-ZE1-000     | WASHER, THRUST, 6MM        | 1              |                       |
| 014        | 90601-ZE1-000     | WASHER, DRAIN PLUG, 10.2MM | 2              |                       |
| 015        | 90602-ZE1-000     | CLIP, GOVERNOR HOLDER      | 1              |                       |
| <u>Ref</u> | <u>Partnumber</u> | <u>Description</u>         | <u>GX120K1</u> | <u>Serial Numbers</u> |
| 016        | 91001-878-003     | BEARING, RADIAL BALL,      | 1              |                       |
| 017        | 91202-ZE6-013     | OIL SEAL, 22X35X6          | 1              |                       |
| 018        | 91353-671-004     | O-RING, 14MM (NOK)         | 1              |                       |
| 019        | 94050-10000       | NUT, FLANGE, 10MM          | 1              |                       |
| 020        | 94101-06800       | WASHER, PLAIN, 6MM         | 2              |                       |
| 021        | 94251-08000       | PIN, LOCK, 8MM             | 1              |                       |
| 022        | 95701-0601200     | BOLT, FLANGE, 6X12         | 2              |                       |



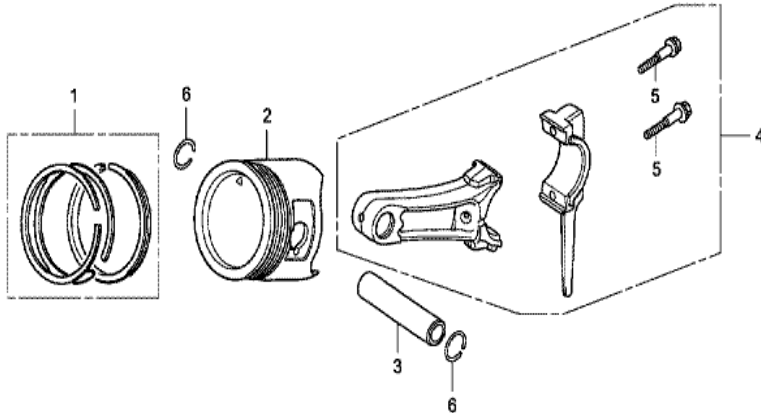




ZK70E0700B



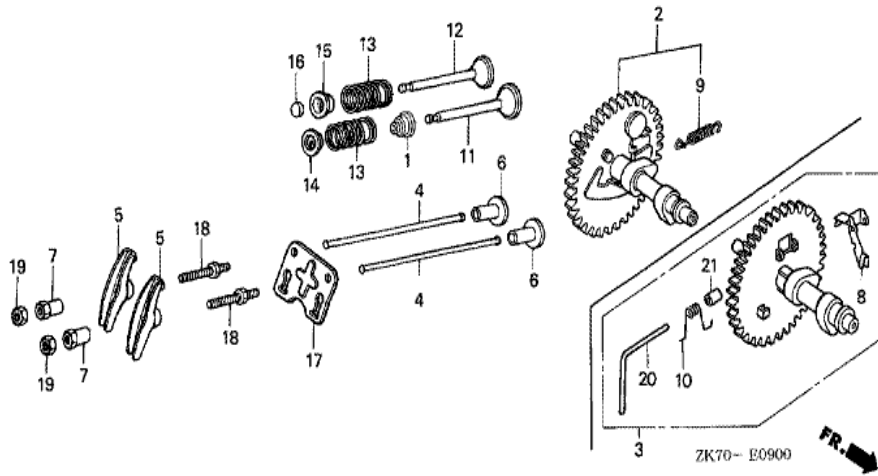
| Ref | Partnumber    | Description      | GX120K1 | Serial Numbers |
|-----|---------------|------------------|---------|----------------|
| 007 | 13310-ZE0-631 | CRANKSHAFT COMP. | 1       |                |



ZK70E0800A



| <u>Ref</u> | <u>Partnumber</u> | <u>Description</u>                | <u>GX120K1</u> | <u>Serial Numbers</u> |
|------------|-------------------|-----------------------------------|----------------|-----------------------|
| 001        | 13010-ZH7-003     | RING SET, PISTON (STD.) (TEIKOKU) | 1              | 4554249               |
| 001        | 13010-ZH7-003     | RING SET, PISTON (STD.) (TEIKOKU) | 1              |                       |
| 001        | 13010-ZH7-004     | RING SET, PISTON (STD.) (NIPPON)  | 1              | 4554249               |
| 001        | 13010-ZH7-004     | RING SET, PISTON (STD.) (NIPPON)  | 1              |                       |
| 001        | 13011-ZH7-003     | RING SET, PISTON (0.25) (TEIKOKU) | (1)            |                       |
| 001        | 13011-ZH7-003     | RING SET, PISTON (0.25) (TEIKOKU) | (1)            |                       |
| 001        | 13011-ZH7-004     | RING SET, PISTON (0.25) (NIPPON)  | (1)            |                       |
| 001        | 13011-ZH7-004     | RING SET, PISTON (0.25) (NIPPON)  | (1)            |                       |
| 001        | 13012-ZH7-003     | RING SET, PISTON (0.50) (TEIKOKU) | (1)            | 4554249               |
| 001        | 13012-ZH7-003     | RING SET, PISTON (0.50) (TEIKOKU) | (1)            |                       |
| 001        | 13012-ZH7-004     | RING SET, PISTON (0.50) (NIPPON)  | (1)            | 4554249               |
| 001        | 13012-ZH7-004     | RING SET, PISTON (0.50) (NIPPON)  | (1)            |                       |
| 001        | 13013-ZH7-003     | RING SET, PISTON (0.75) (TEIKOKU) | (1)            | 4554249               |
| <u>Ref</u> | <u>Partnumber</u> | <u>Description</u>                | <u>GX120K1</u> | <u>Serial Numbers</u> |
| 001        | 13013-ZH7-003     | RING SET, PISTON (0.75) (TEIKOKU) | (1)            |                       |
| 001        | 13013-ZH7-004     | RING SET, PISTON (0.75) (NIPPON)  | (1)            |                       |
| 001        | 13013-ZH7-004     | RING SET, PISTON (0.75) (NIPPON)  | (1)            |                       |
| 002        | 13101-ZH7-010     | PISTON (STD.)                     | 1              |                       |
| 002        | 13101-ZH7-010     | PISTON (STD.)                     | 1              | 4554249               |
| 002        | 13102-ZH7-010     | PISTON (0.25)                     | (1)            | 4554249               |
| 002        | 13102-ZH7-010     | PISTON (0.25)                     | (1)            | 4554249               |
| 002        | 13103-ZH7-010     | PISTON (0.50)                     | (1)            | 4554249               |
| 002        | 13103-ZH7-010     | PISTON (0.50)                     | (1)            | 4554249               |
| 002        | 13104-ZH7-010     | PISTON (0.75)                     | (1)            |                       |
| 002        | 13104-ZH7-010     | PISTON (0.75)                     | (1)            | 4554249               |
| 003        | 13111-ZE0-000     | PIN, PISTON                       | 1              |                       |
| 004        | 13200-ZE0-000     | ROD ASSY., CONNECTING             | 1              |                       |
| 005        | 90001-ZE1-000     | BOLT, CONNECTING ROD              | 2              |                       |
| 006        | 90551-ZE0-000     | CLIP, PISTON PIN, 13MM            | 2              |                       |



| <u>Ref</u> | <u>Partnumber</u> | <u>Description</u>         | <u>GX120K1</u> | <u>Serial Numbers</u> |
|------------|-------------------|----------------------------|----------------|-----------------------|
| 001        | 12209-ZH8-003     | SEAL, VALVE STEM           | 1              |                       |
| 002        | 14100-ZE0-812     | CAMSHAFT ASSY.             | 1              |                       |
| 004        | 14410-ZE0-010     | ROD, PUSH                  | 2              |                       |
| 005        | 14431-ZE1-000     | ARM, VALVE ROCKER          | 2              |                       |
| 006        | 14441-ZE1-010     | LIFTER, VALVE              | 2              |                       |
| 007        | 14451-ZE1-013     | PIVOT, ROCKER ARM          | 2              |                       |
| 007        | 14451-ZE1-013     | PIVOT, ROCKER ARM          | 2              |                       |
| 009        | 14568-ZE1-000     | SPRING, WEIGHT RETURN      | 1              |                       |
| 011        | 14711-ZF0-010     | VALVE, IN.                 | 1              |                       |
| 011        | 14711-ZF0-010     | VALVE, IN.                 | 1              |                       |
| 012        | 14721-ZF0-000     | VALVE, EX.                 | 1              |                       |
| 013        | 14751-ZF1-000     | SPRING, VALVE              | 2              |                       |
| 014        | 14771-ZE1-000     | RETAINER, IN. VALVE SPRING | 1              |                       |
| <u>Ref</u> | <u>Partnumber</u> | <u>Description</u>         | <u>GX120K1</u> | <u>Serial Numbers</u> |
| 015        | 14773-ZE1-000     | RETAINER, EX. VALVE SPRING | 1              |                       |
| 016        | 14781-ZE1-000     | ROTATOR, VALVE             | 1              |                       |
| 017        | 14791-ZE0-010     | PLATE, PUSH ROD GUIDE      | 1              |                       |
| 018        | 90012-ZE0-010     | BOLT, PIVOT, 8MM           | 2              |                       |
| 019        | 90206-ZE1-000     | NUT, PIVOT ADJUSTING       | 2              |                       |