



**BOSCH**

# Cordless Angle Grinder

GWX18V-8 | 3 601 JH9 111

---

## Table of Content

Spare parts list.....	2
Illustration - Type.....	4

# Cordless Angle Grinder | GWX18V-8 | 3 601 JH9 111

## Spare parts list

Item	Part Number	Description	Illustration
1	1 619 P15 044	Motor Housing	1
2	1 600 A01 A6N	Stator	1
3	1 600 A02 4BM	Rotor	1
5	1 606 610 16E	Fan	1
6	1 600 591 065	Air-Deflector Ring	1
8	1 619 P16 460	Nameplate	1
9	1 619 P16 461	Manufacturer's nameplate	1
18	1 619 P15 338	Switch Handle	1
20	1 619 P15 050	Adjusting Slide	1
33	1 619 P14 427	O-Ring	1
35	1 600 136 013	Shim 0,1 MM THICK	1
35	1 600 136 014	Shim 0,2 MM THICK	1
41	1 600 A01 2V6	Plain bearing	1
45	1 619 P17 544	Hex Nut	1
46	1 609 280 477	Compression Spring	1
49	1 603 435 08X	Thread-forming tap. Screw M4x16-St w/ Precote 85-3	1
50	2 609 110 201	Torx Flat-Head Screw 3x16	1
51	1 600 A01 NC3	Electronics Module	1
54	2 603 490 025	Torx Oval-Head Screw 4x30	1
55	1 619 P01 066	Torx Oval-Head Screw 4x25	1
56	1 600 A01 2X9	Braking Element	1
60	1 619 P15 795	Reverse-Transfer Lever	1
61	1 619 P15 806	Torsion Spring	1
62	3 600 210 109	O-Ring 47,0x1,5 MM	1
97	1 619 P15 486	Warning Plate	1
98	1 619 P15 487	Warning Plate	1
101	1 600 A01 6PJ	Lever	1
102	1 600 A01 2V3	Torsion Spring	1
103	1 600 A01 2V4	Straight Pin	1
180	1 619 P15 799	Sticker	1
310/14	1 619 P09 955	groove ball bearing	1
310/27	1 600 206 025	Rubber Ring	1
310/37	1 600 A00 P17	Holder	1
310/40	1 600 119 011	Retaining clip	1

**Spare parts list**

<b>Item</b>	<b>Part Number</b>	<b>Description</b>	<b>Illustration</b>
310/42	1 600 A01 Z23	Retaining Washer	1
310/43	1 600 A01 MB5	profile gasket	1
310/7	1 619 P16 508	Air Distributor	1
828	1 619 P16 951	Bearing Flange	1
831	1 619 P17 240	Gear Housing	1
838	1 619 P16 953	Gear Unit	1
839	1 607 000 CA5	Bevel Gear Shaft	1
843	1 607 000 742	Catch Lever	1
884	1 607 000 CA9	Filter Unit	1
650/1	1 602 025 027	Auxiliary Handle M10	2
651	1 600 A00 XL4	Protective Cover	2
652	2 607 225 927	Charger USA BC 1880 CV 13,3-18V/120V	2
653	1 607 A35 0CH	Battery Pack GBA18V80 8.0Ah ProCore SCM	2
894	1 615 430 020	Grease Tube 225 ML	2
895	1 605 430 003	Grease Tube 225 ML	2

Illustration - Type - E

3 601 JH9 111  
Stand | 22-02  
Issue | 22-12-23

Fig./Abb. 1

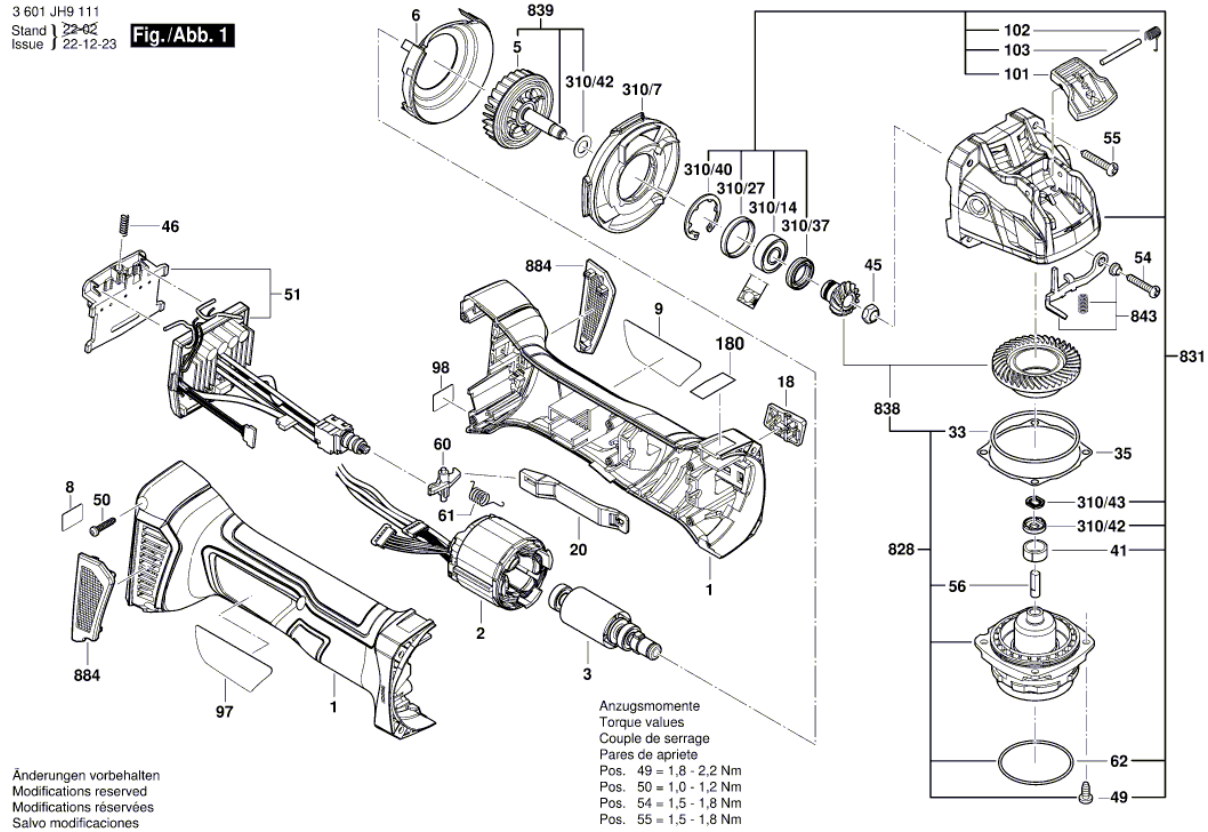
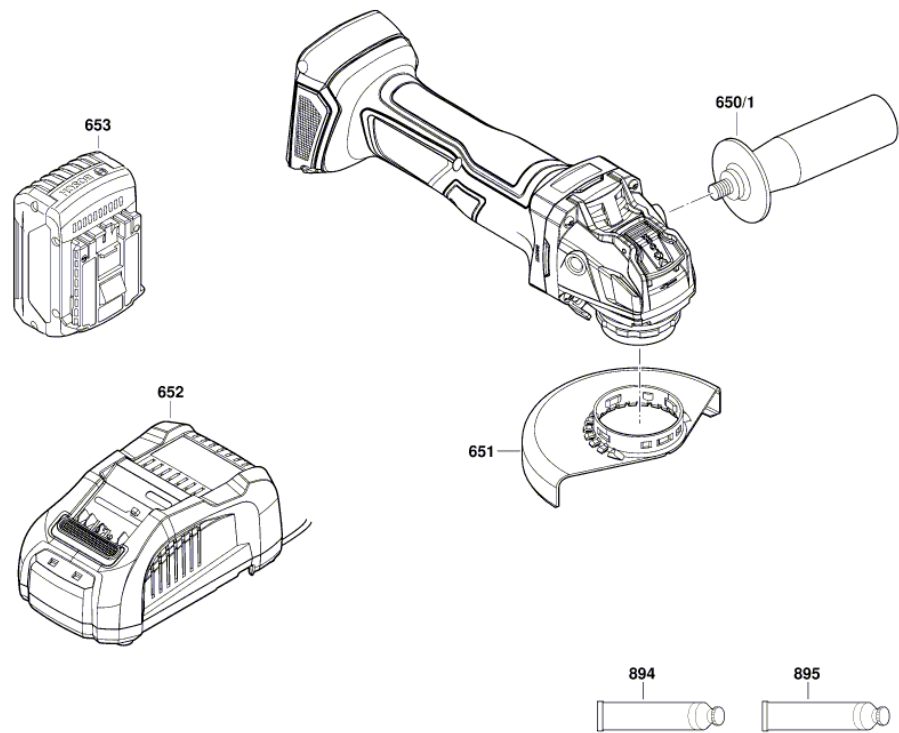


Illustration - Type - E

3 601 JH9 111  
Stand } 22-01-17  
Issue } **Fig. /Abb. 2**



Änderungen vorbehalten  
Modifications reserved  
Modifications réservées  
Salvo modificaciones