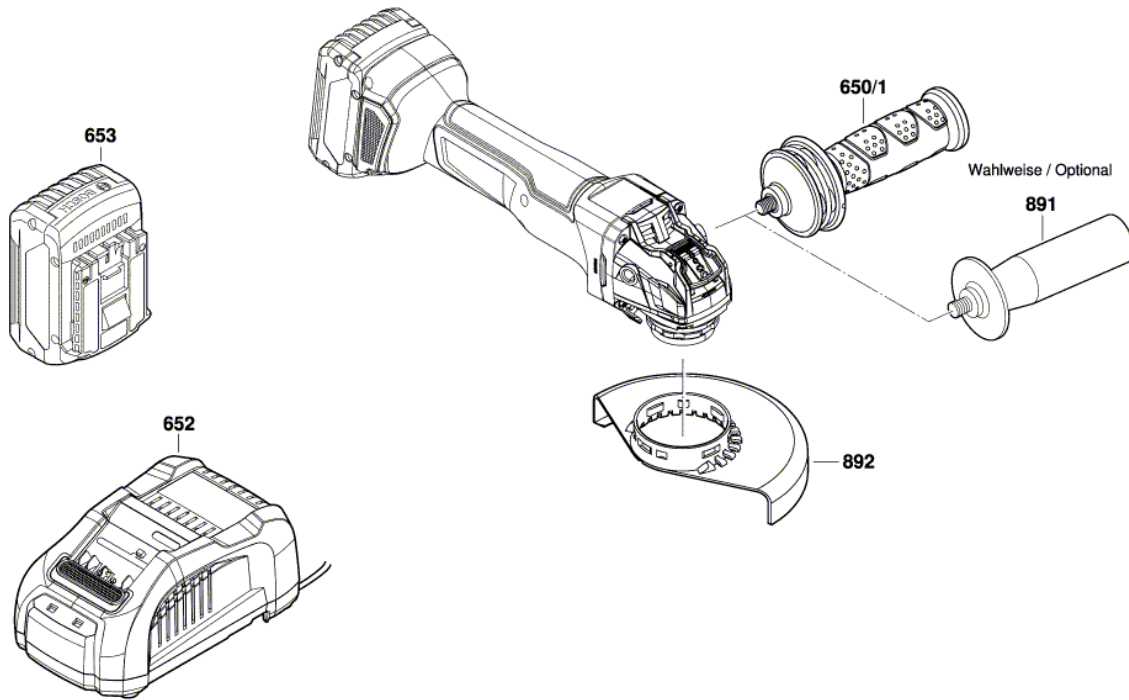






3 601 GB0 610  
Stand } 19-03-21  
Issue } **Fig. /Abb. 2**



Änderungen vorbehalten  
Modifications reserved  
Modifications réservées  
Salvo modificaciones



| Pos.   | Part Number   | Description           | Pos. | Part Number | Description |
|--------|---------------|-----------------------|------|-------------|-------------|
| 1      | 1 605 108 2EL |                       |      |             |             |
| 5      | 1 606 610 16E |                       |      |             |             |
| 6      | 1 600 591 065 |                       |      |             |             |
| 8      | 1 601 11A 6V3 |                       |      |             |             |
| 9      | 1 601 11C 2VA |                       |      |             |             |
| 12     | 1 600 A00 RK2 |                       |      |             |             |
| 17     | 1 600 100 P12 |                       |      |             |             |
| 18     | 1 600 A00 R9F |                       |      |             |             |
| 33     | 1 600 210 035 | O-Ring                |      |             |             |
| 34     | 1 600 A01 2X9 |                       |      |             |             |
| 35     | 1 600 136 013 | Shim                  |      |             |             |
| 35     | 1 600 136 014 | Shim                  |      |             |             |
| 35     | 1 600 136 015 | Shim                  |      |             |             |
| 35     | 1 600 136 020 |                       |      |             |             |
| 36     | 1 610 100 023 |                       |      |             |             |
| 45     | 1 603 300 016 | Hex Nut               |      |             |             |
| 46     | 1 609 280 477 |                       |      |             |             |
| 49     | 1 603 435 08X |                       |      |             |             |
| 50     | 1 603 435 071 | Tapping Screw         |      |             |             |
| 53     | 1 603 435 078 |                       |      |             |             |
| 54     | 1 603 414 026 |                       |      |             |             |
| 60     | 1 600 A00 R9L |                       |      |             |             |
| 90     | 1 600 A00 P2N |                       |      |             |             |
| 91     | 1 607 503 438 |                       |      |             |             |
| 92     | 1 600 A00 M53 |                       |      |             |             |
| 94     | 1 605 500 2BV |                       |      |             |             |
| 95     | 1 600 A00 P1B |                       |      |             |             |
| 97     | 1 601 11C 2A1 |                       |      |             |             |
| 98     | 1 601 11C 16U |                       |      |             |             |
| 321/7  | 1 600 591 05N |                       |      |             |             |
| 321/14 | 1 600 905 032 | groove ball bearing   |      |             |             |
| 321/27 | 1 600 206 025 | Rubber Ring           |      |             |             |
| 321/37 | 1 600 A00 P17 |                       |      |             |             |
| 321/40 | 1 600 119 011 | Spring retaining ring |      |             |             |
| 343    | 1 607 000 742 | Catch Lever           |      |             |             |
| 343/44 | 1 604 611 042 |                       |      |             |             |
| 650/1  | 1 602 025 052 | Auxiliary Handle      |      |             |             |
| 652    | 2 607 225 921 |                       |      |             |             |
| 653    | 2 607 337 069 |                       |      |             |             |
| 802    | 1 607 000 CA4 |                       |      |             |             |
| 803    | 1 607 000 CA5 |                       |      |             |             |
| 821    | 1 607 000 D7P |                       |      |             |             |
| 828    | 1 607 000 D5J |                       |      |             |             |
| 828/04 | 3 600 210 109 | O-Ring                |      |             |             |
| 840    | 1 607 000 D5X |                       |      |             |             |
| 841    | 1 607 000 D5Z |                       |      |             |             |
| 851    | 1 607 000 D90 |                       |      |             |             |
| 884    | 1 607 000 CA9 |                       |      |             |             |
| 891    | 2 602 025 067 | Auxiliary Handle      |      |             |             |
| 892    | 1 607 000 DG8 |                       |      |             |             |