



BOSCH

Cordless Angle Grinder

GWX18V-13C | 3 601 JH6 613

Table of Content

Spare parts list.....	2
Illustration - Type.....	4

Cordless Angle Grinder | GWX18V-13C | 3 601 JH6 613

Spare parts list					
Item	Part Number	Description			Illustration
1	1 605 108 2JL	Motor Housing			1
2	1 607 022 661	DC motor			1
3	1 600 A02 4C4	Contact Plate			1
4	1 600 A01 6JC	Switch Unit			1
5	1 600 A01 8Z2	Ribbon cable			1
7	1 600 A01 6U4	Cover Ring			1
9	1 601 11C 3PL	Manufacturer's nameplate			1
18	1 600 A01 6PW	Switch Handle			1
19	1 604 612 03M	Compression Spring			1
20	1 600 A01 6PX	Switch Slide			1
33	1 600 210 035	O-Ring	46,0x1,1 MM		1
34	1 600 A01 2X9	Braking Element			1
35	1 600 136 013	Shim	0,1 MM	THICK	1
35	1 600 136 014	Shim	0,2 MM	THICK	1
35	1 600 136 015	Shim	0,3 MM	THICK	1
35	1 600 136 020	Shim	0,15 MM	THICK	1
45	1 603 300 016	Hex Nut	M7, SW10		1
49	1 603 435 08X	Thread-forming tap. Screw	M4x16-St w/ Precote 85-3		1
50	1 603 435 071	Thread-forming tap. Screw			1
53	1 603 435 078	Torx Oval-Head Screw			1
54	1 603 414 026	Torx Oval-Head Screw	4x30		1
55	1 603 430 03T	Screw			1
92	1 600 A01 6ML	Cover Panel			1
94	1 605 500 2FA	Cover			1
95	1 600 A01 9TY	Dust-Protection Cover			1
97	1 601 11C 3XR	Warning Plate			1
98	1 601 11C 32T	Warning Plate			1
343	1 607 000 742	Catch Lever			1
343/44	1 604 611 042	Compression Spring			1
808	1 601 11A 80M	Nameplate			1
821	1 607 000 EA5	Gear Housing			1
828	1 607 000 D5J	Parts Set			1
828/04	3 600 210 109	O-Ring	47,0x1,5 MM		1
840	1 607 000 D5Y	Parts Set			1

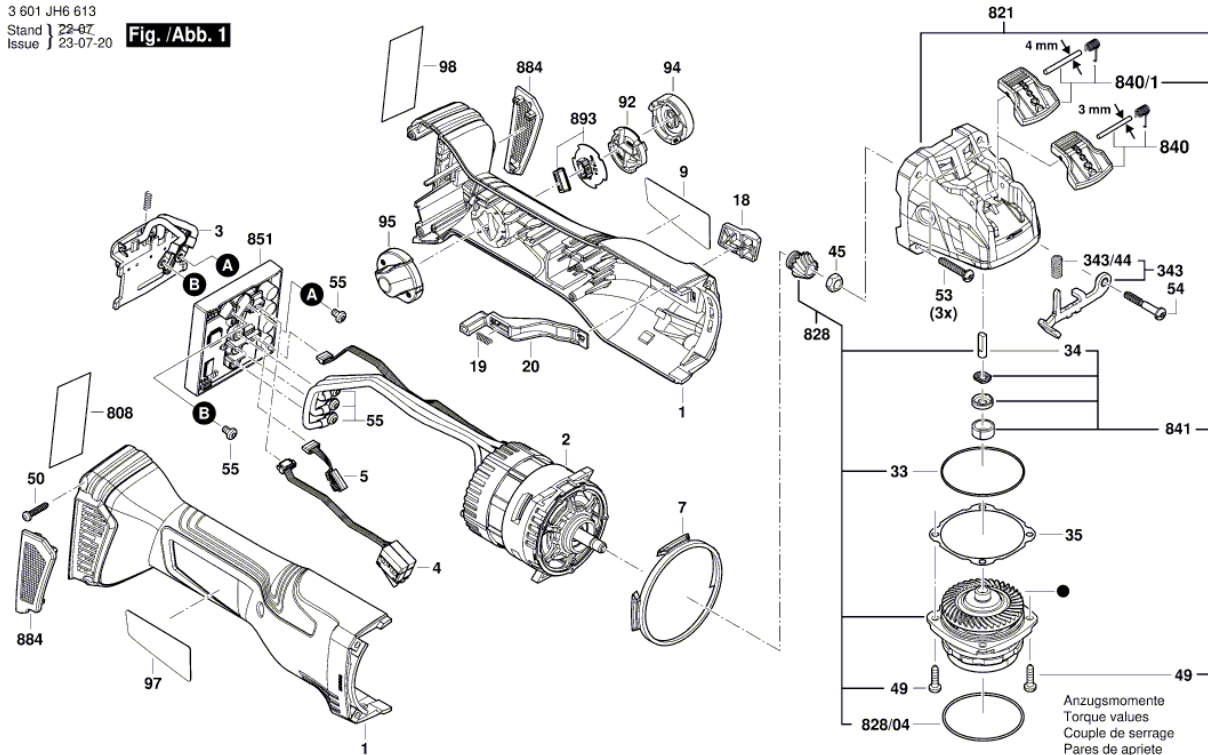
Spare parts list

Item	Part Number	Description		Illustration
840/1	1 607 000 EA7	Lever		1
841	1 607 000 D5Z	Parts Set		1
851	1 607 000 E28	Electronic Module		1
884	1 607 000 CA9	Filter Unit		1
893	1 607 000 D91	Electronics Module		1
650/1	1 602 025 0A0	Auxiliary Handle		2
651	1 607 000 D8C	Protective Cover		2
653	1 607 A35 0CH	Battery Pack SCM	GBA18V80 8.0Ah ProCore	2
653	1 607 A35 0CM	Battery Pack	USA GBA18V120	2

Illustration - Type - E

3 601 JH6 613
 Stand | 22-07
 Issue | 23-07-20

Fig./Abb. 1



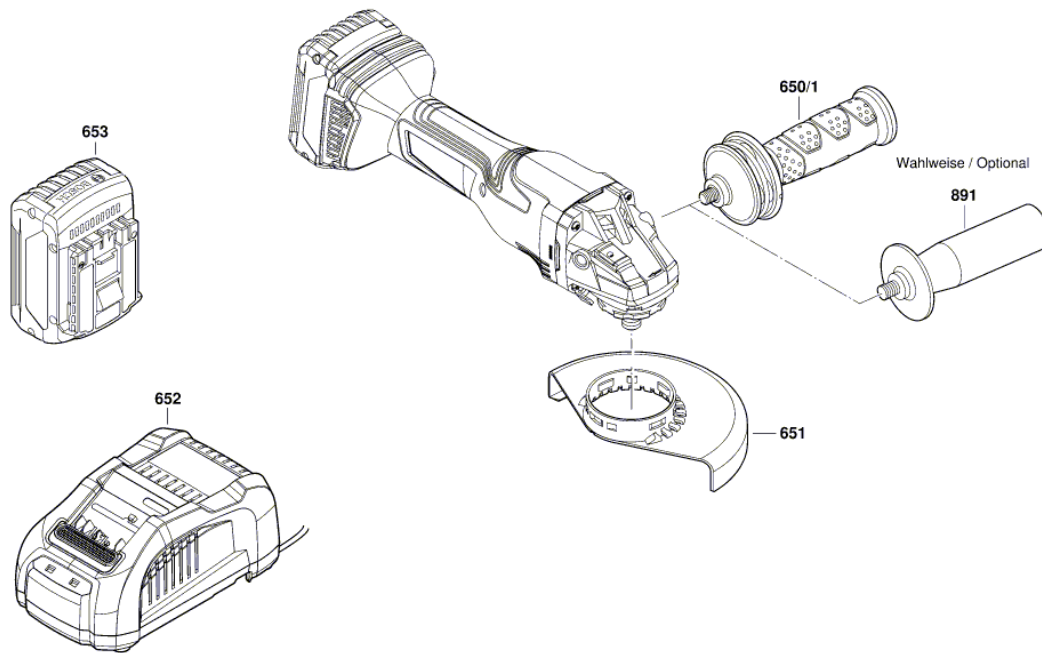
Änderungen vorbehalten
 Modifications reserved
 Modifications réservées
 Salvo modificaciones

● = Zahnspiel 0,05 - 0,20mm mit Pos. 35 eingestellt
 Tooth clearance 0,05 - 0,20mm adjusted with Pos. 35

Anzugsmomente
 Torque values
 Couple de serrage
 Pares de apriete
 Pos. 45 = 8,0 - 12 Nm
 Pos. 49 = 2,6 - 3,5 Nm
 Pos. 50 = 0,8 - 1,0 Nm
 Pos. 53 = 1,5 - 1,8 Nm
 Pos. 54 = 1,5 - 1,8 Nm

Illustration - Type - E

3 601 JH6 613
Stand } 20-05-12
Issue } **Fig. /Abb. 2**



Änderungen vorbehalten
Modifications reserved
Modifications réservées
Salvo modificaciones