



**BOSCH**

# Angle Grinder

GWX 13-50VSP | 3 601 GC0 011

---

## Table of Content

Spare parts list.....	2
Illustration - Type.....	4

# Angle Grinder | GWX 13-50VSP | 3 601 GC0 011

Spare parts list					
Item	Part Number	Description			Illustration
2	1 604 220 479	Field	110-127V		1
3/13	2 600 905 032	Ball Bearing	7x19x6		1
4	1 607 200 35A	Switch			1
5	1 604 460 336	Power supply cord x 1,31mm SJ 16/2	USA/CAN/SMA 2,68m 2		1
6	1 600 703 043	Grommet			1
7	1 601 302 017	Fastening Clamp			1
9	1 601 11C 2TZ	Manufacturer's nameplate			1
14	1 600 905 032	groove ball bearing	8x22x7		1
25	1 605 108 292	Housing Section			1
27	1 600 206 025	Rubber Ring			1
29	1 600 591 047	Air-Deflector Ring			1
30	1 600 591 048	Air Distributor			1
33	1 600 210 035	O-Ring	46,0x1,1 MM		1
34	1 600 A01 2X9	Braking Element			1
35	1 600 136 013	Shim	0,1 MM	THICK	1
35	1 600 136 014	Shim	0,2 MM	THICK	1
35	1 600 136 015	Shim	0,3 MM	THICK	1
35	1 600 136 020	Shim	0,15 MM	THICK	1
37	1 600 290 016	Rotary shaft lip seal			1
40	1 600 119 011	Retaining clip			1
45	1 603 300 016	Hex Nut	M7, SW10		1
49	1 603 435 08X	Thread-forming tap. Screw	M4x16-St w/ Precote 85-3		1
53	1 603 435 078	Torx Oval-Head Screw			1
54	1 603 414 026	Torx Oval-Head Screw	4x30		1
55	2 603 490 021	Torx Oval-Head Screw	4x12		1
58	1 604 617 012	Compression Spring			1
59	1 602 002 015	Locking Lever			1
60	1 602 026 095	Reverse-Transfer Lever			1
61	1 600 A00 X5A	Straight Pin			1
301/17	1 604 652 021	Spiral Spring			1
301/48	1 613 435 034	Lens Head Screw	3x10 ST		1
343	1 607 000 742	Catch Lever			1
343/44	1 604 611 042	Compression Spring			1
801	1 607 000 D99	Motor Housing			1

Spare parts list

Item	Part Number	Description	Illustration
803	1 607 000 V65	Armature 120V	1
810	1 607 000 V61	Carbon-Brush Set	1
813	1 607 000 V38	groove ball bearing	1
816	1 607 000 V43	Brush Holder	1
818	1 607 000 505	Switch-Pawl	1
821	1 607 000 EA1	Gear Housing	1
828	1 607 000 D5G	Parts Set	1
828/04	3 600 210 109	O-Ring 47,0x1,5 MM	1
835	1 606 610 132	Fan	1
840	1 607 000 D5Y	Parts Set	1
841	1 607 000 D5Z	Parts Set	1
851	1 607 233 5DN	Speed governor	1
852	1 607 000 V42	Pan head screw	1
650/1	1 602 025 0A0	Auxiliary Handle	2
651	1 600 A00 XL5	Protective Cover	2

Illustration - Type - E

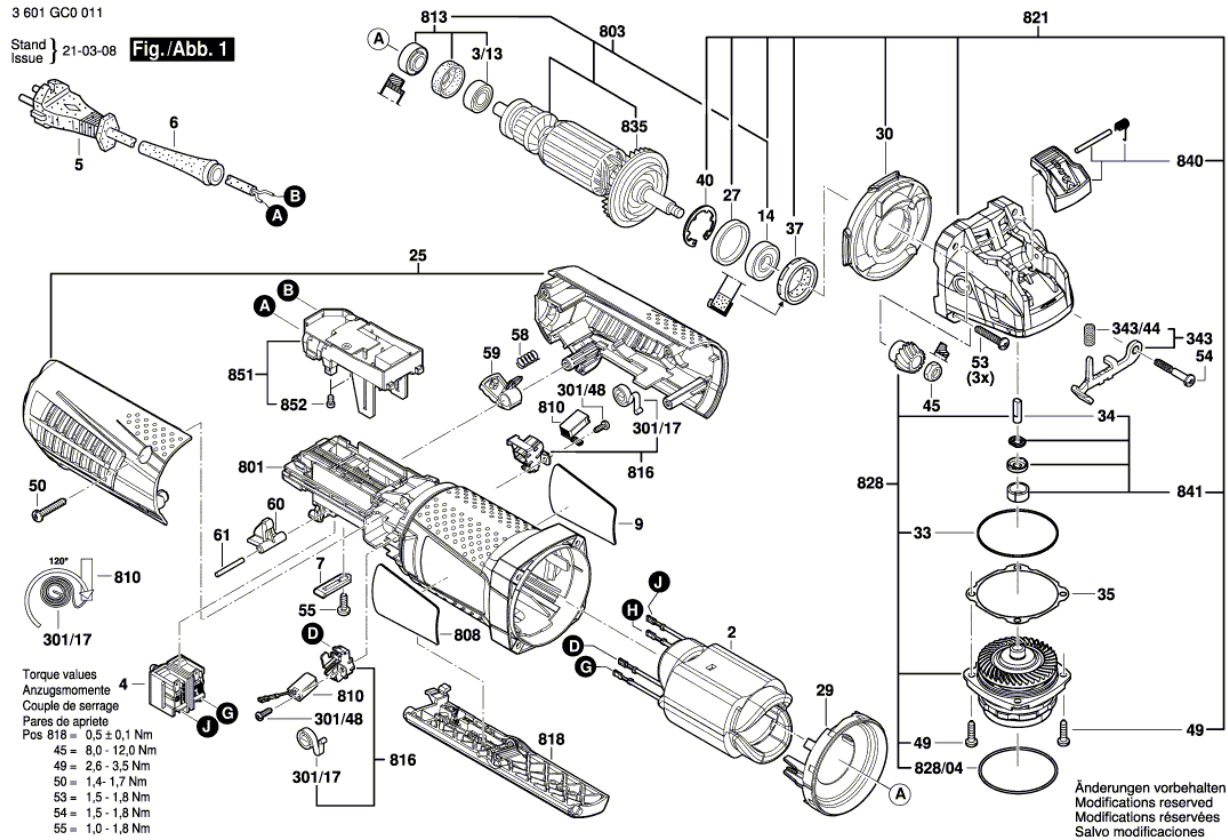
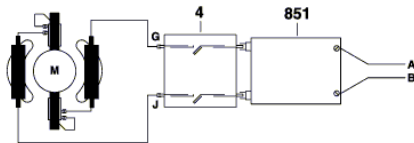
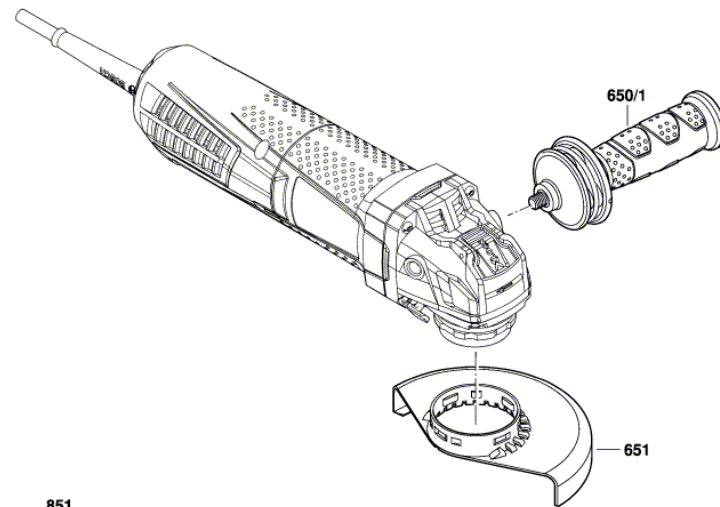


Illustration - Type - E

3 601 GC0 011

Stand } 21-03-08 **Fig./Abb. 2**  
Issue }



Änderungen vorbehalten  
Modifications reserved  
Modifications réservées  
Salvo modificaciones