

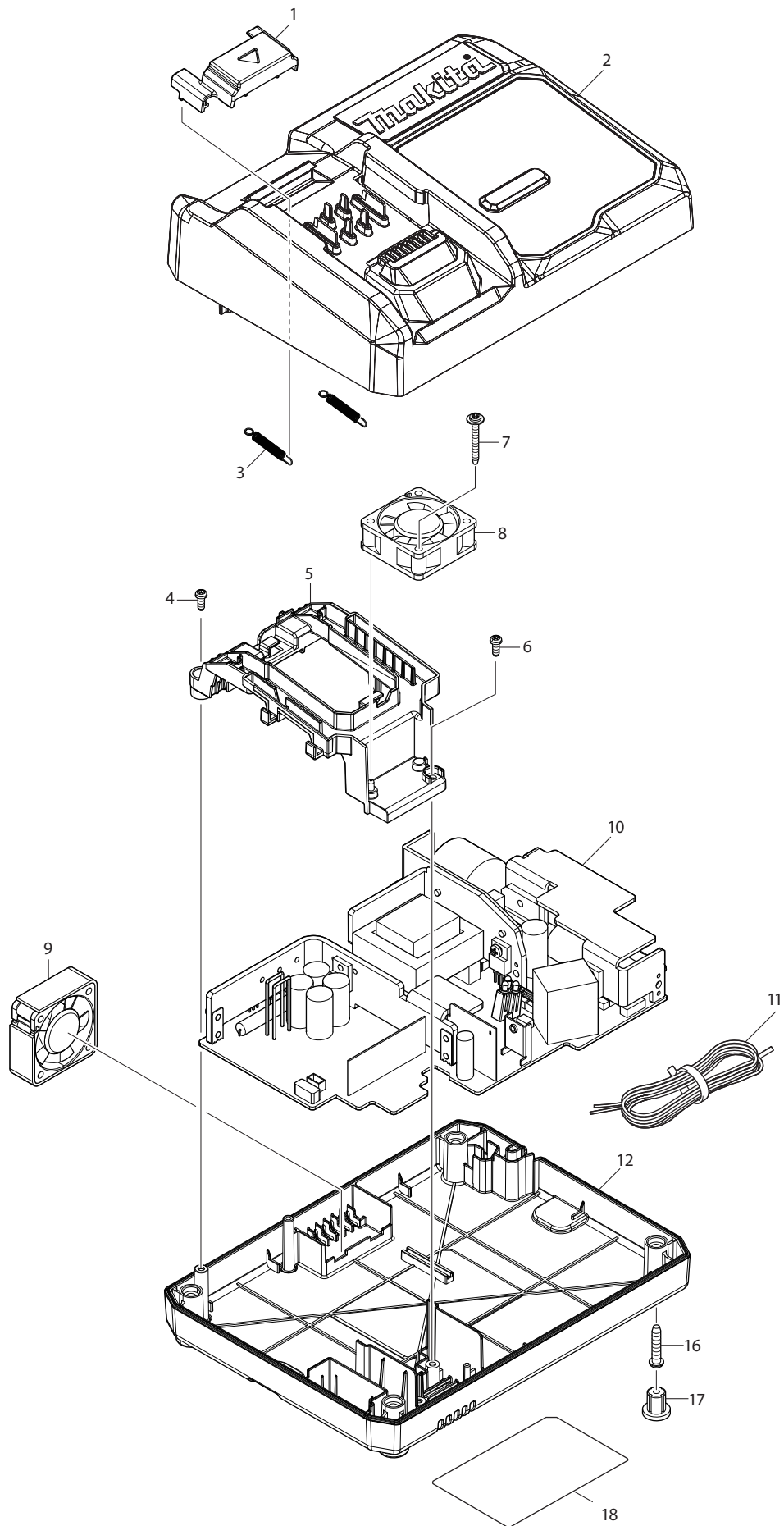
## Model GWT05Z Parts List

A = Standard Equipment

O = Circuit Diagram

Item#	Part#	Description	Q'ty Unit
001	422584-2	BUMPER	1 PC.
002	412822-0	HAMMER CASE COVER	1 PC.
003	140W13-8	HAMMER CASE COMPLETE	1 PC.
004	265472-8	HEX. SOCKET HEAD BOLT M4X25	4 PC.
005	261154-0	NYLON WASHER 28	1 PC.
006	857P27-5	GWT05 NAME PLATE	1 PC.
007	266130-9	TAPPING SCREW BIND PT 3X16	8 PC.
008-1	191P98-5	HOUSING SET	1 SET
	C10 263005-3	RUBBER PIN 6	2 PC.
	C20 263032-0	RUBBER PIN 4	2 PC.
	C30 252126-6	HEX. LOCK NUT M4-7	2 PC.
	C40 8020Y5-9	CAUTION LABEL	1 PC.
	D10	INC. 39	
009	322045-1	CLIP	1 PC.
010	323675-1	PIN 4	1 PC.
011-1	136358-2	ANVIL A ASS'Y	1 PC.
	D10	INC. 9,10	
012	327648-6	HAMMER	1 PC.
013	216001-0	STEEL BALL 3.5	24 PC.
014	267175-0	FLAT WASHER 24	1 PC.
015-1	267106-9	FLAT WASHER 18	1 PC.
016	232615-7	COMPRESSION SPRING 25	1 PC.
017-1	232682-2	COMPRESSION SPRING 18	1 PC.
018	216011-7	STEEL BALL 5.6	2 PC.
019	227338-0	SPUR GEAR 22	3 PC.
020-1	327689-2	SPINDLE	1 PC.
021	268311-1	PIN 5	3 PC.
022	233910-8	RING SPRING 43	1 PC.
023	227337-2	INTERNAL GEAR 51	1 PC.
024	213785-1	O-RING 49	1 PC.
025	140W14-6	INTERNAL GEAR CASE COMPLETE	1 PC.
026	266490-9	TAPPING SCREW PT 2X6	3 PC.
027	652069-6	FLAT HEAD SCREW M3X6	3 PC.
028	629A13-4	STATOR	1 PC.
029	620D69-8	CONTROLLER	1 PC.
030	619626-3	ROTOR	1 PC.
031-1	413225-1	REAR COVER	1 PC.
032	266130-9	TAPPING SCREW BIND PT 3X16	2 PC.
033	620521-2	LED CIRCUIT	1 PC.
034	455053-8	F/R CHANGE LEVER	1 PC.
035	651442-7	SWITCH C3JR-1A-1	1 PC.
036	632P49-4	TERMINAL UNIT	1 PC.
037	857P32-2	GWT05 SERIAL NO. LABEL	1 PC.
038	140W19-6	SWITCH PLATE COMPLETE	1 PC.
	C10 8020J3-8	SWITCH LABEL	1 PC.
039-1	191P98-5	HOUSING SET	1 SET
	C10 263005-3	RUBBER PIN 6	2 PC.
	C20 263032-0	RUBBER PIN 4	2 PC.
	C30 252126-6	HEX. LOCK NUT M4-7	2 PC.

C40	8020Y5-9	CAUTION LABEL	1 PC.
	D10	INC. 8	
041	8007R2-2	XGT LOGO LABEL	1 PC.
A01	266622-8	+ TRUSS HEAD SCREW M4X12	1 PC.
A02	346449-3	HOOK	1 PC.



## Model DC40RA Parts List

A = Standard Equipment

O = Circuit Diagram

Item#	Part#	Description	Q'ty	Unit
001	459475-4	TERMINAL COVER	1	PC.
002	140N46-9	CHARGER CASE COMPLETE	1	PC.
	C10 459476-2	LENS	1	PC.
	C20 819V01-7	CHARGING CONDITION LABEL	1	PC.
003	232565-6	TENSION SPRING 4	2	PC.
004	265B02-7	TAPPING SCREW 3X8	1	PC.
005	459474-6	TERMINAL BASE	1	PC.
006	265B02-7	TAPPING SCREW 3X8	1	PC.
007	265A61-5	TAPPING SCREW FLANGE 3X25	1	PC.
008	632P24-0	FAN 40	1	PC.
009	632P25-8	FAN 40	1	PC.
010	620B41-8	CHARGING CIRCUIT	1	PC.
010	C11 647075-4	VARISTOR	1	PC.
	C20 652089-0	FUSE	1	PC.
011	667982-5	VINYL CORD #18-2-2.0	1	PC.
012	459846-5	CHARGER CASE COVER	1	PC.
016	265B01-9	TAPPING SCREW PT 4X20	4	PC.
017	286255-3	CAP 13	4	PC.
018	857F48-7	DC40RA NAME PLATE	1	PC.
E01	819V02-5	CAUTION LABEL	1	PC.