

Illustration - Type E

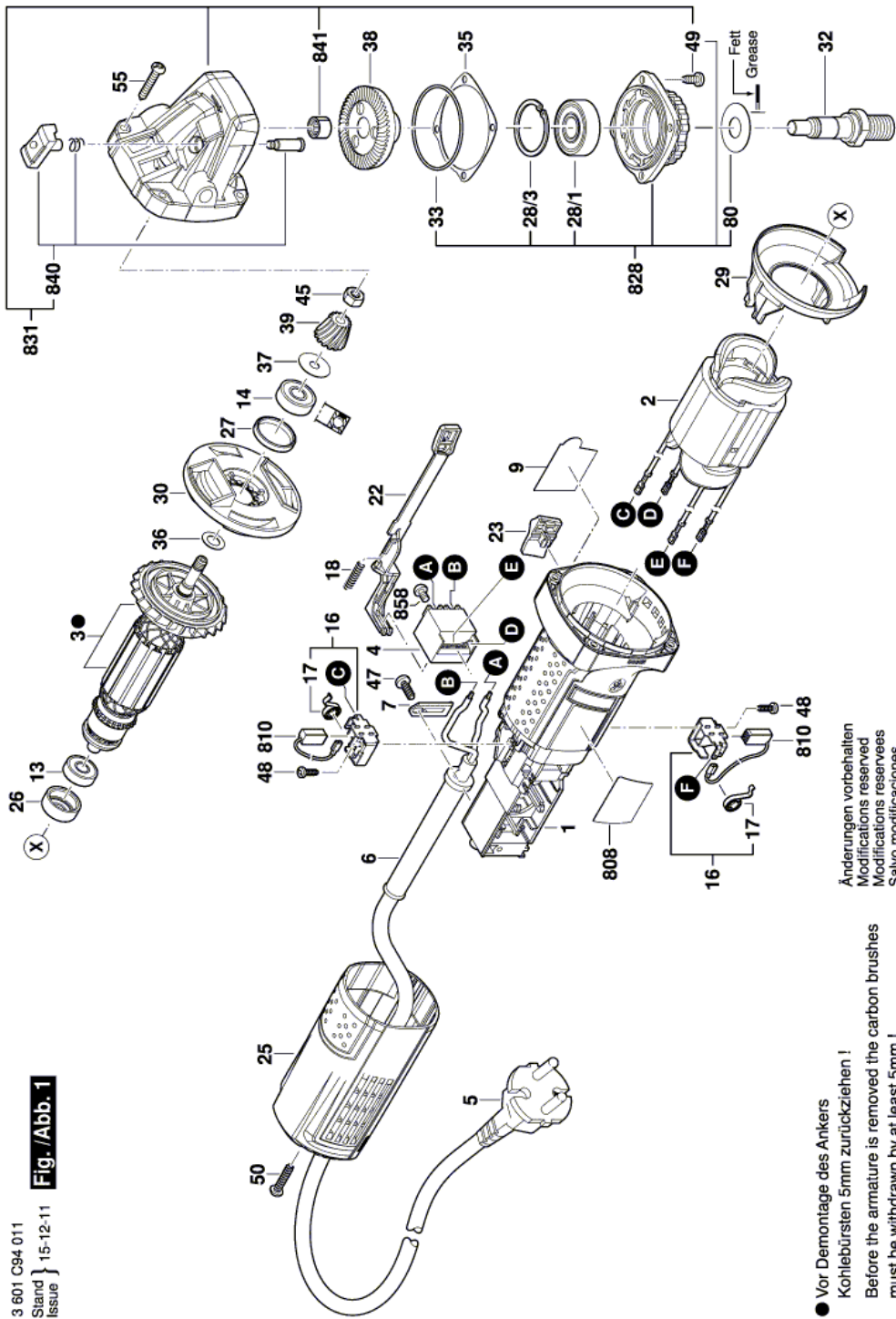
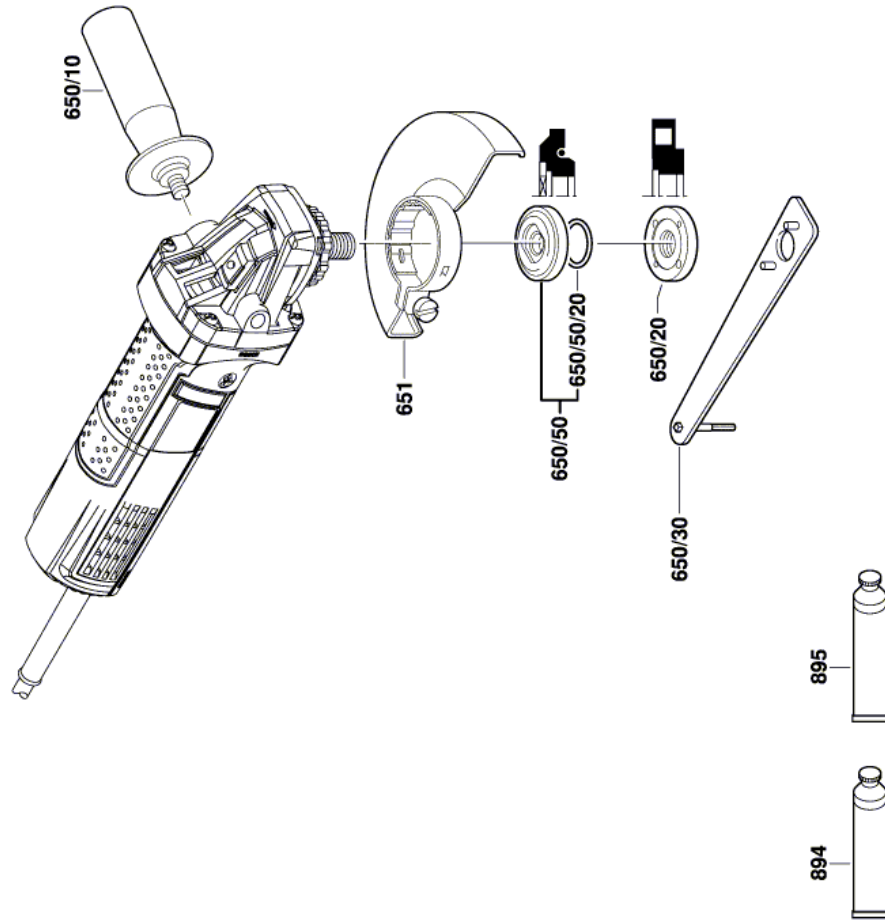


Illustration - Type E



3 601 C94 011
Stand } 16-12
Issue } 16-01-28
Fig./Abb. 2

Änderungen vorbehalten
Modifications reserved
Modificacions reserves
Salvo modificaciones

Information subject to change without further notice.

Angle Grinder - 3 601 C94 011 - GWS 9-45

www.powertools-aftersaleservice.com



BOSCH

Item	Part Number	Description	Illustration	Price	Quantity	Price Group
1	1 619 P10 958	Motor Housing	1	-,-	1	19
2	1 619 P10 948	Field 127V	1	-,-	1	28
3	1 619 P10 949	Armature 127V	1	-,-	1	31
4	1 607 200 31Y	Switch	1	-,-	1	22
5	2 604 460 122	Power supply cord USA/CDN 2,15m 2 x 0,82mm SJ 18/2	1	-,-	1	28
6	2 600 703 013	Grommet Ø7,6-Ø8,2x95 MM	1	-,-	1	13
7	1 601 302 017	Fastening Clamp	1	-,-	1	10
9	1 619 P11 144	Manufacturer's nameplate	1	-,-	1	-
13	1 619 P00 456	Ball Bearing 7x19x6 MM	1	-,-	1	14
14	1 619 P13 103	groove ball bearing	1	-,-	1	15
16	1 604 336 035	Brush Holder	1	-,-	2	14
17	1 604 652 013	Spiral Spring	1	-,-	2	11
18	1 619 P11 487	Compression Spring	1	-,-	1	10
20	1 619 P11 107	Warning Plate	N/A	-,-	1	-
22	1 619 P10 967	Adjusting Slide	1	-,-	1	10
23	1 619 P13 541	Switch Button	1	-,-	1	-
25	1 619 P13 618	Housing Cover	1	-,-	1	-
26	1 600 502 023	Intermediate Ring	1	-,-	1	12
27	1 600 502 025	.	1	-,-	1	-
28/1	1 619 P07 440	Ball Bearing	1	-,-	1	19
28/3	2 916 660 013	Spring retaining ring DIN 472-32x1,2 MM	1	-,-	1	11
29	1 619 P10 970	Air-Deflector Ring	1	-,-	1	11
30	1 619 P10 971	Air Distributor	1	-,-	1	11
32	1 603 523 122	Grinding Spindle 5/8"	1	-,-	1	33
33	1 619 P02 820	O-Ring 44,0x1,0 MM	1	-,-	1	10
35	1 619 P02 821	Shim 0,1 MM	1	-,-	1	10
35	1 619 P02 822	Shim 0,2 MM	1	-,-	1	10
36	1 619 P00 987	Washer	1	-,-	1	10
37	1 600 100 033	Cover Disc	1	-,-	1	13
38	1 619 P02 823	Crown Gear	1	-,-	1	21
39	1 619 P02 825	Bevel Gear	1	-,-	1	17
45	2 915 011 007	Hex Nut DIN 934-M6-8-A	1	-,-	1	10
47	2 609 110 052	Special Screw	1	-,-	1	11

Item	Part Number	Description	Illustration	Price	Quantity	Price Group
48	1 619 P00 220	Torx Oval-Head Screw 3x10	1	-,-	2	10
49	1 603 435 068	Thread-forming tap. Screw DIN 7500, M4x10, SR10.2	1	-,-	4	11
50	1 619 P00 105	Torx Oval-Head Screw 4x20	1	-,-	1	10
55	1 619 P01 066	Torx Oval-Head Screw 4x25	1	-,-	4	10
80	1 619 P09 390	Cover Disc	1	-,-	1	12
650/10	1 602 025 027	Auxiliary Handle M10	2	-,-	1	19
650/20	3 603 340 503	Round Nut 5/8"	2	-,-	1	28
650/30	1 619 P08 927	Pin-Type Face-Wrench	2	-,-	1	17
650/50	1 605 703 140	Clamping-Flange	2	-,-	1	21
650/50/20	1 600 210 253	O-Ring	2	-,-	1	12
651	1 619 P07 575	Protective Guard Ø 115 MM	2	-,-	1	-
808	1 619 P11 059	Nameplate	1	-,-	1	-
810	1 619 P11 715	Carbon-Brush Set	1	-,-	1	18
828	1 619 P07 451	Bearing Flange	1	-,-	1	27
831	1 619 P12 186	Gear Housing	1	-,-	1	26
840	1 619 P12 188	Push Button	1	-,-	1	13
841	1 600 200 029	Plain bearing	1	-,-	1	14
858	2 910 641 081	Oval-Head Screw DIN7985-M3,5x5-4.8-H	1	-,-	2	10
894	1 615 430 020	Grease Tube 225 ML	2	-,-	1	29
895	1 605 430 003	Grease Tube 225 ML	2	-,-	1	34