

Angle Grinder - 0 601 344 739 - GWS 9-125 CE

www.powertools-aftersaleservice.com



BOSCH

Item	Part Number	Description	Illustration	Price	Quantity	Price Group
1	1 605 108 151	Motor Housing BLUE	1	-,-	1	25
2	1 604 220 222	Field 110-120V	1	-,-	1	34
3/50	1 606 610 121	Fan	1	-,-	1	11
4	1 607 200 086	Switch	1	-,-	1	23
4/10	2 910 110 048	Pan head screw DIN 85-AM3x6-CUZN	1	-,-	2	10
5	1 614 460 010	Power supply cord USA/CAN/SMA 2,15m 2 x 0,82mm SJ 16/2	1	-,-	1	25
6	2 600 703 013	Grommet Ø7,6-Ø8,2x95 MM	1	-,-	1	13
7	1 601 302 017	Fastening Clamp	1	-,-	1	10
9	1 601 110 436	Manufacturer's nameplate	1	-,-	1	-
13	2 600 905 032	Deep-Groove Ball Bearing 7x19x6	1	-,-	1	17
14	1 600 905 011	Deep-Groove Ball Bearing 8x22x7	1	-,-	1	18
16	2 601 323 021	Brush Holder	1	-,-	2	11
17	1 601 110 231	Manufacturer's nameplate DOUBLE INSULATION	1	-,-	1	-
18	1 604 611 026	Compression Spring	1	-,-	1	10
22	1 602 319 002	Adjusting Slide	1	-,-	1	11
23	1 602 026 057	Switch Handle BLACK	1	-,-	1	11
25	1 600 508 007	Housing Cover BLUE	1	-,-	1	-
26	1 600 502 020	Rubber Bushing	1	-,-	1	11
27	1 600 206 025	Rubber Ring	1	-,-	1	12
29	1 601 328 005	Air-Deflector Ring	1	-,-	1	12
31	2 916 660 013	Spring retaining ring DIN 472-32x1,2 MM	1	-,-	1	11
32	1 603 523 110	Grinding Spindle M14, SW17	1	-,-	1	20
33	3 600 210 124	O-Ring 46,0x1,1 MM RED	1	-,-	1	11
35	1 600 136 010	Shim 0,2 MM THICK	1	-,-	1	10
35	1 600 136 011	Shim 0,3 MM THICK	1	-,-	1	10
35	1 600 136 012	Shim 0,1 MM THICK	1	-,-	1	10
36	1 600 150 011	Spring Washer	1	-,-	1	10
37	1 600 290 016	Rotary shaft lip seal	1	-,-	1	12
38	1 606 333 601	Crown Gear Z=36	1	-,-	1	22
39	1 604 652 013	Spiral Spring	1	-,-	2	11
40	2 916 660 009	Spring retaining ring DIN 472-25x1,2MM	1	-,-	1	13
41	1 600 910 018	Needle bearing Ø8xØ12x8 MM	1	-,-	1	16

Item	Part Number	Description	Illustration	Price	Quantity	Price Group
42	1 600 905 006	Deep-Groove Ball Bearing 12x32x10	1	-,-	1	24
43	1 606 333 242	Bevel Gear Z=11	1	-,-	1	36
45	1 603 300 016	Hex Nut M7, SW10	1	-,-	1	11
47	2 910 211 018	Tapping Screw DIN 7971-ST3,9x13-F	1	-,-	1	10
48	2 910 211 005	Tapping Screw DIN 7971-ST2,9x9,5-F	1	-,-	4	10
49	1 603 435 026	Thread-forming tap. Screw	1	-,-	4	11
50	2 910 211 021	Tapping Screw DIN 7971-ST3,9x22-F	1	-,-	1	10
51	1 607 233 022	Speed governor 110V	1	-,-	1	-
53	1 604 448 005	Connecting Cable L=95 MM WHITE	1	-,-	1	14
54	1 604 448 006	Connecting Cable L=40 MM WHITE	1	-,-	2	11
55	2 912 401 021	Tapping Screw DIN7981-ST3,9x22-C-Z	1	-,-	4	10
66	1 601 110 449	Nameplate CAUTION	1	-,-	1	11
67	1 601 110 358	Reference Plate CAUTION	1	-,-	1	11
104	1 601 008 003	Insulating Plate	1	-,-	2	11
107	1 600 210 044	O-Ring 4,5x1,0 MM BLUE	1	-,-	1	10
650/20	1 603 345 043	Round Nut M14	2	-,-	1	23
650/30	1 607 950 052	Pin-Type Face-Wrench	2	-,-	1	15
650/50	2 605 703 014	Clamping-Flange Ø22,3xØ42 MM	2	-,-	1	20
650/50/20	1 600 210 039	O-Ring 20,35x1,78 MM	2	-,-	1	10
650/60	1 907 950 006	Offset Screwdriver DIN 911-SW5 BLACK	2	-,-	1	15
651/10	2 602 025 067	Auxiliary Handle M10, Ø32,5x105 MM	2	-,-	1	15
651/10	1 602 025 027	Auxiliary Handle M10	2	-,-	1	19
652	2 605 510 080	Protective Cover Ø 125 MM	2	-,-	1	29
652/20	2 910 022 197	Socket head cap screw DIN 84-M 6x16-8.8	2	-,-	1	10
652/20	2 910 141 197	Hex Socket Head Cap Screw DIN 912-M6x16-8.8	2	-,-	1	10
803	1 604 010 250	Armature With Fan 110-120V	1	-,-	1	43
808	1 601 106 032	Nameplate 26x52 MM	1	-,-	1	13
810	1 607 014 128	Carbon Brush	1	-,-	1	27
813	1 607 000 253	Push-Button BLACK	1	-,-	1	12
821	1 605 806 480	Gear Housing	1	-,-	1	36
828	1 607 000 936	Bearing Flange	1	-,-	1	29
896	1 603 340 027	Fast Locking Flange M14, SDS-CLIC	2	-,-	1	39

Illustration - Type E

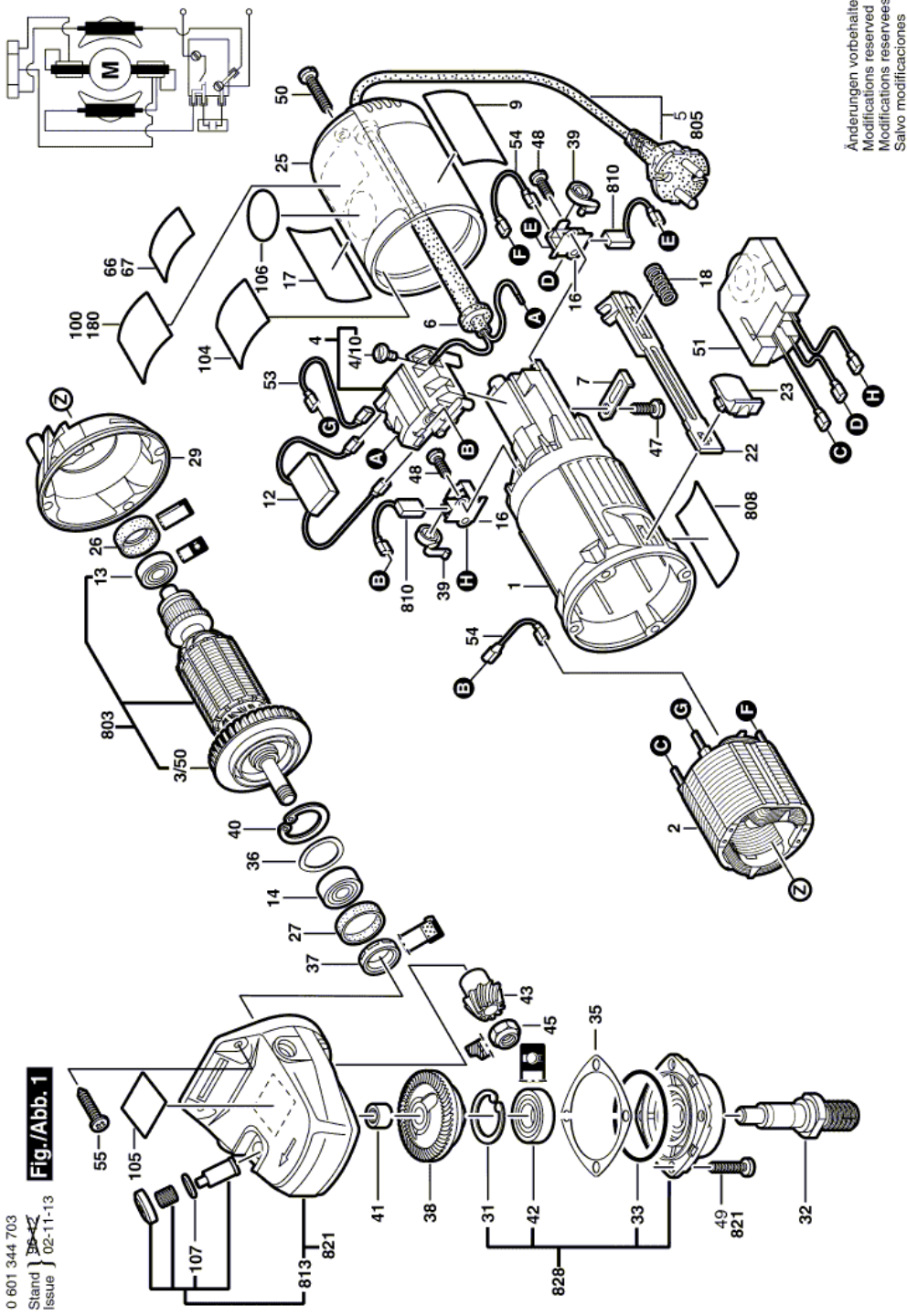
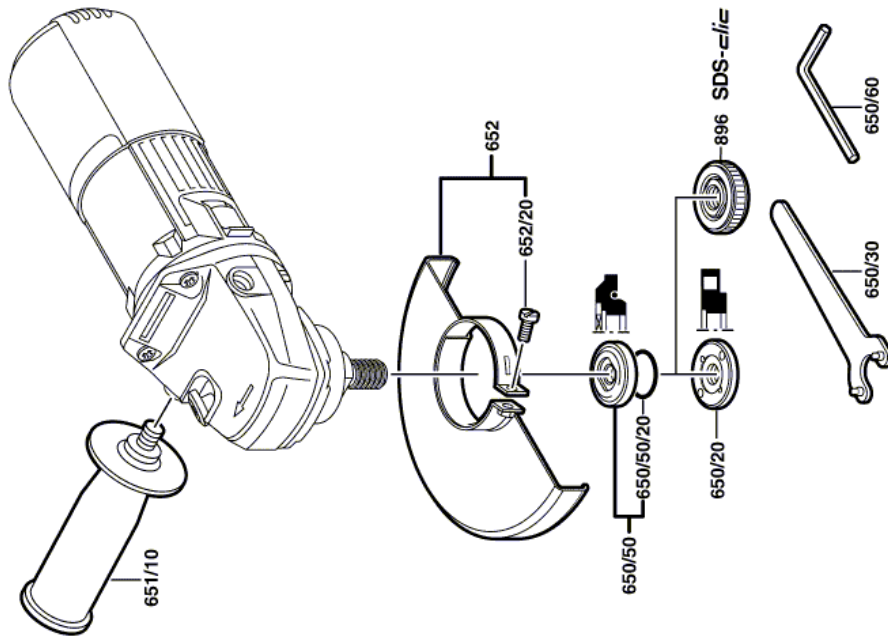


Illustration - Type E



0 601 344 703
Stand }
Issue } 02-11-13
Fig./Abb. 2

Änderungen vorbehalten
Modifications reserved
Modifications reserves
Salvo modificaciones

Information subject to change without further notice.