



BOSCH

Angle Grinder

GWS 8-125 C | 0 601 377 7E3

Table of Content

Spare parts list.....	2
Illustration - Type.....	4

Angle Grinder | GWS 8-125 C | 0 601 377 7E3

Spare parts list

Item	Part Number	Description
1	1 619 P09 772	Motor Housing
2	1 604 220 340	Field 220-240V
3	1 604 010 667	Armature With Fan 220-240V
3/50	1 606 610 141	Fan
4	1 607 200 146	Switch
5	1 604 460 263	Power supply cord H05 W-F CN 2,65m 2 x 0,75mm
6	2 600 703 012	Grommet Ø6,5-Ø6,9x95 MM
7	1 601 302 017	Fastening Clamp
9	1 619 P31 098	Manufacturer's nameplate GWS 8-100 C
13	1 619 P08 829	groove ball bearing
14	1 619 P11 240	groove ball bearing
16	1 619 P01 811	Brush Holder
17	1 604 652 013	Spiral Spring
18	1 604 611 031	Compression Spring
22	1 602 319 009	Adjusting Slide
23	1 619 P02 762	Switch Button BLACK
25	1 605 500 194	Housing Cover BLUE
26	1 600 502 023	Intermediate Ring
27	1 600 206 025	Rubber Ring
29	1 619 P09 921	Air-Deflector Ring
30	1 600 591 024	Air-Deflector Ring
32	1 619 P06 419	Grinding Spindle M 14, SW 17
33	1 600 210 041	O-Ring 42,0x1,1 MM
35	1 600 136 017	Shim 0,2 MM THICK
37	1 600 100 033	Cover Disc
39	2 609 110 149	Pinion
45	2 915 011 007	Hex Nut DIN 934-M6-8-A
47	2 609 110 052	Special Screw
48	1 619 P00 220	Torx Oval-Head Screw 3x10
49	1 603 435 068	Thread-forming tap. Screw DIN 7500, M4x10, SR10.2
50	2 910 611 020	Tapping Screw DIN 7981-ST3,9x19-C-H
51	1 607 233 139	Regulator 220-240V
55	2 910 611 022	Tapping Screw DIN 7981-ST3,9x25-C-H
808	1 619 P02 707	Nameplate

Spare parts list

Item	Part Number	Description		
810	1 619 P11 715	Carbon-Brush Set		
821	1 605 806 466	Gear Housing		
828	1 619 P02 708	Bearing Flange	BLACK	
829	1 600 591 023	Air-Deflector Ring		
832	1 607 000 D6A	Grinding Spindle		
840	1 607 000 298	Push-Button	BLACK	
841	1 600 200 029	Plain bearing		
857	2 910 641 081	Oval-Head Screw	DIN7985-M3,5x5-4.8-H	
880	1 619 P09 390	Cover Disc		
131	1 619 P01 598	Hex Screw Driver	4x95	
132	3 602 311 050	Key Holder		
650/10	1 602 025 09T	Auxiliary Handle		
650/20	1 603 345 043	Round Nut	M14	
650/30	1 619 P08 927	Pin-Type Face-Wrench		
650/50	2 605 703 014	Clamping Flange	Ø22,3xØ42 MM	
650/50/20	1 600 210 039	O-Ring	20,35x1,78 MM	
651	1 600 A00 XU7	Protective Cover	Ø125 MM	SILVER

Illustration - Type - E

0 601 377 7E3
 Stand } 15-11
 Issue } 20-01-08

Fig. /Abb. 1

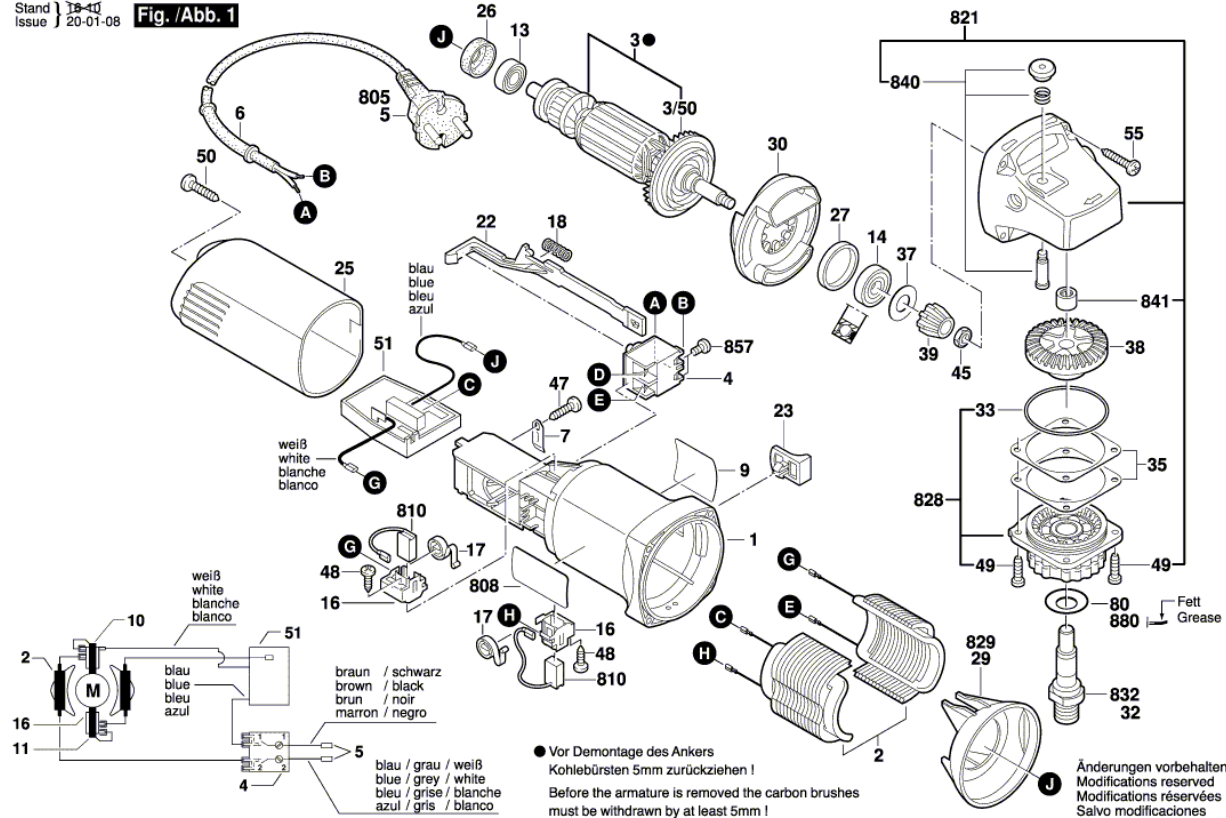
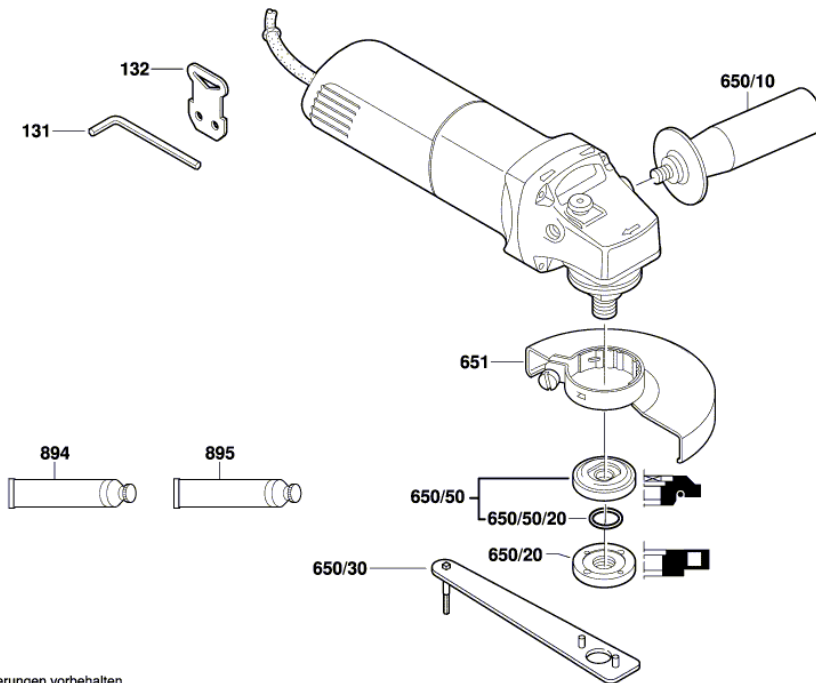


Illustration - Type - E

0 601 377 7E3
Stand } 09-01
Issue } 15-09-30 **Fig. /Abb. 2**



Änderungen vorbehalten
Modifications reserved
Modifications réservées
Salvo modificaciones