



**BOSCH**

# Angle Grinder

GWS 750-125 | 3 601 C94 082

---

## Table of Content

|                          |   |
|--------------------------|---|
| Spare parts list.....    | 2 |
| Illustration - Type..... | 4 |

**Spare parts list**

| <b>Item</b> | <b>Part Number</b> | <b>Description</b>                            |
|-------------|--------------------|---|
| 1           | 1 619 P10 958      | Motor Housing                                 |
| 2           | 1 604 220 59E      | Field   |
| 3           | 1 604 010 BN7      | Armature                                      |
| 4           | 1 607 200 31V      | Switch  |
| 5           | 1 604 460 263      | Power supply cord H05 W-F CN 2,65m 2 x 0,75mm |
| 6           | 2 600 703 012      | Grommet Ø6,5-Ø6,9x95 MM                       |
| 7           | 1 601 302 017      | Fastening Clamp                               |
| 12          | 1 619 P15 039      | Suppression Filter                            |
| 13          | 1 619 P08 829      | groove ball bearing                           |
| 14          | 1 619 P13 103      | groove ball bearing                           |
| 16          | 1 619 P01 811      | Brush Holder                                  |
| 17          | 1 604 652 013      | Spiral Spring                                 |
| 18          | 1 619 P11 487      | Compression Spring                            |
| 22          | 1 619 P10 967      | Adjusting Slide                               |
| 23          | 1 619 P10 969      | Switch Button                                 |
| 23          | 1 619 P13 541      | Switch Button                                 |
| 25          | 1 619 P10 963      | Housing Cover                                 |
| 26          | 1 600 502 023      | Intermediate Ring                             |
| 27          | 1 600 206 025      | Rubber Ring                                   |
| 28/1        | 1 619 P07 440      | Ball Bearing                                  |
| 28/3        | 2 916 660 013      | Retaining clip DIN 472-32x1,2 MM              |
| 29          | 1 619 P10 970      | Air-Deflector Ring                            |
| 30          | 1 619 P14 139      | Air Distributor                               |
| 32          | 1 619 P06 419      | Grinding Spindle M 14, SW 17                  |
| 33          | 1 619 P14 660      | groove ball bearing                           |
| 35          | 1 619 P02 821      | Shim 0,1 MM                                   |
| 35          | 1 619 P02 822      | Shim 0,2 MM                                   |
| 36          | 1 619 P00 987      | Washer  |
| 37          | 1 600 100 033      | Cover Disc                                    |
| 38          | 1 619 P02 823      | Crown Gear                                    |
| 39          | 1 619 P02 825      | Bevel Gear                                    |
| 41          | 1 600 200 029      | Plain bearing                                 |
| 45          | 2 915 011 007      | Hex Nut DIN 934-M6-8-A                        |
| 47          | 2 609 110 052      | Special Screw                                 |

Spare parts list

| Item    | Part Number   | Description                          |
|---------|---------------|--------------------------------------|
| 48      | 1 619 P00 220 | Torx Oval-Head Screw 3x10            |
| 49      | 1 619 P12 666 | Thread-forming tap. Screw            |
| 50      | 1 619 P00 105 | Torx Oval-Head Screw 4x20            |
| 55      | 1 619 P01 066 | Torx Oval-Head Screw 4x25            |
| 80      | 1 619 P09 390 | Cover Disc                           |
| 810     | 1 619 P11 715 | Carbon-Brush Set                     |
| 828     | 1 619 P07 451 | Bearing Flange                       |
| 831     | 1 619 P12 186 | Gear Housing                         |
| 840     | 1 619 P12 188 | Push Button                          |
| 858     | 2 910 641 081 | Oval-Head Screw DIN7985-M3,5x5-4.8-H |
| 650/1   | 1 602 025 09T | Auxiliary Handle                     |
| 650/2   | 1 603 345 043 | Round Nut M14                        |
| 650/3   | 1 619 P08 927 | Pin-Type Face-Wrench                 |
| 650/5   | 2 605 703 014 | Clamping Flange Ø22,3xØ42 MM         |
| 650/5/2 | 1 600 210 039 | O-Ring 20,35x1,78 MM                 |
| 651     | 1 600 A00 XU7 | Protective Cover Ø125 MM SILVER      |
| 894     | 1 615 430 020 | Grease Tube 225 ML                   |
| 895     | 1 605 430 003 | Grease Tube 225 ML                   |

Illustration - Type - E

3 601 C94 080  
 Stand } 18-04  
 Issue } 20-03-17

Fig. /Abb. 1

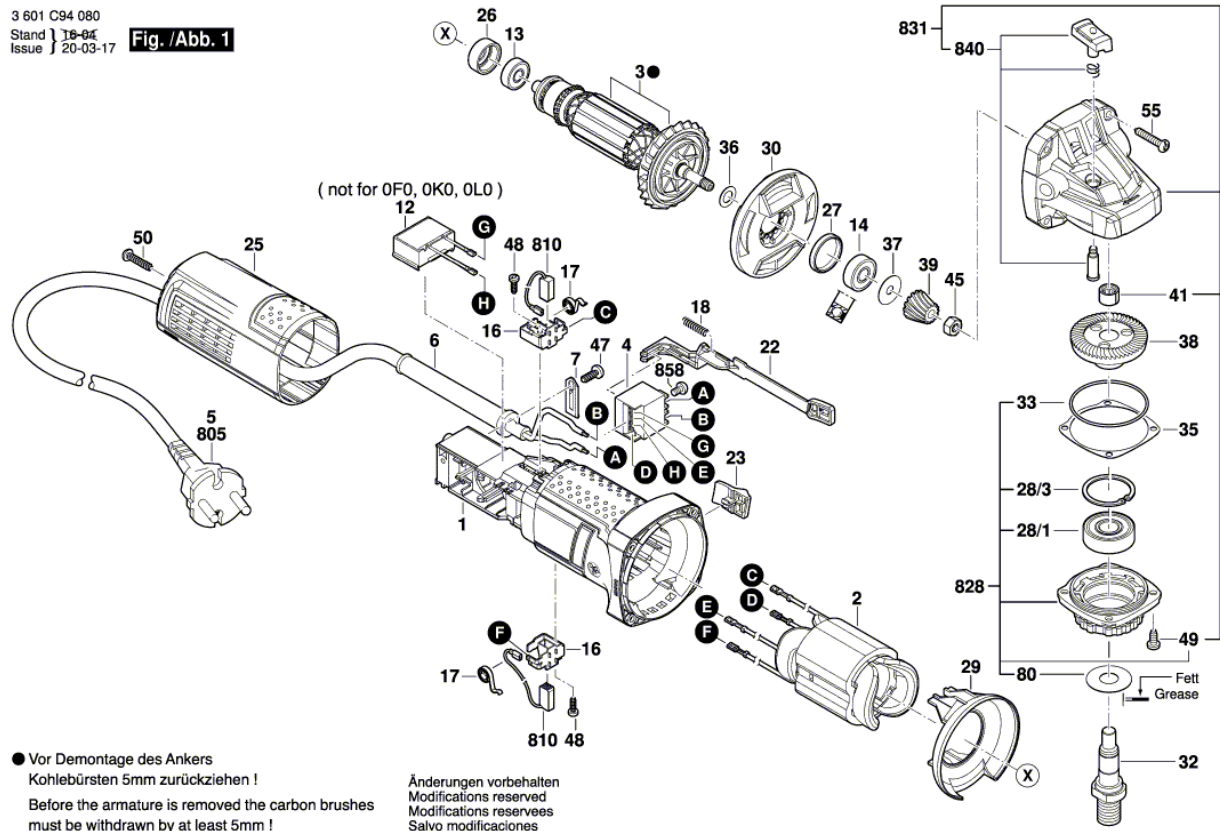
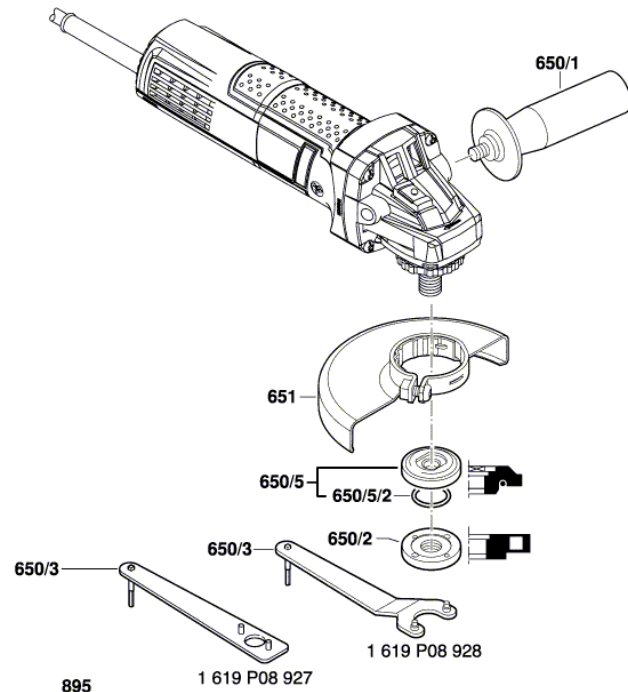


Illustration - Type - E

3 601 C94 080  
Stand } 16-04  
Issue } 16-06-27 **Fig. /Abb. 2**



Änderungen vorbehalten  
Modifications reserved  
Modificaciones reservadas  
Salvo modificaciones