



BOSCH

Angle Grinder

GWS 750-100 | 3 601 C94 080

Table of Content

Spare parts list.....	2
Illustration - Type.....	4

Spare parts list

Item	Part Number	Description
1	1 619 P10 958	Motor Housing
2	1 604 220 59E	Field
3	1 604 010 BN7	Armature
4	1 607 200 31V	Switch
5	1 604 460 263	Power supply cord H05 W-F CN 2,65m 2 x 0,75mm
6	2 600 703 012	Grommet Ø6,5-Ø6,9x95 MM
7	1 601 302 017	Fastening Clamp
12	1 619 P15 039	Suppression Filter
13	1 619 P08 829	groove ball bearing
14	1 619 P13 103	groove ball bearing
16	1 619 P01 811	Brush Holder
17	1 604 652 013	Spiral Spring
18	1 619 P11 487	Compression Spring
22	1 619 P10 967	Adjusting Slide
23	1 619 P10 969	Switch Button
23	1 619 P13 541	Switch Button
25	1 619 P10 963	Housing Cover
26	1 600 502 023	Intermediate Ring
27	1 600 206 025	Rubber Ring
28/1	1 619 P07 440	Ball Bearing
28/3	2 916 660 013	Retaining clip DIN 472-32x1,2 MM
29	1 619 P10 970	Air-Deflector Ring
30	1 619 P14 139	Air Distributor
32	1 619 P20 124	Grinding Spindle
33	1 619 P14 660	groove ball bearing
35	1 619 P02 821	Shim 0,1 MM
35	1 619 P02 822	Shim 0,2 MM
36	1 619 P00 987	Washer
37	1 600 100 033	Cover Disc
38	1 619 P02 823	Crown Gear
39	1 619 P02 825	Bevel Gear
41	1 600 200 029	Plain bearing
45	2 915 011 007	Hex Nut DIN 934-M6-8-A
47	2 609 110 052	Special Screw

Spare parts list

Item	Part Number	Description
48	1 619 P00 220	Torx Oval-Head Screw 3x10
49	1 619 P12 666	Thread-forming tap. Screw
50	1 619 P00 105	Torx Oval-Head Screw 4x20
55	1 619 P01 066	Torx Oval-Head Screw 4x25
80	1 619 P09 390	Cover Disc
810	1 619 P11 715	Carbon-Brush Set
828	1 619 P07 451	Bearing Flange
831	1 619 P12 186	Gear Housing
840	1 619 P12 188	Push Button
858	2 910 641 081	Oval-Head Screw DIN7985-M3,5x5-4.8-H
650/1	1 602 025 09T	Auxiliary Handle
650/2	1 619 P09 976	Round Nut With 2 Holes
650/3	1 619 P08 928	Pin-Type Face-Wrench
650/5	1 619 P12 159	Clamping-Flange Ø22,3xØ42 MM
651	1 600 A00 XU5	Protective Cover Ø100 MM SILVER
894	1 615 430 020	Grease Tube 225 ML
895	1 605 430 003	Grease Tube 225 ML

Illustration - Type - E

3 601 C94 080
Stand } 18-04
Issue } 20-03-17

Fig. /Abb. 1

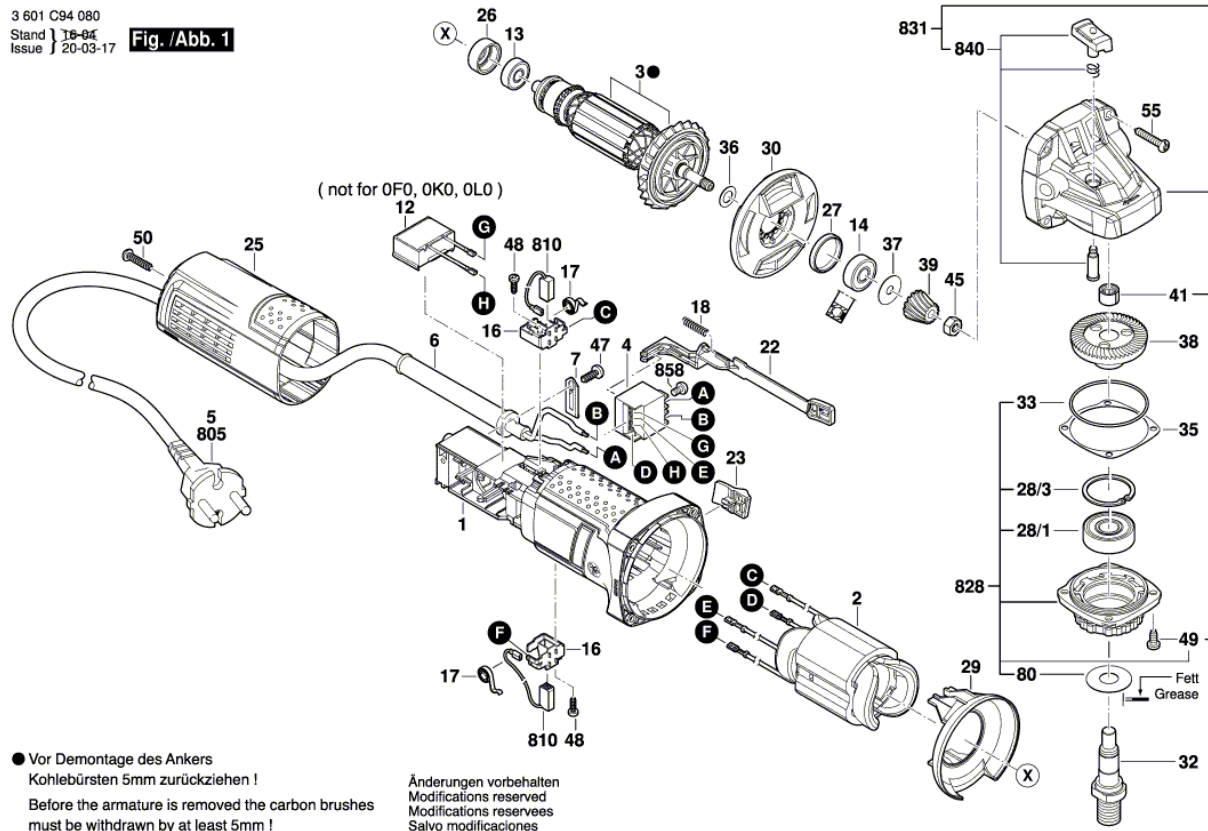
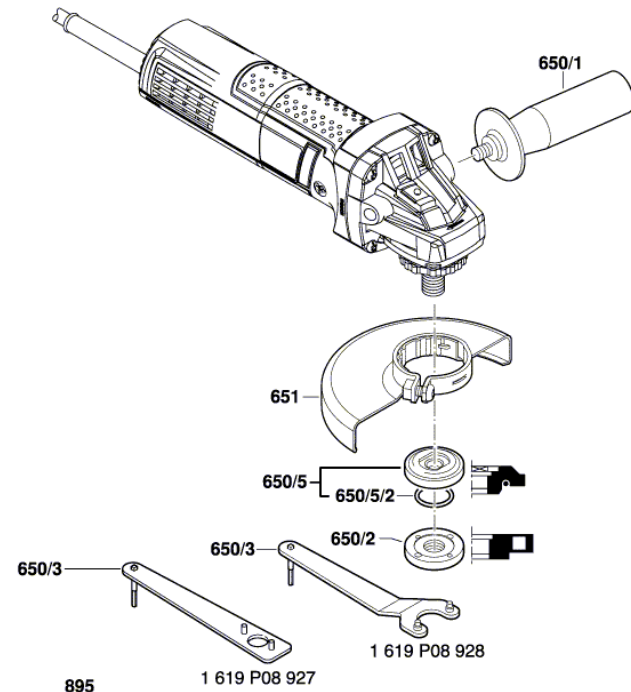


Illustration - Type - E

3 601 C94 080
Stand } 16-04
Issue } 16-06-27 **Fig. /Abb. 2**



Änderungen vorbehalten
Modifications reserved
Modificaciones reservadas
Salvo modificaciones