



**BOSCH**

# Angle Grinder

GWS 7-100 ET | 3 601 C88 585

---

## Table of Content

Spare parts list.....	2
Illustration - Type.....	4

# Angle Grinder | GWS 7-100 ET | 3 601 C88 585

## Spare parts list

Item	Part Number	Description
1	1 619 P09 415	Motor Housing
3	1 604 010 BK7	Armature
3/40	1 619 P02 801	Fan
4	1 607 200 179	On-Off Switch
5	1 604 460 263	Power supply cord CN 2,65m 2 x 0,75mm H05 W-F
6	2 600 703 012	Grommet Ø6,5-Ø6,9x95 MM
7	1 601 302 017	Fastening Clamp
9	1 619 P02 876	Manufacturer's nameplate GWS 7-100 ET
13	1 619 P00 456	Ball Bearing 7x19x6 MM
14	1 619 P00 455	Ball Bearing
16	1 619 P02 845	Brush Holder
16/21	1 619 P02 809	Spiral Spring
18	1 604 611 031	Compression Spring
22	1 619 P02 811	Adjusting Slide
23	1 619 P10 838	Switch Button
24	1 619 P02 828	Brush-Cover
25	1 619 P10 072	Housing Cover
26	1 619 P14 330	Intermediate Ring
27	1 600 206 025	Rubber Ring
28/1	1 619 P17 021	Ball Bearing
28/3	2 916 660 013	Retaining clip DIN 472-32x1,2 MM
29	1 619 P02 818	Air-Deflector Ring
30	1 619 P02 819	Air Distributor
32	1 619 P20 124	Grinding Spindle
33	1 619 P02 820	O-Ring 44,0x1,0 MM
35	1 619 P02 821	Shim 0,1 MM
35	1 619 P02 822	Shim 0,2 MM
36	1 619 P00 987	Washer
37	1 600 100 033	Cover Disc
45	2 915 011 007	Hex Nut DIN 934-M6-8-A
47	2 609 110 052	Special Screw
48	1 619 P02 849	Torx Oval-Head Screw 3x8
49	1 603 435 068	Thread-forming tap. Screw DIN 7500, M4x10, SR10.2
50	1 619 P00 105	Torx Oval-Head Screw 4x20

Spare parts list

Item	Part Number	Description
55	1 619 P01 066	Torx Oval-Head Screw 4x25
57	1 619 P02 848	Torx Oval-Head Screw 4x12
80	1 619 P09 390	Cover Disc
802	1 619 P07 239	Field 220-230V
808	1 619 P20 579	Nameplate
810	1 619 P02 870	Carbon-Brush Set
828	1 619 P07 451	Bearing Flange
831	1 619 P07 276	Gear Housing
838	1 619 P13 518	Set Of Gears
840	1 619 P02 873	Push-Button
841	1 600 910 018	Needle bearing Ø8xØ12x8 MM
858	2 910 641 081	Oval-Head Screw DIN7985-M3,5x5-4.8-H
860	1 619 P07 277	Speed governor
650/10	1 602 025 09T	Auxiliary Handle
650/20	1 619 P09 976	Round Nut With 2 Holes
650/30	2 609 110 015	Pin-Type Face-Wrench
650/50	1 605 703 113	Clamping-Flange M10, 16-20 MM
651	1 600 A00 XU5	Protective Cover Ø100 MM SILVER
894	1 615 430 020	Grease Tube 225 ML
895	1 605 430 003	Grease Tube 225 ML

Illustration - Type - E

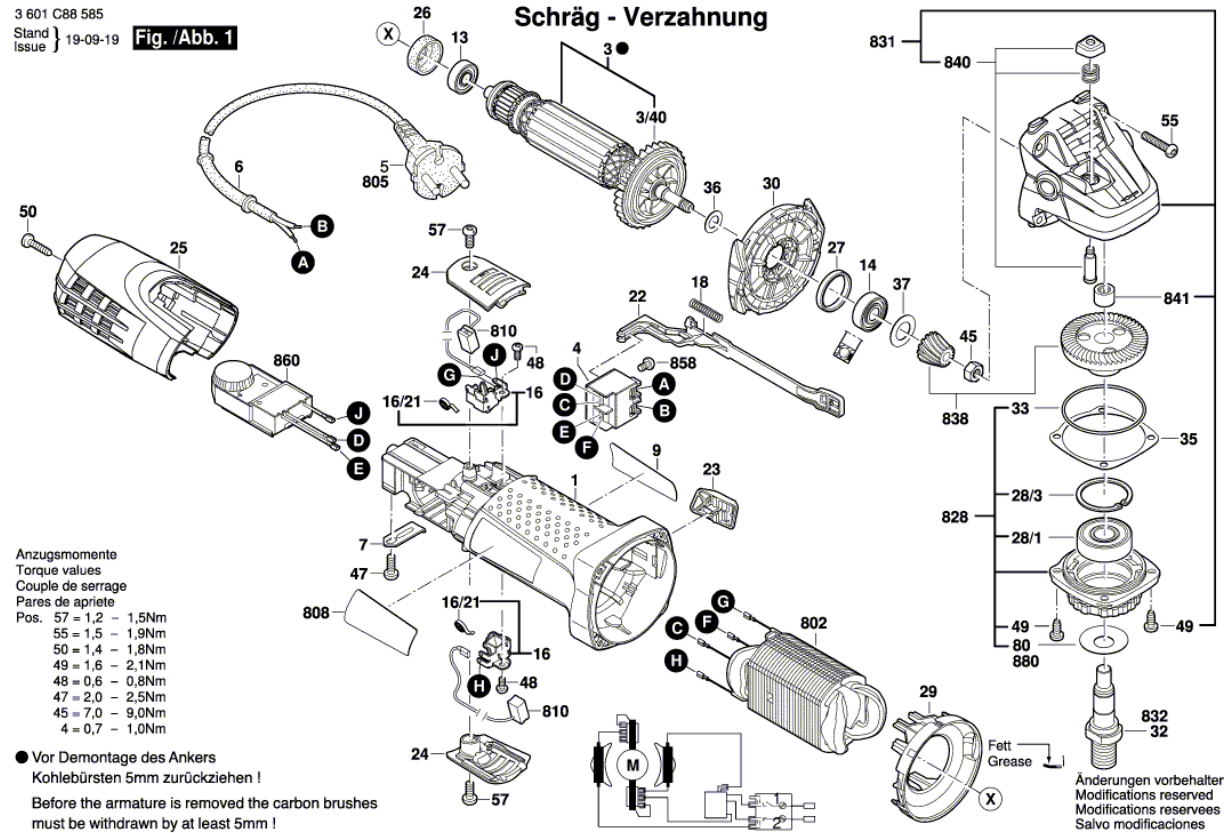
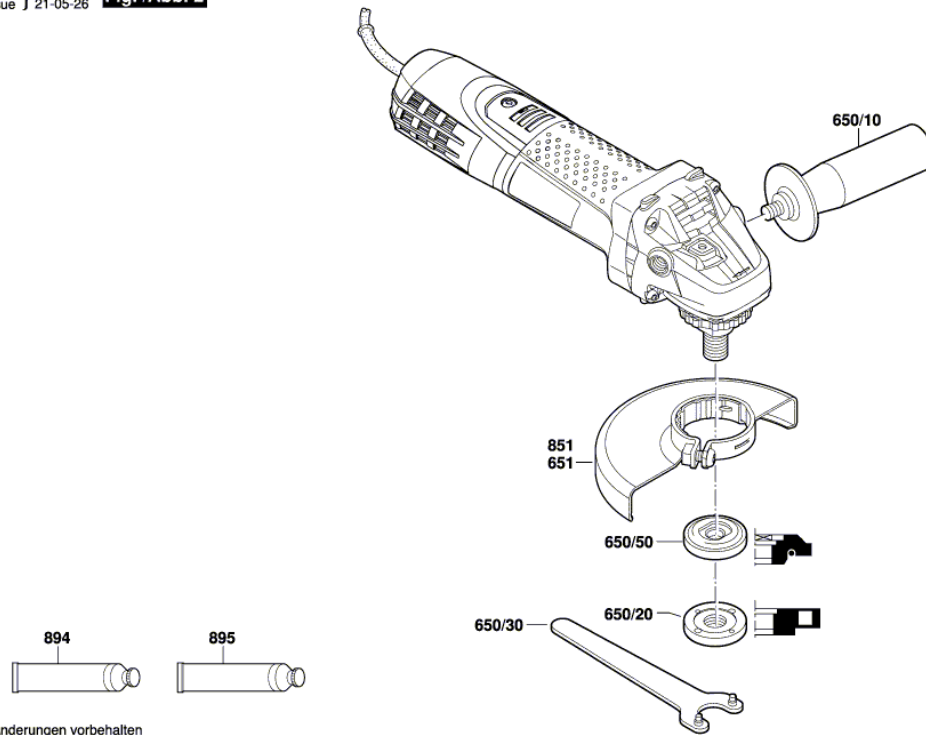


Illustration - Type - E

3 601 C88 585  
Stand | 19-05  
Issue | 21-05-26 **Fig. /Abb. 2**



Änderungen vorbehalten  
Modifications reserved  
Modificaciones reserves  
Salvo modificaciones