



BOSCH

Angle Grinder

GWS 660 | 0 601 375 0VM

Table of Content

Spare parts list.....	2
Illustration - Type.....	4

Illustration - Type - E

0 601 375 0VM
 Stand | 09-10-25
 Issue | 11-10-28

Fig. /Abb. 1

Gerad - Verzahnung

● Vor Demontage des Ankers
 Kohlebürsten 5mm zurückziehen !
 Before the armature is removed the carbon brushes
 must be withdrawn by at least 5mm !

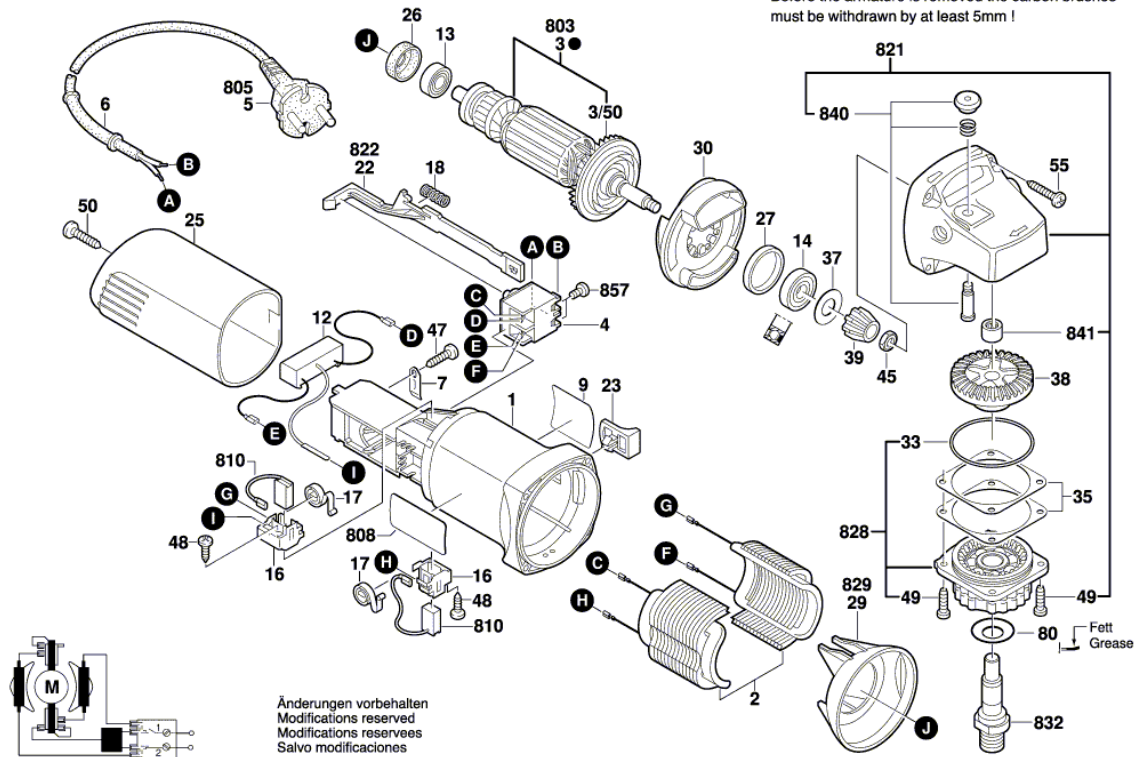
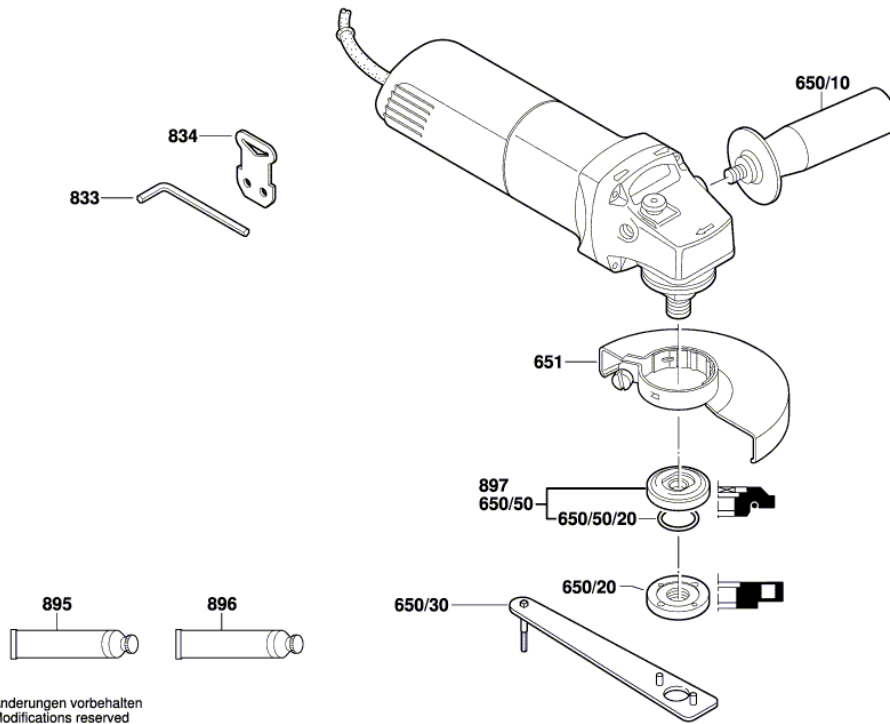


Illustration - Type - E

0 601 375 0V0
Stand | 15-06
Issue | 17-06-21 **Fig./Abb. 2**



Änderungen vorbehalten
Modifications reserved
Modificaciones reservadas
Salvo modificaciones