



BOSCH

Angle Grinder

GWS 6-125 | 0 601 375 143

Table of Content

Spare parts list.....	2
Illustration - Type.....	4

Spare parts list

Item	Part Number	Description
1	1 619 P09 772	Motor Housing
2	1 604 220 328	Field 220-240V
3	1 604 010 626	Armature 220-240V
3/50	1 606 610 141	Fan
4	1 607 200 146	Switch
5	1 604 460 263	Power supply cord H05 W-F CN 2,65m 2 x 0,75mm
6	2 600 703 012	Grommet Ø6,5-Ø6,9x95 MM
7	1 601 302 017	Fastening Clamp
9	2 609 130 612	Manufacturer's nameplate GWS 6-125
12	1 619 P07 647	Suppression Filter
13	2 600 905 032	Ball Bearing 7x19x6
14	1 619 P11 240	groove ball bearing
16	1 619 P01 811	Brush Holder
17	1 604 652 013	Spiral Spring
18	1 604 611 031	Compression Spring
22	1 602 319 009	Adjusting Slide
23	1 602 026 068	Switch Handle BLACK
25	1 605 500 194	Housing Cover BLUE
26	1 600 502 024	Intermediate Ring
27	1 600 206 025	Rubber Ring
29	1 600 591 023	Air-Deflector Ring
30	1 600 591 024	Air-Deflector Ring
33	1 600 210 041	O-Ring 42,0x1,1 MM
35	1 600 136 016	Shim 0,1 MM THICK
35	1 600 136 017	Shim 0,2 MM THICK
37	1 600 100 033	Cover Disc
38	2 609 110 150	Conversion Gear
39	2 609 110 149	Pinion
45	2 915 011 007	Hex Nut DIN 934-M6-8-A
47	2 609 110 052	Special Screw
48	1 619 P00 220	Torx Oval-Head Screw 3x10
49	1 603 435 068	Thread-forming tap. Screw DIN 7500, M4x10, SR10.2
50	2 910 611 020	Tapping Screw DIN 7981-ST3,9x19-C-H
55	2 910 611 022	Tapping Screw DIN 7981-ST3,9x25-C-H

Spare parts list

Item	Part Number	Description
80	1 619 P09 390	Cover Disc
808	1 619 P00 566	Nameplate
810	1 607 014 145	Carbon-Brush Set
821	1 605 806 466	Gear Housing
828	1 605 805 090	Bearing Flange BLACK
832	1 607 000 D6A	Grinding Spindle
840	1 607 000 298	Push-Button BLACK
841	1 600 910 018	Needle bearing Ø8xØ12x8 MM
650/10	1 602 025 09T	Auxiliary Handle
650/20	1 603 345 043	Round Nut M14
650/30	1 619 P08 927	Pin-Type Face-Wrench
650/50	2 605 703 014	Clamping Flange Ø22,3xØ42 MM
650/50/20	1 600 210 039	O-Ring 20,35x1,78 MM
651	1 605 510 250	Protective Cover Ø 125 MM

Illustration - Type - E

0 601 375 143
Stand 08-07
Issue 08-01-28

Fig./Abb. 1

Gerad - Verzahnung

- Vor Demontage des Ankers Kohlebürsten 5mm zurückziehen !
Before the armature is removed the carbon brushes must be withdrawn by at least 5mm !

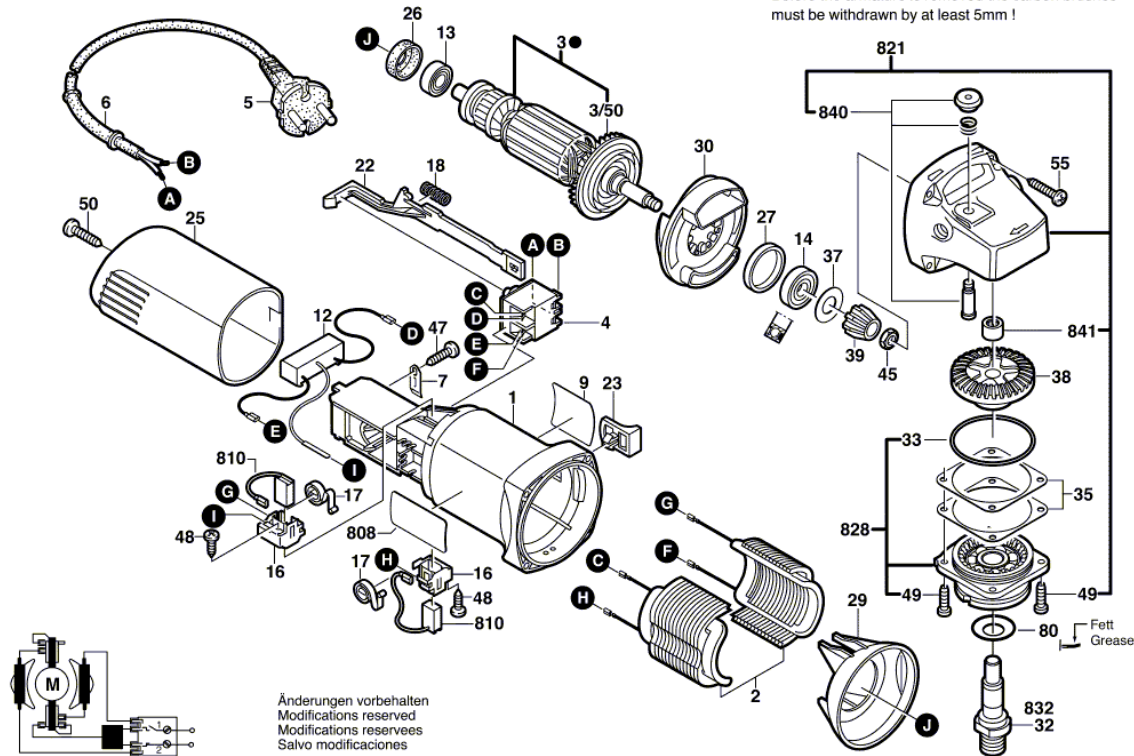
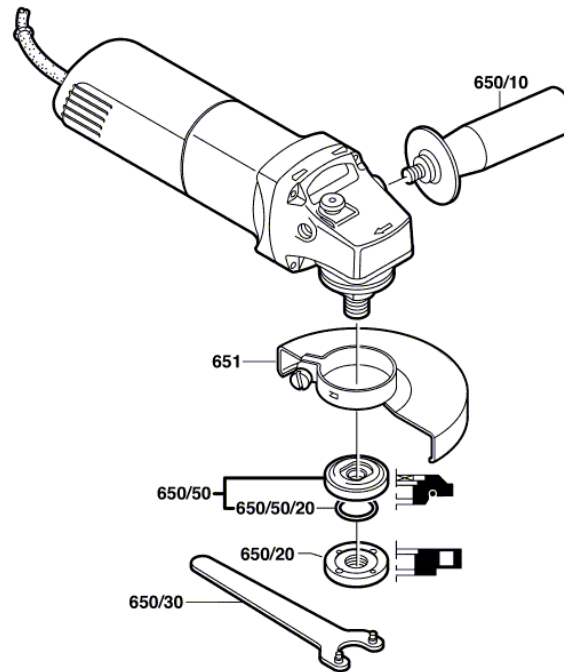


Illustration - Type - E

0 601 375 143
Stand } 00-11-28 **Fig./Abb. 2**
Issue }



Änderungen vorbehalten
Modifications reserved
Modificacions reserves
Salvo modificaciones