



BOSCH

Angle Grinder

GWS 580 | 0 601 376 143

Table of Content

Spare parts list.....	2
Illustration - Type.....	4

Spare parts list

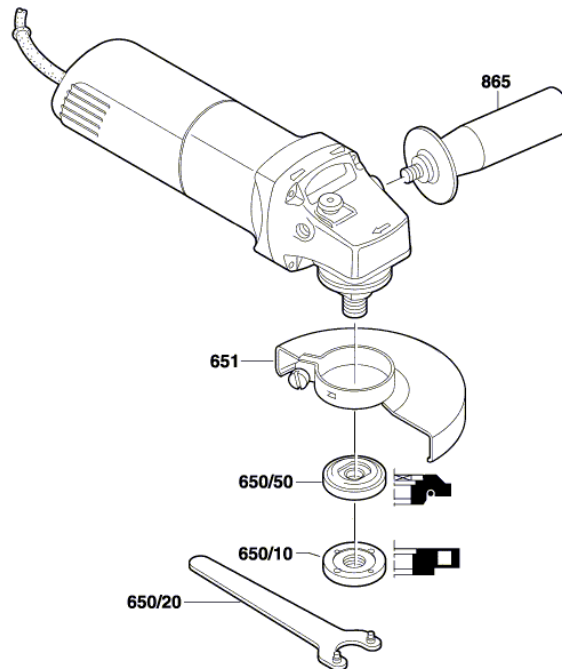
Item	Part Number	Description
1	1 619 P09 772	Motor Housing
3/50	1 606 610 141	Fan
4	1 607 200 179	On-Off Switch
5	1 604 460 263	Power supply cord CN 2,65m 2 x 0,75mm H05 W-F
6	2 600 703 012	Grommet Ø6,5-Ø6,9x95 MM
7	1 601 302 017	Fastening Clamp
9	2 609 130 614	Manufacturer's nameplate GWS 580
12	1 619 P07 647	Suppression Filter
13	2 600 905 032	Ball Bearing 7x19x6
14	1 619 P11 240	groove ball bearing
16	1 619 P01 811	Brush Holder
17	1 604 652 013	Spiral Spring
18	1 604 611 031	Compression Spring
22	1 602 319 009	Adjusting Slide
23	1 602 026 068	Switch Handle BLACK
25	1 605 500 194	Housing Cover BLUE
26	1 600 502 024	Intermediate Ring
27	1 600 206 025	Rubber Ring
29	1 600 591 023	Air-Deflector Ring
30	1 600 591 024	Air-Deflector Ring
32	1 603 523 111	Grinding Spindle M10, SW12
33	1 600 210 041	O-Ring 42,0x1,1 MM
35	1 600 136 016	Shim 0,1 MM THICK
35	1 600 136 017	Shim 0,2 MM THICK
37	1 600 100 033	Cover Disc
38	2 609 110 150	Conversion Gear
39	2 609 110 149	Pinion
45	2 915 011 007	Hex Nut DIN 934-M6-8-A
47	2 609 110 052	Special Screw
48	1 619 P00 220	Torx Oval-Head Screw 3x10
49	1 603 435 068	Thread-forming tap. Screw DIN 7500, M4x10, SR10.2
50	2 910 611 020	Tapping Screw DIN 7981-ST3,9x19-C-H
55	2 910 611 022	Tapping Screw DIN 7981-ST3,9x25-C-H
80	1 619 P09 390	Cover Disc

Spare parts list

Item	Part Number	Description
802	2 609 120 100	Field 230V
803	2 609 120 101	Armature 230V
808	1 619 P00 568	Nameplate
810	1 607 014 145	Carbon-Brush Set
821	1 605 806 466	Gear Housing
828	1 605 805 090	Bearing Flange BLACK
840	1 607 000 298	Push-Button BLACK
841	1 600 910 018	Needle bearing Ø8xØ12x8 MM
650/10	1 619 P09 976	Round Nut With 2 Holes
650/20	2 609 110 015	Pin-Type Face-Wrench
650/50	1 605 703 113	Clamping-Flange M10, 16-20 MM
651	2 609 110 177	Protective Guard Ø 100 MM
865	1 602 025 09T	Auxiliary Handle

Illustration - Type - E

0 601 376 043
Stand | 03-04
Issue | 03-07-23 **Fig. /Abb. 2**



Änderungen vorbehalten
Modifications reserved
Modificaciones reservadas
Salvo modificaciones