



BOSCH

Angle Grinder

GWS 24-180 LV | 3 601 H92 G80

Table of Content

Spare parts list.....	2
Illustration - Type.....	4

Angle Grinder | GWS 24-180 LV | 3 601 H92 G80

Spare parts list

Item	Part Number	Description
1	1 605 108 264	Motor Housing BLUE
2	1 604 220 57G	Field
5	1 604 460 255	Power supply cord CN 4,15m 2 x 1,5mm H07 RN-F
6	1 600 703 036	Grommet Ø10,5-Ø11,0x100 MM
7	1 601 302 018	Fastening Clamp
9	1 601 11C 283	Manufacturer's nameplate
13	1 600 905 034	groove ball bearing 9x26x8
14	1 600 905 035	groove ball bearing 12x37x12
23	1 605 500 266	Cover BLACK
24	1 605 132 19J	Handle
29	1 600 210 045	O-Ring 8,0x1,0 MM
30	1 600 591 041	Air Distributor
31	1 600 591 05U	Air-Deflector Ring
33	1 600 290 064	Rotary shaft lip seal 16 MM BLUE
38	1 600 206 037	Rubber Ring
43	1 605 500 264	Sealing cap BLACK
44	1 605 500 265	Sealing cap BLACK
50	1 602 388 036	Cable routing
51	1 600 200 031	Plain bearing Ø14 MM
53	1 605 190 068	Socket Housing
60	1 603 435 023	Thread-forming tap. Screw TT M5x18 MM
61	1 603 490 005	Torx Oval-Head Screw
63	1 603 410 014	Pan head screw M4x10 MM
64	2 603 490 021	Torx Oval-Head Screw 4x12
65	2 603 490 023	Torx Oval-Head Screw 4x20
66	2 910 211 019	Tapping Screw DIN 7971-ST3,9x16-F
68	1 601 006 011	Sealing Plate
75	1 600 290 060	Damper
76	1 603 414 025	Collar Screw
101	1 601 990 012	Catch Slide
102	1 604 616 022	Compression Spring
131	1 601 11C 284	Manufacturer's nameplate GWS 24-180 LVI
802	1 607 000 C4L	Assembly
803	1 604 011 298	Armature 230V

Angle Grinder | GWS 24-180 LV | 3 601 H92 G80

Spare parts list

Item	Part Number	Description		
804	1 607 000 971	Switch	BLACK	
808	1 601 106 940	Nameplate		
810	1 607 014 171	Carbon-Brush Set		
816	1 604 336 053	Brush Holder		
821	1 607 000 C17	Gear Housing		
835	1 606 610 150	Fan		
840	1 607 000 431	Push-Button		
846	1 607 000 432	Retaining Washer		
851	2 600 910 001	Needle-Roller Bearing	Ø14 MM	
28	1 600 210 033	O-Ring	79,0x1,78 MM	
32	1 600 290 019	Retaining snap ring		
34	1 600 190 020	Shim	0,15 MM	THICK
34	1 600 190 021	Shim	0,3 MM	THICK
34	1 600 190 022	Shim	0,1 MM	THICK
34	1 600 190 037	Shim	0,2 MM	THICK
34	1 600 190 038	Shim	0,25 MM	THICK
34	1 600 190 039	Shim	0,35 MM	THICK
34	1 600 190 040	Shim	0,4 MM	THICK
35	1 600 205 034	Felt Washer		
37	1 600 290 036	Seal Ring	BLACK	
45	1 603 300 019	Hex Nut	M10, SW14	
69	2 916 650 905	Spring retaining ring		
822	1 607 000 CP1	Bearing Flange		
823	1 605 808 0CX	Bearing Flange		
825	1 607 000 CU5	Grinding Spindle		
826	1 600 A02 4YV	Bevel Gear Set		
651	1 600 A01 R95	Protective Cover	Ø180 MM	
660	1 602 025 051	Auxiliary Handle	M14	BLACK
890	1 600 210 039	O-Ring	20,35x1,78 MM	
891	1 602 025 0A1	Auxiliary Handle		
892	1 607 950 061	Pin-Type Face-Wrench		
893	2 605 703 014	Clamping Flange	Ø22,3xØ42 MM	
894	1 603 345 043	Round Nut	M14	
896	1 600 A01 6PP	Fast Locking Flange		

Illustration - Type - E

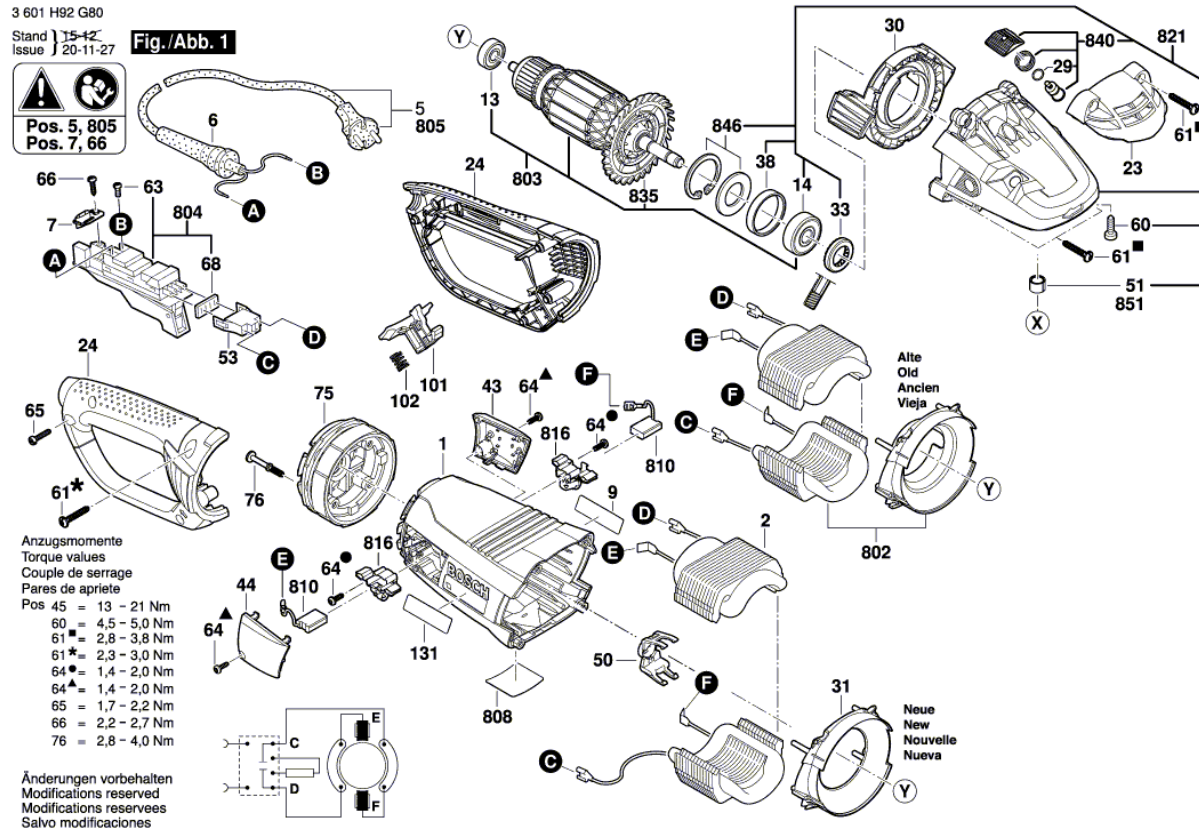
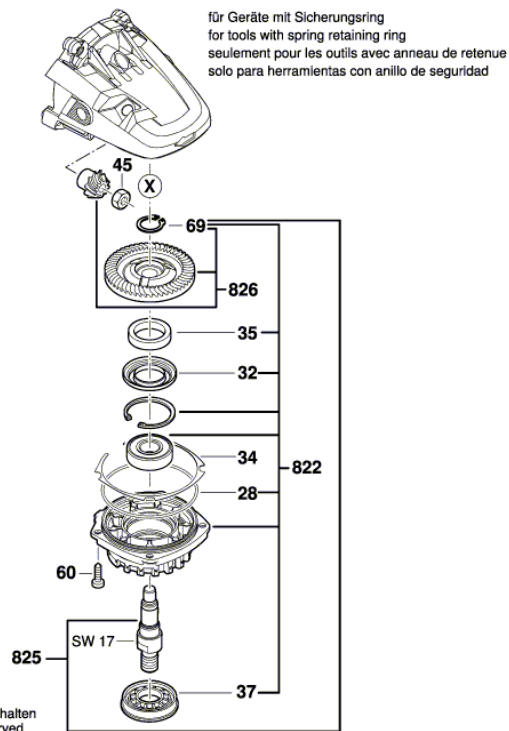


Illustration - Type - E

3 601 H92 G80
 Stand } 20-12-01
 Issue } **Fig./Abb. 2**



Änderungen vorbehalten
 Modifications reserved
 Modifications reserves
 Salvo modificaciones

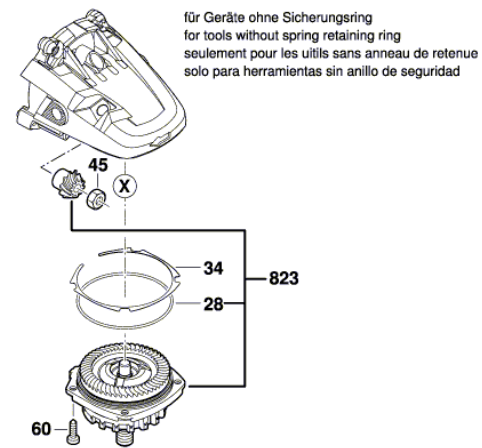
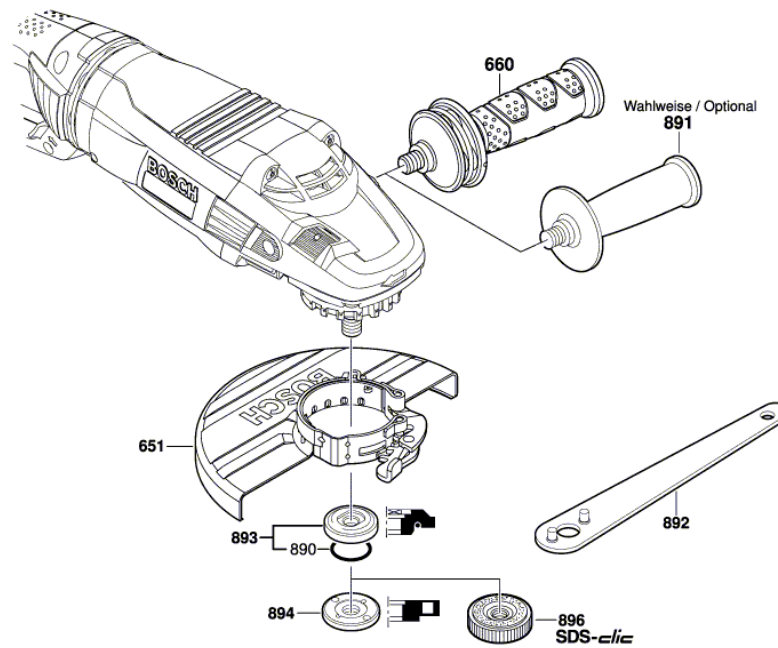


Illustration - Type - E

3 601 H92 G80
Stand } 20-11-27
Issue } **Fig./Abb. 3**



Änderungen vorbehalten
Modifications reserved
Modificaciones reservadas
Salvo modificaciones