



BOSCH

Angle Grinder

GWS 23-180 | 0 601 753 043

Table of Content

Spare parts list.....	2
Illustration - Type.....	5

Spare parts list

Item	Part Number	Description			
1	1 605 108 190	Motor Housing	BLUE		
2	1 604 220 57K	Field			
3/50	1 600 A00 J93	Fan			
5	1 604 460 255	Power supply cord	CN 4,15m 2 x 1,5mm		
		H07 RN-F			
6	1 600 703 023	Grommet	Ø 10,5-Ø11,0x100 MM		
7	1 601 302 018	Fastening Clamp			
9	1 601 118 687	Manufacturer's nameplate			
13	1 600 905 011	groove ball bearing	8x22x7		
23	1 618 B00 802	Sealing cap			
24	1 605 132 130	Handle	BLUE		
25	1 603 123 05U	Grinding Spindle			
26	1 606 333 618	Crown Gear	Z=53		
27	1 606 333 237	Bevel Gear	Z=17		
28	1 600 210 033	O-Ring	79,0x1,78 MM		
29	1 600 210 034	O-Ring	4,0x1,0 MM		
30	1 600 591 029	Air Distributor			
31	1 600 591 075	Air-Deflector Ring			
32	1 600 290 019	Retaining snap ring			
33	1 600 290 013	Rotary shaft lip seal	18,7 MM	RED	
34	1 600 190 020	Shim	0,15 MM	THICK	
34	1 600 190 021	Shim	0,3 MM	THICK	
34	1 600 190 022	Shim	0,1 MM	THICK	
35	1 600 205 034	Felt Washer			
37	1 600 290 036	Seal Ring	BLACK		
38	1 600 206 020	Rubber Ring	7 MM	WIDE	
39	1 600 206 030	Rubber Ring			
45	1 603 300 019	Hex Nut	M10, SW14		
51	1 600 200 031	Plain bearing	Ø14 MM		
53	1 605 190 068	Socket Housing			
60	1 603 435 023	Thread-forming tap. Screw	TT M5x18 MM		
61	2 912 401 038	Tapping Screw	DIN 7981-4,8x38-C-Z-ST		
63	1 603 410 014	Pan head screw	M4x10 MM		
64	1 603 435 042	Plastic-Cutting Screw	St3,9x12		
65	2 912 401 020	Tapping Screw	DIN 7981-3,9x19-C-Z-ST		

Spare parts list

Item	Part Number	Description		
66	2 910 211 019	Tapping Screw	DIN 7971-ST3,9x16-F	
68	1 601 006 011	Sealing Plate		
101	1 601 990 004	Catch Slide		
102	1 604 616 022	Compression Spring		
103	1 602 388 035	Cable routing		
180	1 611 110 855	Sticker		
803	1 604 010 BC1	Armature		
804	1 607 000 967	Switch	BLACK	
808	1 601 11A 3H3	Nameplate		
810	1 607 014 171	Carbon-Brush Set		
814	1 600 905 023	groove ball bearing	10x35x11	
816	1 604 336 048	Brush Holder		
821	1 607 000 968	Gear Housing		
822	1 607 000 986	Bearing Flange	Ø180 MM	
840	1 607 000 206	Push-Button	BLACK	
846	1 607 000 342	Retaining Washer		
851	2 600 910 001	Needle-Roller Bearing	Ø14 MM	
650/30/20	1 600 210 039	O-Ring	20,35x1,78 MM	
700	1 607 000 250	Parts Set	Ø180 MM	
700/10	1 605 510 222	Protective Cover	Ø180 MM	
700/20/30	2 910 281 244	Round-Head Bolt	DIN 603-M 8x25	
700/20/40	2 915 191 007	Wing Nut	DIN 315-M8-GT-C	
700/20/60	1 604 643 003	Compression Spring		
701	1 608 135 003	Guide Block		
702	1 605 510 179	Suction Hood	Ø180 MM	
703	1 607 000 247	Strap-Shaped Handle		
703/11	2 603 450 007	Hex Screw	M14x16x1,5 MM	
704	1 605 510 181	Protective Cover	Ø110 MM	
730	1 608 601 006	Backing Pad	Ø180 MM	
730/20	1 603 345 004	Round Nut	M14	
730/30	2 916 011 022	Plain Washer	DIN 125-A15-ST	
740	1 601 329 013	Protecting Cover		
750/10	2 602 025 075	Auxiliary Handle	M14x1,5 MM	BLACK
750/20	1 607 950 048	Pin-Type Face-Wrench		
750/30	1 605 703 099	Clamping-Flange	Ø22,2x42 MM	

Spare parts list

Item	Part Number	Description
750/40	1 603 345 043	Round Nut M14
752	1 600 A01 6PP	Fast Locking Flange
763	1 600 793 007	Suction Bend Ø 35 MM
764	1 607 950 004	Pin-Type Face-Wrench

Illustration - Type - E

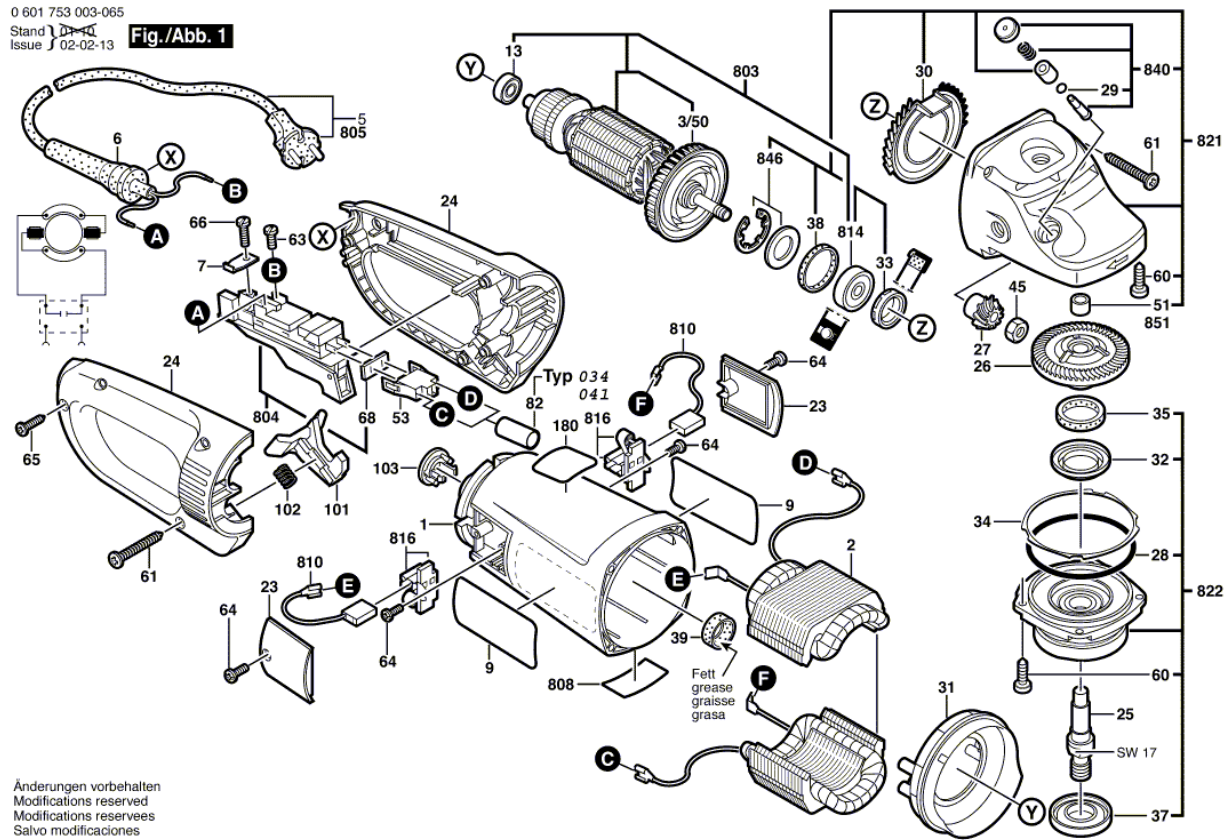
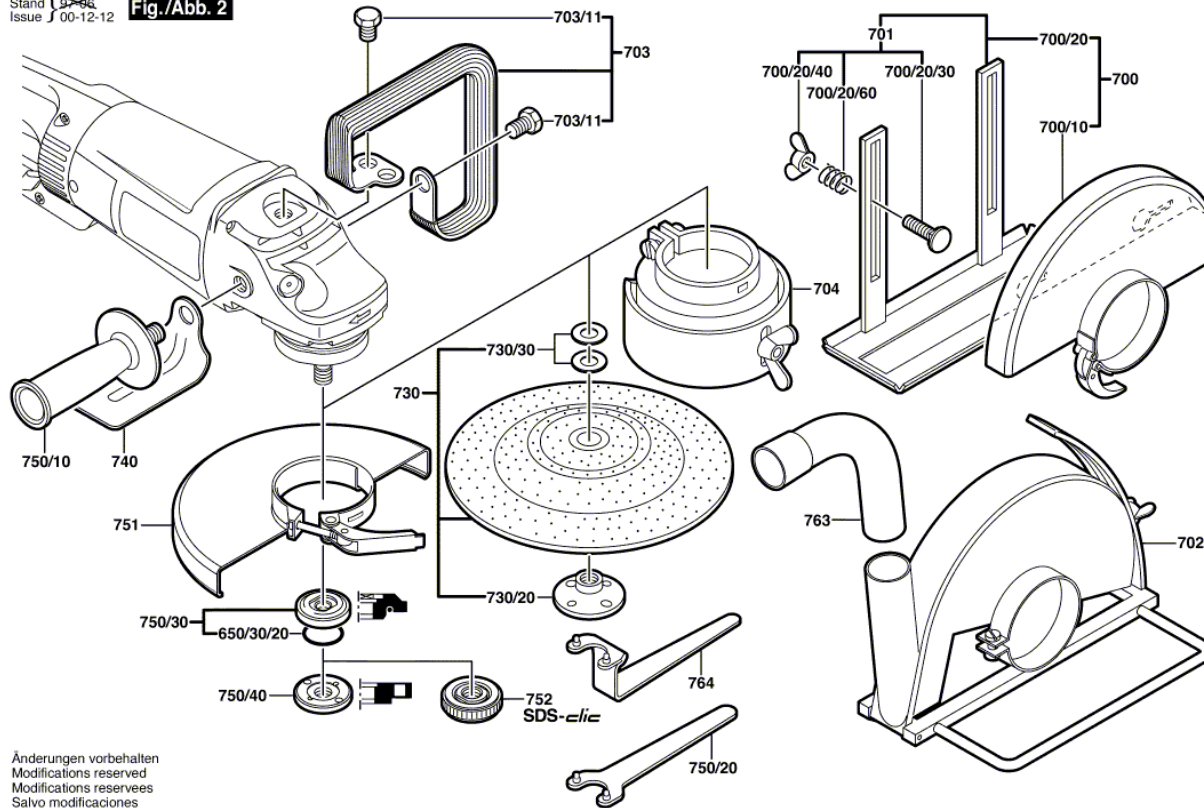


Illustration - Type - E

0 601 753 003-065
 Stand 13-16
 Issue 00-12-12

Fig./Abb. 2



Änderungen vorbehalten
 Modifications reserved
 Modificaciones reservées
 Salvo modificaciones