



**BOSCH**

# Angle Grinder

GWS 20-180 H | 0 601 849 043

---

## Table of Content

Spare parts list.....	2
Illustration - Type.....	4

# Angle Grinder | GWS 20-180 H | 0 601 849 043

## Spare parts list

Item	Part Number	Description
1	1 605 108 233	Motor Housing BLUE
2	1 604 220 380	Field 220-240V
5	1 604 460 255	Power supply cord CN 4,15m 2 x 1,5mm H07 RN-F
6	1 600 703 023	Grommet Ø 10,5-Ø11,0x100 MM
7	1 601 302 018	Fastening Clamp
9	1 601 118 E66	Manufacturer's nameplate
23	1 605 500 233	Sealing cap BLUE
24	1 605 132 140	Handle BLUE
25	1 603 123 05U	Grinding Spindle
28	1 600 210 033	O-Ring 79,0x1,78 MM
29	1 600 210 045	O-Ring 8,0x1,0 MM
30	1 600 591 035	Air Distributor
31	1 619 P17 209	Air-Deflector Ring
32	1 600 290 019	Retaining snap ring
33	1 600 290 013	Rotary shaft lip seal 18,7 MM RED
34	1 600 190 020	Shim 0,15 MM THICK
34	1 600 190 021	Shim 0,3 MM THICK
34	1 600 190 022	Shim 0,1 MM THICK
34	1 600 190 037	Shim 0,2 MM THICK
34	1 600 190 038	Shim 0,25 MM THICK
34	1 600 190 039	Shim 0,35 MM THICK
34	1 600 190 040	Shim 0,4 MM THICK
35	1 600 205 034	Felt Washer
37	1 600 290 036	Seal Ring BLACK
38	1 600 206 020	Rubber Ring 7 MM WIDE
39	1 600 206 030	Rubber Ring
45	1 603 300 019	Hex Nut M10, SW14
51	1 600 200 031	Plain bearing Ø14 MM
53	1 605 190 068	Socket Housing
60	1 603 435 023	Thread-forming tap. Screw TT M5x18 MM
61	2 912 401 038	Tapping Screw DIN 7981-4,8x38-C-Z-ST
62	1 603 435 024	Tapping Screw C4,8x63 MM
63	1 603 410 014	Pan head screw M4x10 MM
64	1 603 435 042	Plastic-Cutting Screw St3,9x12

Spare parts list

Item	Part Number	Description
65	2 912 401 020	Tapping Screw    DIN 7981-3,9x19-C-Z-ST
66	2 910 211 019	Tapping Screw    DIN 7971-ST3,9x16-F
68	1 601 006 011	Sealing Plate
180	1 611 110 855	Sticker
803	1 604 011 252	Armature    220-240V
804	1 607 000 967	Switch    BLACK
808	1 601 11A 3H3	Nameplate
810	1 607 014 171	Carbon-Brush Set
813	1 600 905 011	groove ball bearing    8x22x7
814	1 600 905 028	groove ball bearing
816	1 604 336 048	Brush Holder
821	1 607 000 C00	Gear Housing
822	1 607 000 986	Bearing Flange    Ø180 MM
826	1 619 P02 775	Bevel Gear Set
835	1 606 610 127	Fan
840	1 607 000 354	Push-Button
846	1 607 000 342	Retaining Washer
851	2 600 910 001	Needle-Roller Bearing    Ø14 MM
651	1 605 510 176	Protective Cover    Ø180 MM
890	1 600 210 039	O-Ring    20,35x1,78 MM
891	1 602 025 09Z	Auxiliary Handle
891	1 602 025 0A1	Auxiliary Handle
892	1 607 950 061	Pin-Type Face-Wrench
893	2 605 703 014	Clamping Flange    Ø22,3xØ42 MM
894	1 603 345 043	Round Nut    M14
896	1 600 A01 6PP	Fast Locking Flange

Illustration - Type - E

0 601 849 043  
 Stand | DE-ET  
 Issue | 02-07-31

Fig./Abb. 1

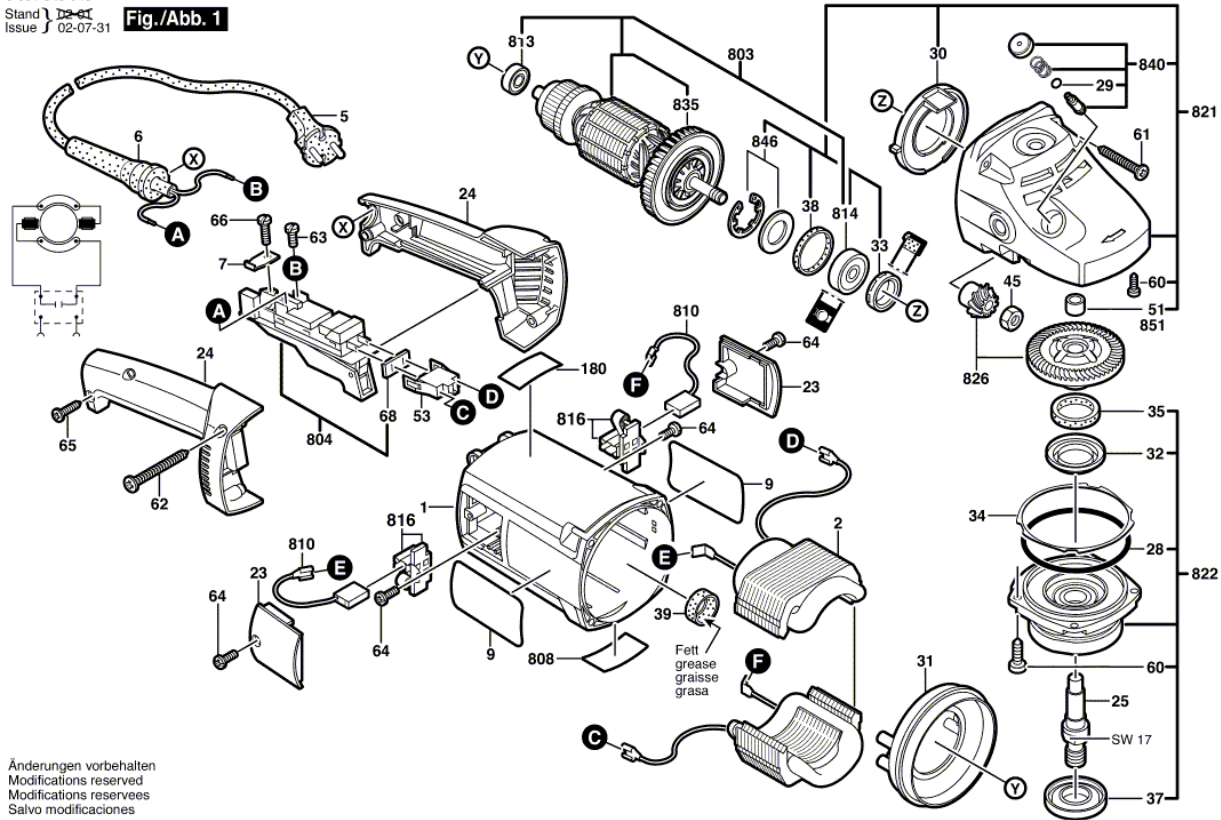
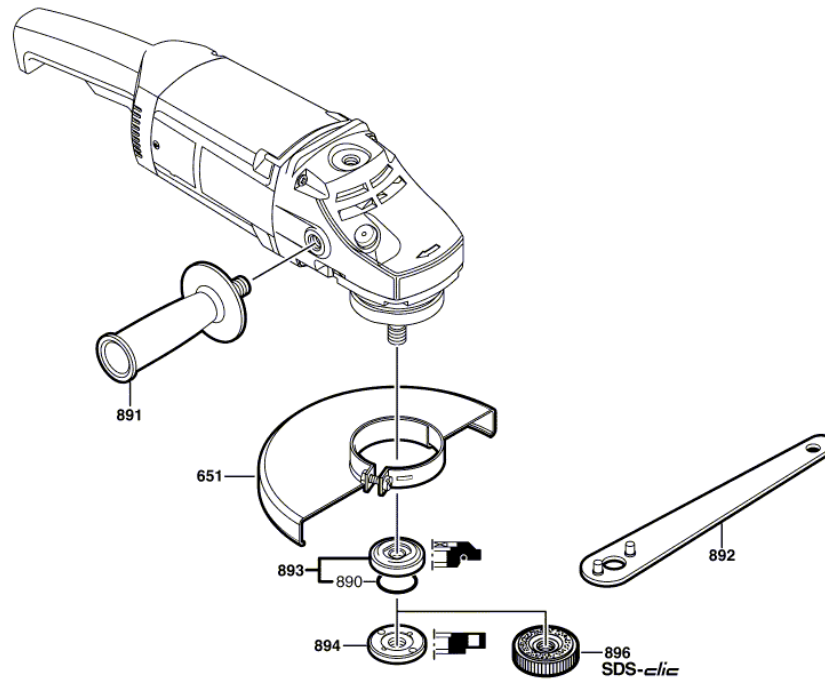


Illustration - Type - E

0 601 849 043  
Stand } 01-07-23  
Issue } **Fig./Abb. 2**



Änderungen vorbehalten  
Modifications reserved  
Modificaciones reservadas  
Salvo modificaciones